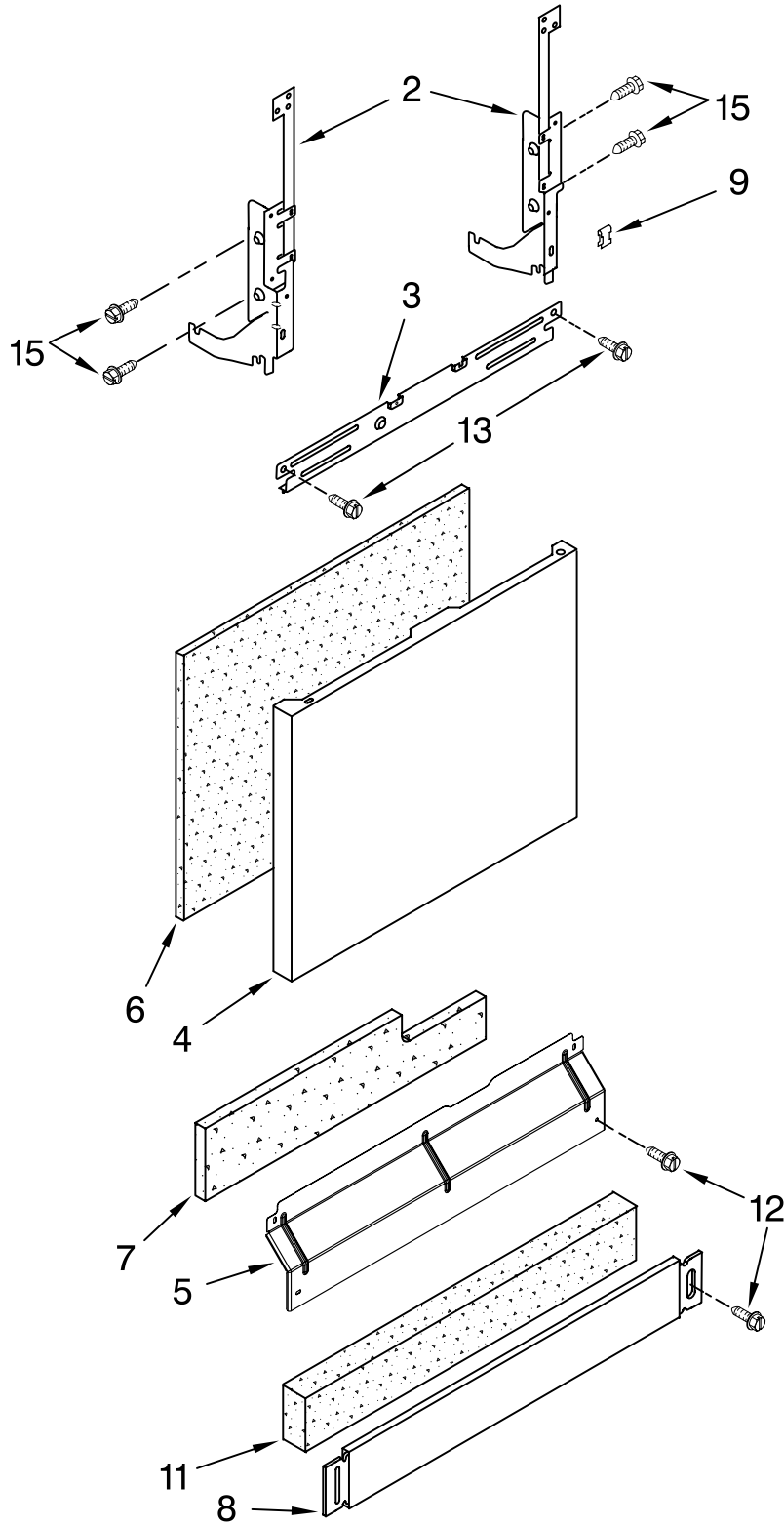




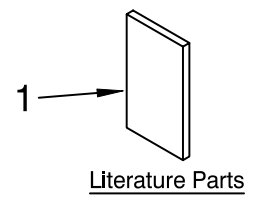
# DOOR AND PANEL PARTS

For Models: GU2200XTSB2, GU2200XTSQ2, GU2200XTSS2  
(Black) (White) (Stainless)

UNDERCOUNTER  
DISHWASHER

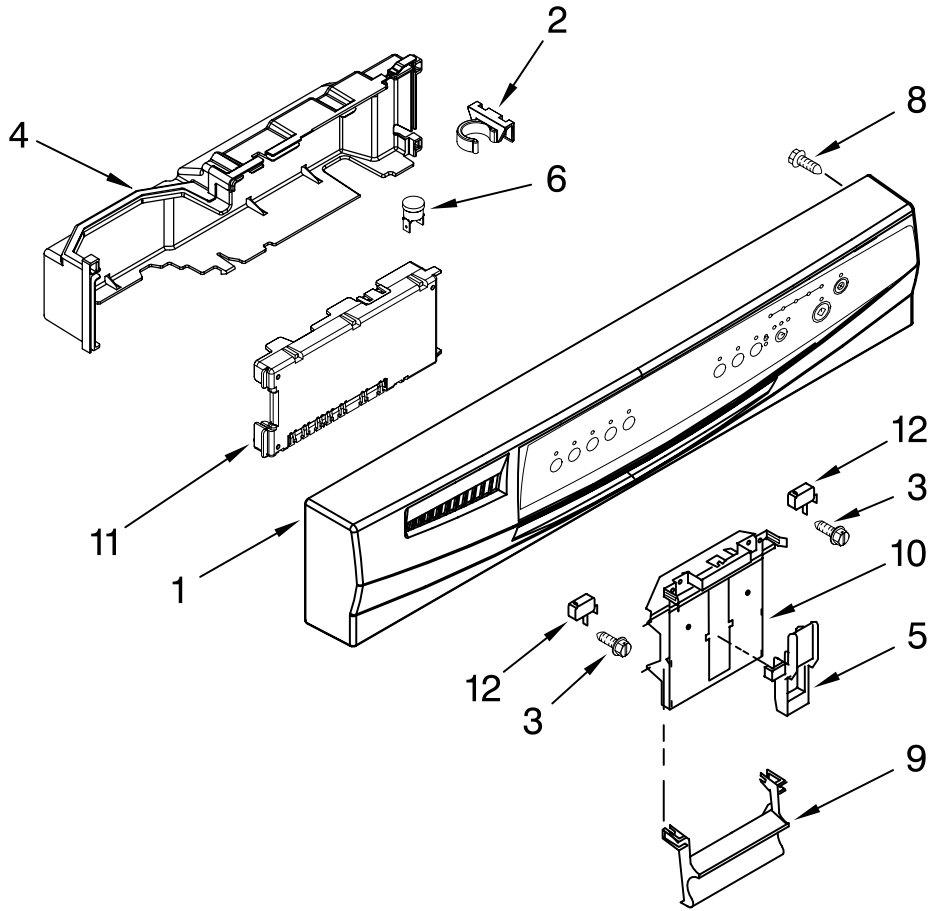


Illus. No.	Part No.	DESCRIPTION
1	8575348	Literature Parts Instructions, Installation
	W10102784	Energy Guide
	8575899	Guide, Use & Care Tech Sheet
	W10082651	English/French
2		Arm, Hinge
	8534858	Left
	8534857	Right
3	8268983	Stiffener, Door
4		Panel Front
	W10073200	Black
	W10073210	White
	8269845	Stainless
5		Access Panel (Includes Item 7)
	8558260	Black
	8558261	White
6	8268580	Insulation, Door
7	8542578	Insulation, Access Panel
8		Toe Panel (Includes Item 11)
	8558252	Black
	8558253	White
9	8269740	Clip, Grounding
11	8268581	Insulation, Toe Panel
12		Screw
	302868	Black
	3400836	White
13	343641	Screw
15	489470	Screw



# CONTROL PANEL PARTS

For Models: GU2200XTSB2, GU2200XTSQ2, GU2200XTSS2  
 (Black) (White) (Stainless)

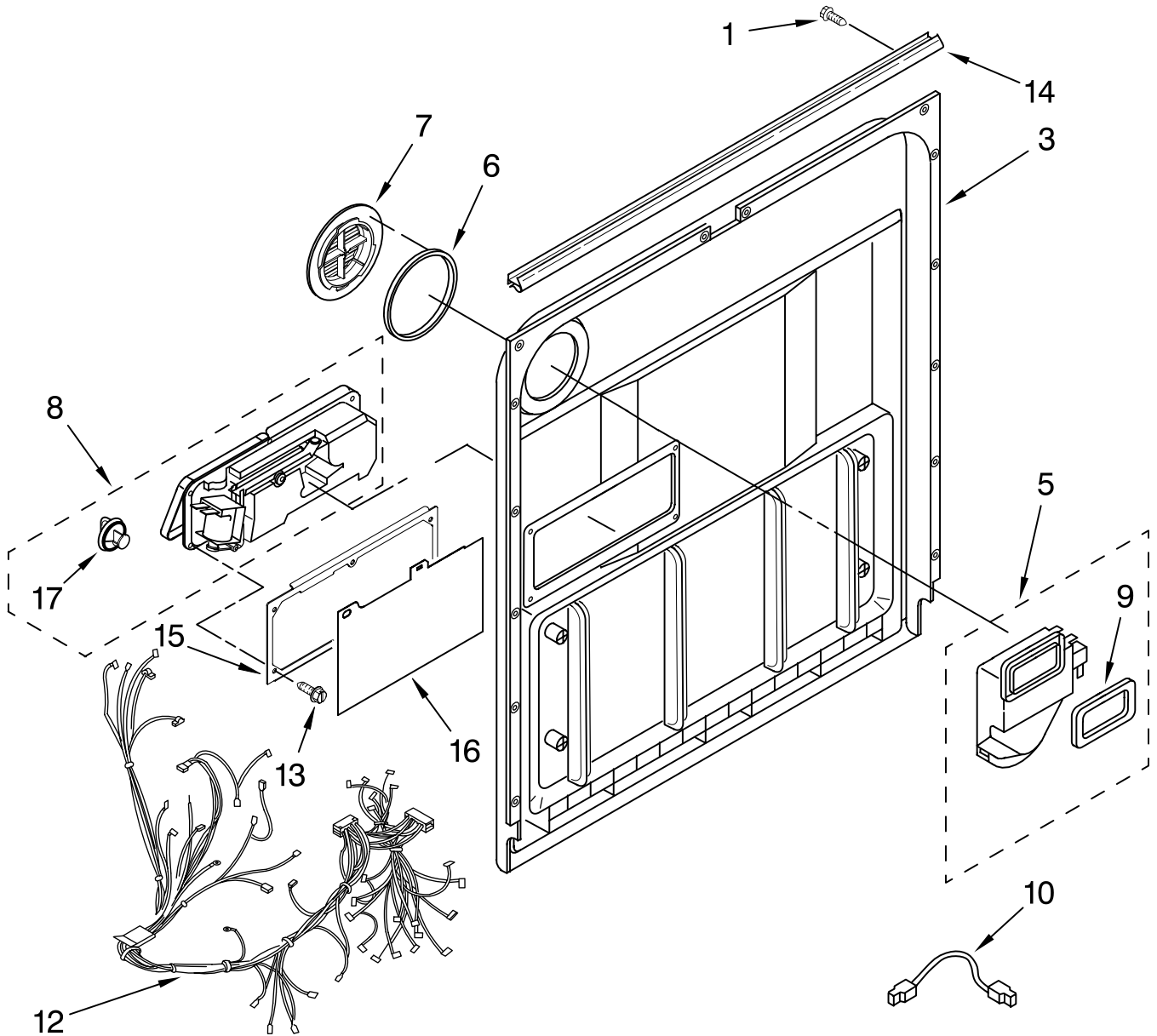


Illus. No.	Part No.	DESCRIPTION
1		Console Asm. Includes Active Overlay & Insert
	W10102861	Black
	W10102862	White
2	8546546	Clip, BI-Metal
3	3400412	Screw
4	W10056090	Cover Control Shield Assembly
5	8524471	Actuator, Latch
6	661663	BI-Metal
8	3369051	Screw (6)
9		Handle, Latch
	8534984	Black
	8534985	White
10	8524476	Bolt, Latch
11	8575277	Control, Electronic
12	8269209	Switch, Door

FOR ORDERING INFORMATION REFER TO PARTS PRICE LIST

# DOOR AND LATCH PARTS

For Models: GU2200XTSB2, GU2200XTSQ2, GU2200XTSS2  
(Black) (White) (Stainless)



Illus. No.	Part No.	DESCRIPTION
1	3369051	Screw, Door
3	8575895	Inner Door (Also Order Item 6)
5	8572583	Vent Assembly (Also Order Item 6)
6	8269259	Gasket, Vent

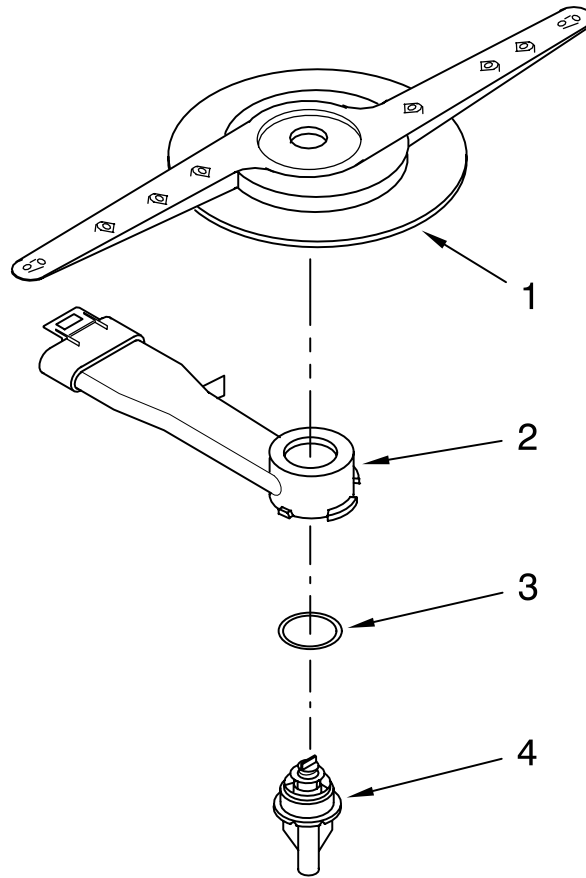
Illus. No.	Part No.	DESCRIPTION
7	8575893	Deflector, Vent (Also Order Item 6)
8	8565815	Dispenser, Assembly (Includes Items 2 & 17)
9	8269258	Seal, Front
10	8545608	Harness, Vent Motor

Illus. No.	Part No.	DESCRIPTION
12	8573175	Wiring Harness Main
13	8281154	Screw
14	8269296	Seal, Console/door
15	8535637	Bracket, Dispenser
16	8531865	Shield, Dispenser
17	8558307	Cap, Rinse Aid

FOR ORDERING INFORMATION REFER TO PARTS PRICE LIST

# LOWER WASHARM PARTS

For Models: GU2200XTSB2, GU2200XTSQ2, GU2200XTSS2  
(Black) (White) (Stainless)

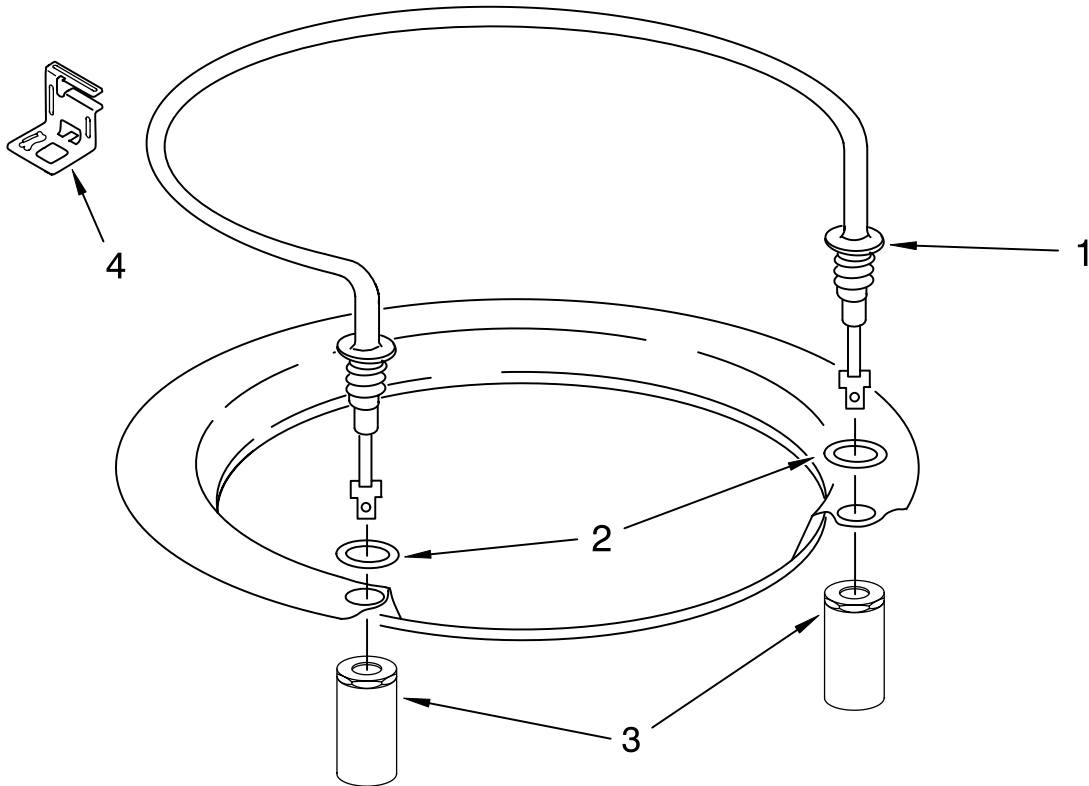


Illus. No.	Part No.	DESCRIPTION
1	8268333	Wash Arm Assembly
2	8268343	Cap, Internal Rear Feed (Also Order Item 3)
3	8268340	Seal, Sprayarm
4	8268342	Hub, Lower Sprayarm (Also Order Item 3)

FOR ORDERING INFORMATION REFER TO PARTS PRICE LIST

# HEATER PARTS

For Models: GU2200XTSB2, GU2200XTSQ2, GU2200XTSS2  
(Black) (White) (Stainless)



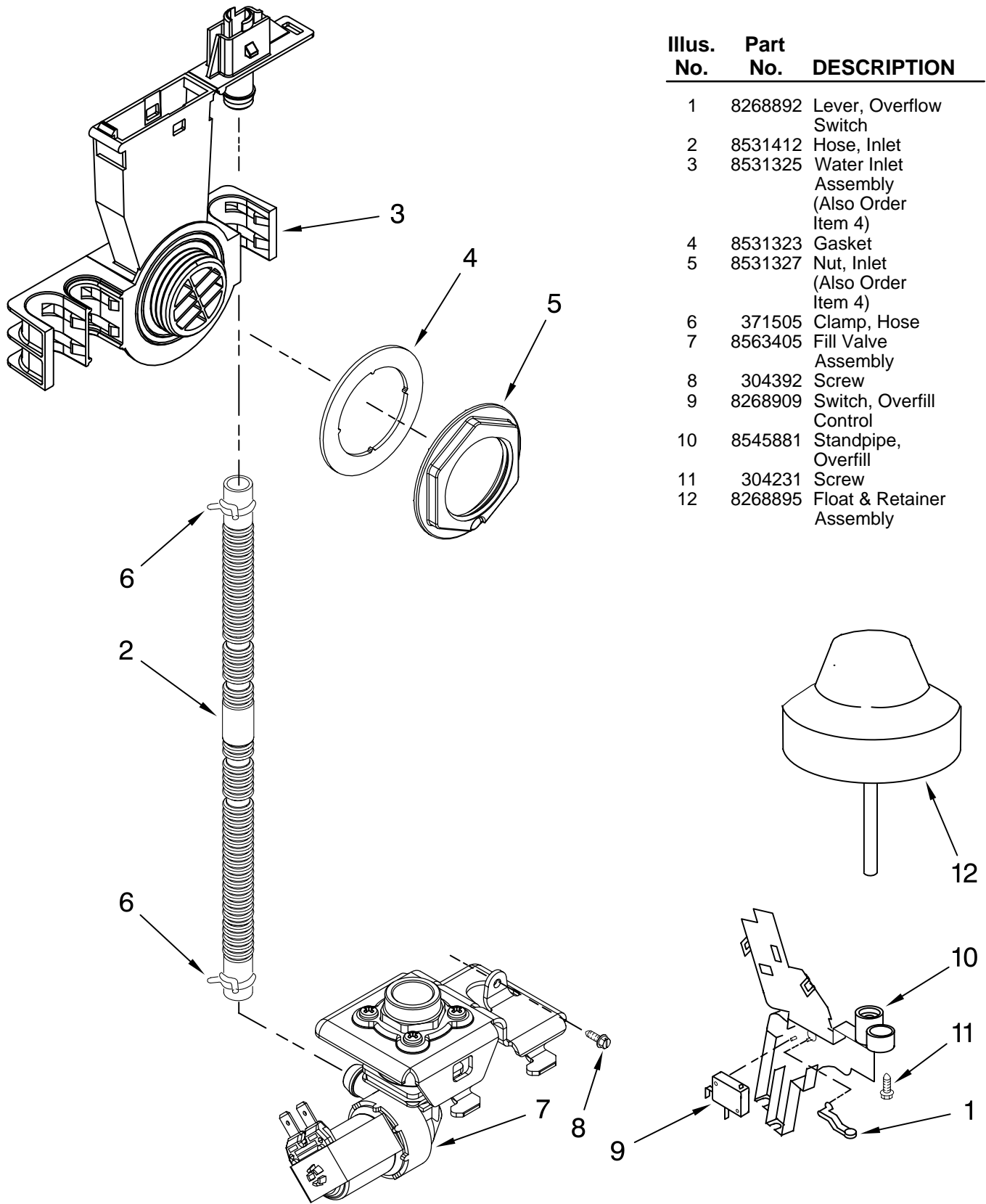
Illus. No.	Part No.	DESCRIPTION
1	8563007	Heater Element Assembly (Also Includes Item 2)
2	717273	Washer, Heater Element
3	8268548	Nut, Heater Element
4	8269262	Bracket, Heater Support

**NOTE:** If heater element is removed, it must be replaced.

FOR ORDERING INFORMATION REFER TO PARTS PRICE LIST

# FILL AND OVERFILL PARTS

For Models: GU2200XTSB2, GU2200XTSQ2, GU2200XTSS2  
(Black) (White) (Stainless)

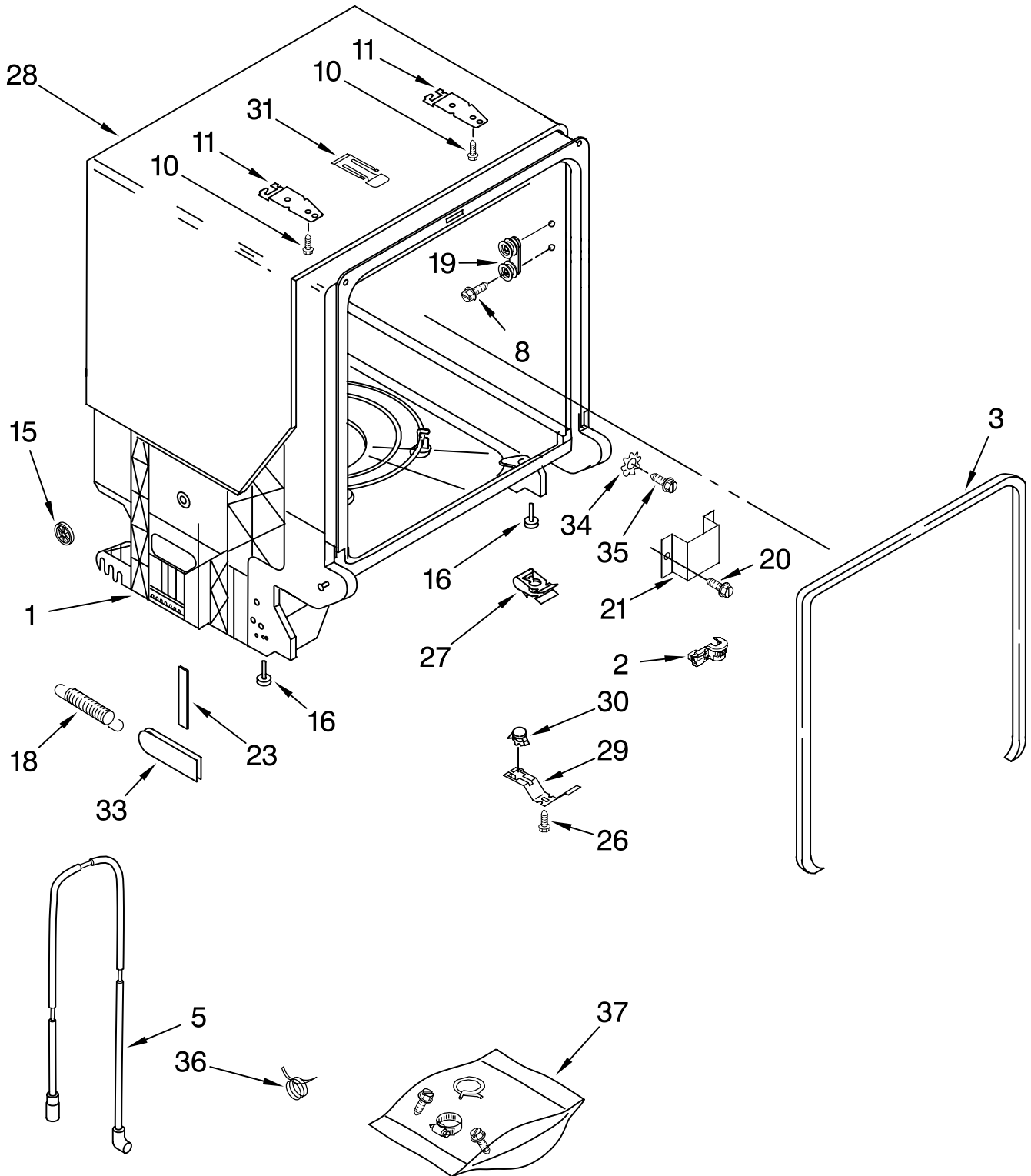


Illus. No.	Part No.	DESCRIPTION
1	8268892	Lever, Overflow Switch
2	8531412	Hose, Inlet
3	8531325	Water Inlet Assembly (Also Order Item 4)
4	8531323	Gasket
5	8531327	Nut, Inlet (Also Order Item 4)
6	371505	Clamp, Hose
7	8563405	Fill Valve Assembly
8	304392	Screw
9	8268909	Switch, Overflow Control
10	8545881	Standpipe, Overflow
11	304231	Screw
12	8268895	Float & Retainer Assembly

FOR ORDERING INFORMATION REFER TO PARTS PRICE LIST

# TUB AND FRAME PARTS

For Models: GU2200XTSB2, GU2200XTSQ2, GU2200XTSS2  
(Black) (White) (Stainless)



FOR ORDERING INFORMATION REFER TO PARTS PRICE LIST

# TUB AND FRAME PARTS

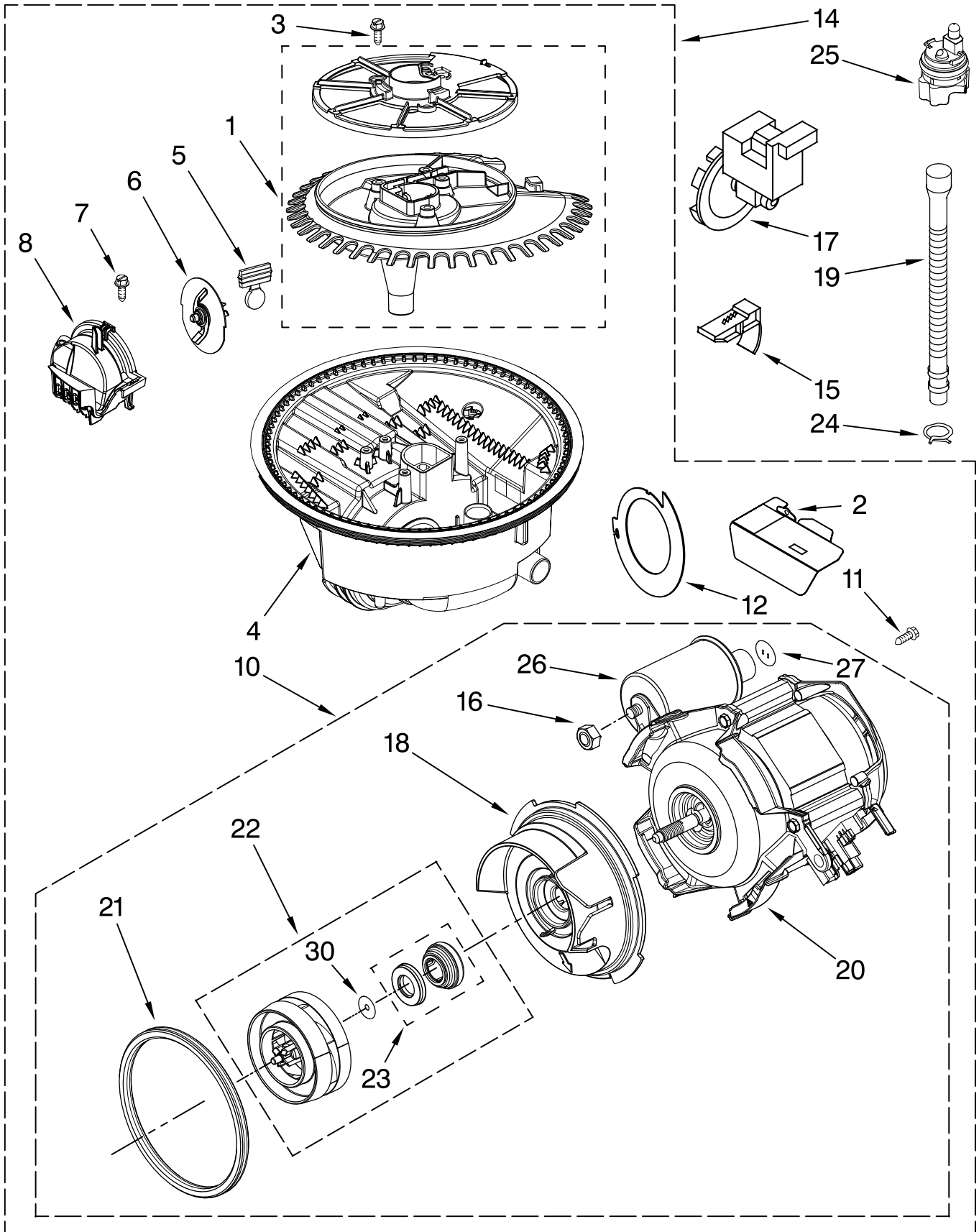
For Models: GU2200XTSB2, GU2200XTSQ2, GU2200XTSS2  
 (Black) (White) (Stainless)

<b>Illus. No.</b>	<b>Part No.</b>	<b>DESCRIPTION</b>
1	8575978	Tub Assembly
2	8573061	Strain Relief
3	8268888	Door Seal
5	8531022	Drain Loop With Check Valve
8	8533836	Screw (8)
10	3400850	Screw
11	8269145	Bracket, Undercounter
15	8269831	Wheel Leg
16	8524584	Leveler, Leg
18	8524473	Spring, Door Balance
19	8575897	Wheel & Mount Assembly
20	3400892	Screw
21	8268991	Cover, Terminal Box
23	8268961	Pad, Friction
26	304231	Screw
27	8269016	Clip, Grounding
28	8573241	Shield, Sound Tub
29	3378595	Bracket, Thermostat
30	661566	Thermostat
31	8580309	Strike, Latch
33	8268990	Bushing, Door Spring
34	3378128	Washer
35	3400014	Screw
36	356138	Clamp, Hose
37	8269297	Miscellaneous Parts Bag (Includes 2 Screws & 2 Hose Clamps)



# PUMP AND MOTOR PARTS

For Models: GU2200XTSB2, GU2200XTSQ2, GU2200XTSS2  
 (Black) (White) (Stainless)



FOR ORDERING INFORMATION REFER TO PARTS PRICE LIST

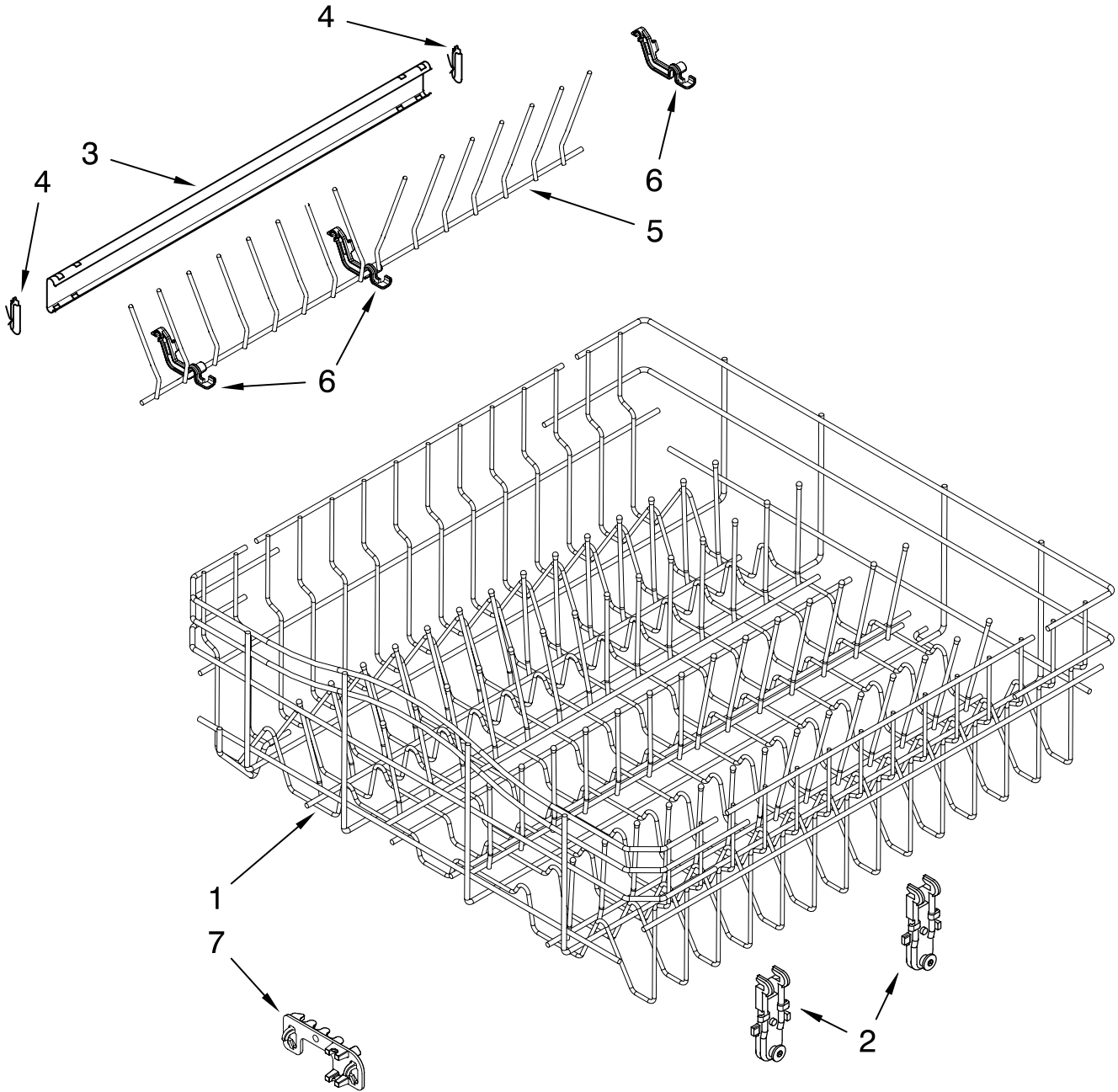
# PUMP AND MOTOR PARTS

For Models: GU2200XTSB2, GU2200XTSQ2, GU2200XTSS2  
 (Black) (White) (Stainless)

Illus. No.	Part No.	DESCRIPTION
1	8534952	Accumulator Assy
2	8283527	Shield, Motor
3	3400069	Screw
4	8572618	Sump With Seal
5	8268375	Check Valve, Sump
6	8268383	Chopper Assembly
7	9741232	Screw
8	8531857	Protector, Inlet
10	8534942	Motor Assembly
11	3400217	Screw
12	8268391	Screen, Separation
14	8572615	Sump & Motor Assembly
15	8269524	Tab, Sump
16	8533949	Nut
17	661662	Pump, Drain
18	8531019	Volute, Back (Also Order Item 23)
19	8269144	Hose, Drain
20	8534941	Motor
21	8268397	Seal, Volute
22	8531017	Impeller Kit
23	8268403	Face Seal Assembly
24	356138	Clamp, Hose
25	W10082647	Optical Water Indicator
26	8269507	Capacitor
27	8534946	Shield, Capacitor
30	8531018	Washer

# UPPER RACK AND TRACK PARTS

For Models: GU2200XTSB2, GU2200XTSQ2, GU2200XTSS2  
 (Black) (White) (Stainless)



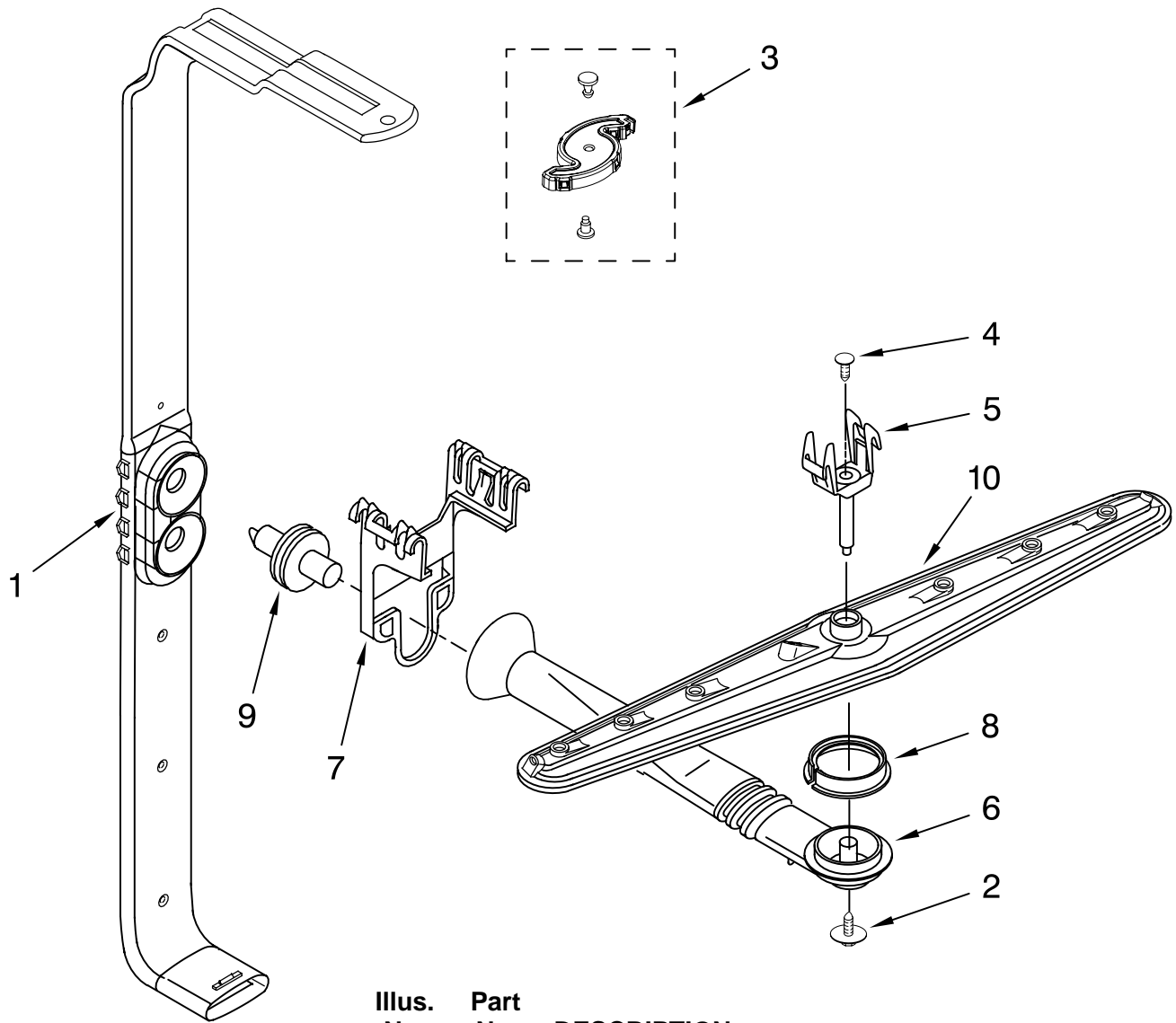
Illus. No.	Part No.	DESCRIPTION
------------	----------	-------------

- |   |         |                         |
|---|---------|-------------------------|
| 1 | 8539235 | Dishrack, Upper         |
| 2 | 8268743 | Mount, Wheel Adjustable |
| 3 | 3385089 | Track, Rack             |
| 4 | 8565925 | Stop Track              |
| 5 | 9744566 | Tine Row                |
| 6 | 8539190 | Clip, Pivot             |
| 7 | 8539119 | Positioner, Dual        |

FOR ORDERING INFORMATION REFER TO PARTS PRICE LIST

# UPPER WASH AND RINSE PARTS

For Models: GU2200XTSB2, GU2200XTSQ2, GU2200XTSS2  
(Black) (White) (Stainless)

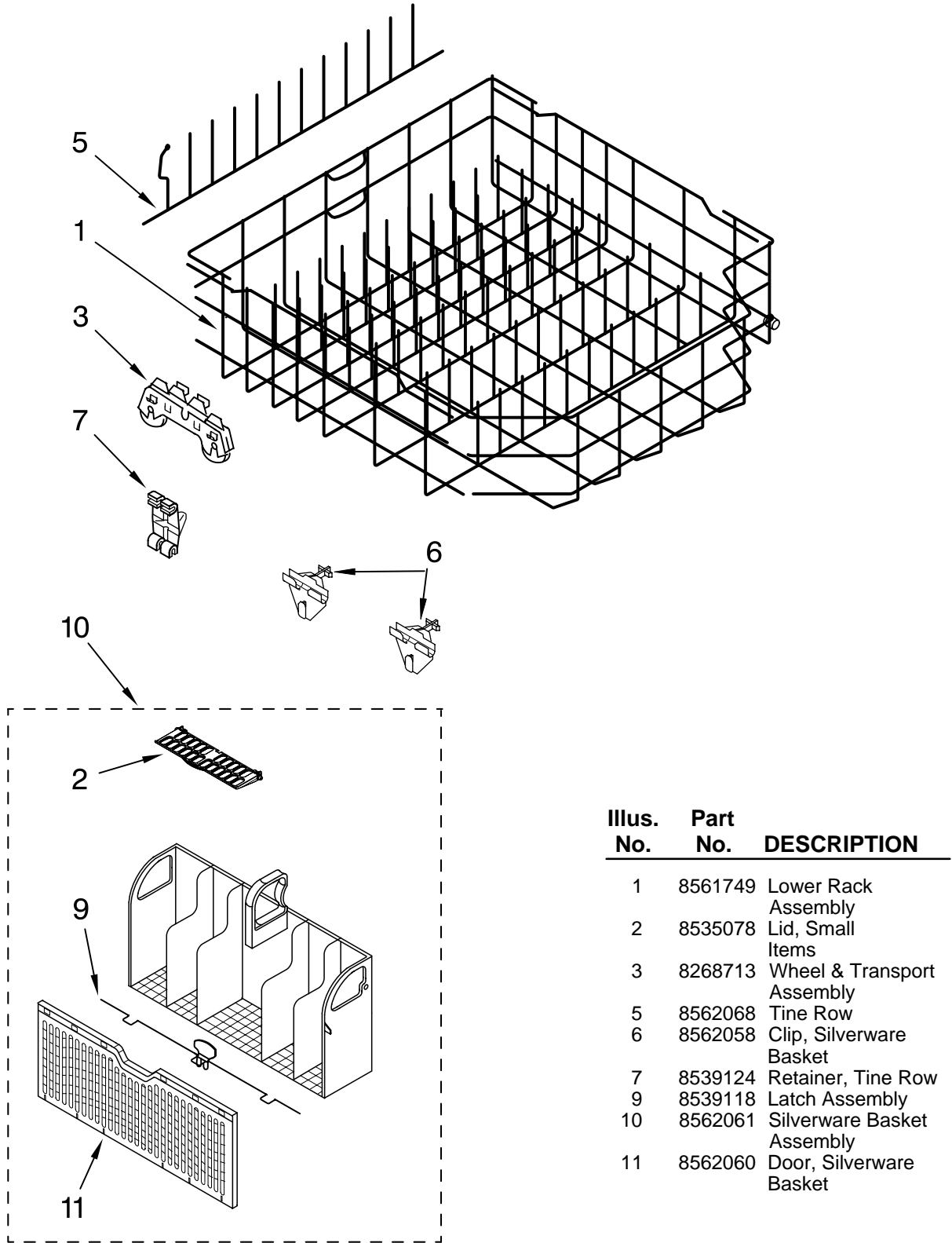


Illus. No.	Part No.	DESCRIPTION
1	8559848	Feed Tube Assembly (Also Includes Item 3)
2	8533889	Screw
3	8557720	Spinner, 3rd Level Wash
4	3400920	Cover, Screw
5	8268354	Mount
6	8268355	Manifold
7	8268349	Hanger
8	8268433	Seal, Sprayarm
9	8269295	Probe
10	8561746	Sprayarm

FOR ORDERING INFORMATION REFER TO PARTS PRICE LIST

# LOWER RACK PARTS

For Models: GU2200XTSB2, GU2200XTSQ2, GU2200XTSS2  
(Black) (White) (Stainless)



Illus. No.	Part No.	DESCRIPTION
1	8561749	Lower Rack Assembly
2	8535078	Lid, Small Items
3	8268713	Wheel & Transport Assembly
5	8562068	Tine Row
6	8562058	Clip, Silverware Basket
7	8539124	Retainer, Tine Row
9	8539118	Latch Assembly
10	8562061	Silverware Basket Assembly
11	8562060	Door, Silverware Basket

FOR ORDERING INFORMATION REFER TO PARTS PRICE LIST

# OPTIONAL PARTS (NOT INCLUDED)

For Models: GU2200XTSB2, GU2200XTSQ2, GU2200XTSS2  
(Black) (White) (Stainless)

Illus. Part No. No. DESCRIPTION	Illus. Part No. No. DESCRIPTION	Illus. Part No. No. DESCRIPTION
<b><u>ACCESSORIES</u></b>		
Side Panel Kits 8171656 White 8171657 Black 8171658 Biscuit 8171659 Stainless Steel	<b><u>PAINT, TOUCH-UP (1/2oz.)</u></b>  72017 White 72032 Black 4392899 Biscuit 4396603 Meteorite	<b><u>ANTI-TIP KIT</u></b>  4396194 Floor Mount Kit
Custom Panel & Trim Kit 4396199 Black 4396200 White 4396201 Biscuit	<b><u>PAINT, PRESSURIZED SPRAY (12 oz.)</u></b>  350930 White 285006 Superior Black 4392901 Biscuit	<b><u>DISHRACK REPAIR</u></b>  Tip Tine Repair Kit (Enough for Two Complete Dishracks)  4396838 White 4396840 Grey
Moisture Barrier Kit 4396277 Kit	<b><u>PAINT, BULK (1 qt.)</u></b>  799344 White (Uncut) 4392900 Biscuit	Vinyl Touch-Up (4 oz.) 676453 White 676455 Grey
Drain Hose 3385556 12 Ft.	<b><u>POWER CORD KIT</u></b>  4317824 Power Cord Kit (Includes Power Cord & Misc. Hardware)	

FOR ORDERING INFORMATION REFER TO PARTS PRICE LIST