

**PARTS  
LIST  
FOR**

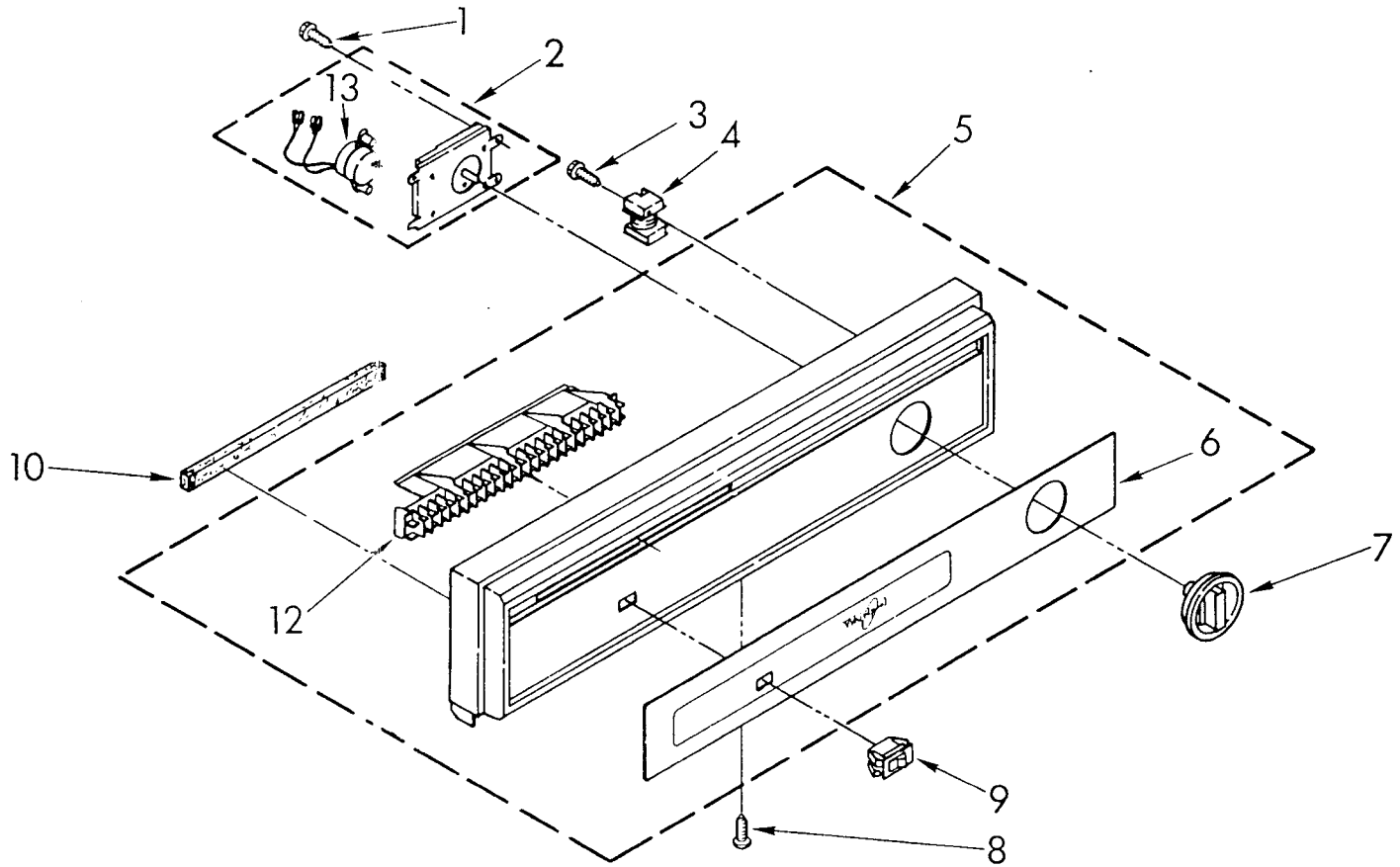


**MODEL  
GDU4050XPW1**

White, Black

**UNDERCOUNTER DISHWASHER**

**CONSOLE PARTS**



4336



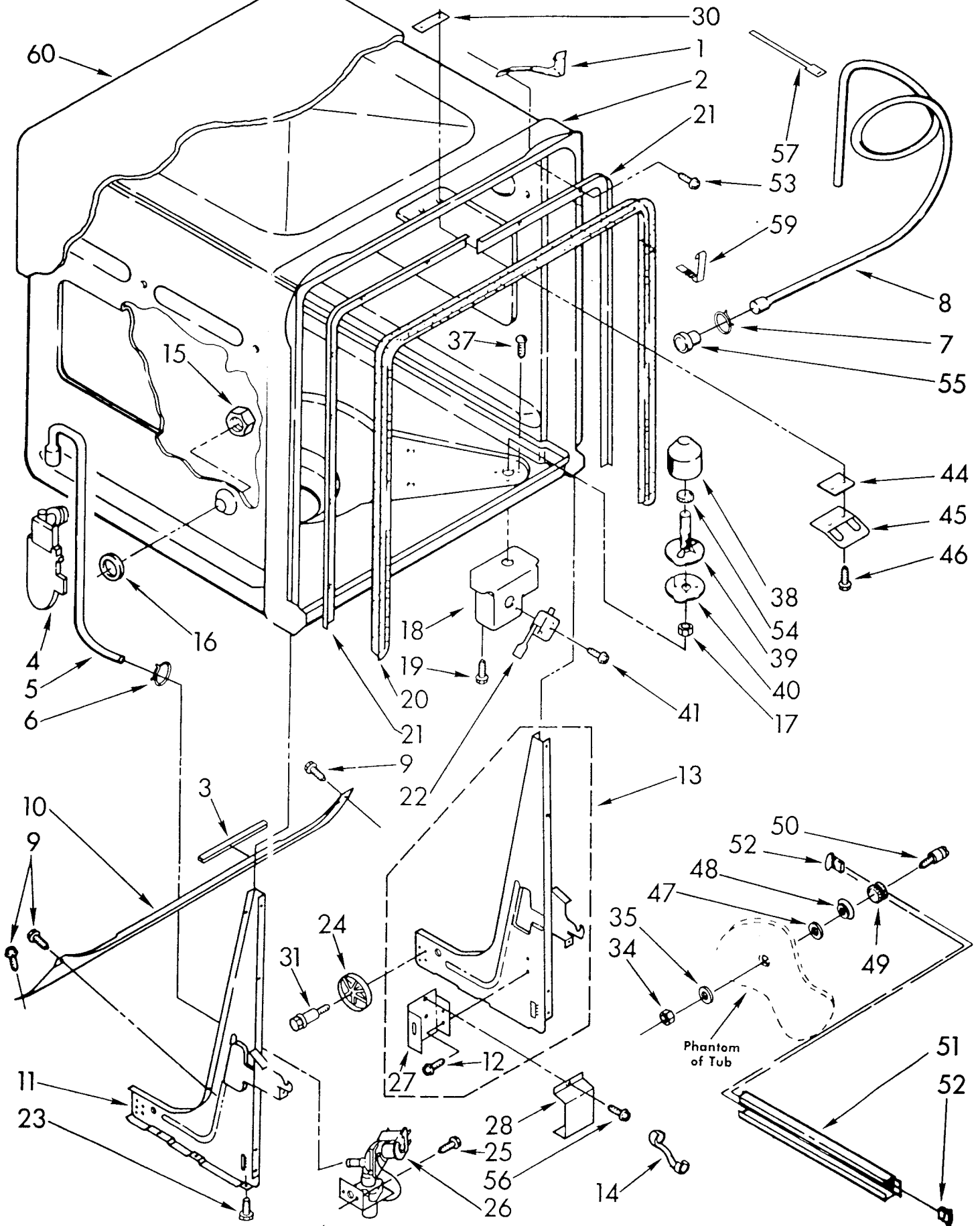
**Whirlpool CORPORATION**  
Benton Harbor, Michigan.



1	304231	Screw, 8-16 x 1/2 Slot Hex Wash Hd (3)
2	304464	Timer
3	304232	Screw, 7-18 x 1-3/8 Slot Hex Wash Hd
4	304409	Relay, Start
5	304613	Console
6	304834	Insert, Decorative
7	304435	Knob, Timer
8	304234	Screw, 8-18 x 1/2 Phlps Truss Hd Hi-Lo (4)
9	661511	Rocker Switch 3367733 (Alt.) 3367429 (Alt.)
10	719860	Baffle
12	304424	Grill, Vent
13	301074	Motor, Timer

# TUB PARTS

For Model: GDU4050XPW1



FOR OF DERING INFORMATION REFER TO PARTS PRICE LIST

1	300796	Bracket, Mounting (2)
2	3367464	Tub Assembly
3	303294	Edge Protector
4	300974	Inlet, Water
5	304670	Hose, Inlet
6	301958	Clamp
7	356138	Clamp
8	719954	Hose, Drain
9	90767	Screw, 8A x 3/8 Hex Head Tapping (4)
10	303111	Brace
11	3367284	Leg & Hinge Assembly, L.H.
12	718178	Screw, 8-32 x 3/8 Hex Washer Head Slotted Tapping Ground (1)
13	3367498	Leg & Hinge Assembly, R.H.
14	717563	Relief, Strain
15	713799	Nut, 7/8-16 Polypropylene (1)
16	713878	Gasket
17	717488	Nut, 1/8 Self-Threading (1)
18	719342	Bracket, Overflow
19	718250	Screw, 8 x 1/2 Hi-Lo Blunt Point (3)
20		Gasket
	302090	Alternate
	302091	Alternate
21	302093	Retainer, R.S.
	302094	Retainer, L.S.
22	301671	Switch, Pressure
	301672	Alternate
	304589	Alternate
23	302849	Leveling Leg
24	302819	Wheel, Leg
25	90767	Screw, 8A x 3/8 Hex Head Tapping (2)
26		Valve, Water Inlet
	300453	Alternate
	303650	Alternate
27	300067	Box, Terminal
28	300068	Cover, Terminal Box
30	303080	Nut, Twin Spring
31	302818	Screw, Shoulder
34	718829	Locknut, 10-32 (8)
35	717624	Washer (8)
37	717236	Screw, 8-18 x 1/2 Pan Head Tapping (1)
38	718035	Float
39	719967	Standpipe, Overflow
40	719966	Gasket, Overflow
41	302203	Screw, 4-40 x 9/16 Hex Head Slotted Thread Cutting (1)
44	712302	Shim
45	300233	Strike
46	9416643	Screw, 10-12 x 1/2 (2)
47	718750	Washer (8)
48	718817	Washer, Cup (8)
49	300844	Wheel Assembly (8)
50	712499	Screw, Shoulder (8)
51	300846	Track (2)
52	300845	End Cap, Track (4)
53	719266	Screw, 8-18 x 5/8 Indented Hex-Head (10)
54	301662	Gasket (2)
55	301656	Insert, Cup-Hose
56	90767	Screw, 8A x 3/8 Hex Head Tapping (1)

57	596490	Clip, Strap
59	301663	Clip, Gasket
60	304786	Soundshield, Tub

OPTIONAL PARTS NOT INCLUDED

PAINT, TOUCH UP (1/2 oz.)

72017	White
72107	Almond
72110	Golden Harvest
72032	Black
72112	Toast
72113	Platinum

PAINT PRESSURIZED SPRAY (13 oz.)

350930	White
350956	Almond
261890	Golden Harvest
350939	Black
285365	Toast
285366	Platinum
206922	Primer (White)
206925	Leveler (Thinner) (2 Oz.)

PAINT, BULK (1 qt.)

799344	White (Uncut)
799340	Black (Uncut)
261891	Golden Harvest (Uncut)
285367	Toast (Uncut)
285368	Platinum (Uncut)

DISHRACK REPAIR

675476	Vinyl Touch-Up (Blue)
675506	Tine Tip Repair Kit (Blue_ Enough For Two Complete Dishracks)

TUB LINER REPAIR

799640	Kit, Epoxy Patch (White)
--------	--------------------------

Following Parts Not Illustrated

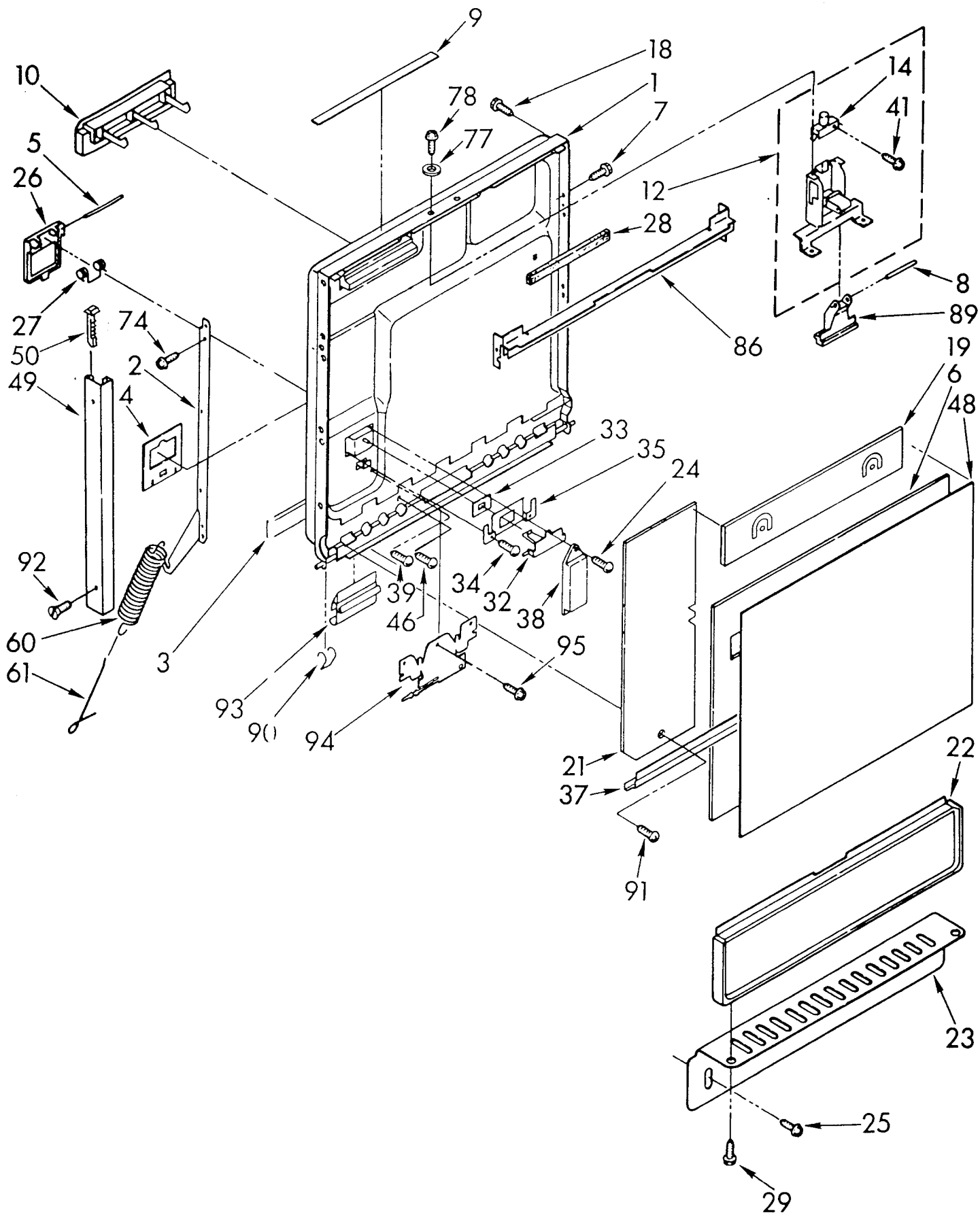
300096	Air Gap, Drain
--------	----------------

LITERATURE PARTS

LIT304830	Tag, Energy Fact
LIT3367228	Instructions, Installation
LIT304282	Guide, Use & Care
LIT3367312	List, Parts

# DOOR PARTS

For Model: GDU4050XPW1



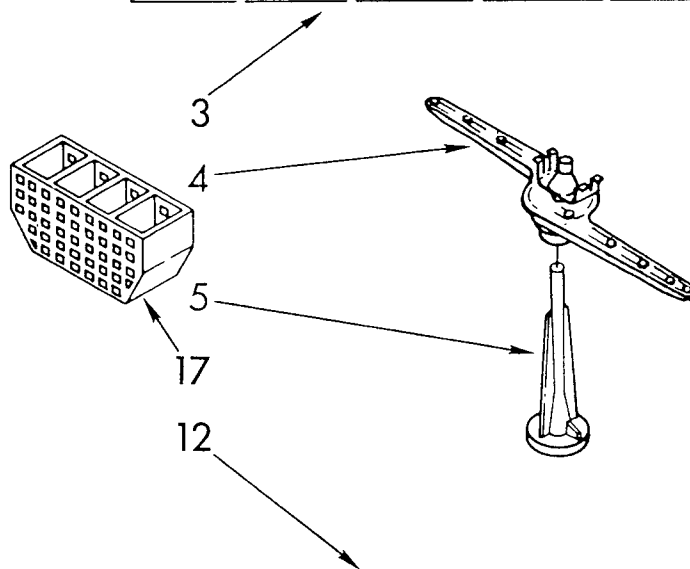
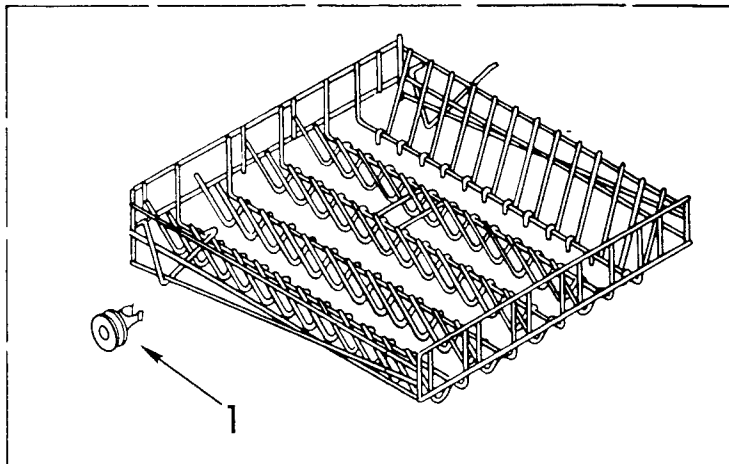
FOR ORDERING INFORMATION REFER TO PARTS PRICE LIST

1	3367387	Door, Inner
2	3367201	Support, Door (R.H.)
	3367202	Support, Door (L.H.)
3	717921	Gasket, Door
4	303978	Barrier
5	300115	Pin, Lid Hinge
6	301957	Sp\ a\ cer, Cor\ ru\ ga\ te\ d
7	304392	Screw, 8-18 x 1/2 (2)
8	300234	Pin, Pivot (2)
9	LIT302081	Label, User Guide
10	300246	Screen, Vent
12	3367058	Latch Assembly
14		Switch, Interlock
	300232	Alternate
	303075	Alternate
	303885	Alternate
18	304233	Screw, 8 x 1-7/8 Truss Head Hi-Lo (2)
19	303908	Barrier, Console
21	303906	Barrier, Door
22	304410	Panel, Access
23	3367470	Plate, Toe
24	304231	Screw, 8 x 1/2 Hi-Lo Blunt Point (1)
25	300890	Screw, 8-18 x 3/8 Hex Washer Head Slotted Tapping (2)
26	300155	Lid, Detergent Dispenser Assembly
27	300106	Spring, Lid
28	719860	Baffle
29	302868	Screw, 8-18 x 1/2 (4)
32	300119	Lever, Catch
33	300105	Seal, Lever
34	304231	Screw, 8 x 1/2 Hi-Lo Blunt Point (2)
35	300104	Retainer
37	718533	Clip, Ground
38	300109	Actuator
39	304231	Screw, 8 x 1/2 Hi-Lo Blunt Point (1)
41	301582	Screw, 6-32 x 1 (1)
46	90767	Screw, 8A x 3/8 Hex Head Tapping Ground (1)
48		Panel, Front
49	3367206	Trim, Door R.H.
	3367207	Trim, Door L.H.
50	3367172	Clip, Trim Guard (2)
60	716425	Spring, Door
61	716401	Retainer, Spring
74	300128	Screw, 8-18 x 1/2 Oval Head Serration Lock (6)
77	300237	Washer
78	90767	8A x 3/8 Hex Head Tapping (2)
86	304391	Rail, Support
89	304407	Lever, Release
90	301857	Clip, Wire
91	688983	Screw, 8-18 x 1/2 (2)
92	3367288	Screw, 8 x 1/2 Oval Head (4)
93	303121	Retainer, Clip
94	303362	Shield, Harness
95	303090	Screw, 8-18 x 5/8 Hex Head Tapping

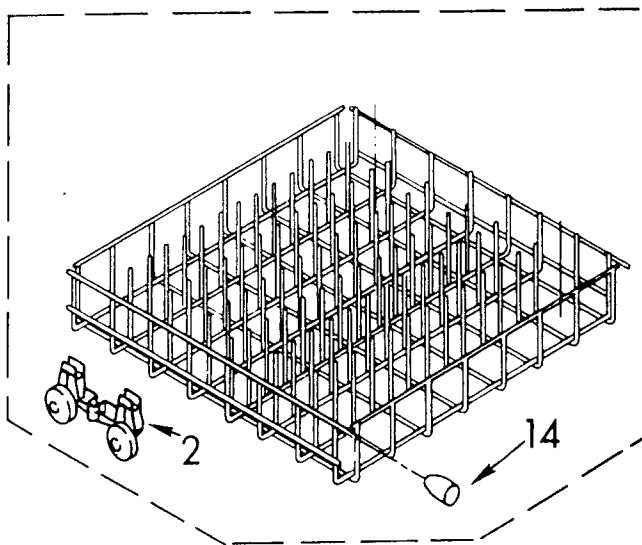
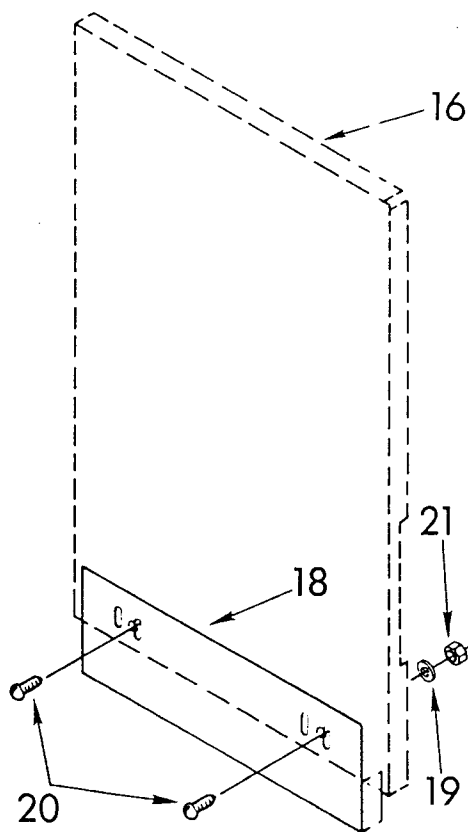
|Refer To Dishwasher Replacement  
Panel Parts List No. 675345.

# DISHRACK PARTS

For Model: GDU4050XPW1



†Refer To Dishwasher Replacement Panel Parts List No. 675345



FOR ORDERING INFORMATION REFER TO PARTS PRICE LIST

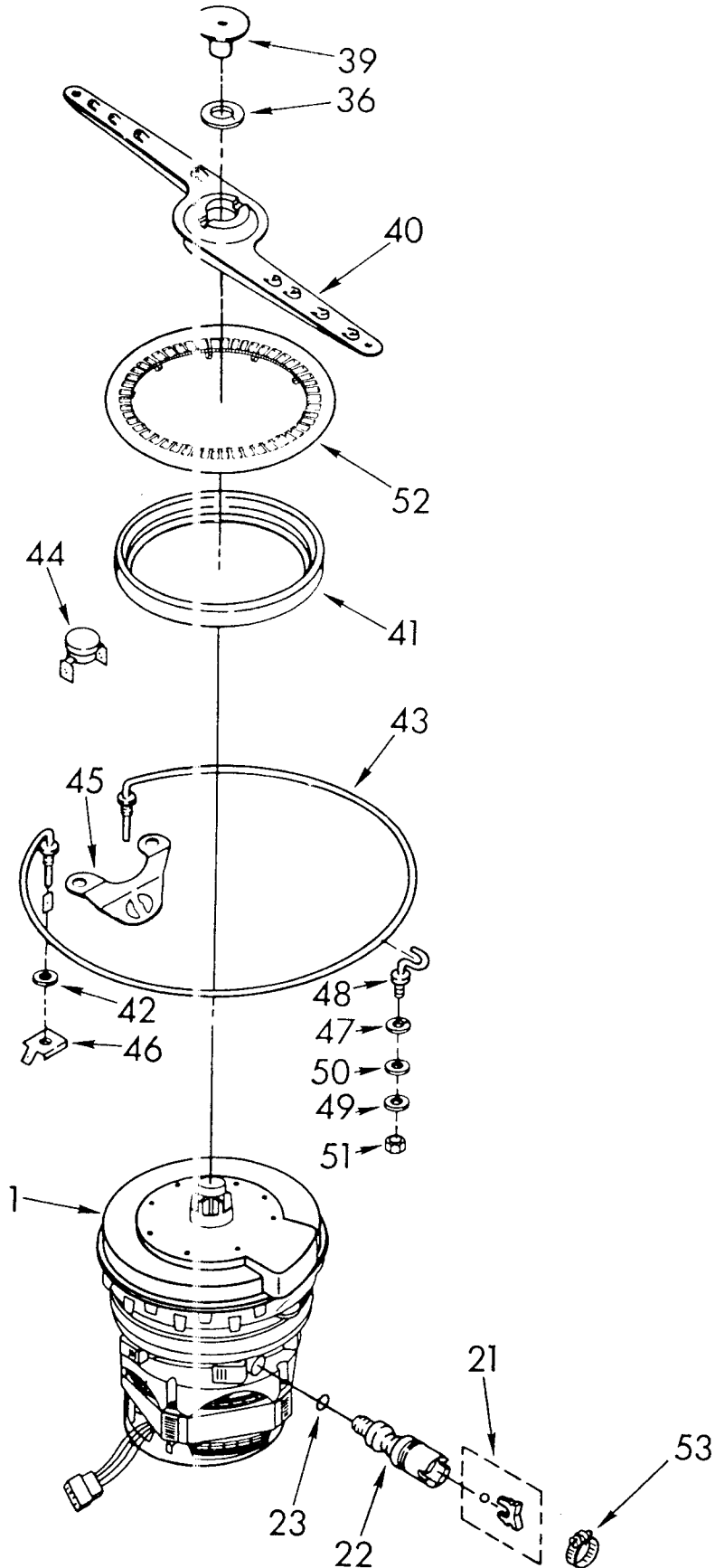


1	300995	Wheel & Axle Assembly (4)
2	303991	Wheel & Carrier Assembly (4)
3	304187	Dishrack, Upper
4	304204	Spray Arm, Upper
5	304170	Tower
12	304176	Dishrack, Lower
14	304490	Bumper
16		Panel, Reversible
17	3367117	Basket, Silverware (2)
18	3367549	Panel, Lower Side Panel
19	12035	Washer, Lower Side Panel Mounting (2)
20	9419621	Screw, Lower Side Panel Mounting (2)
21	965176	Nut, Lower Side Panel Mounting

|Refer To Dishwasher Replacement  
Panel Parts List No. 675345.

# HEATER, PUMP AND LOWER SPRAYARM PARTS

For Model: GDU4050XPW1



FOR ORDERING INFORMATION REFER TO PARTS PRICE LIST

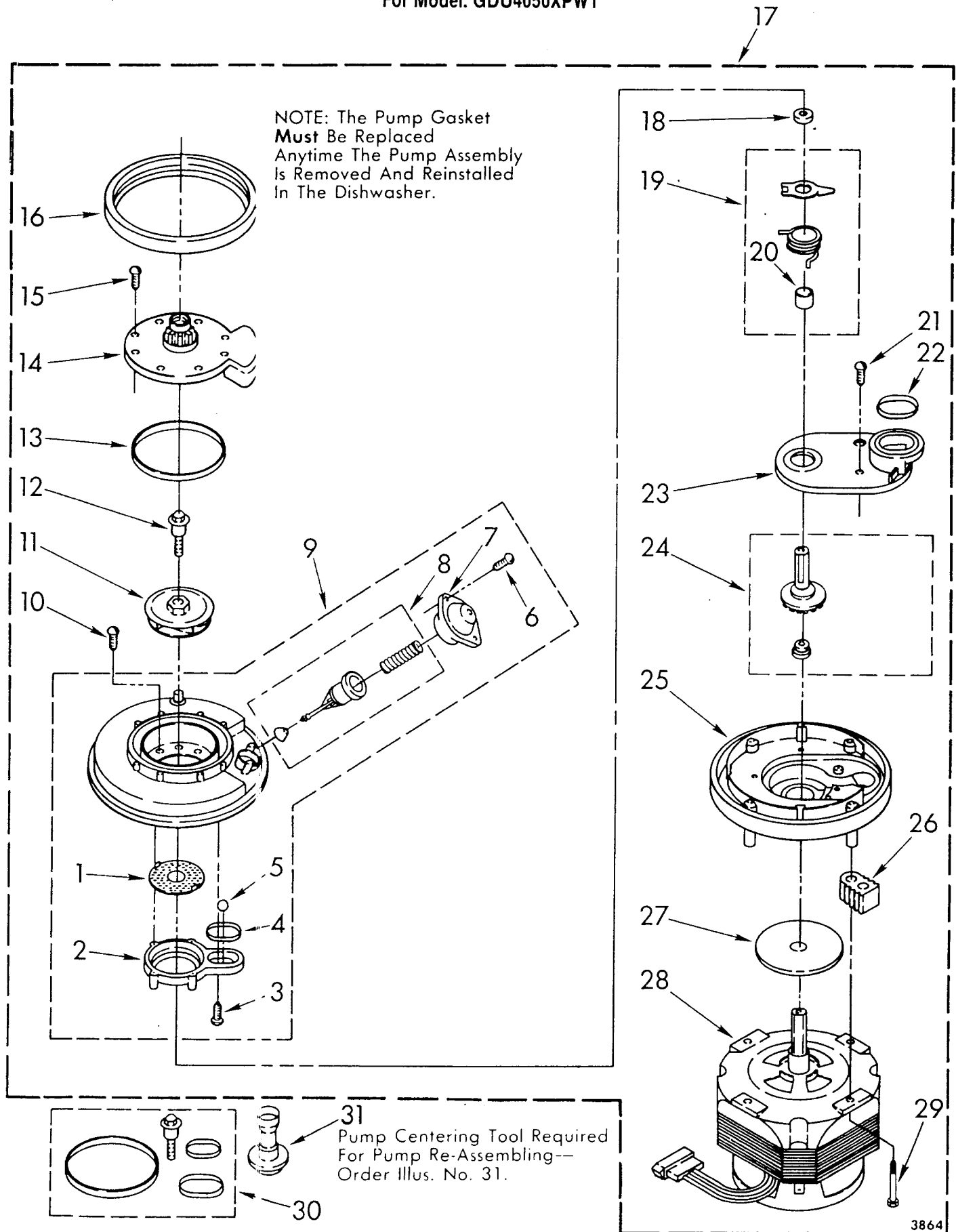
1 3367443 Pump & Motor Assembly (Includes Illus. 41)

Parts, Refer To Pump And Motor Parts Page.

21	675488	Check Ball & Retainer
22	300800	Valve, Check (Includes Illus. 21 & 23)
23	95080	``O'' Ring
36	719576	Bearing Nozzle
39	303870	Cap, Nozzle
40	302767	Spray Arm, Lower
41	717000	Gasket, Pump
42	717273	Washer, Rubber (2)
43		Heater
	717141	Alternate
	719687	Alternate
	302113	Alternate
	302562	Alternate
44	304105	Thermostat
45	303808	Bracket
46	718537	Nut, 7/16 x 20 (2)
47	717289	Washer Retainer (2)
48	717096	Support, Heater (2)
49	711284	Washer (2)
50	14351	Washer (2)
51	120614	Nut, 10-32 (2)
52	303469	Grate
53	3367052	Clamp, Hose

# 3367743 PUMP AND MOTOR PARTS

For Model: GDU4050XPW1



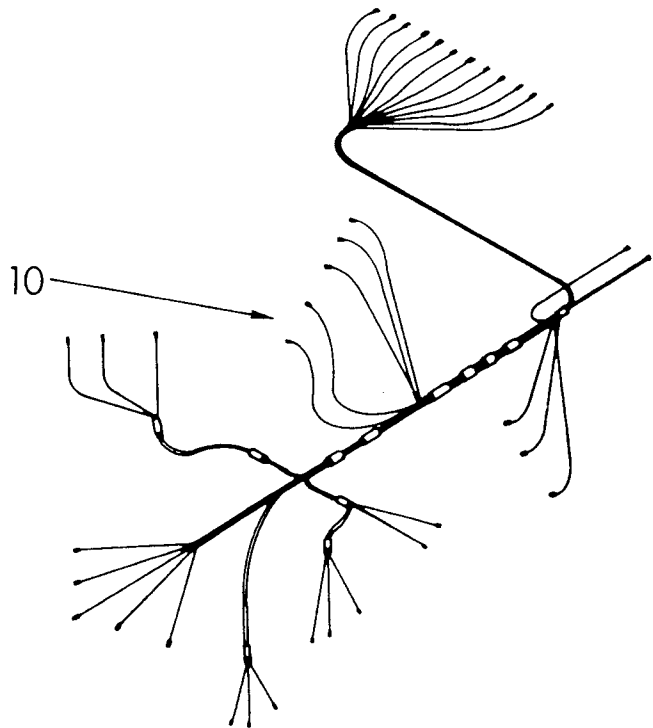
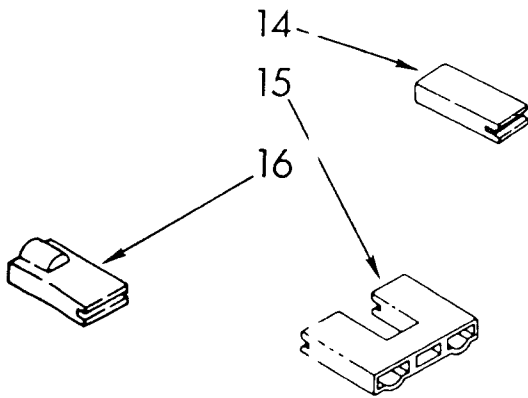
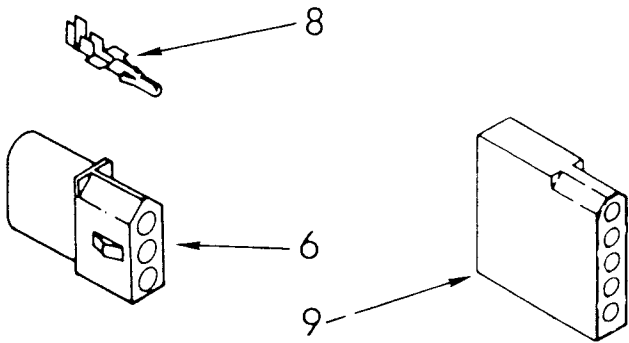
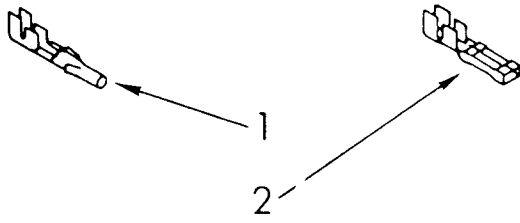
FOR ORDERING INFORMATION REFER TO PARTS PRICE LIST

1	302720	Plate, Perforated (Includes Illus. 5) (Also Order Illus. No. 30) See Note A.
2	302726	Base, Inlet (Includes Illus. 1 & 5) (Also Order Illus. No. 30) See Note A.
3	303573	Screw, 8-18 x 5/8 St. Stl.
4	302710	Seal, Inlet Base
5	302709	Ball, Check
6	303573	Screw, 8-18 x 5/8 St. Stl. (2)
7	302721	Cover, Valve
8	302738	Valve Stem Kit (Includes Illus. 12, 13 & 22) See Note A.
9	303883	S\epara\tor\ \ Assemb\l\y (Includes Illus. 12, 13 & 22) See Note A.
10	302717	Screw, 8-18 x 1-5/8 St. Stl. (4)
11	303510	Impeller, Wash (Includes Illus. 12 & 13)
12	303516	Screw & Seal, 10-32 x 3/4
13	302711	Seal, Pump Outlet
14	302730	Outlet, Pump (Includes Illus. 13)
15	303573	Screw, 8-18 x 5/8 St. Stl. (8)
16	717000	Gasket, Pump
17	3367443	Pump & Motor Assembly
18	302707	Bushing, Grind
19	302718	Chopper Kit (Also Order Illus. No. 30) See Note A.
20	302705	Sleeve, Drain Impeller
21	718258	Screw, 8-18 x 5/8
22	302704	Seal, Drain Cover
23	302723	Cover, Drain (Also Order Illus. No. 30) See Note A.
24	303539	Impeller, Drain Kit (Also Order Illus. No. 30)
25	302703	Base, Pump (Includes Illus. 24) (Also Order Illus. No. 30)
26	3367197	Support, Pump Mounting (4)
27	303252	Slinger (See Note A.)
28	302716	Motor (Includes Illus. 24, 27) (Also Order Illus. No. 30) (For Electrical Connector Only, See Wiring Harness Page)
29	301817	Screw, 13-18 x 1-1/2
30	675505	Pump Seal Kit (Includes Illus. 4, 13 & 22)
31	303918	Tool, Pump Centering

NOTE A: Pump Centering Tool Required  
For Pump Re-Assembling- Order Illus. No. 31.

# WIRING HARNESS PARTS

For Model: GDU4050XPW1



FOR ORDERING INFORMATION REFER TO PARTS PRICE LIST

1	94614	Terminal
2	352088	Terminal, Female
6	353425	Receptacle, Terminal (3 Way)
8	94613	Terminal
9	719585	Receptacle (5-Circuit)
10	304503	Harness, Wiring
14	301219	Connector Block
15		Connector Block
	300708	Alternate
	374230	Alternate
16	358736	Insulator .250 Terminal