

PARTS
LIST
FOR

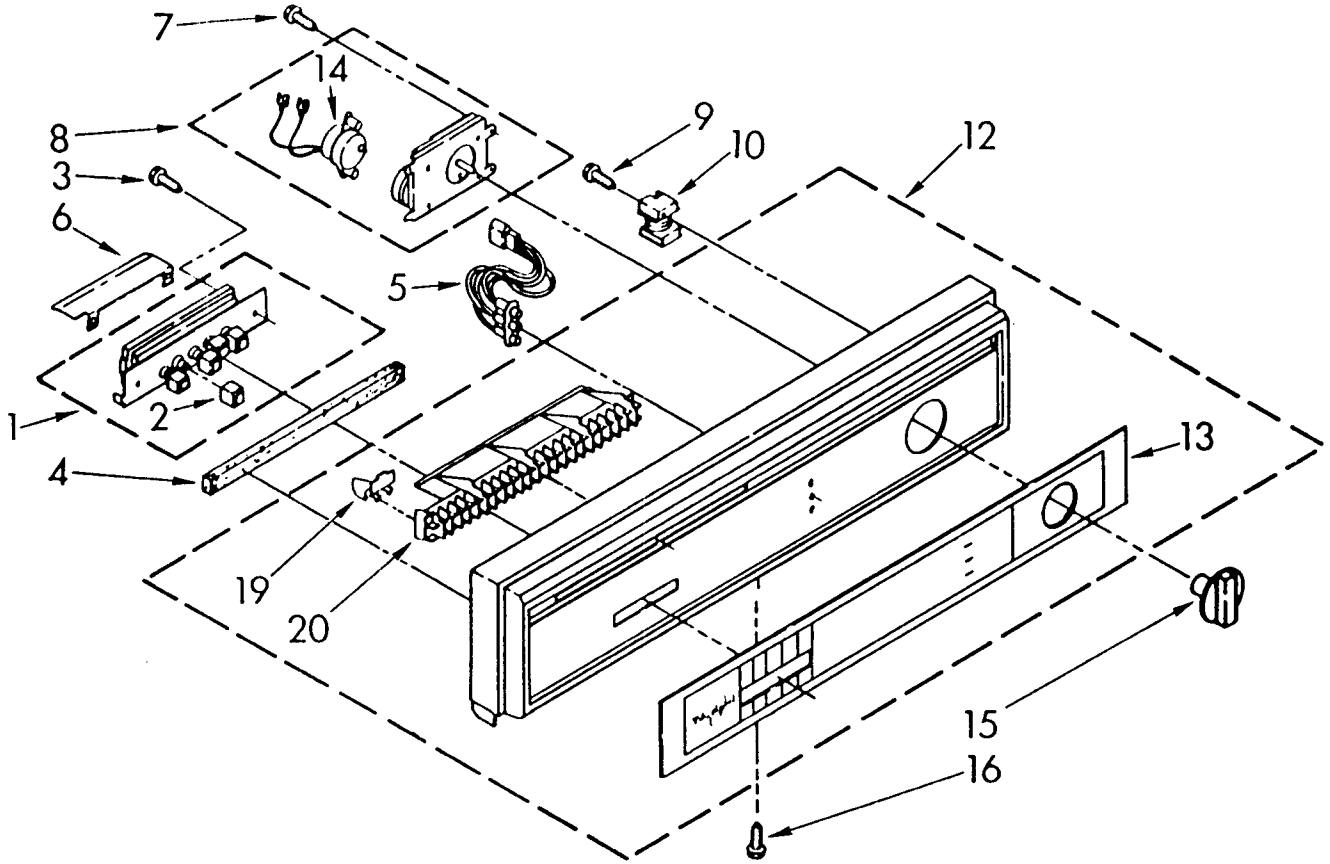


MODEL
DU9000XR-4

Black, Almond

UNDERCOUNTER DISHWASHER

CONSOLE PARTS



3-89 Litho in U.S.A.

Whirlpool CORPORATION
Benton Harbor, Michigan.
© 1989 WHIRLPOOL CORPORATION



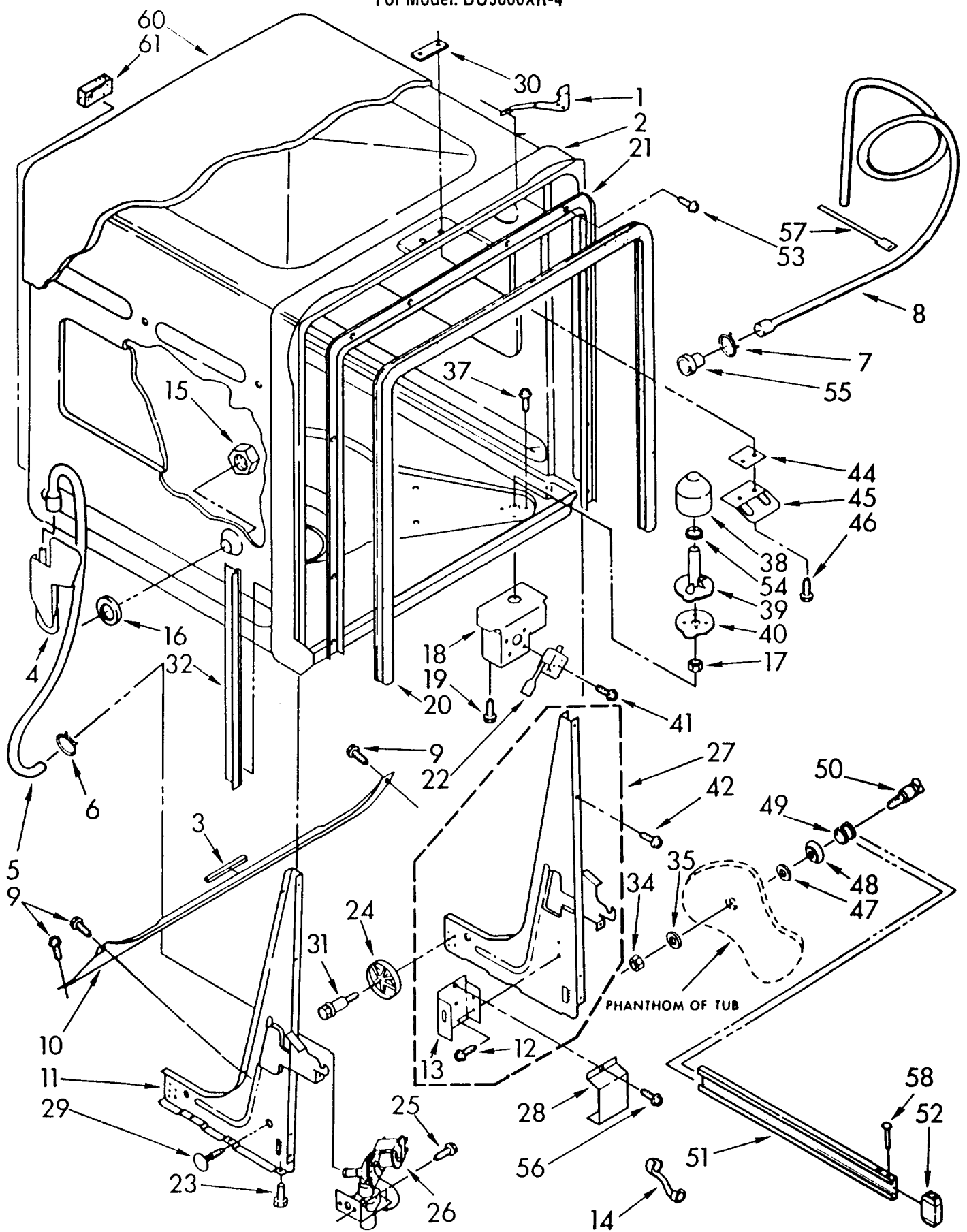
Part No. 3368467 Rev A.

794-D-5

| | | |
|----|---------|---|
| 1 | 3368539 | Switch, Pushbutton |
| 2 | 304456 | Button (5) |
| 3 | 304231 | Screw, 8-16 x 1/2 Slot Hex Wash Hd (2) |
| 4 | 3368537 | Baffle |
| 5 | 304474 | Light, Indicator (For Electrical Connector Only, See Wiring Harness Page.) |
| 6 | 3368538 | Shield, Sound |
| 7 | 304231 | Screw, 8-16 x 1/2 Slot Hex Wash Hd (3) |
| 8 | 304462 | Timer |
| 9 | 304232 | Screw, 8-18 x 1-3/8 Slot Hex Wash Hd |
| 10 | 304409 | Relay, Start |
| 12 | 304612 | Console |
| 13 | 304546 | Insert, Decorative |
| 14 | 301074 | Motor, Timer |
| 15 | 304574 | Knob, Timer |
| 16 | 304234 | Screw, 8-18 x 5/8 Hi-Lo (2) |
| 19 | 304604 | Cover, Grill |
| 20 | 304602 | Grill, Vent (Includes Illus. 19) |

TUB PARTS

For Model: DU9000XR-4



FOR ORDERING INFORMATION REFER TO PARTS PRICE LIST

| | | |
|----|---------|--|
| 1 | 300796 | Bracket, Mounting (2) |
| 2 | 3367464 | Tub Assembly |
| 3 | 303294 | Edge Protector |
| 4 | 3367572 | Inlet, Water |
| 5 | 3368563 | Hose, Inlet |
| 6 | 301958 | Clamp |
| 7 | 356138 | Clamp |
| 8 | 304626 | Hose, Drain |
| 9 | 302868 | Screw, 8A x 3/8 Hex Head Tapping (4) |
| 10 | 3368647 | Brace |
| 11 | 3367284 | Leg & Hinge Assembly, L.H. |
| 12 | 718178 | Screw, 8-32 x 3/8 Hex Washer Head Slotted Tapping Ground (1) |
| 13 | 300067 | Box Terminal |
| 14 | 717563 | Relief, Strain |
| 15 | 713799 | Nut, 7/8-16 Polypropylene (1) |
| 16 | 713878 | Gasket |
| 17 | 717488 | Nut, 1/8 Self-Threading (1) |
| 18 | 719342 | Bracket, Overflow |
| 19 | 718250 | Screw, 8 x 1/2 Hi-Lo Blunt Point (3) |
| 20 | 3368007 | Gasket |
| 21 | 3368002 | Retainer & Seal |
| 22 | 660741 | Switch, Pressure |
| | 301671 | Alternate |
| | 301672 | Alternate |
| | 304589 | Alternate |
| 23 | 302849 | Leveling Leg |
| 24 | 302819 | Wheel, Leg |
| 25 | 90767 | Screw, 8A x 3/8 Hex Head Tapping (2) |
| 26 | 660995 | Valve, Water Inlet |
| | 303650 | Alternate |
| | 300453 | Alternate |
| 27 | 3367498 | Leg & Hinge Assembly, R.H. |
| 28 | 300068 | Cover, Terminal Box |
| 29 | 304666 | Retainer |
| 30 | 303080 | Nut, Twin Spring |
| 31 | 302818 | Screw, Shoulder |
| 32 | 3368112 | Retainer, Sound Shield |
| 34 | 718829 | Locknut, 10-32 (8) |
| 35 | 717624 | Washer (8) |
| 37 | 717236 | Screw, 8-18 x 1/2 Pan Head, Tapping (1) |
| 38 | 718035 | Float |
| 39 | 719967 | Standpipe, Overflow |
| 40 | 719966 | Gasket, Overflow |
| 41 | 302203 | Screw, 4-40 x 5/8 Hex Head Slotted Thread Cutting (1) |
| 42 | 90767 | Screw, 8A x 3/8 Hex-Head Tapping Ground (2) |
| 44 | 712302 | Shim |
| 45 | 300233 | Strike |
| 46 | 3367670 | Screw, 10-16 x 1/2 (2) |
| 47 | 718750 | Washer (8) |
| 48 | 718817 | Washer, Cup (8) |
| 49 | 300844 | Wheel Assembly (8) |
| 50 | 712499 | Screw, Shoulder (8) |
| 51 | 303297 | Track (2) |
| 52 | 303299 | End Cap, Track (4) |
| 53 | 3368008 | Screw, 8-18 x 5/8 (10) |
| 54 | 301662 | Gasket (2) |
| 55 | 301656 | Insert, Cup-Hose |
| 56 | 90767 | Screw, 8A x 3/8 Hex-Head Tapping (1) |
| 57 | 596490 | Clip, Strap |
| 58 | 303298 | Pin, Track (4) |
| 60 | 304663 | Shield, Sound |
| 61 | 3368107 | Block, Foam |

OPTIONAL PARTS NOT INCLUDED

PAINT, TOUCH UP (1/2 oz.)

| | |
|-------|----------------|
| 72017 | White |
| 72107 | Almond |
| 72110 | Golden Harvest |
| 72112 | Toast |
| 72113 | Platinum |

PAINT PRESSURIZED SPRAY (13 oz.)

| | |
|--------|-------------------|
| 350930 | White |
| 350956 | Almond |
| 261890 | Golden Harvest |
| 285006 | Superior Black |
| 285365 | Toast |
| 285366 | Platinum |
| 206922 | Primer (White) |
| 350941 | Leveler (Thinner) |

PAINT, TOUCH UP (1 qt.)

| | |
|--------|------------------------|
| 799344 | White (Uncut) |
| 978883 | Almond (Uncut) |
| 261887 | Coffee (Uncut) |
| 261889 | New Avocado (Uncut) |
| 261891 | Golden Harvest (Uncut) |
| 285367 | Toast (Uncut) |
| 285368 | Platinum (Uncut) |

TUB LINER REPAIR

| | |
|--------|--------------------------|
| 799640 | Kit, Epoxy Patch (White) |
|--------|--------------------------|

DISHRACK REPAIR

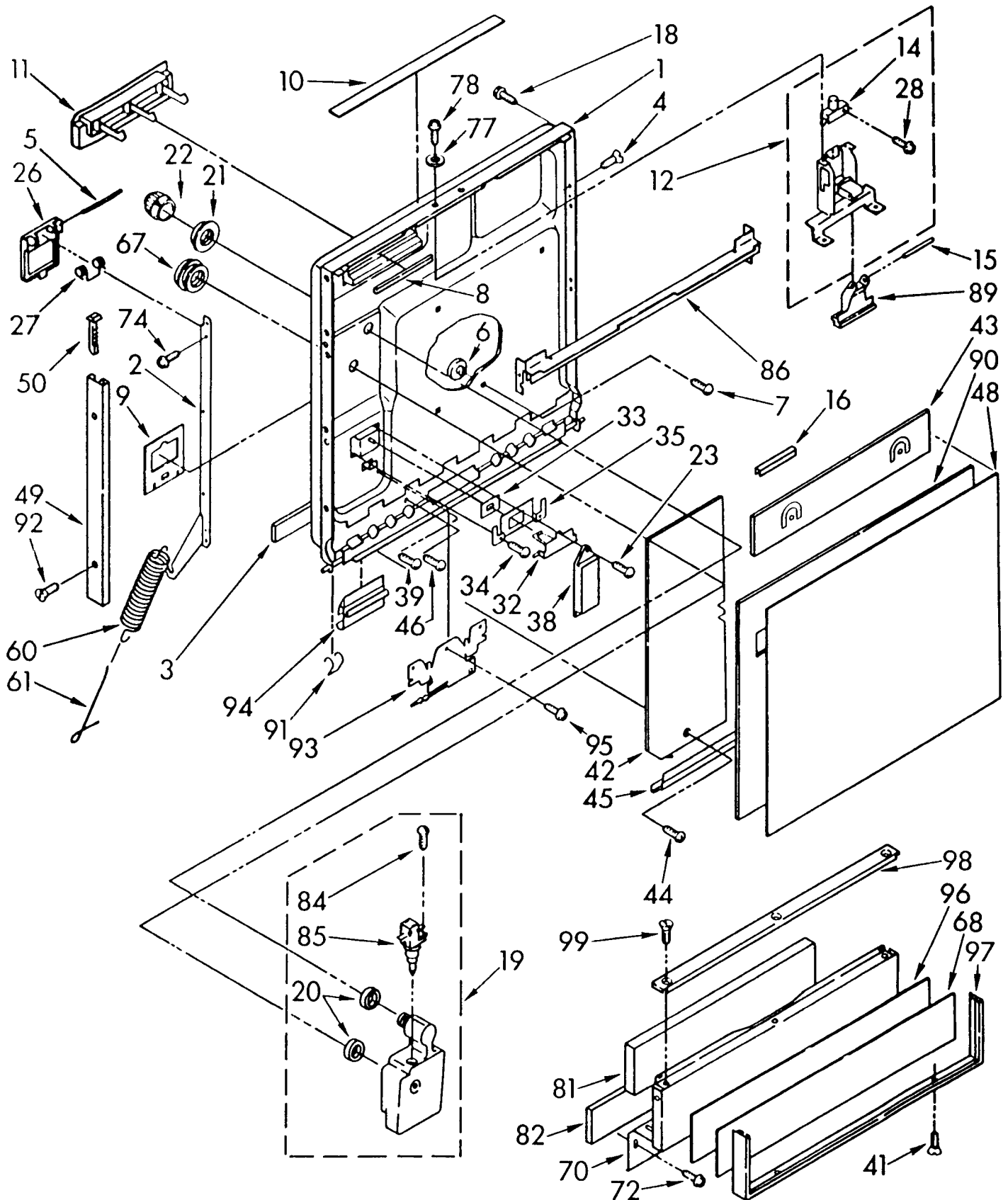
| | |
|--------|--|
| 675476 | Vinyl Touch-Up (Blue) |
| 675506 | Tine Tip Repair Kit (Blue-Enough For Two Complete Dishracks) |

LITERATURE PARTS

| | |
|------------|--|
| LIT3367228 | Instructions, Installation |
| LIT3367007 | Instructions, Installation (Supplement) (Locating Your Water Supply) |
| LIT3368594 | Energy Guide |
| LIT304271 | Guide, Use & Care |
| LIT304473 | Label, Wiring Diagram |
| LIT3368467 | List, Parts |

DOOR PARTS

For Model: DU9000XR-4



FOR ORDERING INFORMATION REFER TO PARTS PRICE LIST

3368467

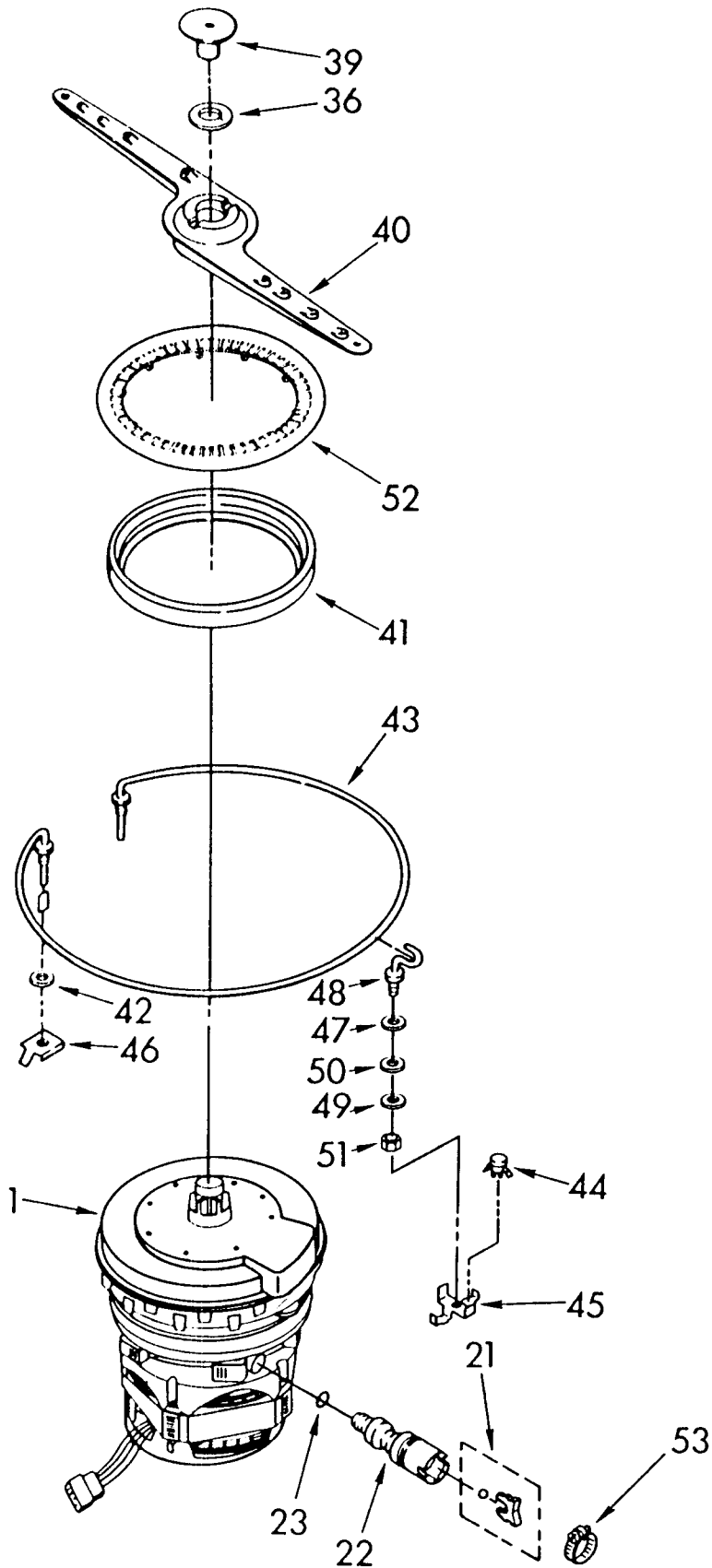
| | | |
|----|-----------|---|
| 1 | 3367389 | Door, Inner |
| 2 | 3367201 | Support, Door (R.H.) |
| | 3367202 | Support, Door (L.H.) |
| 3 | 717921 | Gasket, Door |
| 4 | 304392 | Screw, 8-18 x 1/2 Hex Wash Hd Tapping (2) |
| 5 | 300115 | Pin, Lid Hinge |
| 6 | 300239 | Button, Retainer (5) |
| 7 | 300250 | Screw, 8-18 x 3/8 Hi-Lo (5) |
| 8 | 719860 | Baffle |
| 9 | 303978 | Barrier |
| 10 | LIT303498 | Label, User Guide |
| 11 | 300246 | Screen, Vent |
| 12 | 3367058 | Latch Assembly |
| 14 | 660951 | Switch, Interlock |
| | 300232 | Alternate |
| | 303885 | Alternate |
| 15 | 300234 | Pin, Pivot |
| 16 | 303294 | Edge Protector |
| 18 | 304233 | Screw, 8-18 x 1-7/8 Truss Head Tapping (2) |
| 19 | 304442 | Dispenser, Wetting Agent |
| 20 | 713080 | Washer (2) |
| 21 | 718575 | Nut, 1-14 Buttress Thread (1) |
| 22 | 303163 | Indicator, Level |
| 23 | 304231 | Screw, 8 x 1/2 Hi-Lo Blunt Point |
| 26 | 300155 | Lid, Detergent Dispenser Assembly |
| 27 | 300106 | Spring, Lid |
| 28 | 301582 | Screw, 6-32 x 1 Hex-Head Tapping (1) |
| 32 | 300119 | Lever, Catch |
| 33 | 300105 | Seal, Lever |
| 34 | 304231 | Screw, 8 x 1/2 Hi-Lo Blunt Point (2) |
| 35 | 300104 | Retainer, Seal |
| 38 | 300109 | Actuator |
| 39 | 304231 | Screw, 8 x 1/2 Hi-Lo Blunt Point (1) |
| 41 | 302868 | Screw, 8-18 x 1/2 Phlps Hex Wash Hd Tapping (2) |
| 42 | 303906 | Barrier, Door |
| 43 | 303908 | Barrier, Console |
| 44 | 688983 | Screw, 8-18 x 5/8 (2) |
| 45 | 304047 | Panel, Edging (Door) |
| 46 | 90767 | Screw, 8A x 3/8 Ground (1) |
| 48 | | Panel, Front |
| 49 | 3367206 | Trim, Door R.H. |
| | 3367207 | Trim, Door L.H. |
| 50 | 3367172 | Clip, Trim Guard (2) |
| 60 | 3367658 | Spring, Door |
| 61 | 716401 | Retainer, Spring |
| 67 | 718576 | Cap, Drip |
| 68 | | Panel, Access |
| 70 | 3367671 | Plate, Toe |
| 72 | 302868 | Screw, 8-18 x 1/2 Hex-Head Tapping (4) |
| 74 | 300128 | Screw, 8-18 x 1/2 (4) |
| 77 | 300237 | Washer |
| 78 | 90767 | Screw, 8A x 3/8 Hex-Head Tapping (3) |
| 81 | 304660 | Shield, Sound |
| 82 | 304661 | Shield, Sound |
| 84 | 304444 | Screw, 4-20 x 3/8 Torx Pan Hd (2) |
| 85 | 304443 | Actuator |
| 86 | 304391 | Rail, Support |

| | | |
|----|---------|---|
| 89 | 304408 | Lever, Release |
| 90 | 301957 | Spacer, Corrugated |
| 91 | 301857 | Clip, Wire (2) |
| 92 | 3367288 | Screw, 8 - 18 (4) |
| 93 | 303362 | Shield, Harness |
| 94 | 3367720 | Retainer, Clip |
| 95 | 303090 | Screw, 8A x 3/8 Hex Head Tapping |
| 96 | 303755 | Spacer, Corrugated |
| 97 | 303753 | Trim, Access Panel |
| 98 | 303754 | Trim, Access Panel Top |
| 99 | 302251 | Screw, 8 x 1/2 Phlps. Oval Hd Tapping (3) |

|Refer To Dishwasher Replacement Panel Parts List No. 675345.

HEATER, PUMP AND LOWER SPRAYARM PARTS

For Model: DU9000XR-4



FOR ORDERING INFORMATION REFER TO PARTS PRICE LIST

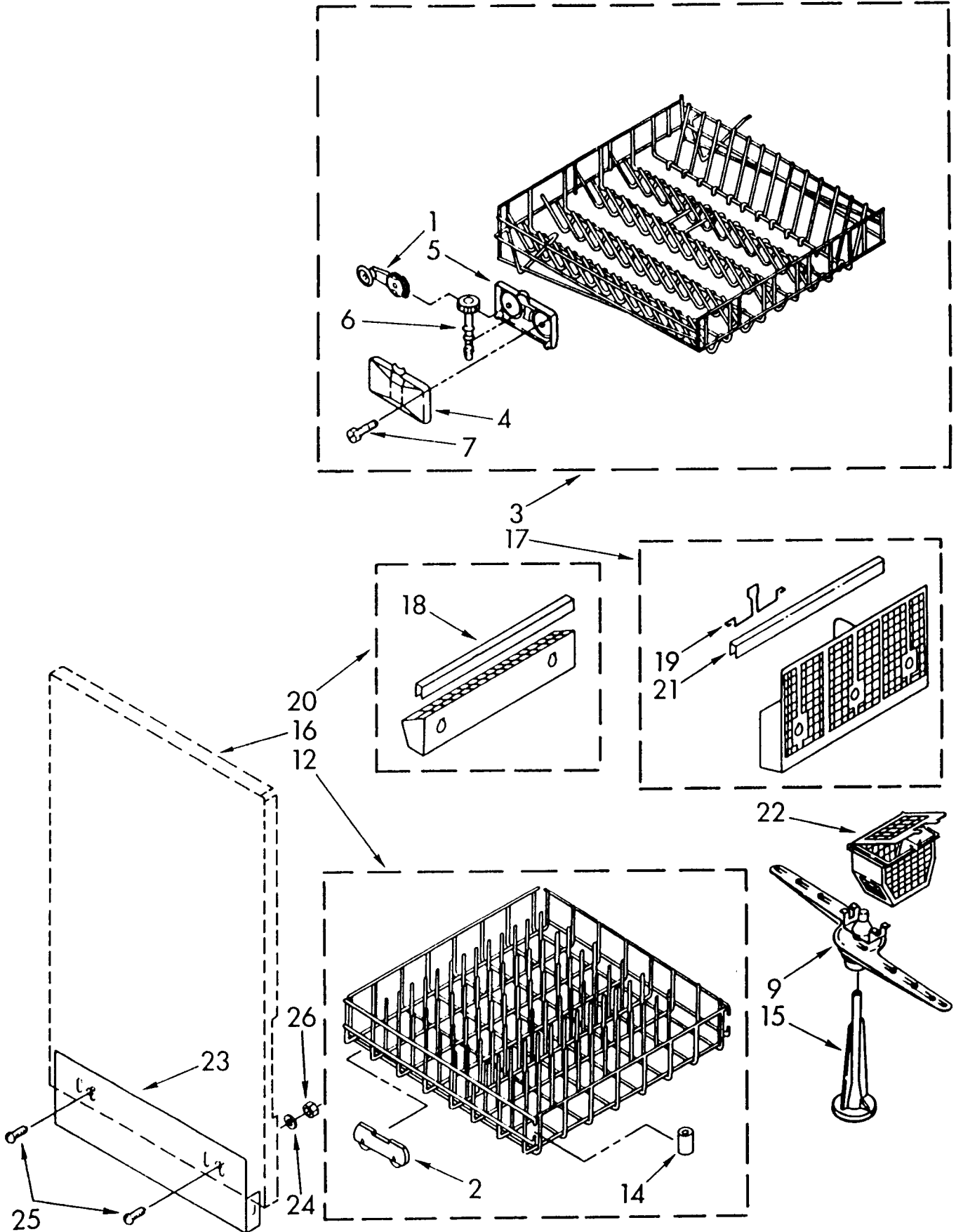
1 3367725 Pump & Motor Assembly (Includes Illus. 41)

For breakdown of pump Parts, Refer To Pump And Motor Parts Page.

| | | |
|----|---------|--|
| 21 | 675488 | Check Ball & Retainer |
| 22 | 300800 | Valve, Check (Includes Illus. 21 & 23) |
| 23 | 95080 | "O" Ring |
| 36 | 719576 | Bearing Nozzle |
| 39 | 3367198 | Cap, Nozzle |
| 40 | 302767 | Spray Arm, Lower |
| 41 | 717000 | Gasket, Pump |
| 42 | 717273 | Washer, Rubber (2) |
| 43 | 660318 | Heater |
| | 719687 | Alternate |
| | 302113 | Alternate |
| 44 | 661504 | Thermostat |
| | 303652 | Alternate |
| | 303282 | Alternate |
| 45 | 3368272 | Bracket |
| 46 | 718537 | Nut, 7/16 x 20 (2) |
| 47 | 717289 | Washer Retainer (2) |
| 48 | 717096 | Support, Heater (2) |
| 49 | 711284 | Washer (2) |
| 50 | 14351 | Washer (2) |
| 51 | 120614 | Nut, 10-32 (2) |
| 52 | 303469 | Grate |
| 53 | 3367052 | Clamp, Hose |

DISHRACK PARTS

For Model: DU9000XR-4



FOR ORDERING INFORMATION REFER TO PARTS PRICE LIST

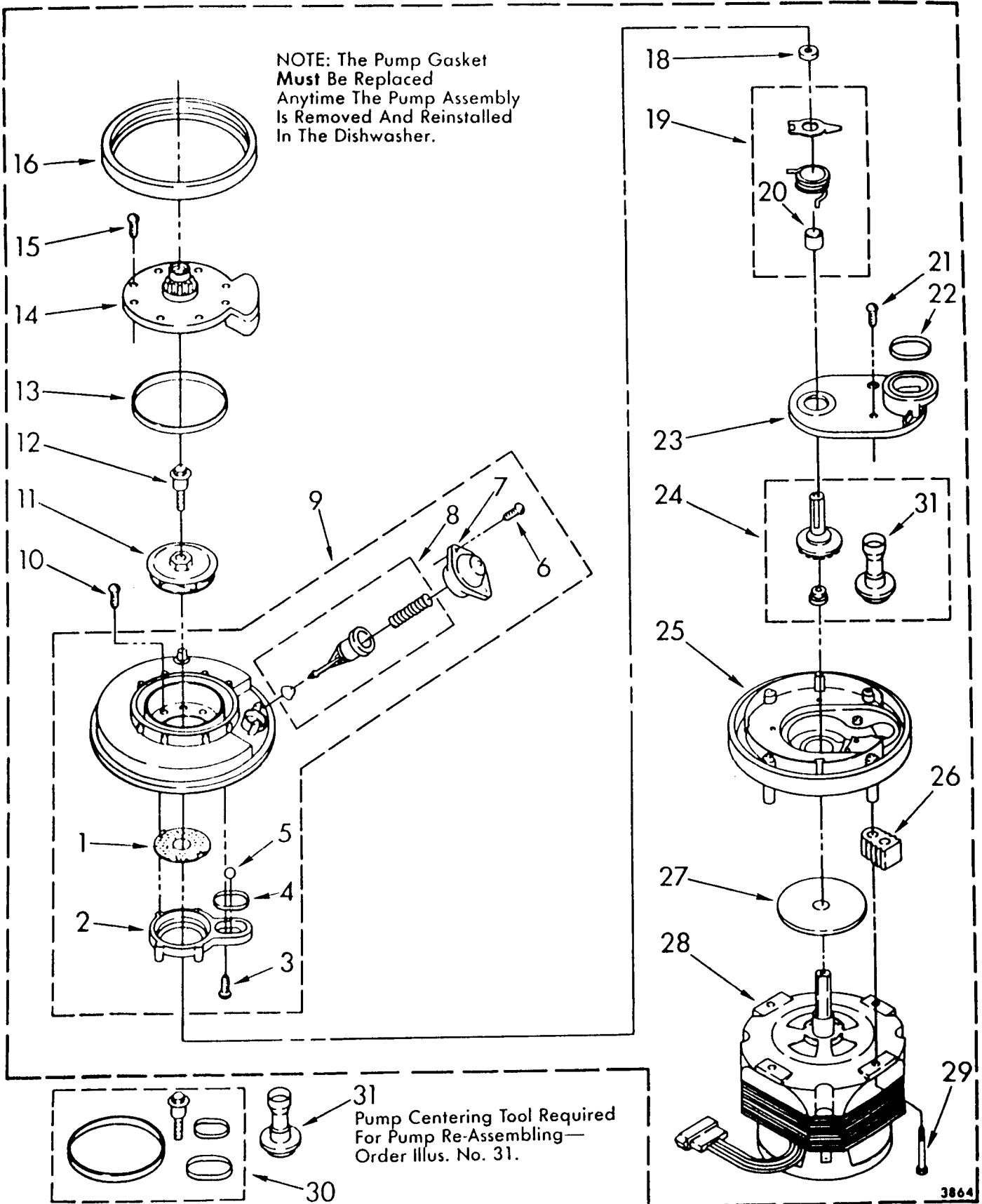
| | | |
|----|---------|---------------------------------------|
| 1 | 301120 | Wheel & Axle Assembly (4) |
| 2 | 3368747 | Wheel & Shroud Assembly (4) |
| 3 | 3368078 | Dishrack, Upper |
| 4 | 301066 | Cover, Housing (2) |
| 5 | 301065 | Housing, Gear (2) |
| 6 | 301067 | Worm, Dishrack (2) |
| 7 | 301077 | Screw (8) |
| 9 | 303569 | Spray Arm |
| 12 | 3368823 | Dishrack, Lower |
| 14 | 717970 | Bumper (2) |
| 15 | 300848 | Tower |
| 16 | | Panel, Reversible Side |
| 17 | 304779 | Silverware Basket |
| 18 | 717528 | Trim, Basket |
| 19 | 300086 | Handle Basket |
| 20 | 304781 | Utinsil Basket Assembly |
| 21 | 717528 | Trim, Basket |
| 22 | 3369353 | Basket, Small Items |
| 23 | 3367549 | Panel, Lower Side |
| 24 | 12035 | Washer, Lower Side Panel Mounting (2) |
| 25 | 9419621 | Screw, Lower Side Panel Mounting (2) |
| 26 | 965176 | Nut, Lower Side Panel Mounting (2) |

|Refer To Dishwasher Replacement
Panel Parts List No. 675345.

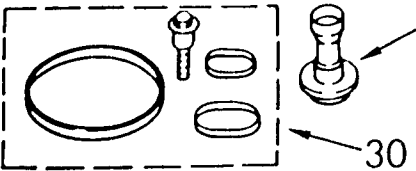
PUMP AND MOTOR PARTS

For Model: DU9000XR-4

NOTE: The Pump Gasket
Must Be Replaced
Anytime The Pump Assembly
Is Removed And Reinstalled
In The Dishwasher.



31
Pump Centering Tool Required
For Pump Re-Assembling—
Order Illus. No. 31.



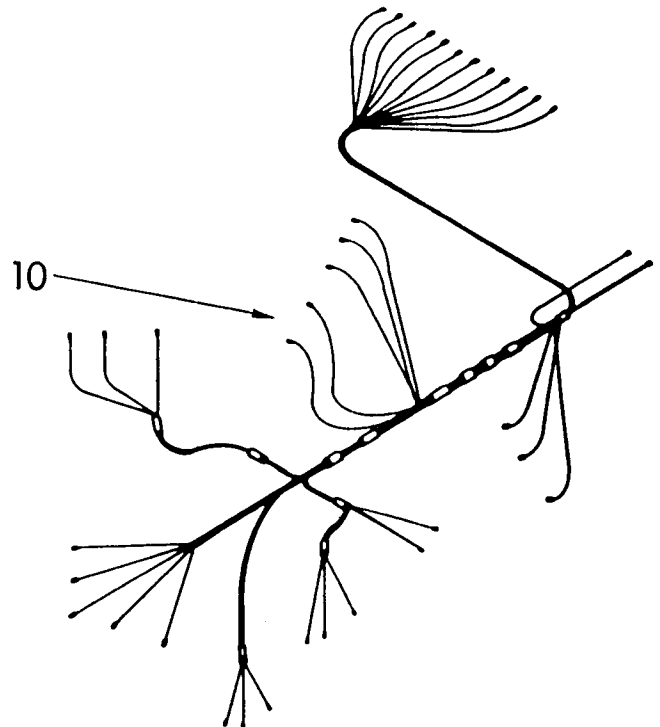
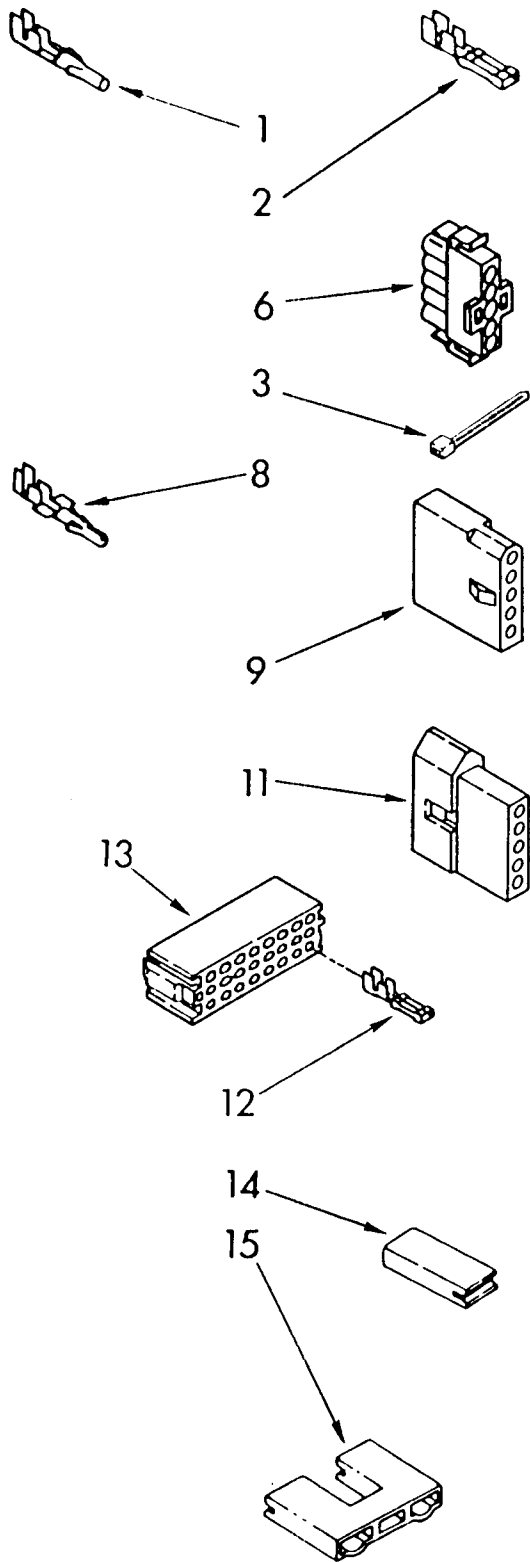
FOR ORDERING INFORMATION REFER TO PARTS PRICE LIST

| | | |
|----|---------|---|
| 1 | 302720 | Plate, Perforated (Includes Illus. 5) (Also Order Illus. No. 30) See Note A. |
| 2 | 3367173 | Base, Inlet (Includes Illus. 1 & 5) (Also Order Illus. No. 30) See Note A. |
| 3 | 303573 | Screw, 8-18 x 5/8 St. Stl. |
| 4 | 302710 | Seal, Inlet Base |
| 5 | 302709 | Ball, Check |
| 6 | 303573 | Screw, 8-18 x 5/8 St. Stl. (2) |
| 7 | 302721 | Cover, Valve |
| 8 | 302738 | Valve Stem Kit (Includes Illus. 12, 13 & 22) See Note A. |
| 9 | 303883 | Separator Assembly (Includes Illus. 12, 13 & 22) See Note A. |
| 10 | 302717 | Screw, 8-18 x 1-5/8 St. Stl. (4) |
| 11 | 303510 | Impeller, Wash (Includes Illus. 12 & 13) |
| 12 | 303516 | Screw & Seal, 10-32 x 3/4 |
| 13 | 302711 | Seal, Pump Outlet |
| 14 | 302730 | Outlet, Pump (Includes Illus. 13) |
| 15 | 303573 | Screw, 8-18 x 5/8 St. Stl. (8) |
| 16 | 717000 | Gasket, Pump |
| 17 | 3367725 | Pump & Motor Assembly |
| 18 | 302707 | Bushing, Grind |
| 19 | 302718 | Chopper Kit (Also Order Illus. No. 30) See Note A. |
| 20 | 302705 | Sleeve, Drain Impeller |
| 21 | 718258 | Screw, 8-18 x 5/8 |
| 22 | 302704 | Seal, Drain Cover |
| 23 | 302723 | Cover, Drain (Also Order Illus. No. 30) See Note A. |
| 24 | 675514 | Impeller, Drain Kit (Includes Illus. 31) (Also Order Illus. No. 30) |
| 25 | 3367204 | Base, Pump (Includes Illus. 24) (Also Order Illus. No. 30) |
| 26 | 3367197 | Support, Pump Mounting (4) |
| 27 | 303252 | Slinger (See Note A.) |
| 28 | 3367726 | Motor (Includes Illus. 24, 27 & 31) (Also Order Illus. No. 30) (For Electrical Connector Only, See Wiring Harness Page) |
| 29 | 301817 | Screw, 13-18 x 1-1/2 |
| 30 | 675505 | Pump Seal Kit (Includes Illus. 4, 13 & 22) |
| 31 | 303918 | Tool, Pump Centering (Included With Illus. 24) |

NOTE A: Pump Centering tool required. For Pump Re-Assembling Order Illus. No. 31.

WIRING HARNESS PARTS

For Model: DU9000XR-4



FOR ORDERING INFORMATION REFER TO PARTS PRICE LIST

| | | |
|----|--------|------------------------|
| 1 | 94614 | Terminal |
| 2 | 352088 | Terminal, Female |
| 3 | 309330 | Tie, Cable |
| 6 | 388500 | Connector, 5 Terminal |
| 8 | 94613 | Terminal |
| 9 | 719585 | Receptacle (5-Circuit) |
| 10 | 304512 | Harness, Wiring |
| 11 | 719584 | Cap, 5 Pin |
| 12 | 304759 | Terminal, Timer |
| 13 | | Block, Timer |
| | 304758 | Black |
| | 304757 | White |
| 14 | | Connector Block |
| | 301219 | Alternate |
| | 358736 | Alternate |
| 15 | | Connector Block |
| | 300708 | Alternate |
| | 374230 | Alternate |