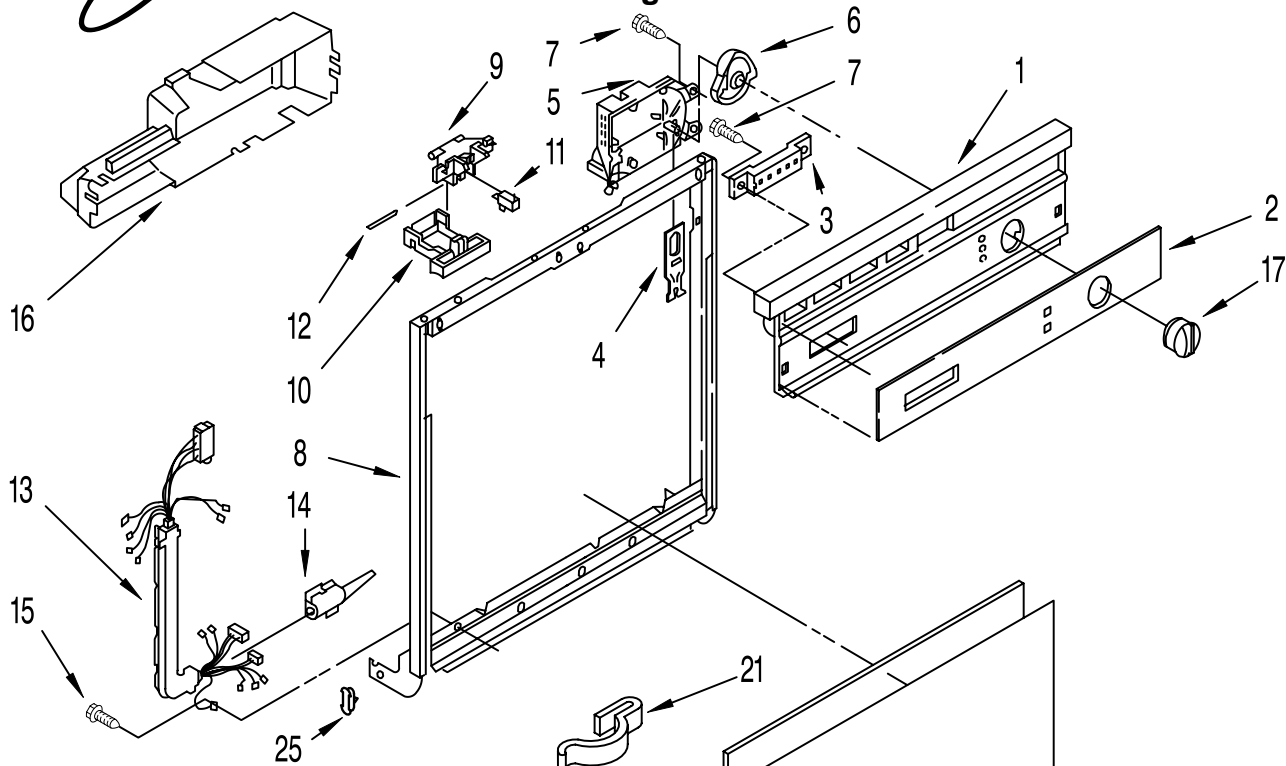




# FRAME AND CONSOLE PARTS

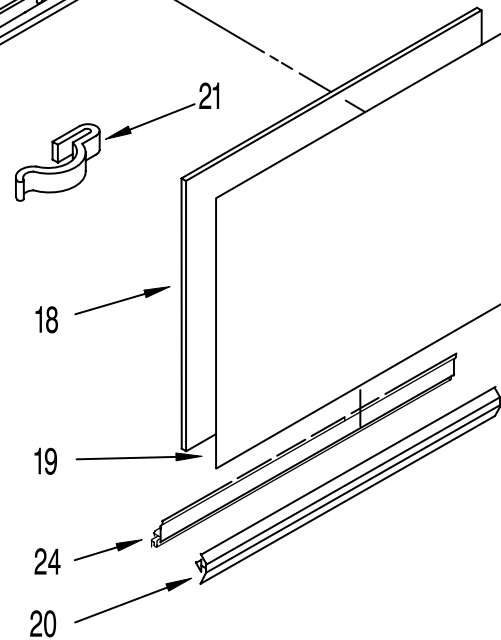
For Model: DU900PCDQ3  
Designer White

UNDERCOUNTER  
DISHWASHER



Illus. No.	Part No.	DESCRIPTION
------------	----------	-------------

1	3375274	Console (Includes Item 2)
2	3376025	Insert, Console
3	3376028	Switch
4	3369529	Follower, Cam
5	3373626	Timer
6	3369415	Cam
7	304231	Screw,
8	3374712	Door Frame (Includes Item 24)
9	3368953	Bolt, Latch
10	3372231	Lever, Latch
11	3369325	Switch, (2)
12	3368955	Pin, Switch (2)
13	3376440	Harness and Protector
14	3376405	Elbow, Harness
15	3400803	Screw
16	3375473	Cover Timer
17	3375349	Knob, Timer
18	3368979	Spacer, Corrugated
19	†3369769	†Panel, Front (Black/White)
20	3374011	Retainer, Panel
21	98997	Clip, Harness
24	3374716	Channel, Retainer (Also Order Item #20)
25	3373234	Bearing, Spring (2)

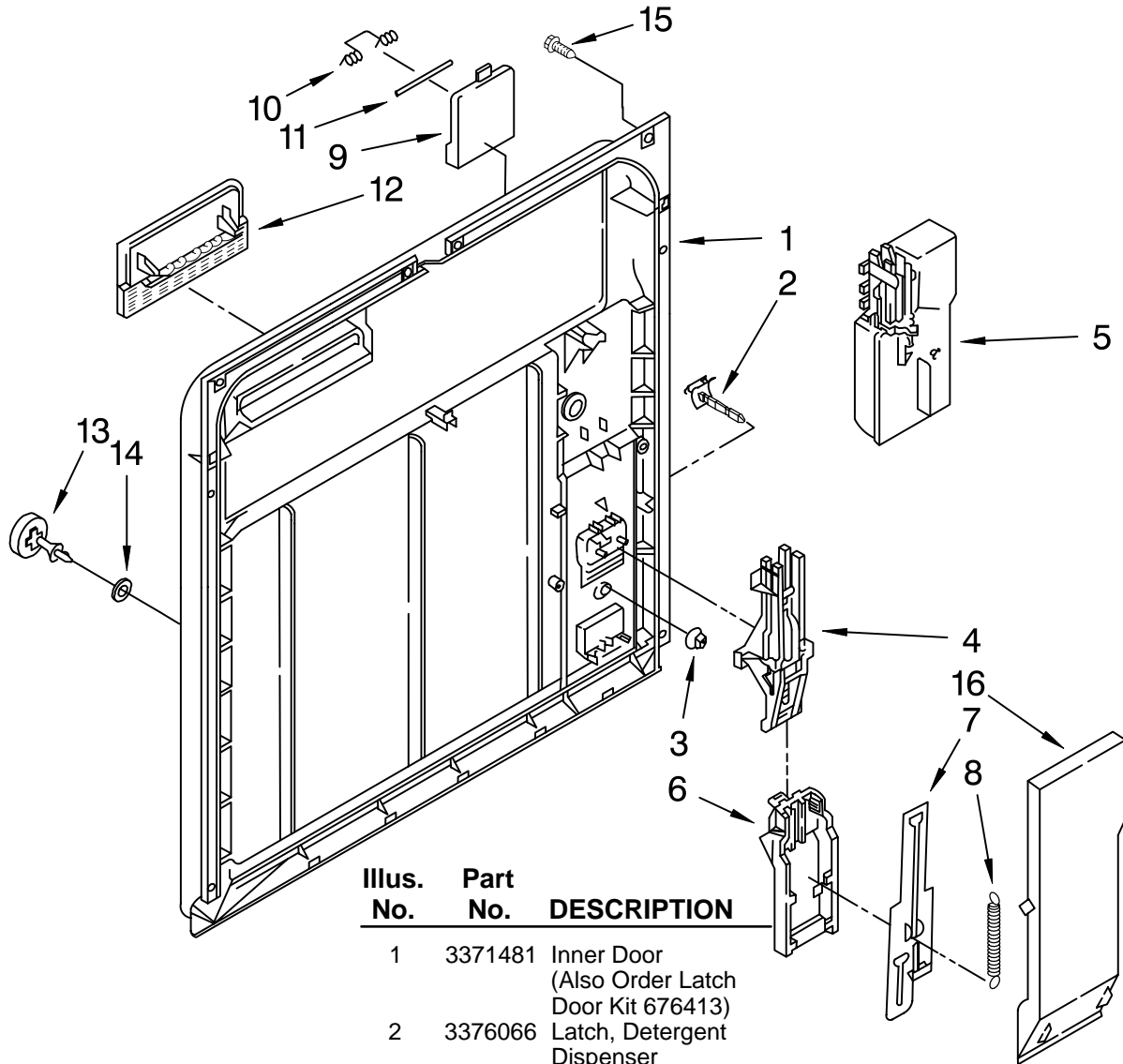


†Refer To Dishwasher Replacement  
Panel Parts List No. 675345.

FOR ORDERING INFORMATION REFER TO PARTS PRICE LIST

# INNER DOOR PARTS

For Model: DU900PCDQ3  
Designer White

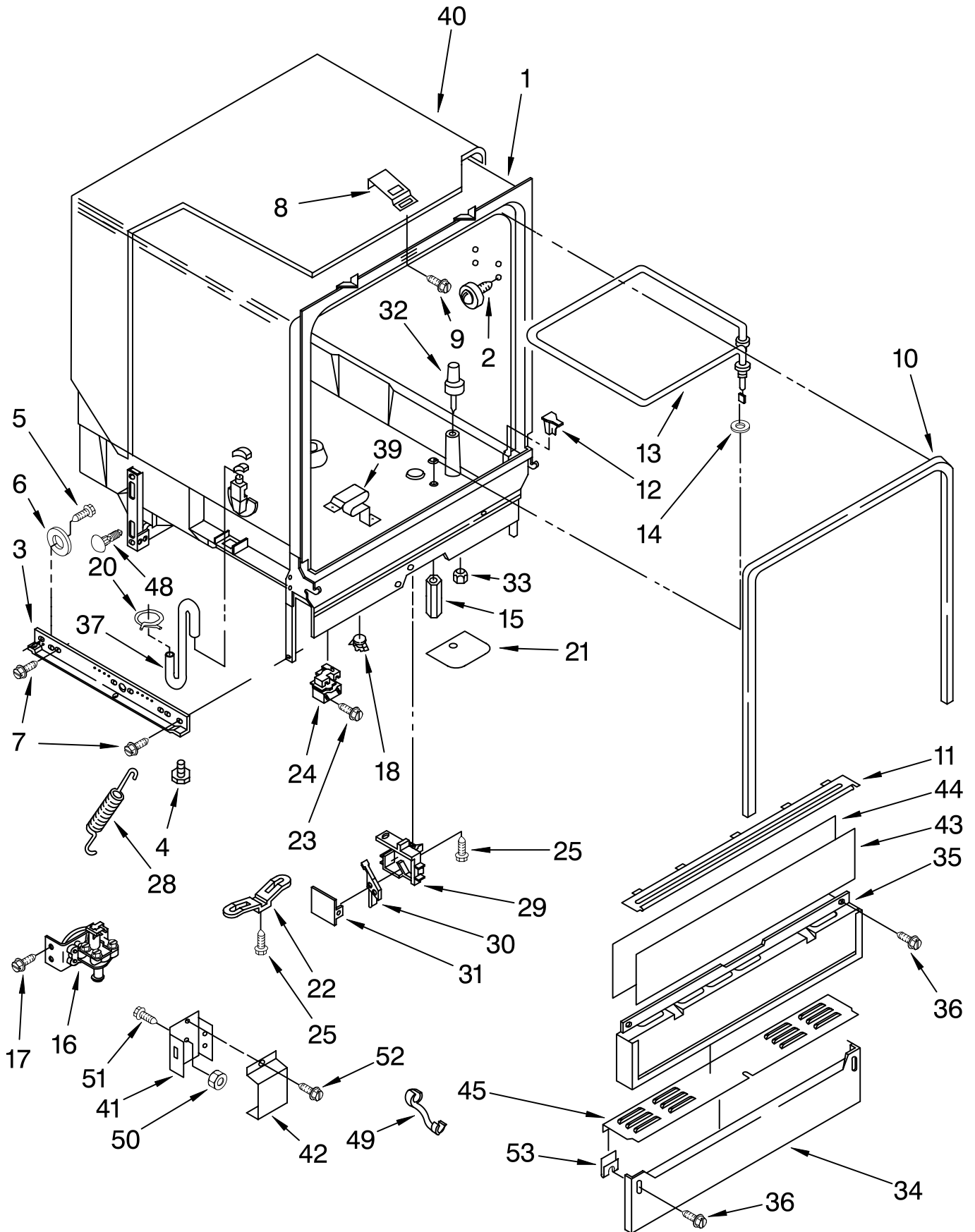


Illus. No.	Part No.	DESCRIPTION
1	3371481	Inner Door (Also Order Latch Door Kit 676413)
2	3376066	Latch, Detergent Dispenser
3	3369061	Snap, Detergent Dispenser
4	3369055	Actuator Assembly
5	3368967	Wet Agent, Dispenser
6	3369000	Draw Bar (Upper Dispenser)
7	3369602	Draw Bar (Lower Dispenser)
8	3368999	Spring (Draw Bar)
9	3376404	Lid Assembly
10	300106	Spring, Lid
11	3372028	Pin (Lid Hinge) (Also Order Item #10)
12	3371710	Screen, Vent
13	3369512	Wet-Agent Cap Assembly
14	3369155	Seal (Wet-Cap)
15	3369051	Screw
16	3371569	Cover, Drip

FOR ORDERING INFORMATION REFER TO PARTS PRICE LIST

# TUB ASSEMBLY PARTS

For Model: DU900PCDQ3  
Designer White



FOR ORDERING INFORMATION REFER TO PARTS PRICE LIST

# TUB ASSEMBLY PARTS

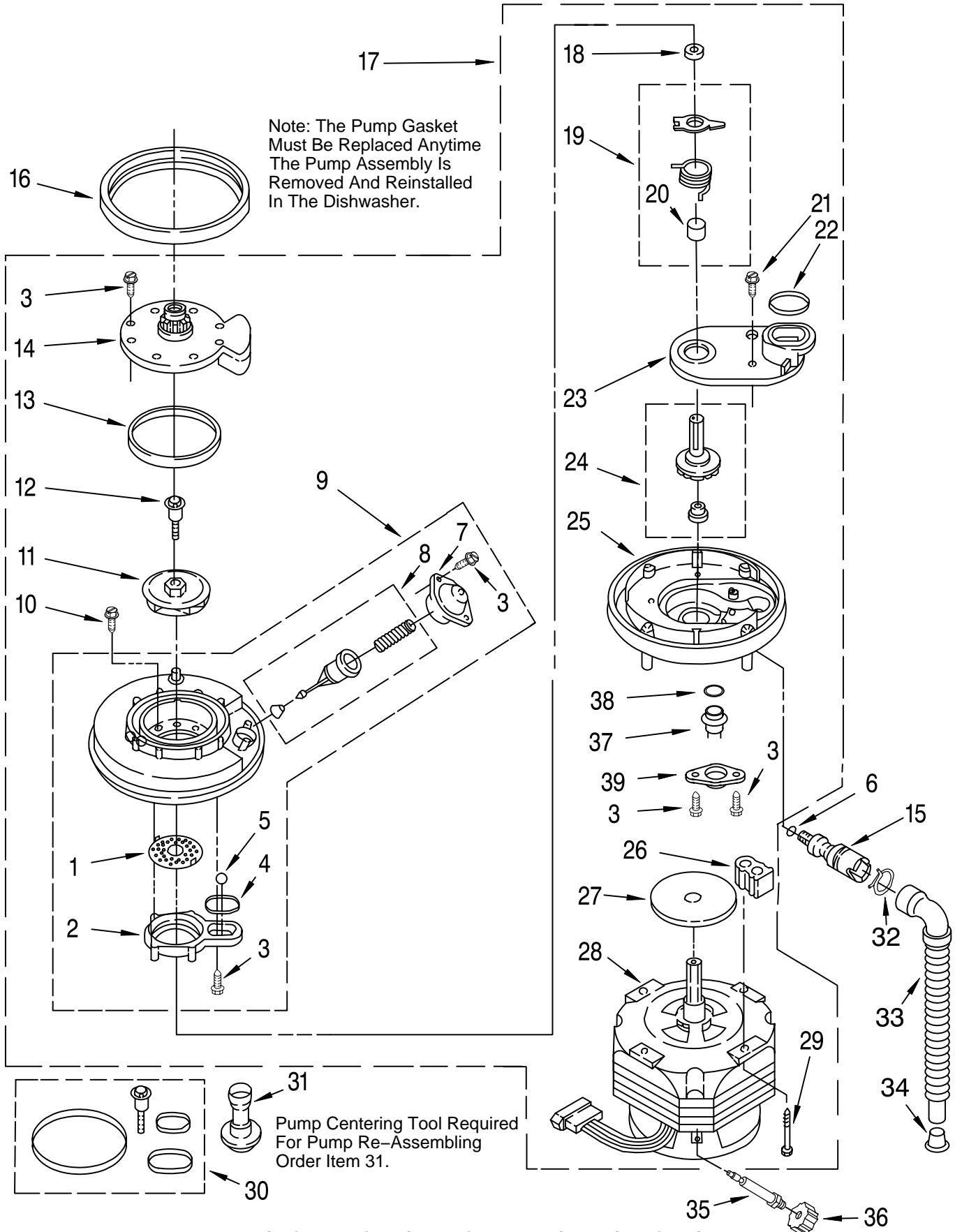
For Model: DU900PCDQ3  
Designer White

Illus. No.	Part No.	DESCRIPTION	Illus. No.	Part No.	DESCRIPTION	Illus. No.	Part No.	DESCRIPTION
1	3375130	Tub Assembly	20	301958	Clamp	39	3368987	Support, Heater (3)
2	3369078	Tub, Wheel Assembly (8)	21	3376149	Shield, Thermostat	40	3374765	Sound Shield
3	3368932	Runner (2)	22	3370555	Bracket, Thermostat	41	3370292	Terminal Box
4	3374849	Leveler (2)	23	3370225	Screw	42	300068	Cover Assembly, Terminal Box
5	3370389	Screw, Shoulder	24	3369447	Relay	43		†Access Panel
6	302819	Wheel (2)	25	304231	Screw		3370868	(White/Black)
7	343641	Screw,	28	3374343	Spring, Door (2)	44	3369526	Spacer, Corrugated
8	3374719	Plate, Latch	29	3369048	Housing, Float Switch	45	3374728	Extension & Clip Assembly
9	3374720	Screw	30	3369067	Switch, Float	48	304666	Retainer, Push (2)
10	3376927	Gasket	31	3369049	Cover, Switch Housing	49	3370307	Strain Relief
11	3372413	Retainer, Access Panel	32	3376397	Float & Washer Assembly	50	3371579	Nut
12	3369052	Deflector (2)	33	717488	Nut	51	3371578	Screw
13	3376843	Heater	34	9742861	Toe Panel	52	3369138	Screw
14	717273	Washer, Rubber (2)	35	3369614	Panel, Access	53	3374718	Clip, Grounding
15	3369073	Nut (2) (Heater Terminal)	36	302868	Screw			
16	3374621	Water Valve	37	3369414	Hose, Inlet			
17	304392	Screw						
18	3369777	Thermostat, Hi-Limit						

† Refer To Dishwasher Replacement Panel Parts List No. 675345.

# PUMP AND MOTOR PARTS

For Model: DU900PCDQ3  
Designer White



FOR ORDERING INFORMATION REFER TO PARTS PRICE LIST

# PUMP AND MOTOR PARTS

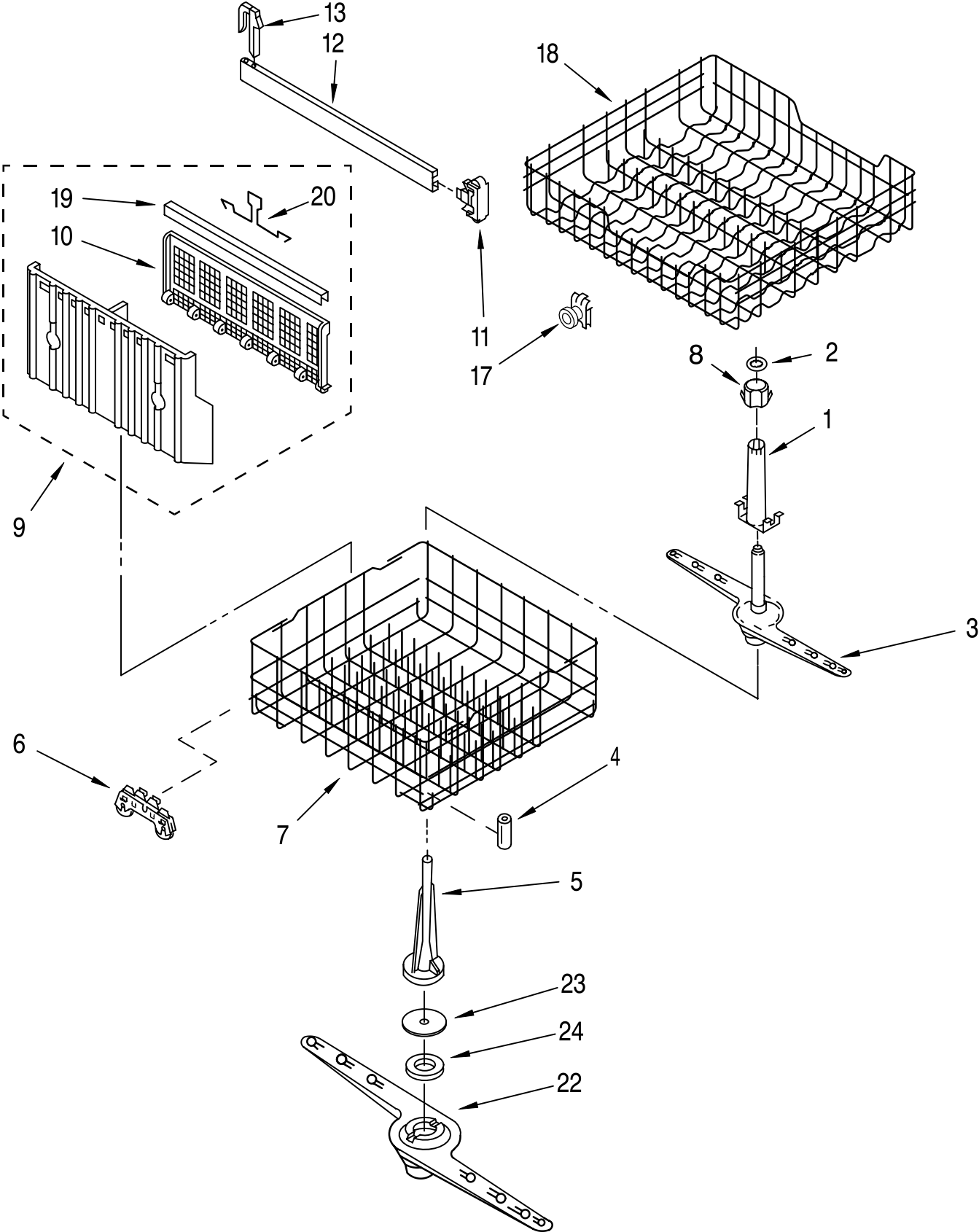
For Model: DU900PCDQ3  
Designer White

Illus. No.	Part No.	DESCRIPTION	Illus. No.	Part No.	DESCRIPTION	Illus. No.	Part No.	DESCRIPTION
1	9740982	Plate, Perforated (Includes Item 5) (Also Order Item 30) See Note A.	14	3369478	Outlet, Pump (Includes Item 13)	26	3367197	Support, Pump Mounting (4)
2	3367173	Base, Inlet (Includes Items 1 & 5) (Also Order Item 30) See Note A.	15	3369482	Check Valve (Includes Item 6)	27	3368270	Slinger (See Note A.)
3	9741232	Screw	16	717000	Gasket, Pump	28	3378053	Motor & Fan Assembly (Includes Item 27) (Also Order Item 30) See Note A.
4	302710	Seal, Inlet Base	17	3376752	Pump & Motor Assembly (Includes Item 16)	29	3369331	Screw
5	302709	Ball, Check	18	302707	Bushing, Grind	30	675505	Pump Seal Kit (Includes Items 4, 12, 13 & 22)
6	95080	"O" Ring	19	302718	Chopper Kit (Also Order Item 30) See Note A.	31	303918	Tool, Pump Centering
7	302721	Cover, Valve	20	302705	Sleeve, Drain Impeller	32	356138	Clamp, Hose
8	302738	Valve Stem Kit (Includes Items 12, 13 & 22) See Note A.	21	9741321	Screw	33	3374077	Hose, Drain
9	303883	Separator Assembly (Includes Items 12, 13 & 22) See Note A.	22	302704	Seal, Drain Cover	34	3371748	Cap, Drain
10	3400001	Screw	23	302723	Cover, Drain (Also Order Item 30) See Note A.	35	3374757	Shaft, Absorber
11	303510	Impeller, Wash (Includes Items 12 & 13)	24	303539	Impeller, Drain Kit (Also Order Item 30) See Note A.	36	3374756	Weight, Absorber
12	3371152	Screw & Seal	25	3376157	Base, Pump (Also Order Item 30) See Note A.	37	3376722	Thermostat
13	302711	Seal, Pump Outlet				38	3376723	Seal, O-Ring
						39	3376358	Retainer, Thermostat

**NOTE A:**  
Pump Centering Tool Required  
For Pump Re-Assembling—  
Order Item 31.

# DISHRACK PARTS

For Model: DU900PCDQ3  
Designer White



FOR ORDERING INFORMATION REFER TO PARTS PRICE LIST

# DISHRACK PARTS

For Model: DU900PCDQ3  
Designer White

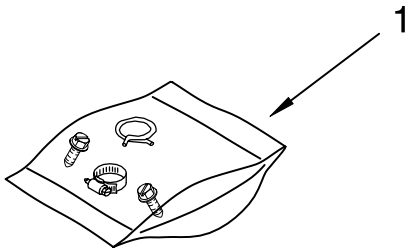
<b>Illus. No.</b>	<b>Part No.</b>	<b>DESCRIPTION</b>
1	3368290	Support, Arm (Also Order Items 2 & 8)
2	303722	Clip
3	3368300	Spray Arm, Upper (Also Order Items 2 & 8)
4	3368006	Bumper (2)
5	300848	Tower, Pressure
6	3376961	Wheel & Transport Assembly (4)
7	3370490	Dishrack, Lower (Includes Items 4 & 6)
8	3374702	Support Lock, Spray Arm
9	3369488	Silverware Basket Assembly
10	3369485	Cover, Basket
11	300845	End Cap (Front or Rear)
12	3369071	Track
13	3374701	Stop, Track (2)
17	3371581	Wheel & Axle Assembly (4)
18	3371663	Dishrack, Upper
19	717528	Trim, Basket
20	300086	Handle, Basket
22	3369347	Sprayarm, Lower
23	3367910	Cap, Nozzle
24	719576	Bearing, Nozzle

FOR ORDERING INFORMATION REFER TO PARTS PRICE LIST



# MISCELLANEOUS PARTS

For Model: DU900PCDQ3  
Designer White



Illus. No.	Part No.	DESCRIPTION
1	3369816	Miscellaneous Parts Bag (Includes 2 Screws & 2 Hose Clamps)

## LITERATURE AND OPTIONAL PARTS

Illus. No.	Part No.	DESCRIPTION	Illus. No.	Part No.	DESCRIPTION	Illus. No.	Part No.	DESCRIPTION
<b>LITERATURE PARTS</b>			<b>OPTIONAL PARTS NOT INCLUDED</b>					
LIT3369679		Instructions, Installation	<b>PAINT, TOUCH-UP (1/2oz.)</b>			<b>DISHRACK REPAIR</b>		
LIT3367007		Instructions, Installation (Supplement) (Locating Your Water Supply)	72017	White		675576		Vinyl Touch-Up (Blue)
LIT3373484		Energy Guide	72107	Almond		675677		Tine Tip Repair Kit (Blue-- Enough For Two Complete Dishracks)
LIT3373751		Guide, Use & Care	72032	Black		676453		Vinyl Touch-Up (White)
LIT3373631		Wiring Diagram	<b>PAINT, PRESSURIZED SPRAY (13 oz.)</b>			675679		Tine Tip Repair Kit (White-- Enough For Two Complete Dishracks)
LIT0677967		Do-It Yourself, Manual	350956	Almond		676455		Vinyl Touch-Up (Grey)
<b>ACCESSORY PARTS</b>			285006	Superior Black		676458		Tine Tip Repair Kit (Grey-- Enough For Two Complete Dishracks)
			350941	Primer (White)				
			<b>PAINT, TOUCH-UP (1 qt.)</b>					
			978883	Almond (Uncut)				
			799340	Black (Uncut)				
4317925		White						
4317926		Avocado						
4317927		Gold						
4317929		Almond						
4317930		Toast						
4317931		Platinum						
4318050		Heavy Duty						

FOR ORDERING INFORMATION REFER TO PARTS PRICE LIST