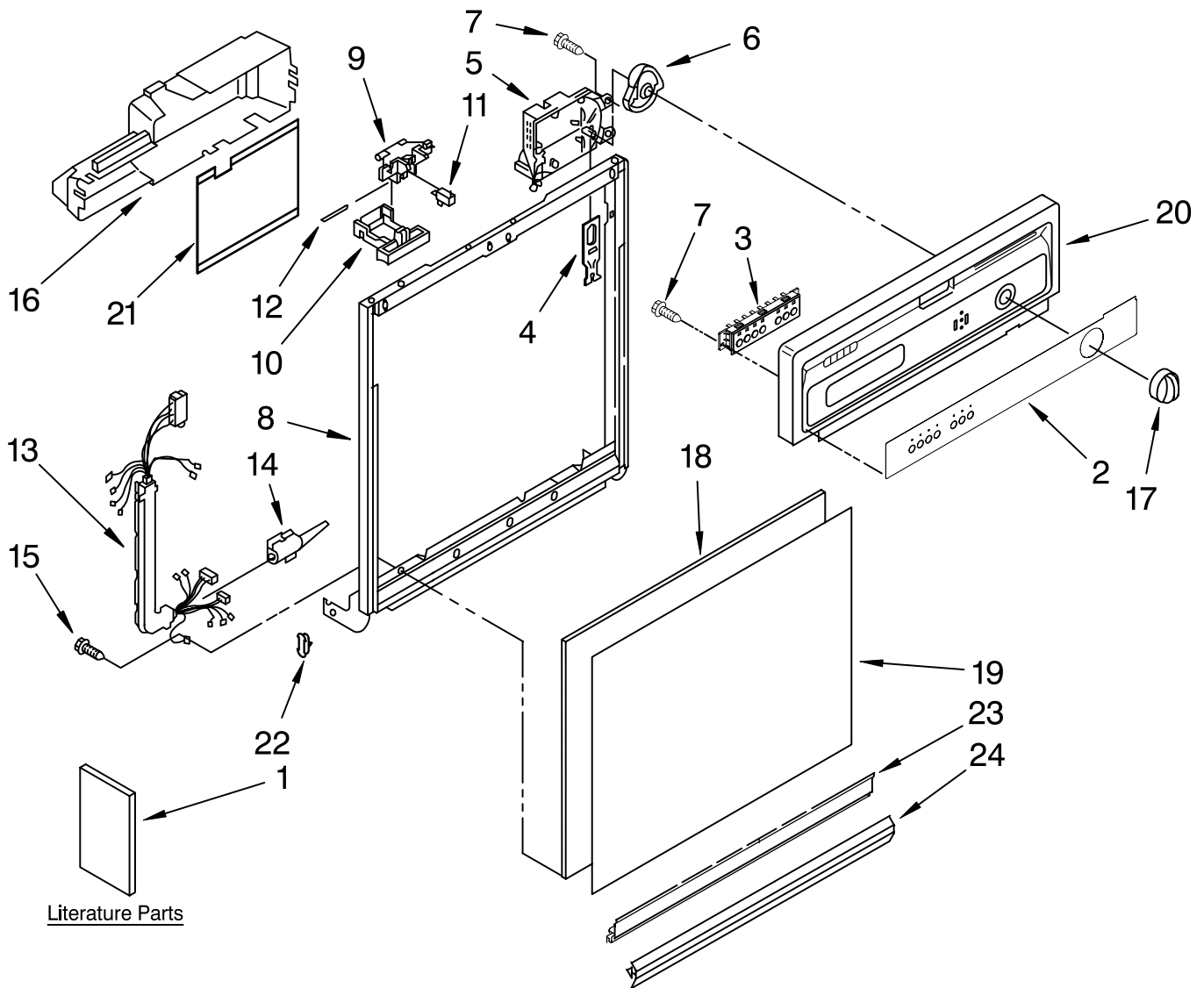




FRAME AND CONSOLE PARTS

For Models: DU895SWPU0

UNDERCOUNTER
DISHWASHER



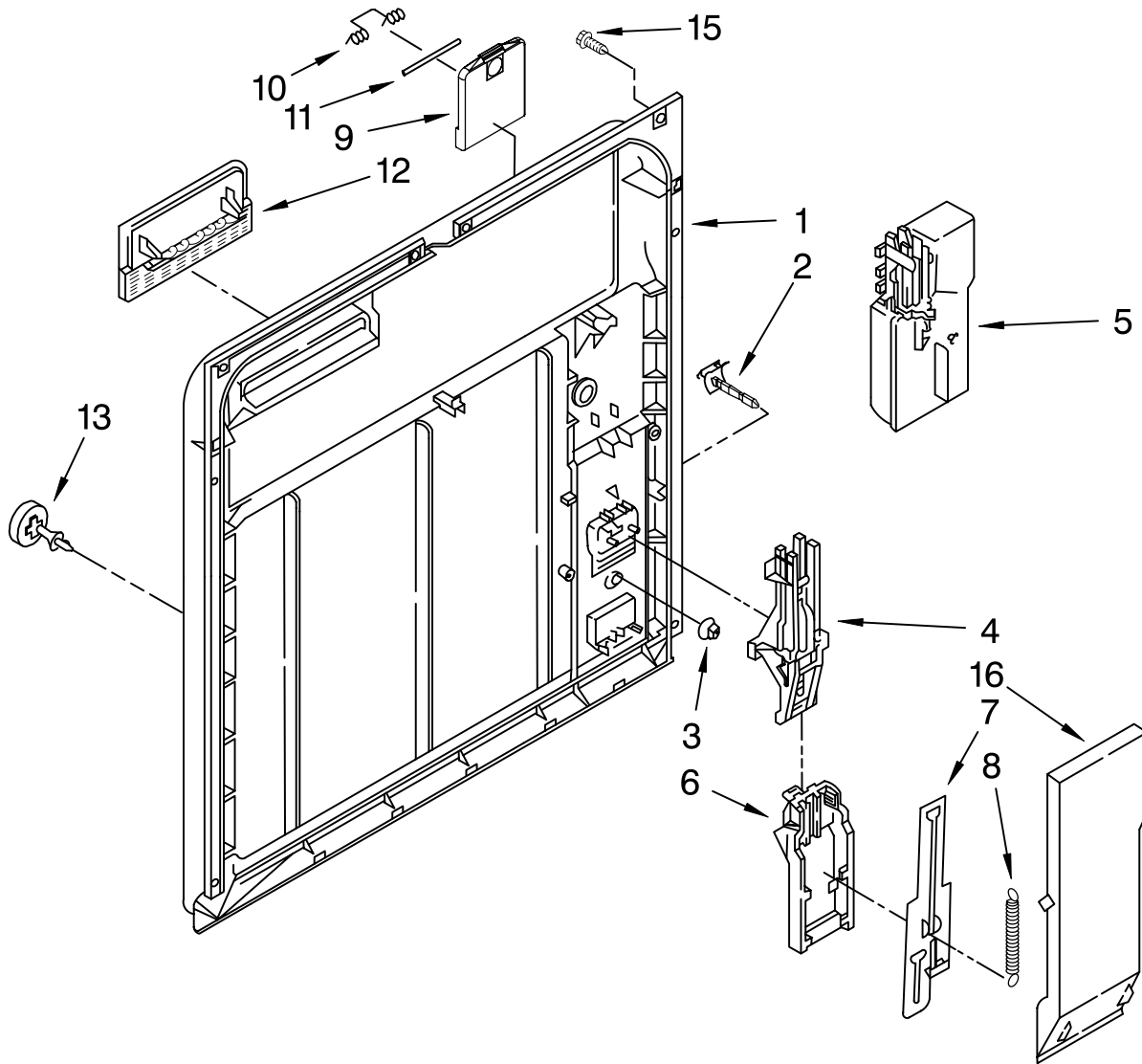
Literature Parts

Illus. No.	Part No.	DESCRIPTION	Illus. No.	Part No.	DESCRIPTION	Illus. No.	Part No.	DESCRIPTION		
1	8535436	Literature Parts Instructions, Installation	9	3380854	Bolt, Latch Lever, Latch	19	3369516	Panel, Front Almond/Black		
	W10133202	Guide, Energy	10	3369457	Black		8274853	White/Biscuit		
	W10039800	Guide, Use & Care	11	3369325	Switch	20		Console (Includes Item 2)		
2	W10133196	Black	12	3368955	Pin, Switch		W10142886	Black		
	8269367	Switch	13	8573182	Harness and Protector	21	3379671	Shield, Control Cover		
	4	3369529	Follower, Cam	14	3376405	Elbow, Harness	22	3373234	Bearing, Spring	
	5	W10039480	Timer	15	3400892	Screw		23	3374716	Channel, Retainer (Also Order Item 24)
	6	8271510	Cam	16	8269526	Cover, Control	24	3374010	Retainer, Panel	
	7	304231	Screw,	17	8275308	Black				
	8	9743028	Door Frame Black	18	3368979	Spacer				

FOR ORDERING INFORMATION REFER TO PARTS PRICE LIST

INNER DOOR PARTS

For Models: DU895SWPU0



Illus. No.	Part No.	DESCRIPTION
1	8528310	Inner Door (Includes Items 2 & 3)
2	3376066	Latch, Detergent Dispenser (Includes Item 3)
3	3369061	Snap, Detergent Dispenser (Includes Item 2)

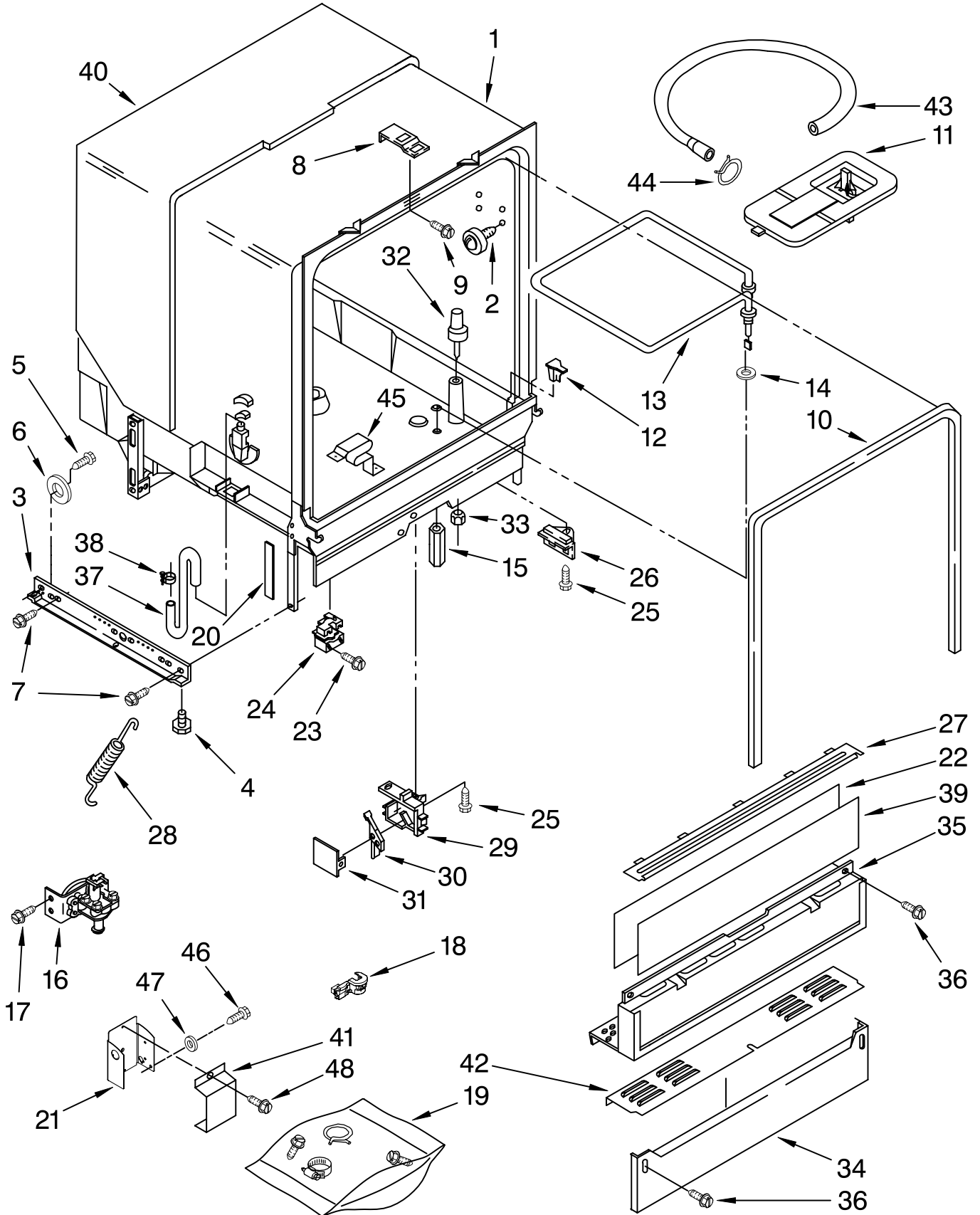
Illus. No.	Part No.	DESCRIPTION
4	8519606	Actuator Assembly
5	8052027	Wet Agent, Dispenser
6	3369000	Draw Bar (Upper Dispenser)
7	8066017	Draw Bar (Lower Dispenser)
8	3368999	Spring (Draw Bar)

Illus. No.	Part No.	DESCRIPTION
9	3378138	Lid Assembly
10	8066018	Spring, Lid
11	3372028	Pin (Lid Hinge)
12	3371710	Screen, Vent
13	3378134	Cap, Wet Agent
15	3400815	Screw
16	3371569	Cover, Drip

FOR ORDERING INFORMATION REFER TO PARTS PRICE LIST

TUB ASSEMBLY PARTS

For Models: DU895SWPU0



FOR ORDERING INFORMATION REFER TO PARTS PRICE LIST

TUB ASSEMBLY PARTS

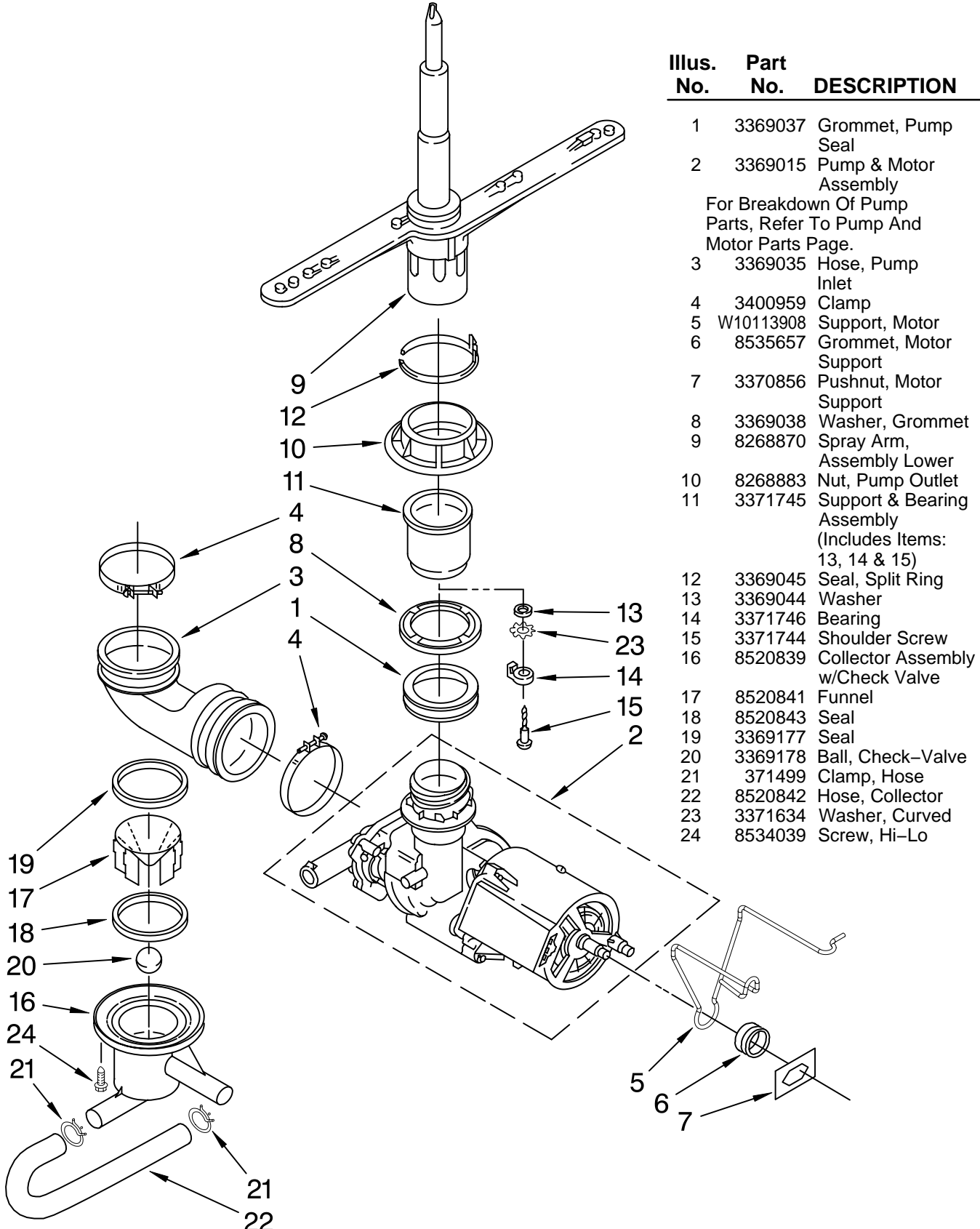
For Models: DU895SWPU0

Illus. No.	Part No.	DESCRIPTION	Illus. No.	Part No.	DESCRIPTION	Illus. No.	Part No.	DESCRIPTION
1	W10082657	Tub and Support Assembly	18	8573061	Strain Relief	32	8519552	Float
2	8528831	Tub, Wheel Assembly	19	3369816	Miscellaneous Parts Bag (Includes 2 Screws & 2 Hose Clamps)	33	717488	Nut
3	3368933	Runner				34		Panel, Toe
4	3374849	Leveler	20	8052018	Pad, Friction		3368942	Black
5	3370389	Screw, Shoulder	21	W10136706	Terminal Box	35	3369193	Panel, Access
6	302819	Wheel	22	3369526	Spacer	36	302868	Screw
7	343641	Screw	23	3370225	Screw	37	3369414	Hose, Inlet
8	3378149	Plate, Latch	24	3369063	Relay	38	301958	Clamp
9	3374720	Screw	25	304231	Screw	39		Panel, Access Front
10	W10082795	Gasket	26	3368928	Fuse, Thermal		3369527	Almond/Black
11	3369322	Grate	27	3372412	Retainer, Access Panel	40	3385409	Biscuit/White
12	8528862	Deflector	28	3373228	Spring, Door	41	8573243	Sound Shield
13	8519827	Heater	29	8318218	Housing, Float Switch	42	300068	Cover Assembly, Terminal Box
14	717273	Washer, Rubber				43	3369531	Extension
15	8268548	Nut (Heater Terminal)	30	3369067	Switch, Float	44	3374077	Drain Hose
16	8283345	Water Valve	31	8318219	Cover, Switch Housing	45	356138	Hose Clamp
17	304392	Screw				46	3379740	Support, Heater
						47	3400014	Screw
						48	3378128	Washer
							3369138	Screw

FOR ORDERING INFORMATION REFER TO PARTS PRICE LIST

PUMP AND SPRAY ARM PARTS

For Models: DU895SWPU0

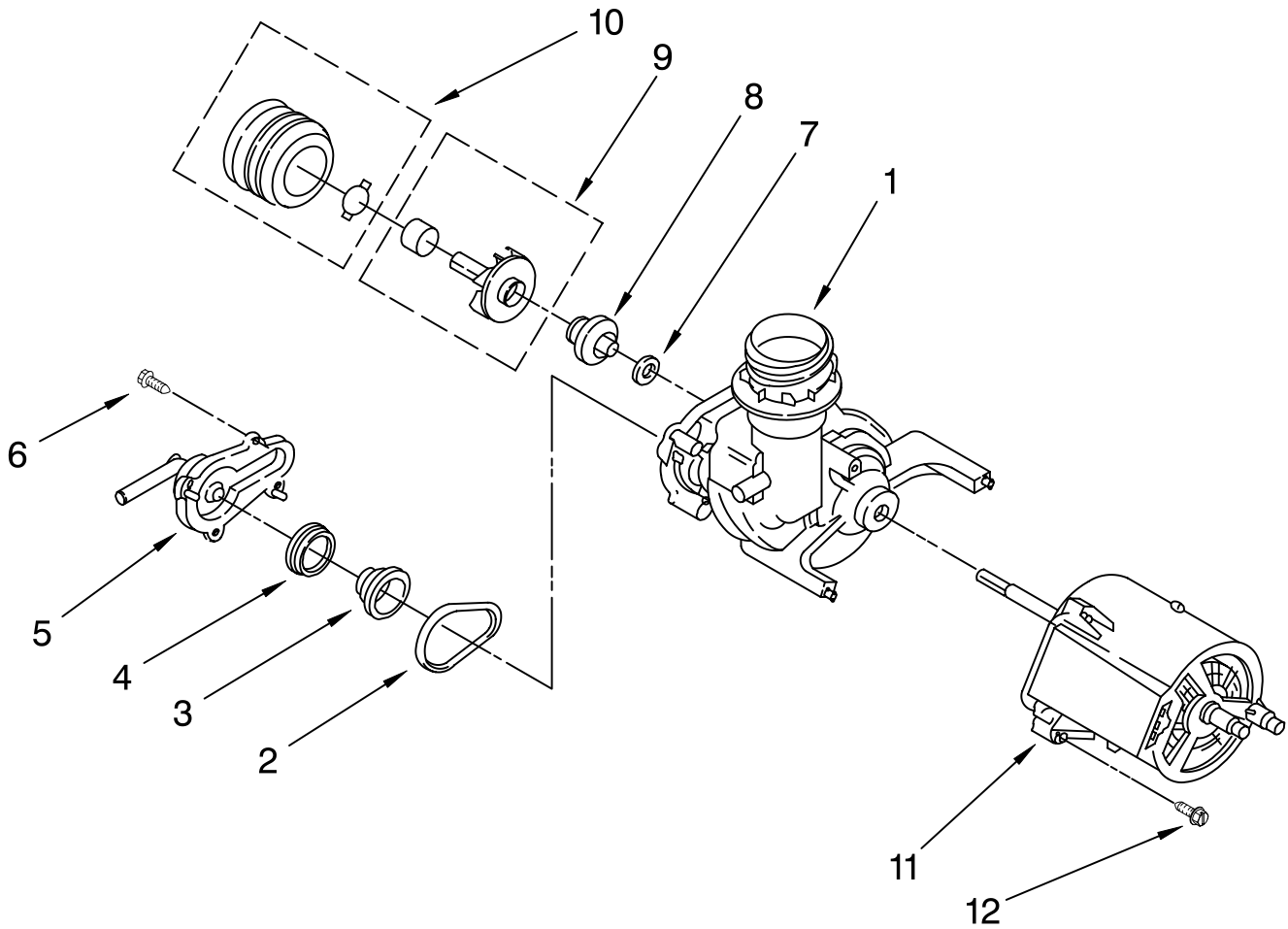


Illus. No.	Part No.	DESCRIPTION
1	3369037	Grommet, Pump Seal
2	3369015	Pump & Motor Assembly
For Breakdown Of Pump Parts, Refer To Pump And Motor Parts Page.		
3	3369035	Hose, Pump Inlet
4	3400959	Clamp
5	W10113908	Support, Motor
6	8535657	Grommet, Motor Support
7	3370856	Pushnut, Motor Support
8	3369038	Washer, Grommet
9	8268870	Spray Arm, Assembly Lower
10	8268883	Nut, Pump Outlet
11	3371745	Support & Bearing Assembly (Includes Items: 13, 14 & 15)
12	3369045	Seal, Split Ring
13	3369044	Washer
14	3371746	Bearing
15	3371744	Shoulder Screw
16	8520839	Collector Assembly w/Check Valve
17	8520841	Funnel
18	8520843	Seal
19	3369177	Seal
20	3369178	Ball, Check-Valve
21	371499	Clamp, Hose
22	8520842	Hose, Collector
23	3371634	Washer, Curved
24	8534039	Screw, Hi-Lo

FOR ORDERING INFORMATION REFER TO PARTS PRICE LIST

PUMP AND MOTOR PARTS

For Models: DU895SWPU0

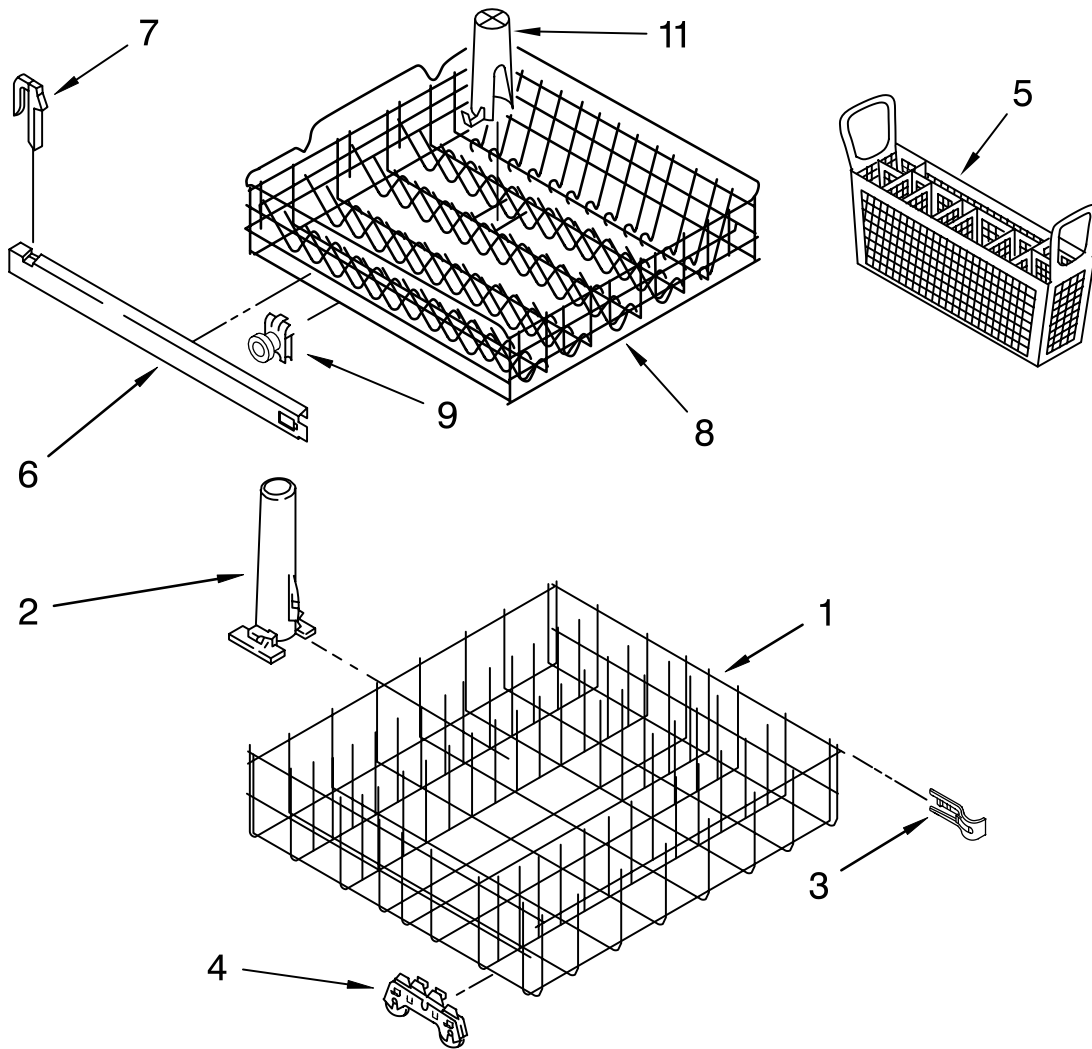


Illus. No.	Part No.	DESCRIPTION
1	3369011	Housing Assembly
2	3369031	Seal, Drain Cover
3	8563504	Diaphragm
4	3369029	Ring, Diaphragm
5	3369030	Cover, Drain Valve
6	3368921	Screw (4)
7	3369020	Seal Seat
8	3385557	Seal Head
9	3369013	Impeller & Bearing Assembly
10	3369012	Disk & Mount Assembly
11	8283457	Motor
12	3368922	Screw

FOR ORDERING INFORMATION REFER TO PARTS PRICE LIST

DISHRACK PARTS

For Models: DU895SWPU0



Illus. No.	Part No.	DESCRIPTION
1	8539225	Dishrack, Lower
2	8268825	Tower, Protector
3	3385142	Bumper, Dishrack
4	8268645	Wheel & Transport Assembly
5	8268866	Basket, Silverware
6	3385089	Track, Dishrack
7	8565920	Stop, Track
8	8539222	Dishrack, Upper
9	8268852	Wheel & Axle Assembly
11	8519550	Diffuser, Water

FOR ORDERING INFORMATION REFER TO PARTS PRICE LIST

OPTIONAL PARTS (NOT INCLUDED)

For Models: DU895SWPU0

Illus. No.	Part No.	DESCRIPTION	Illus. No.	Part No.	DESCRIPTION	Illus. No.	Part No.	DESCRIPTION
<u>ACCESSORIES</u>			<u>PAINT, TOUCH-UP (1/2oz.)</u>			<u>POWER CORD KIT</u>		
		Side Panel Kits						
	4378867	White		72017	White		4317824	Power Cord Kit
	4378868	Black		72032	Black			(Includes Power
	675788	Biscuit		4392899	Biscuit			Cord & Misc.
	4378869	Almond						Hardware)
		Custom Trim & Panel Kits	<u>PAINT, PRESSURIZED SPRAY</u>			<u>ANTI-TIP KIT</u>		
	675775	Black	<u>(12 oz.)</u>					
	675776	White						
	675809	Biscuit		350930	White		4378968	Floor Mounting Kit
		Moisture Barrier Kit		285006	Superior Black			
	4396277	Kit		4392901	Biscuit			
		Drain Hose	<u>PAINT, TOUCH-UP (1 qt.)</u>			<u>DISHRACK REPAIR</u>		
	3385556	12 Ft.						Tip Tine Repair Kit
		Heavy Duty Spring Kit		799344	White (Uncut)			(Enough for Two
	4318050	Spring		4392900	Biscuit			Complete Dishracks)
							4396838	White
							4396840	Grey
							4396854	Silver Atlantis
								Vinyl Touch-Up (4 oz.)
							676453	White
							676455	Grey
							4396853	Silver Atlantis

FOR ORDERING INFORMATION REFER TO PARTS PRICE LIST