

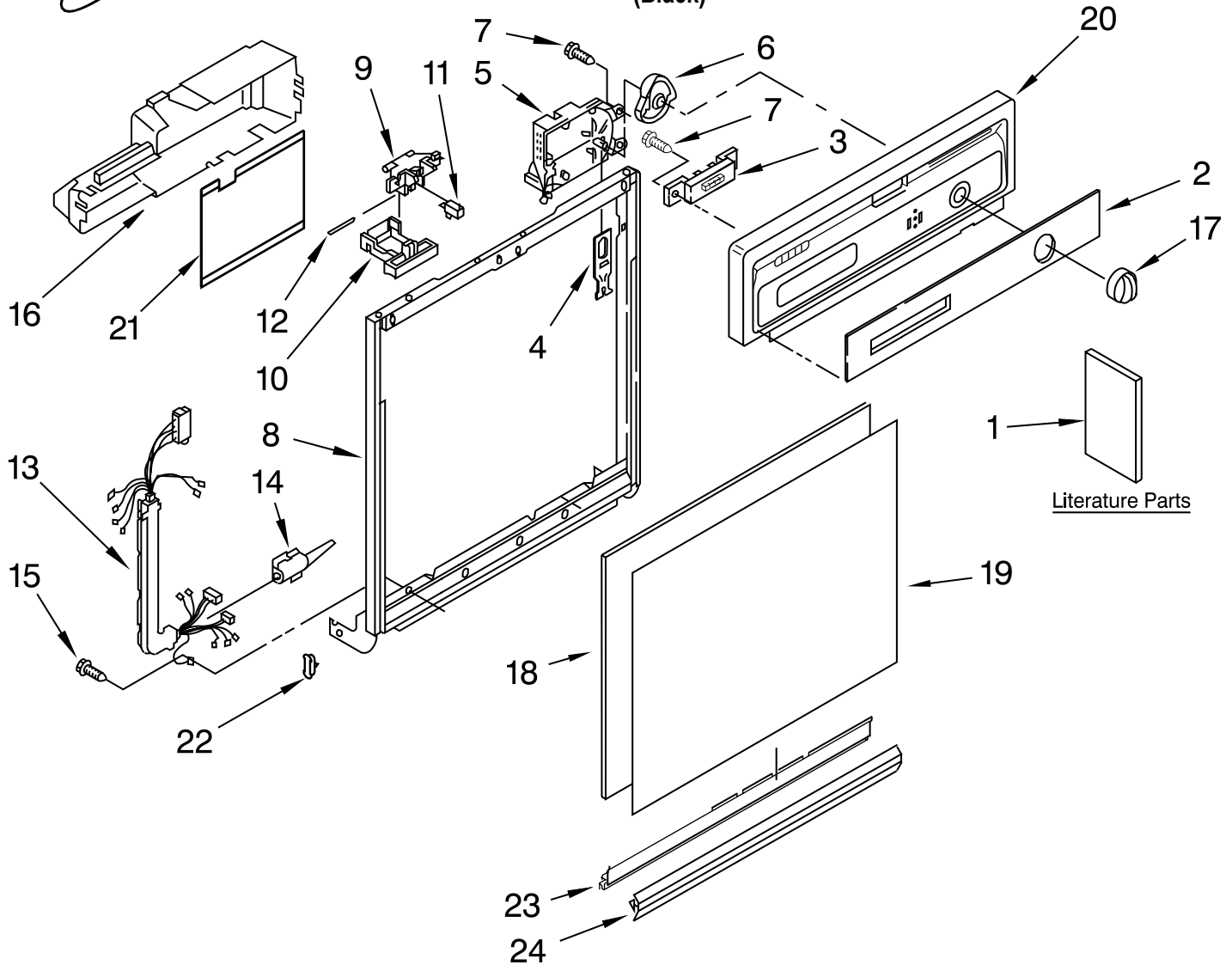


FRAME AND CONSOLE PARTS

For Model: DU850SWPU3

(Black)

UNDERCOUNTER
DISHWASHER



Illus. No.	Part No.	DESCRIPTION
1	8535436	Literature Parts Instructions, Installation
	3367007	Instructions, Installation (Supplement) (Locating Your Water Supply)
	W10039850	Guide, Energy
	W10039800	Guide, Use & Care
	677967	Do-It Yourself Manual
2	W10039600	Insert, Console Black
3	8269366	Switch, 5 Button
4	3369529	Follower, Cam
5	W10039480	Timer

Illus. No.	Part No.	DESCRIPTION
6	8271510	Cam
7	304231	Screw, 8-18 x 1/2 (5)
8	9743028	Black Door Frame
9	3380854	Bolt, Latch
10	3369457	Black Lever, Latch
11	3369325	Switch, (2)
12	3368955	Pin, Switch (2)
13	8573183	Harness and Protector
14	3376405	Elbow, Harness
15	3400892	Screw,
16	8269526	Cover, Control

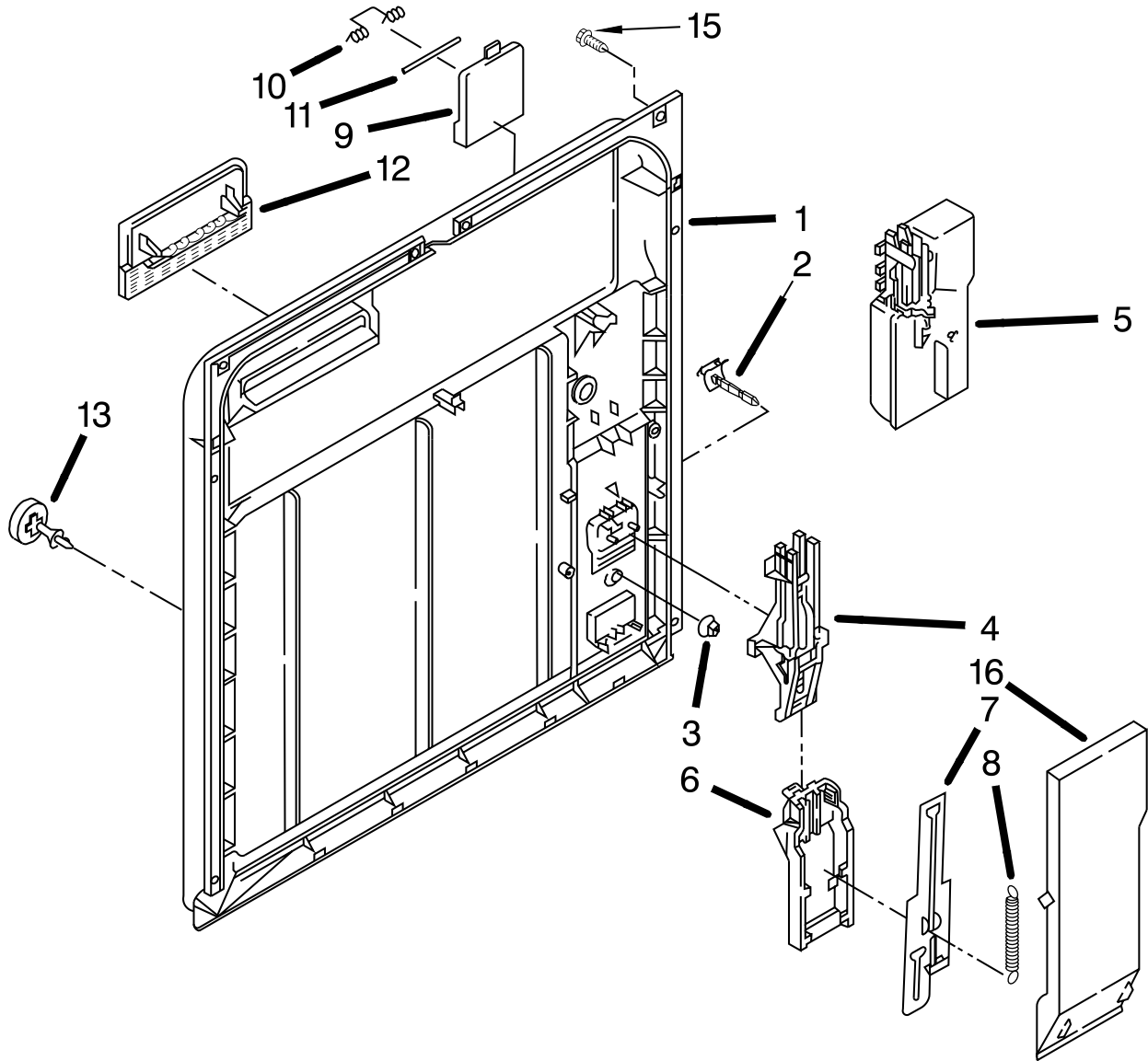
Illus. No.	Part No.	DESCRIPTION
17	8275308	Knob, Timer Black
18	3368979	Spacer, Corrugated
19	3369516	Black/Almond Panel, Front
	8274853	White/Biscuit Console (Includes Item 2)
20	W10072720	Black
21	3379671	Shield, Control Cover
22	3373234	Bearing, Spring (2)
23	3374716	Retainer, Channel
24	3374010	Retainer, Panel

FOR ORDERING INFORMATION REFER TO PARTS PRICE LIST

INNER DOOR PARTS

For Model: DU850SWPU3

(Black)



Illus. No.	Part No.	DESCRIPTION
1	8528310	Inner Door (Includes Items 2 & 3)
2	3376066	Latch, Detergent Dispenser (Includes Item 3)
3	3369061	Snap, Detergent Dispenser (Includes Item 2)

Illus. No.	Part No.	DESCRIPTION
4	8519606	Actuator Assembly
5	8052027	Wet Agent, Dispenser
6	3369000	Draw Bar (Upper Dispenser)
7	8066017	Draw Bar (Lower Dispenser)
8	3368999	Spring (Draw Bar)

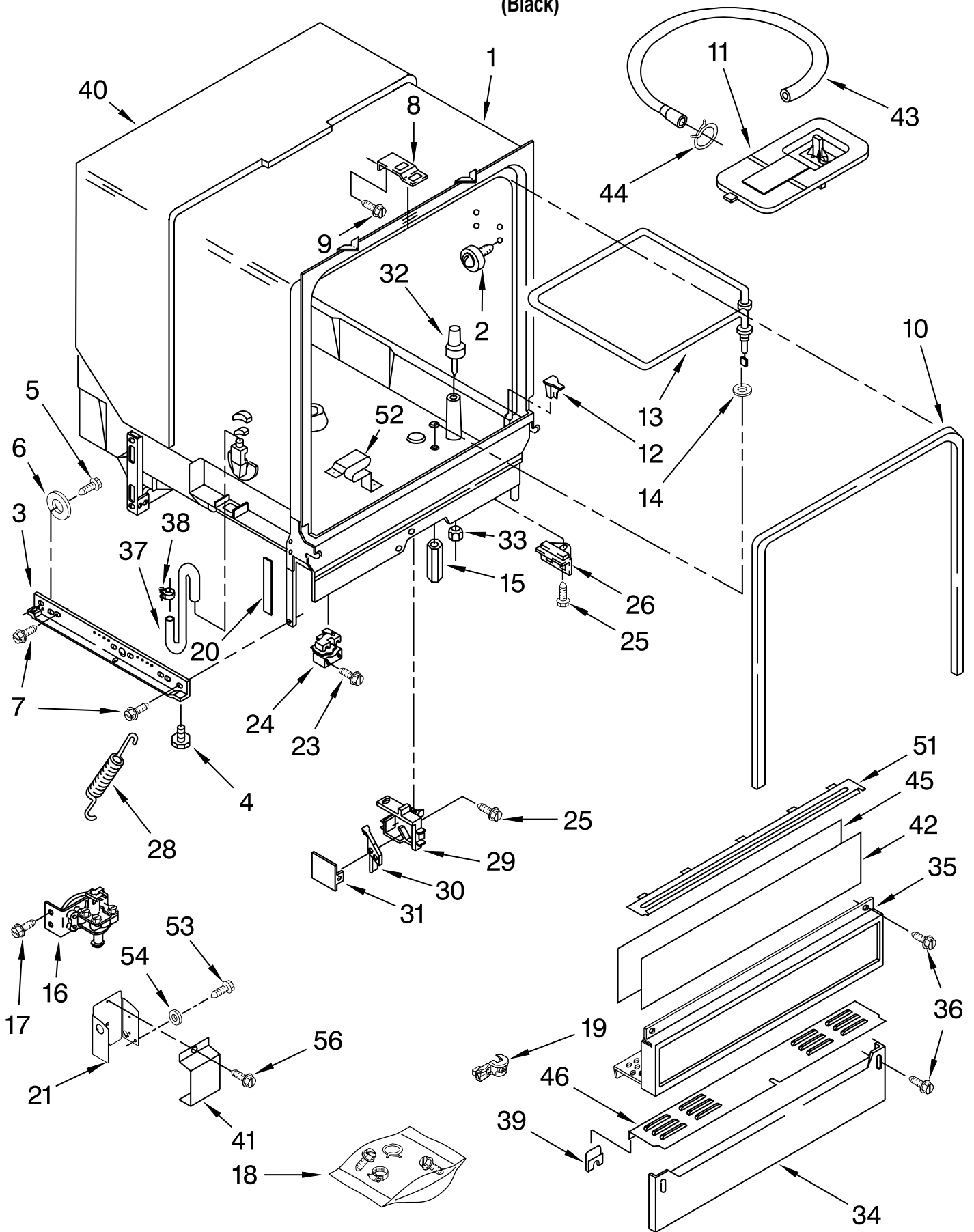
Illus. No.	Part No.	DESCRIPTION
9	3378138	Lid Assembly
10	8066018	Spring, Lid
11	3372028	Pin (Lid Hinge)
12	3371710	Screen, Vent
13	3378134	Cap, Wet Agent
15	3400815	Screw (8)
16	3371569	Cover, Drip

FOR ORDERING INFORMATION REFER TO PARTS PRICE LIST

TUB ASSEMBLY PARTS

For Model: DU850SWPU3

(Black)



FOR ORDERING INFORMATION REFER TO PARTS PRICE LIST

TUB ASSEMBLY PARTS

For Model: DU850SWPU3

(Black)

Illus. No.	Part No.	DESCRIPTION	Illus. No.	Part No.	DESCRIPTION	Illus. No.	Part No.	DESCRIPTION
1	8533815	Tub and Support Assembly	19	8573061	Strain Relief	37	3369414	Hose, Inlet
2	8528831	Tub, Wheel Assembly (8)	20	8052018	Pad, Friction	38	301958	Clamp
3	3368933	Runner (2)	21	8573951	Terminal Box	39	3378123	Clip, Grounding
4	3374849	Leveler (2)	23	3370225	Screw	40	8573243	Sound Shield
5	3370389	Screw, Shoulder (2)	24	3369063	Relay	41	300068	Cover Assembly, Terminal Box
6	302819	Wheel (2)	25	304231	Screw	43	3374077	Drain Hose
7	343641	Screw, 10-16 x 1/2 (4)	26	3368928	Fuse, Thermal	42		Panel, Front (Access Panel)
8	3378149	Plate, Latch	28	3373228	Spring, Door (2)		3369527	Black/Almond
9	3374720	Screw	29	8318218	Housing, Float Switch		3385409	White/Biscuit
10	3376927	Gasket	30	3369067	Switch, Float	44	356138	Hose Clamp
11	3369322	Grate	31	8318219	Cover, Switch Housing	45	3369526	Spacer, Corrugated
12	8528862	Deflector (2)	32	8519552	Float	46	3374728	Extension & Clip Assembly
13	8519827	Heater	33	717488	Nut	51		Retainer, Access
14	717273	Washer, Rubber (2)	34	3368942	Panel, Toe Black		3372412	Black
15	8268548	Nut (2) (Heater Terminal)	35		Panel, Access (Includes Item 39)	52	3379740	Support, Heater (3)
16	8283345	Water Valve		3369193	Black	53	3400014	Screw
17	304392	Screw, 8-18 x 1/2	36	302868	Screw, 8-18 x 1/2 (4)	54	3378128	Washer
18	3369816	Miscellaneous Parts Bag (Includes 2 Screws & 2 Hose Clamps)				56	3369138	Screw, 8-18

FOR ORDERING INFORMATION REFER TO PARTS PRICE LIST

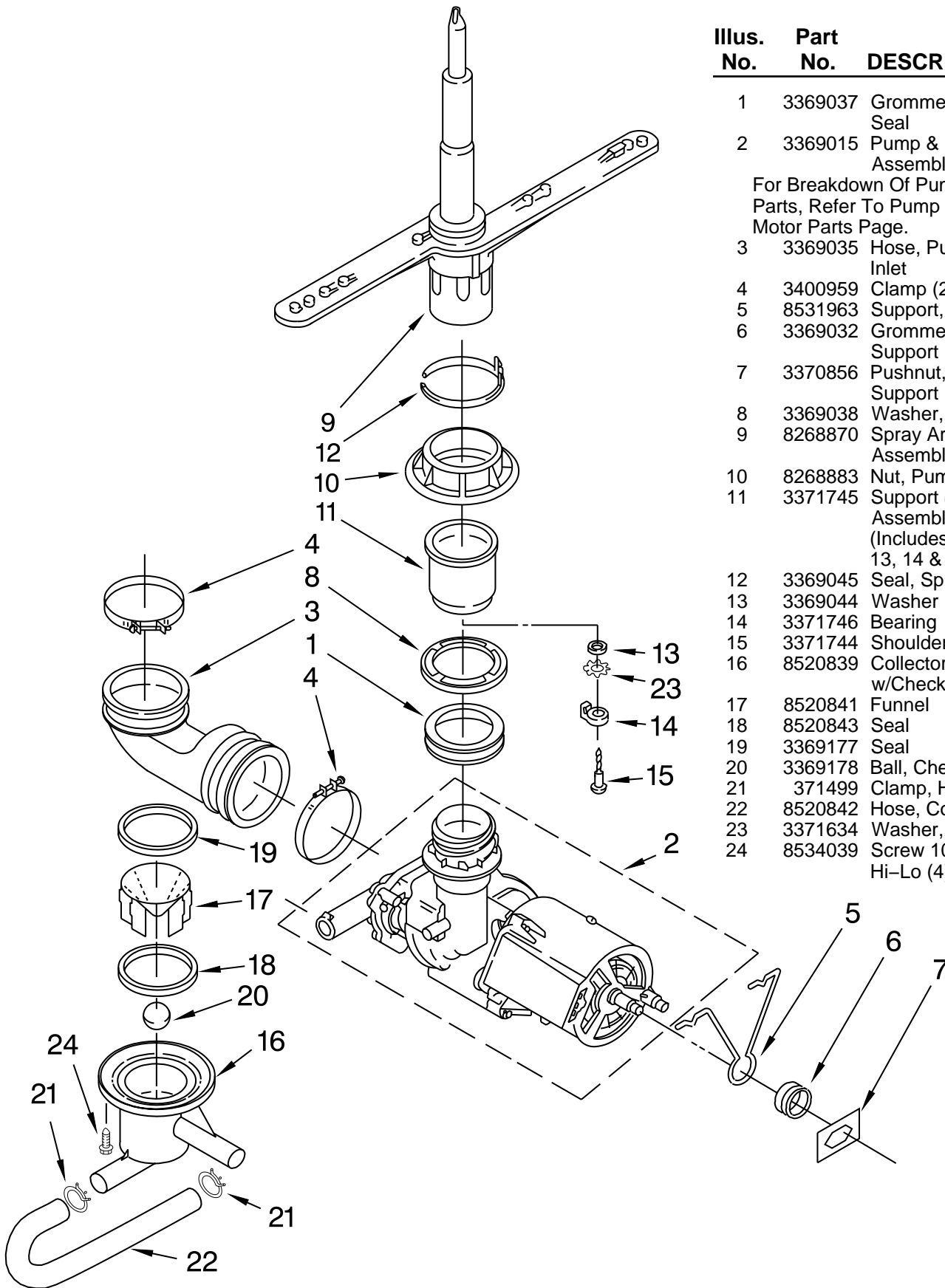
PUMP AND SPRAY ARM PARTS

For Model: DU850SWPU3

(Black)

Illus. No.	Part No.	DESCRIPTION
------------	----------	-------------

- | | | |
|--|---------|---|
| 1 | 3369037 | Grommet, Pump Seal |
| 2 | 3369015 | Pump & Motor Assembly |
| For Breakdown Of Pump Parts, Refer To Pump And Motor Parts Page. | | |
| 3 | 3369035 | Hose, Pump Inlet |
| 4 | 3400959 | Clamp (2) |
| 5 | 8531963 | Support, Motor |
| 6 | 3369032 | Grommet, Motor Support |
| 7 | 3370856 | Pushnut, Motor Support |
| 8 | 3369038 | Washer, Grommet |
| 9 | 8268870 | Spray Arm, Assembly Lower |
| 10 | 8268883 | Nut, Pump Outlet |
| 11 | 3371745 | Support & Bearing Assembly
(Includes Items: 13, 14 & 15) |
| 12 | 3369045 | Seal, Split Ring |
| 13 | 3369044 | Washer |
| 14 | 3371746 | Bearing |
| 15 | 3371744 | Shoulder Screw |
| 16 | 8520839 | Collector Assembly w/Check Valve |
| 17 | 8520841 | Funnel |
| 18 | 8520843 | Seal |
| 19 | 3369177 | Seal |
| 20 | 3369178 | Ball, Check-Valve |
| 21 | 371499 | Clamp, Hose |
| 22 | 8520842 | Hose, Collector |
| 23 | 3371634 | Washer, Curved |
| 24 | 8534039 | Screw 10-16, Hi-Lo (4) |

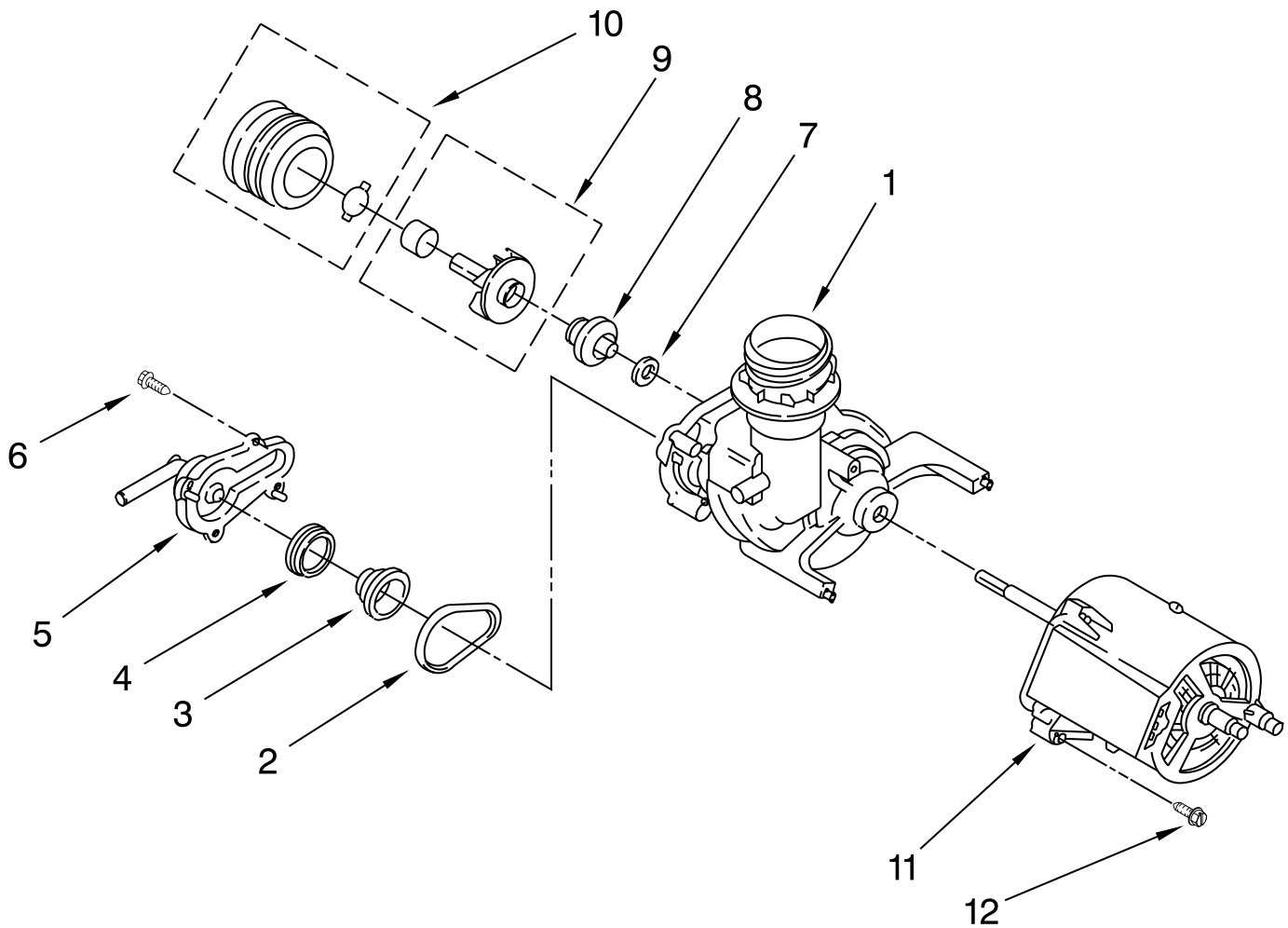


FOR ORDERING INFORMATION REFER TO PARTS PRICE LIST

PUMP AND MOTOR PARTS

For Model: DU850SWPU3

(Black)



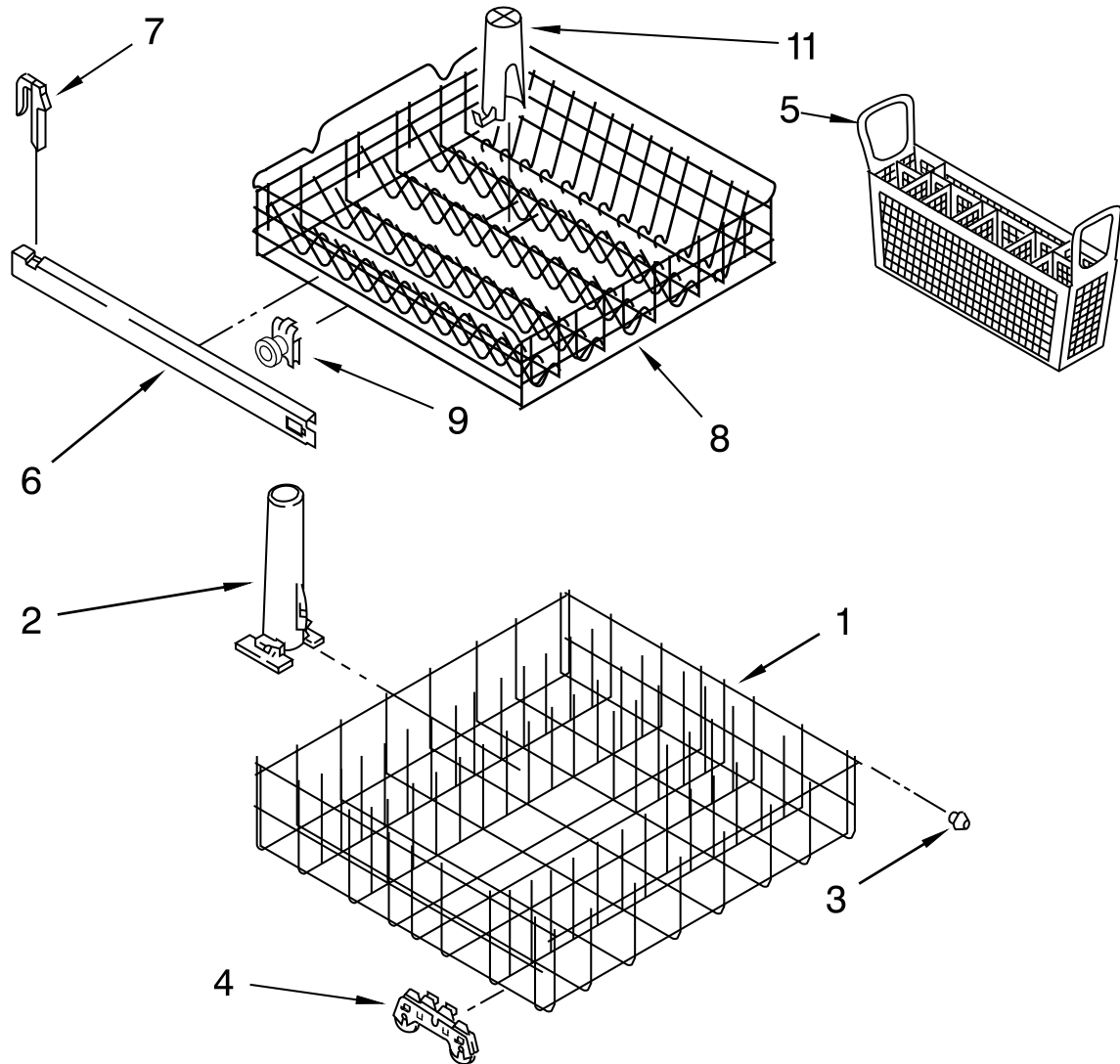
Illus. No.	Part No.	DESCRIPTION
1	3369011	Housing Assembly
2	3369031	Seal, Drain Cover
3	3369028	Diaphragm
4	3369029	Ring, Diaphragm
5	3369030	Cover, Drain Valve
6	3368921	Screw (4)
7	3369020	Seal Seat
8	3385557	Seal Head
9	3369013	Impeller & Bearing Assembly
10	3369012	Disk & Mount Assembly
11	8283457	Motor
12	3368922	Screw (3)

FOR ORDERING INFORMATION REFER TO PARTS PRICE LIST

DISHRACK PARTS

For Model: DU850SWPU3

(Black)



Illus. No.	Part No.	DESCRIPTION
1	8539225	Dishrack, Lower
2	8268825	Tower, Protector
3	3385142	Bumper, Dishrack (2)
4	8268645	Wheel & Transport Assembly (4)
5	8268866	Basket, Silverware
6	3385089	Track, Dishrack (2)
7	8565920	Stop, Track (4)
8	8539222	Dishrack, Upper
9	8268852	Wheel & Axle Assembly (4)
11	8519550	Diffuser, Water

FOR ORDERING INFORMATION REFER TO PARTS PRICE LIST

OPTIONAL PARTS

For Model: DU850SWPU3

(Black)

Illus. No.	Part No.	DESCRIPTION
------------	----------	-------------

ACCESSORIES

Side Panel Kits
4378867 White
4378868 Black
675788 Biscuit
4378869 Almond

Custom Trim & Panel Kits
675775 Black
675776 White
675809 Biscuit

Moisture Barrier Kit
4396277 Kit

Drain Hose
3385556 12 Ft.

Heavy Duty Spring Kit
4318050 Spring

Illus. No.	Part No.	DESCRIPTION
------------	----------	-------------

PAINT, TOUCH-UP (1/2oz.)

72017 White
72032 Black
4392899 Biscuit

PAINT, PRESSURIZED SPRAY (12 oz.)

350930 White
285006 Superior Black
4392901 Biscuit

PAINT, TOUCH-UP (1 qt.)

799344 White (Uncut)
4392900 Biscuit

POWER CORD KIT

4317824 Power Cord Kit
(Includes Power
Cord & Misc.
Hardware)

Illus. No.	Part No.	DESCRIPTION
------------	----------	-------------

ANTI-TIP KIT

4378968 Floor Mounting Kit

DISHRACK REPAIR

Tip Tine Repair Kit
(Enough for Two
Complete Dishracks)

4396838 White
4396840 Grey
4396854 Silver Atlantis

Vinyl Touch-Up (4 oz.)

676453 White
676455 Grey
4396853 Silver Atlantis