

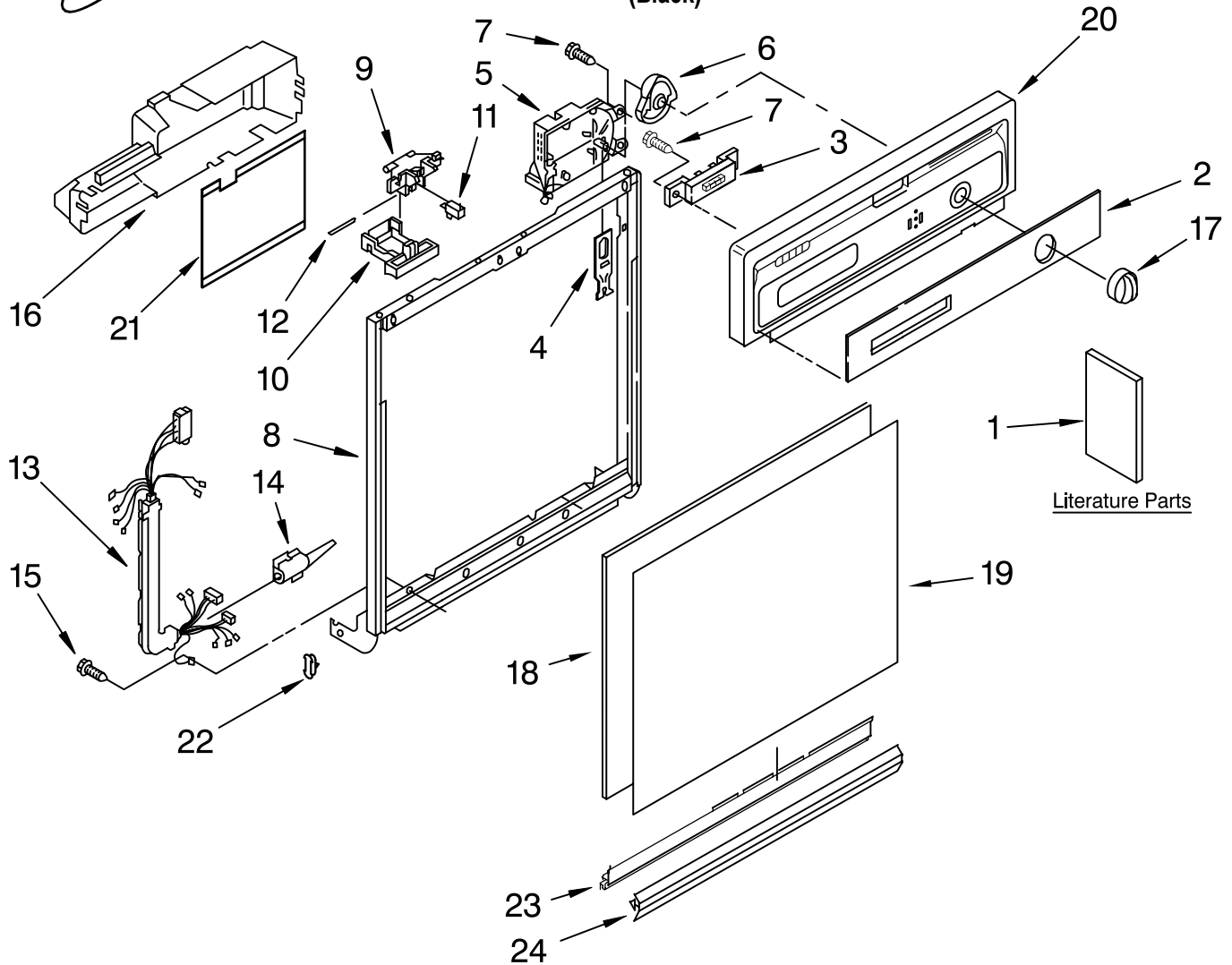


FRAME AND CONSOLE PARTS

For Models: DU850SWPU0

(Black)

UNDERCOUNTER
DISHWASHER



Literature Parts

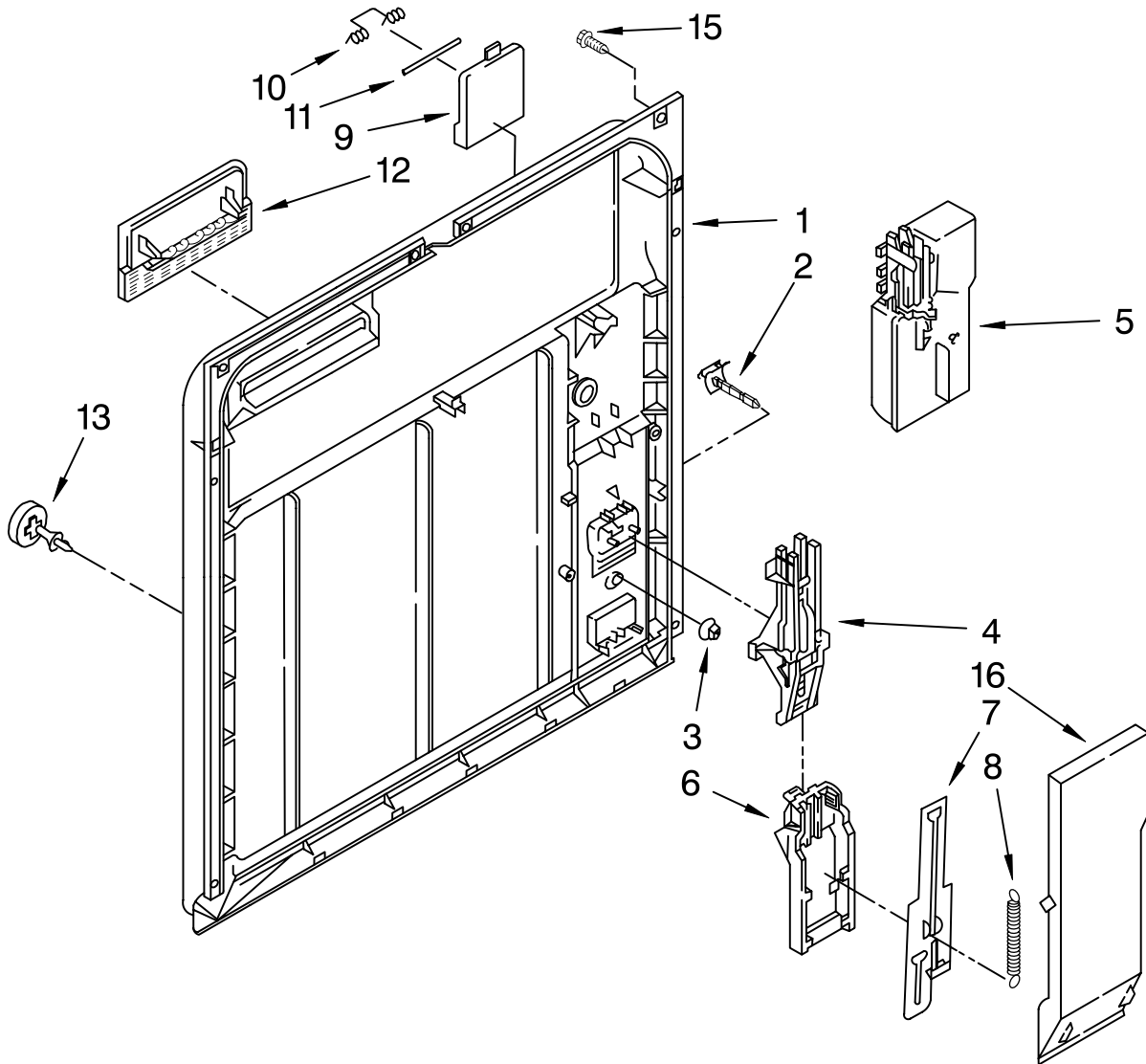
Illus. No.	Part No.	DESCRIPTION	Illus. No.	Part No.	DESCRIPTION	Illus. No.	Part No.	DESCRIPTION
1		Literature Parts	3	8269366	Switch, 5 Button	15	3400892	Screw,
	8535436	Instructions, Installation	4	3369529	Follower, Cam	16	8269526	Cover, Control
	3367007	Instructions, Installation (Supplement) (Locating Your Water Supply)	5	8535368	Timer	17		Knob, Timer
	8535639	Guide, Energy	6	8271510	Cam	18	8275308	Black
	8535037	Guide, Use & Care	7	304231	Screw, 8-18 x 1/2 (5)	19	3368979	Spacer, Corrugated Panel, Front
	3385497	Diagram, Wiring	8		Door Frame		3369516	Black/Almond
	677967	Do-It Yourself Manual	9	3380854	Bolt, Latch		8274853	White/Biscuit
2		Insert, Console	10		Lever, Latch	20		Console (Includes Item 2)
	8535383	Black		3369457	Black		8575347	Black
			11	3369325	Switch, (2)	21	3379671	Shield, Control Cover
			12	3368955	Pin, Switch (2)	22	3373234	Bearing, Spring (2)
			13	8275123	Harness and Protector	23	3374716	Retainer, Channel
			14	3376405	Elbow, Harness	24	3374010	Retainer, Panel

FOR ORDERING INFORMATION REFER TO PARTS PRICE LIST

INNER DOOR PARTS

For Models: DU850SWPU0

(Black)



Illus. No.	Part No.	DESCRIPTION
1	8528310	Inner Door (Includes Items 2 & 3)
2	3376066	Latch, Detergent Dispenser (Includes Item 3)
3	3369061	Snap, Detergent Dispenser (Includes Item 2)

Illus. No.	Part No.	DESCRIPTION
4	8519606	Actuator Assembly
5	8052027	Wet Agent, Dispenser
6	3369000	Draw Bar (Upper Dispenser)
7	8066017	Draw Bar (Lower Dispenser)
8	3368999	Spring (Draw Bar)

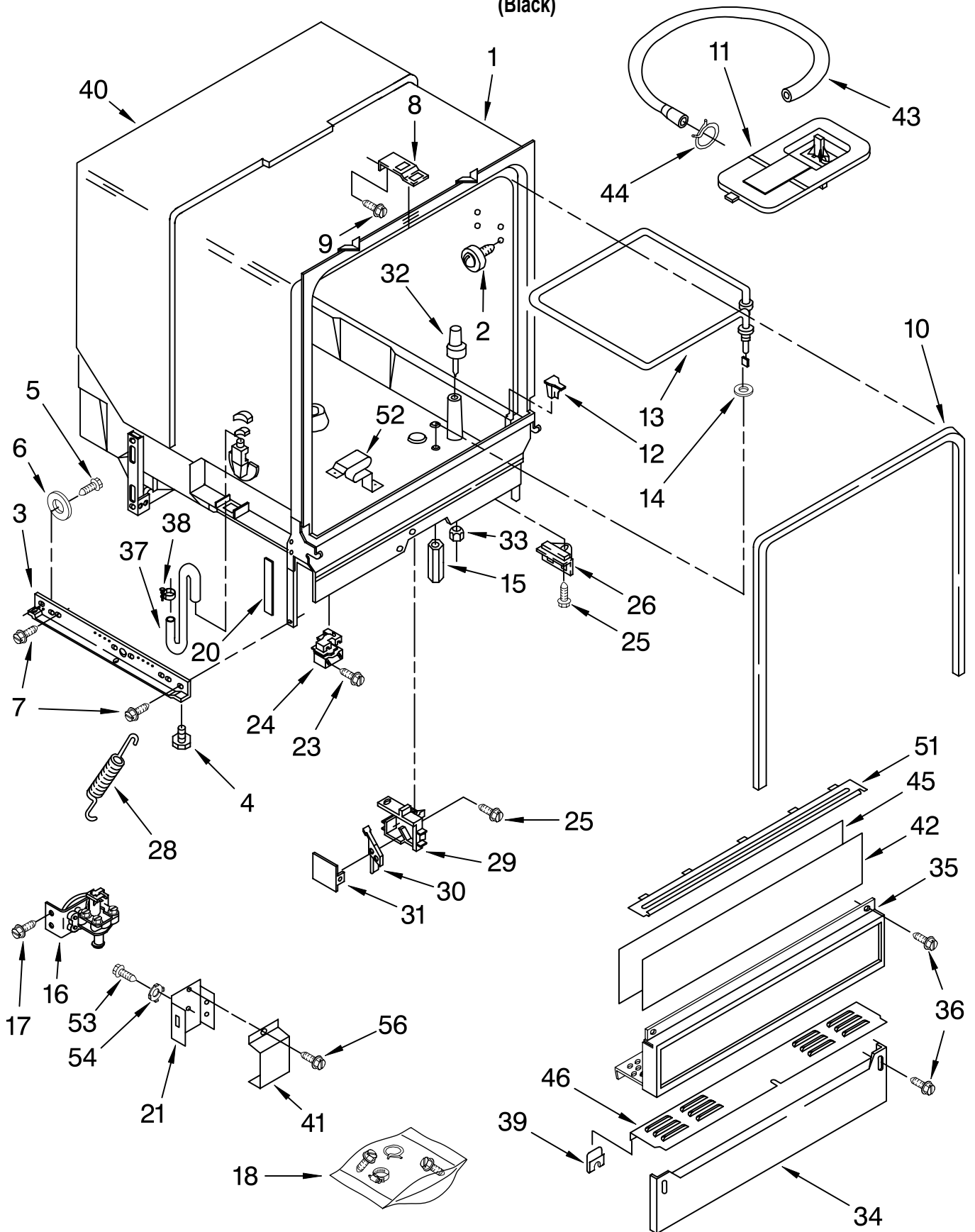
Illus. No.	Part No.	DESCRIPTION
9	3385001	Lid Assembly
10	8066018	Spring, Lid
11	3372028	Pin (Lid Hinge)
12	3371710	Screen, Vent
13	3378134	Cap, Wet Agent
15	3400815	Screw (8)
16	3371569	Cover, Drip

FOR ORDERING INFORMATION REFER TO PARTS PRICE LIST

TUB ASSEMBLY PARTS

For Models: DU850SWPU0

(Black)



FOR ORDERING INFORMATION REFER TO PARTS PRICE LIST

TUB ASSEMBLY PARTS

For Models: DU850SWPU0

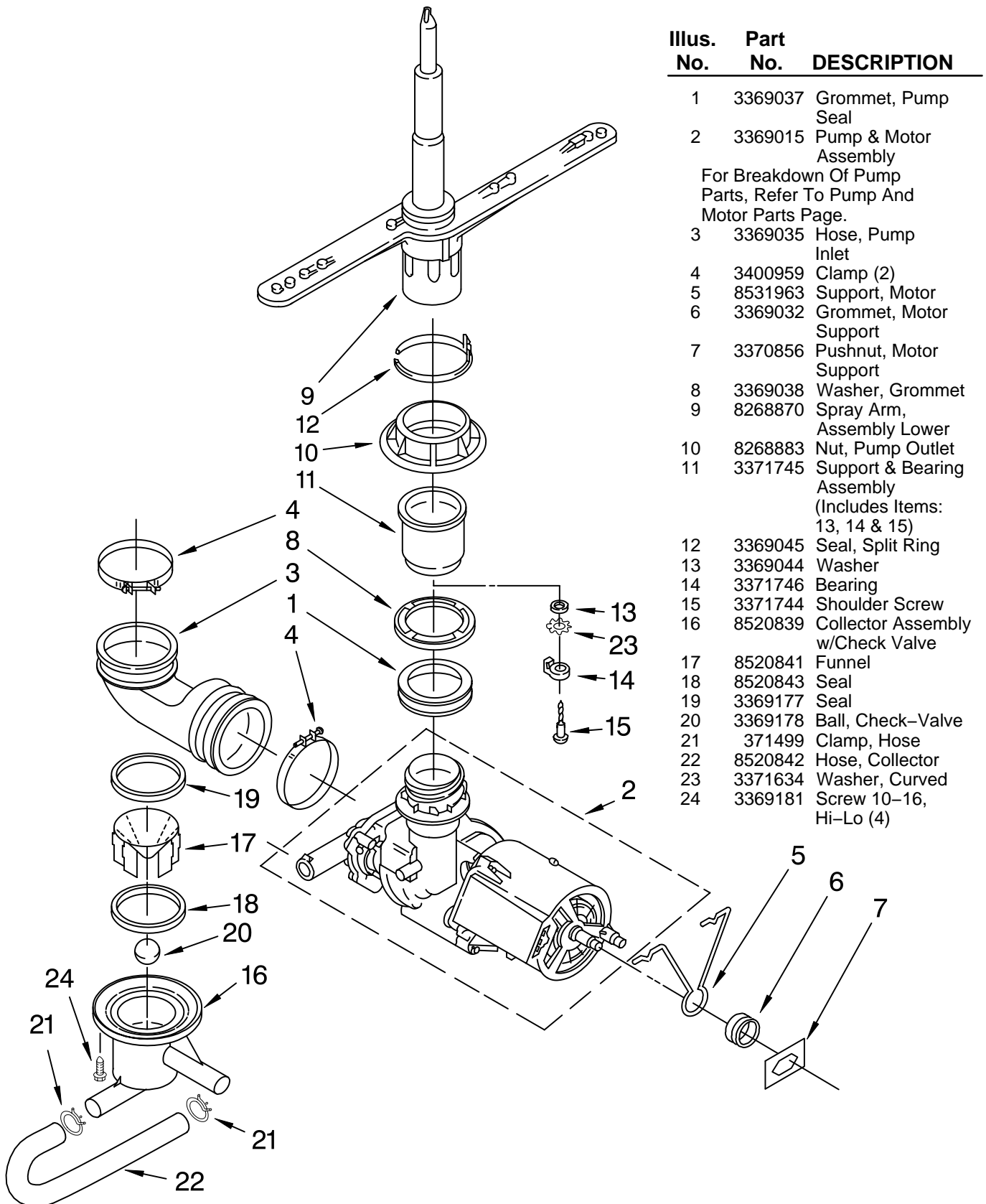
(Black)

Illus. No.	Part No.	DESCRIPTION	Illus. No.	Part No.	DESCRIPTION	Illus. No.	Part No.	DESCRIPTION
1	8533815	Tub and Support Assembly	16	8283345	Water Valve	35		Panel, Access (Includes Item 39)
2	8528831	Tub, Wheel Assembly (8)	17	304392	Screw, 8-18 x 1/2		3369193	Black
3	3368933	Runner (2)	18	3369816	Miscellaneous Parts Bag (Includes 2 Screws & 2 Hose Clamps)	36	302868	Screw, 8-18 x 1/2 (4)
4	3374849	Leveler (2)				37	3369414	Hose, Inlet
5	3370389	Screw, Shoulder (2)	20	8052018	Pad, Friction	38	301958	Clamp
6	302819	Wheel (2)	21	8529303	Terminal Box	39	3378123	Clip, Grounding
7	343641	Screw, 10-16 x 1/2 (4)	23	3370225	Screw	40	8531031	Sound Shield
8	3378149	Plate, Latch	24	3369063	Relay	41	300068	Cover Assembly, Terminal Box
9	3374720	Screw	25	304231	Screw	43	3374077	Drain Hose
10	3376927	Gasket	26	3368928	Fuse, Thermal	42		Panel, Front (Access Panel)
11	3369322	Grate	28	3373228	Spring, Door (2)		3369527	Black/Almond
12	8528862	Deflector (2)	29	8318218	Housing, Float Switch		3385409	White/Biscuit
13	8519827	Heater	30	3369067	Switch, Float	44	356138	Hose Clamp
14	717273	Washer, Rubber (2)	31	8318219	Cover, Switch Housing	45	3369526	Spacer, Corrugated
15	8268548	Nut (2) (Heater Terminal)	32	8519552	Float	46	3374728	Extension & Clip Assembly
			33	717488	Nut	51		Retainer, Access
			34		Panel, Toe		3372412	Black
				3368942	Black	52	3379740	Support, Heater (3)
						53	3400014	Screw
						54	3378128	Washer
						56	3369138	Screw, 8-18

FOR ORDERING INFORMATION REFER TO PARTS PRICE LIST

PUMP AND SPRAY ARM PARTS

For Models: DU850SWPU0
(Black)



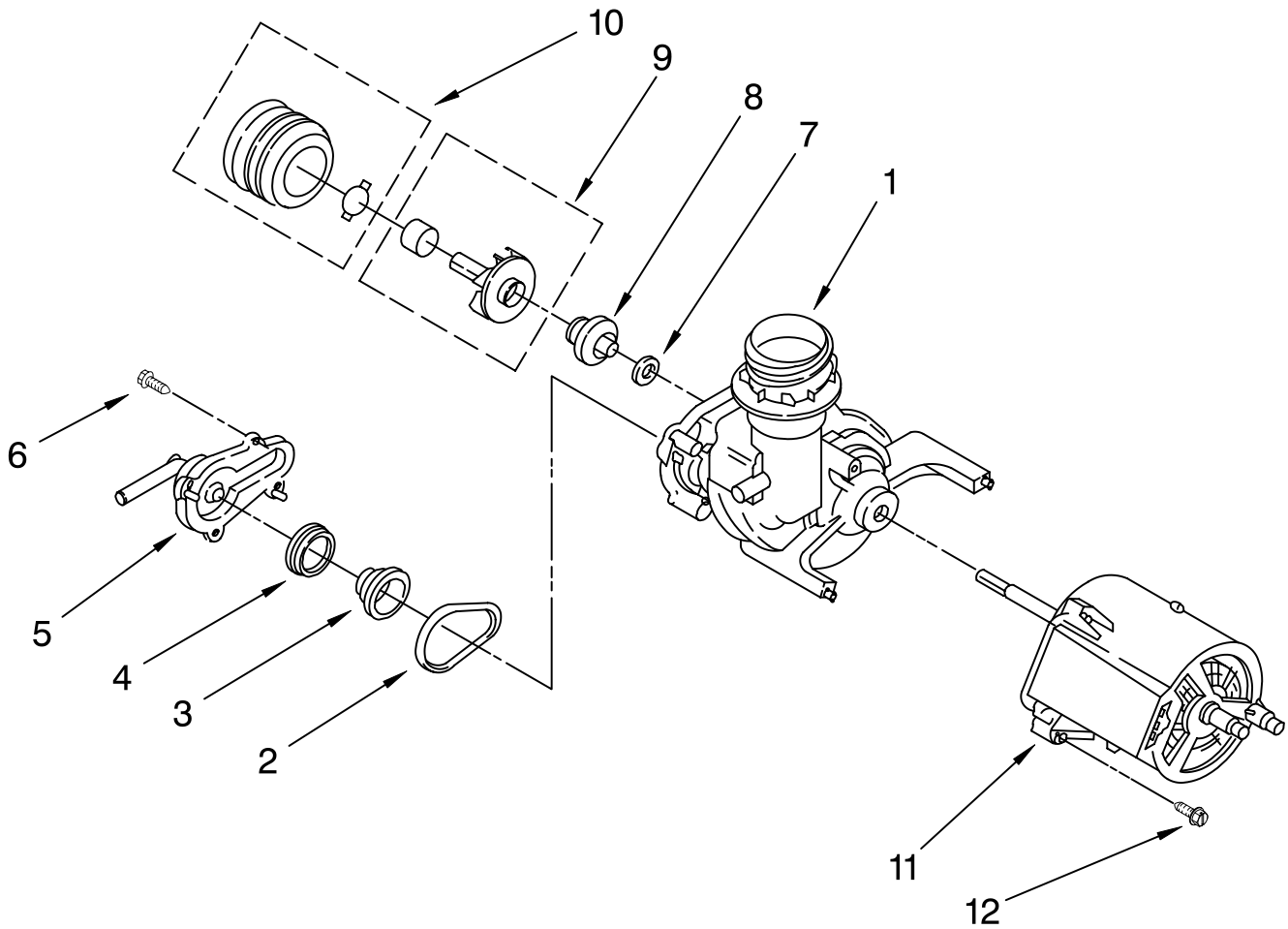
Illus. No.	Part No.	DESCRIPTION
1	3369037	Grommet, Pump Seal
2	3369015	Pump & Motor Assembly
For Breakdown Of Pump Parts, Refer To Pump And Motor Parts Page.		
3	3369035	Hose, Pump Inlet
4	3400959	Clamp (2)
5	8531963	Support, Motor
6	3369032	Grommet, Motor Support
7	3370856	Pushnut, Motor Support
8	3369038	Washer, Grommet
9	8268870	Spray Arm, Assembly Lower
10	8268883	Nut, Pump Outlet
11	3371745	Support & Bearing Assembly (Includes Items: 13, 14 & 15)
12	3369045	Seal, Split Ring
13	3369044	Washer
14	3371746	Bearing
15	3371744	Shoulder Screw
16	8520839	Collector Assembly w/Check Valve
17	8520841	Funnel
18	8520843	Seal
19	3369177	Seal
20	3369178	Ball, Check-Valve
21	371499	Clamp, Hose
22	8520842	Hose, Collector
23	3371634	Washer, Curved
24	3369181	Screw 10-16, Hi-Lo (4)

FOR ORDERING INFORMATION REFER TO PARTS PRICE LIST

PUMP AND MOTOR PARTS

For Models: DU850SWPU0

(Black)



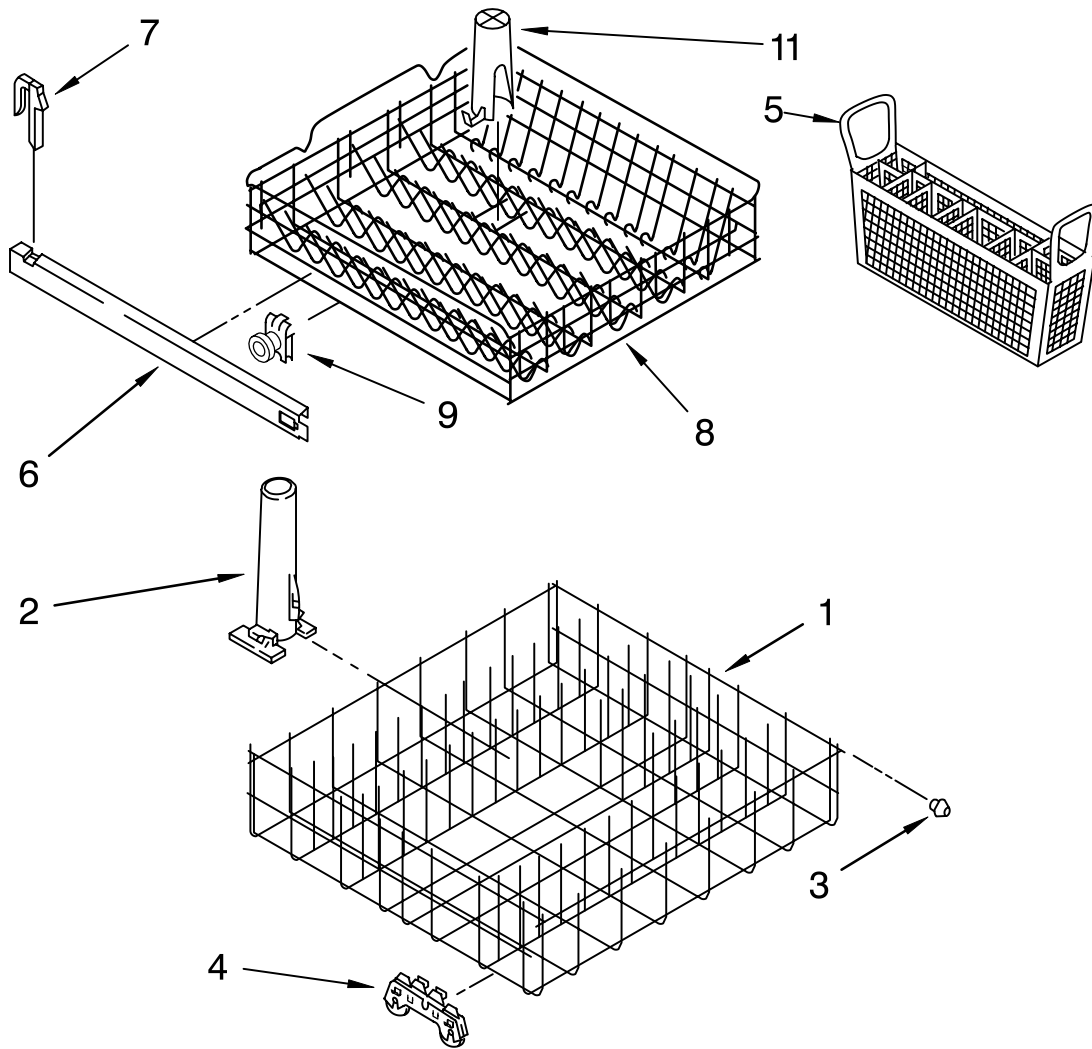
Illus. No.	Part No.	DESCRIPTION
1	3369011	Housing Assembly
2	3369031	Seal, Drain Cover
3	3369028	Diaphragm
4	3369029	Ring, Diaphragm
5	3369030	Cover, Drain Valve
6	3368921	Screw (4)
7	3369020	Seal Seat
8	3385557	Seal Head
9	3369013	Impeller & Bearing Assembly
10	3369012	Disk & Mount Assembly
11	8283457	Motor
12	3368922	Screw (3)

FOR ORDERING INFORMATION REFER TO PARTS PRICE LIST

DISHRACK PARTS

For Models: DU850SWPU0

(Black)



Illus. No.	Part No.	DESCRIPTION
1	8539225	Dishrack, Lower
2	8268825	Tower, Protector
3	3385142	Bumper, Dishrack (2)
4	8268645	Wheel & Transport Assembly (4)
5	8268866	Basket, Silverware
6	3385089	Track, Dishrack (2)
7	8524581	Stop, Track (4)
8	8539222	Dishrack, Upper
9	8268852	Wheel & Axle Assembly (4)
11	8519550	Diffuser, Water

FOR ORDERING INFORMATION REFER TO PARTS PRICE LIST

OPTIONAL PARTS

For Models: DU850SWPU0

(Black)

Illus. No.	Part No.	DESCRIPTION
-------------------	-----------------	--------------------

PAINT, TOUCH-UP (1/2oz.)

72017 White
72107 Almond
72032 Black
4392899 Biscuit

PAINT, PRESSURIZED SPRAY (12 oz.)

350956 Almond
285006 Superior Black
350942 Primer (White)
4392901 Biscuit

PAINT, TOUCH-UP (1 qt.)

978883 Almond (Uncut)
799340 Black (Uncut)
4392900 Biscuit

DISHRACK REPAIR

675576 Vinyl Touch-Up
(Blue)
676453 Vinyl Touch-Up
(White)
676455 Vinyl Touch-Up
(Grey)

ACCESSORY PARTS

Side Panel Kits:

4317925 White
4317929 Almond
4396188 Biscuit

Door Spring Kit:

4318050 Heavy Duty