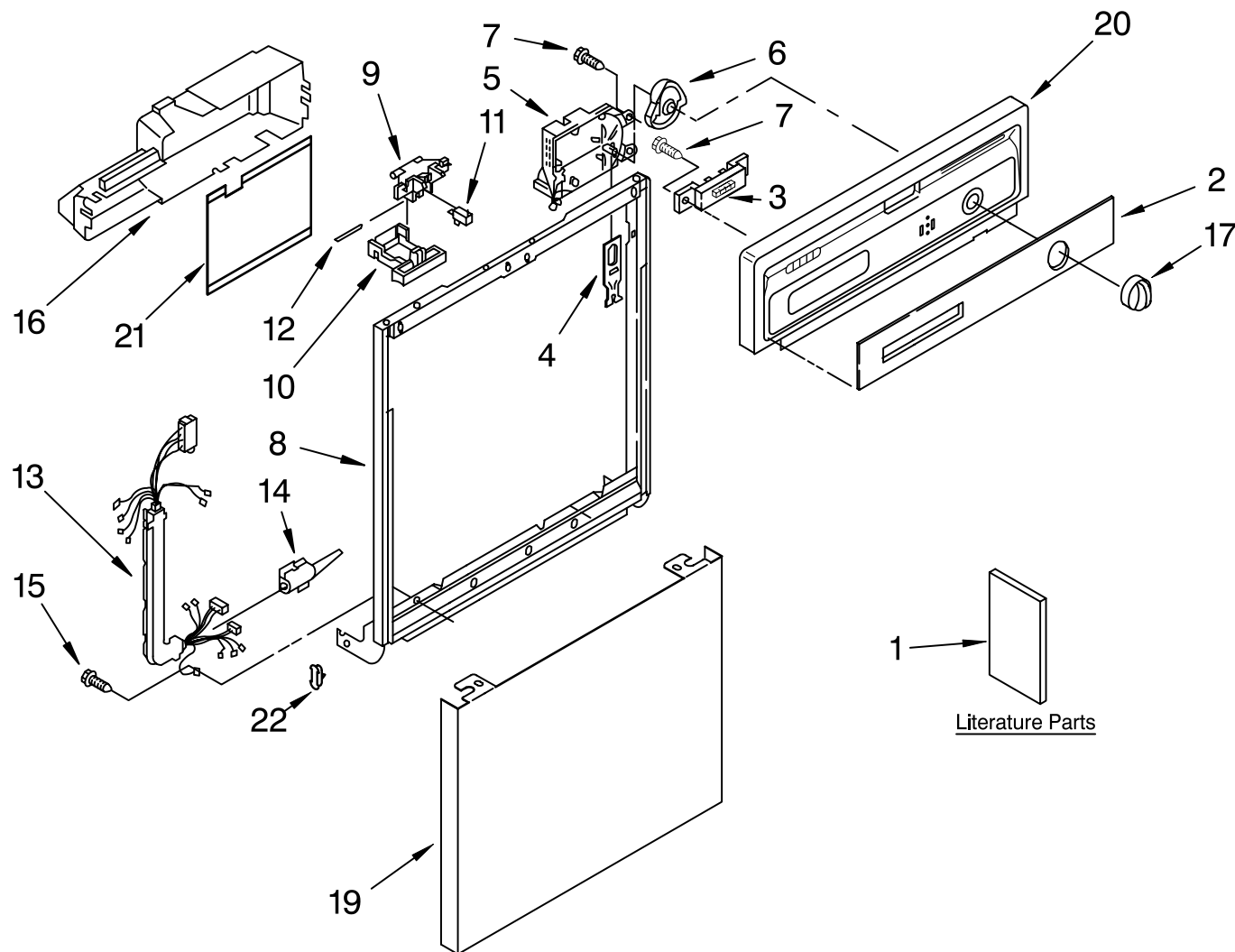




FRAME AND CONSOLE PARTS

For Models: DU850SWPB2, DU850SWPQ2, DU850SWPT2, DU850SWPS2
(Black) (White) (Biscuit) (Stainless)

UNDERCOUNTER
DISHWASHER



Illus. No.	Part No.	DESCRIPTION
1	8535436	Literature Parts
	3367007	Instructions, Installation (Supplement) (Locating Your Water Supply)
	8535639	Guide, Energy
	8575989	Guide, Use & Care
	3385497	Diagram, Wiring
	677967	Do-It Yourself Manual
2	8535383	Insert, Console Black
	8535384	White
	8575664	Biscuit
3	8269366	Switch, 5 Button

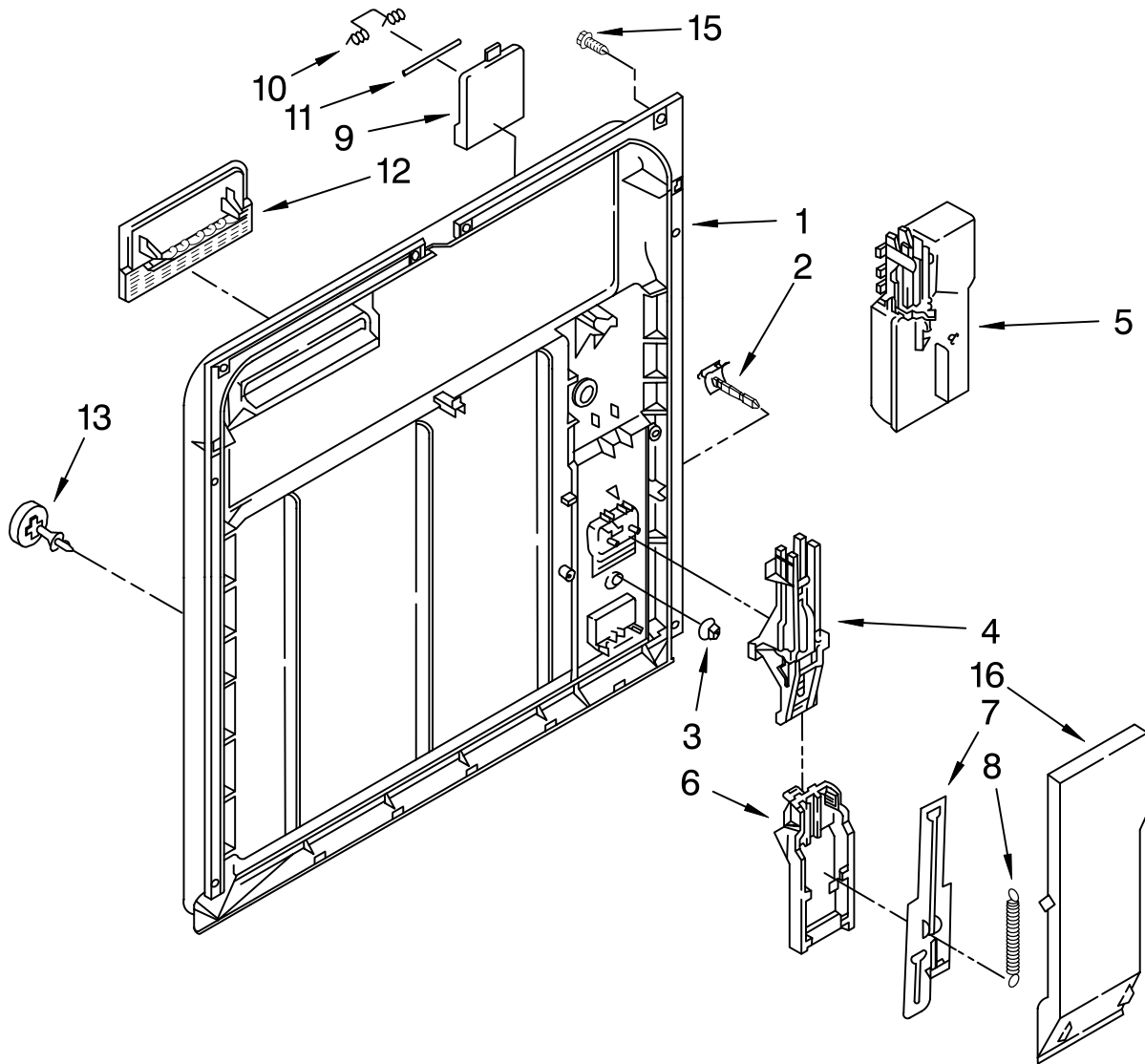
Illus. No.	Part No.	DESCRIPTION
4	3369529	Follower, Cam
5	8535368	Timer
6	8271510	Cam
7	304231	Screw, 8-18 x 1/2 (5)
8	9743028	Door Frame Black
9	3380854	Bolt, Latch
10	3369457	Lever, Latch Black
	3372231	White
	3375062	Biscuit
11	3369325	Switch, (2)
12	3368955	Pin, Switch (2)
13	8573183	Harness and Protector
14	3376405	Elbow, Harness
15	3400892	Screw,
16	8269526	Cover, Control

Illus. No.	Part No.	DESCRIPTION
17		Knob, Timer
	8275308	Black
	8275309	White
	8275310	Biscuit
19		Panel, Front
	3379375	Black
	3379376	White
	8054178	Biscuit
	9743581	Stainless
20		Console (Includes Item 2)
	8535328	Black
	8535329	White
	8575346	Biscuit
21	3379671	Shield, Control Cover
22	3373234	Bearing, Spring (2)

FOR ORDERING INFORMATION REFER TO PARTS PRICE LIST

INNER DOOR PARTS

For Models: DU850SWPB2, DU850SWPQ2, DU850SWPT2, DU850SWPS2
 (Black) (White) (Biscuit) (Stainless)

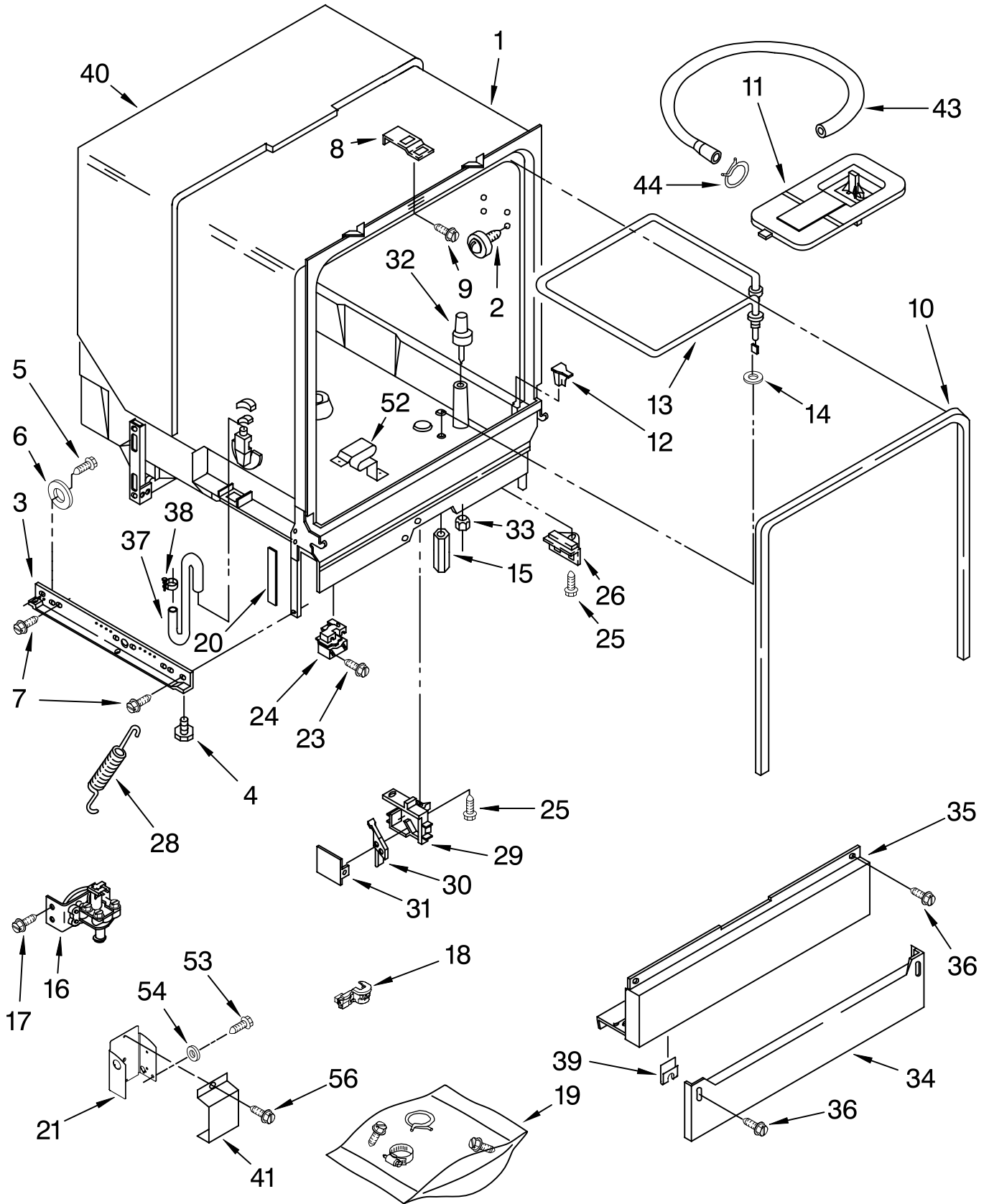


Illus. No.	Part No.	DESCRIPTION	Illus. No.	Part No.	DESCRIPTION	Illus. No.	Part No.	DESCRIPTION
1	8528310	Inner Door (Includes Items 2 & 3)	4	8519606	Actuator Assembly	9	3385001	Lid Assembly
2	3376066	Latch, Detergent Dispenser (Includes Item 3)	5	8052027	Wet Agent, Dispenser	10	8066018	Spring, Lid
3	3369061	Snap, Detergent Dispenser (Includes Item 2)	6	3369000	Draw Bar (Upper Dispenser)	11	3372028	Pin (Lid Hinge)
			7	8066017	Draw Bar (Lower Dispenser)	12	3371710	Screen, Vent
			8	3368999	Spring (Draw Bar)	13	3378134	Cap, Wet Agent
						15	3400815	Screw (8)
						16	3371569	Cover, Drip

FOR ORDERING INFORMATION REFER TO PARTS PRICE LIST

TUB ASSEMBLY PARTS

For Models: DU850SWPB2, DU850SWPQ2, DU850SWPT2, DU850SWPS2
(Black) (White) (Biscuit) (Stainless)



FOR ORDERING INFORMATION REFER TO PARTS PRICE LIST

TUB ASSEMBLY PARTS

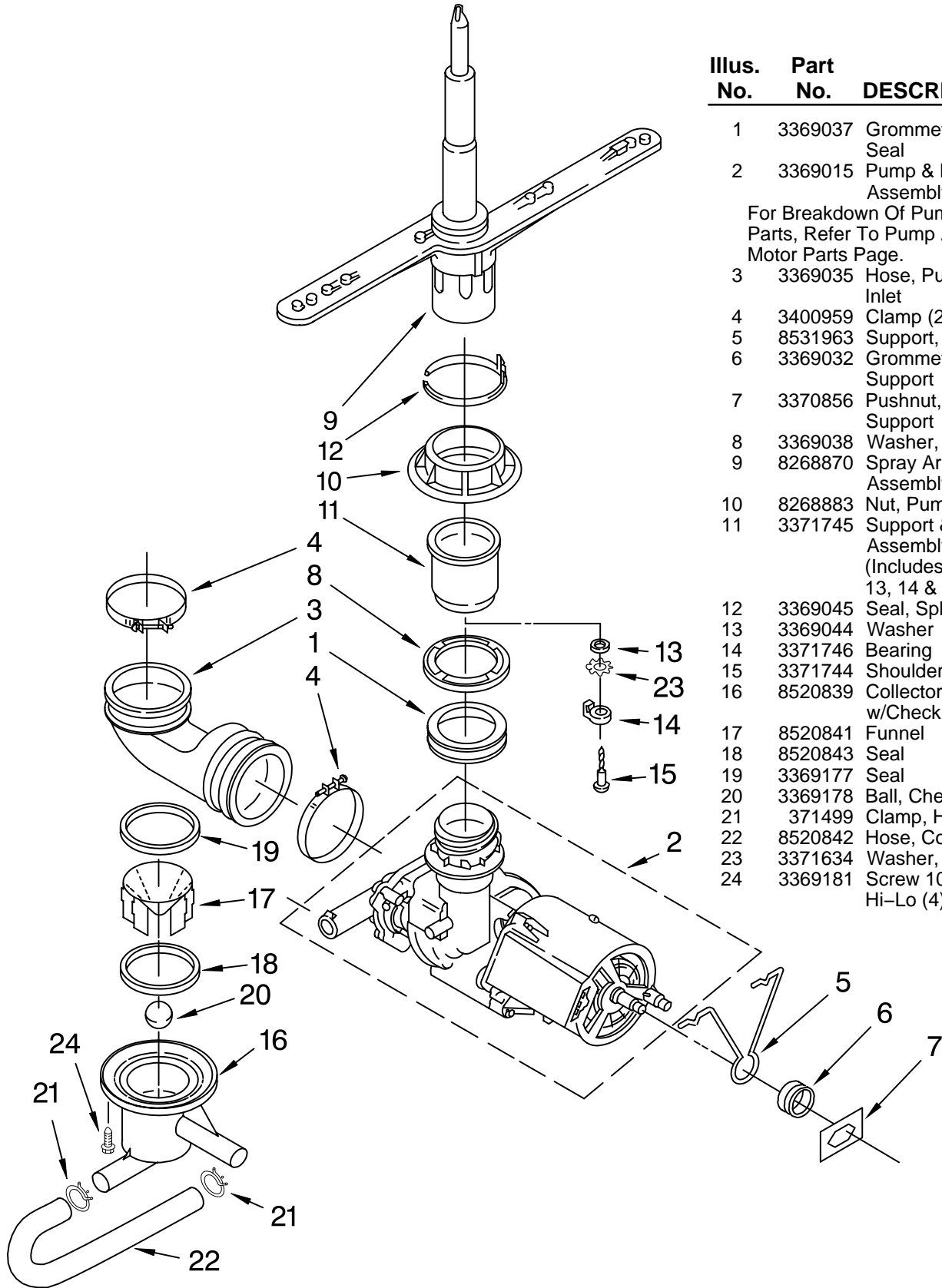
For Models: DU850SWPB2, DU850SWPQ2, DU850SWPT2, DU850SWPS2
 (Black) (White) (Biscuit) (Stainless)

Illus. No.	Part No.	DESCRIPTION	Illus. No.	Part No.	DESCRIPTION	Illus. No.	Part No.	DESCRIPTION
1	8533815	Tub and Support Assembly	18	8573061	Strain Relief	35		Panel, Access (Includes Item 39)
2	8528831	Tub, Wheel Assembly (8)	19	3369816	Miscellaneous Parts Bag (Includes 2 Screws & 2 Hose Clamps)		3379917	Black
3	3368933	Runner (2)					3379918	White
4	3374849	Leveler (2)					8054179	Biscuit
5	3370389	Screw, Shoulder (2)	20	8052018	Pad, Friction		9744517	Stainless
6	302819	Wheel (2)	21	8573951	Terminal Box	36	302868	Screw, 8-18 x 1/2 (4)
7	343641	Screw, 10-16 x 1/2 (4)	23	3370225	Screw			
8	3378149	Plate, Latch	24	3369063	Relay	37	3369414	Hose, Inlet
9	3374720	Screw	25	304231	Screw	38	301958	Clamp
10	3376927	Gasket	26	3368928	Fuse, Thermal	39	3378123	Clip, Grounding
11	3369322	Grate	28	3379383	Spring, Door (2)	40	8531031	Sound Shield
12	8528862	Deflector (2)	29	8318218	Housing, Float Switch	41	300068	Cover Assembly, Terminal Box
13	8519827	Heater						
14	717273	Washer, Rubber (2)	30	3369067	Switch, Float	43	3374077	Drain Hose
15	8268548	Nut (2) (Heater Terminal)	31	8318219	Cover, Switch Housing	44	356138	Hose Clamp
16	8283345	Water Valve	32	8519552	Float	52	3379740	Support, Heater (3)
17	304392	Screw, 8-18 x 1/2	33	717488	Nut	53	3400014	Screw
			34		Panel, Toe	54	3378128	Washer
				3368942	Black	56	3369138	Screw, 8-18
				9742861	White			
				8054181	Biscuit			

FOR ORDERING INFORMATION REFER TO PARTS PRICE LIST

PUMP AND SPRAY ARM PARTS

For Models: DU850SWPB2, DU850SWPQ2, DU850SWPT2, DU850SWPS2
 (Black) (White) (Biscuit) (Stainless)

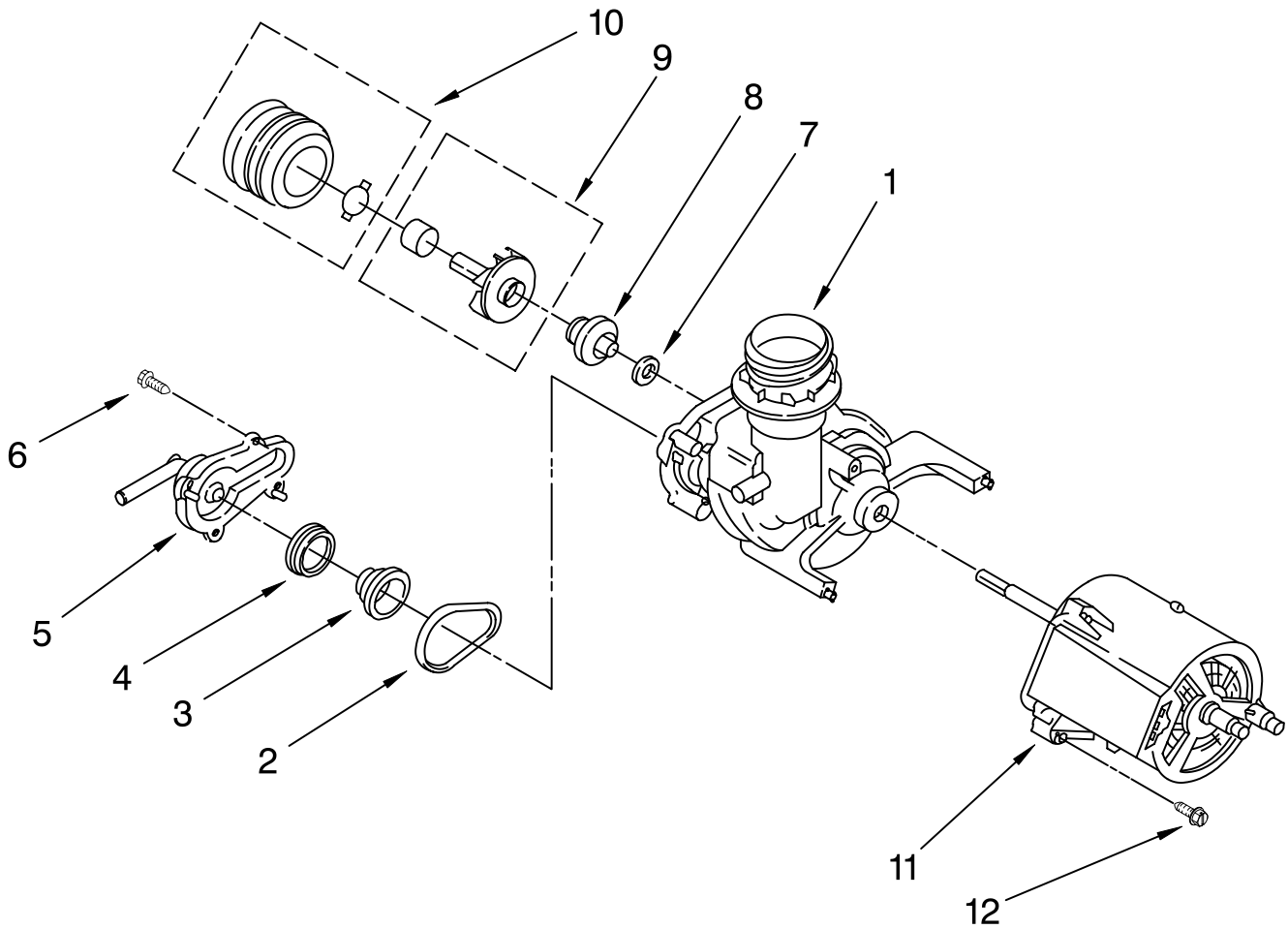


Illus. No.	Part No.	DESCRIPTION
1	3369037	Grommet, Pump Seal
2	3369015	Pump & Motor Assembly
For Breakdown Of Pump Parts, Refer To Pump And Motor Parts Page.		
3	3369035	Hose, Pump Inlet
4	3400959	Clamp (2)
5	8531963	Support, Motor
6	3369032	Grommet, Motor Support
7	3370856	Pushnut, Motor Support
8	3369038	Washer, Grommet
9	8268870	Spray Arm, Assembly Lower
10	8268883	Nut, Pump Outlet
11	3371745	Support & Bearing Assembly (Includes Items: 13, 14 & 15)
12	3369045	Seal, Split Ring
13	3369044	Washer
14	3371746	Bearing
15	3371744	Shoulder Screw
16	8520839	Collector Assembly w/Check Valve
17	8520841	Funnel
18	8520843	Seal
19	3369177	Seal
20	3369178	Ball, Check-Valve
21	371499	Clamp, Hose
22	8520842	Hose, Collector
23	3371634	Washer, Curved
24	3369181	Screw 10-16, Hi-Lo (4)

FOR ORDERING INFORMATION REFER TO PARTS PRICE LIST

PUMP AND MOTOR PARTS

For Models: DU850SWPB2, DU850SWPQ2, DU850SWPT2, DU850SWPS2
 (Black) (White) (Biscuit) (Stainless)

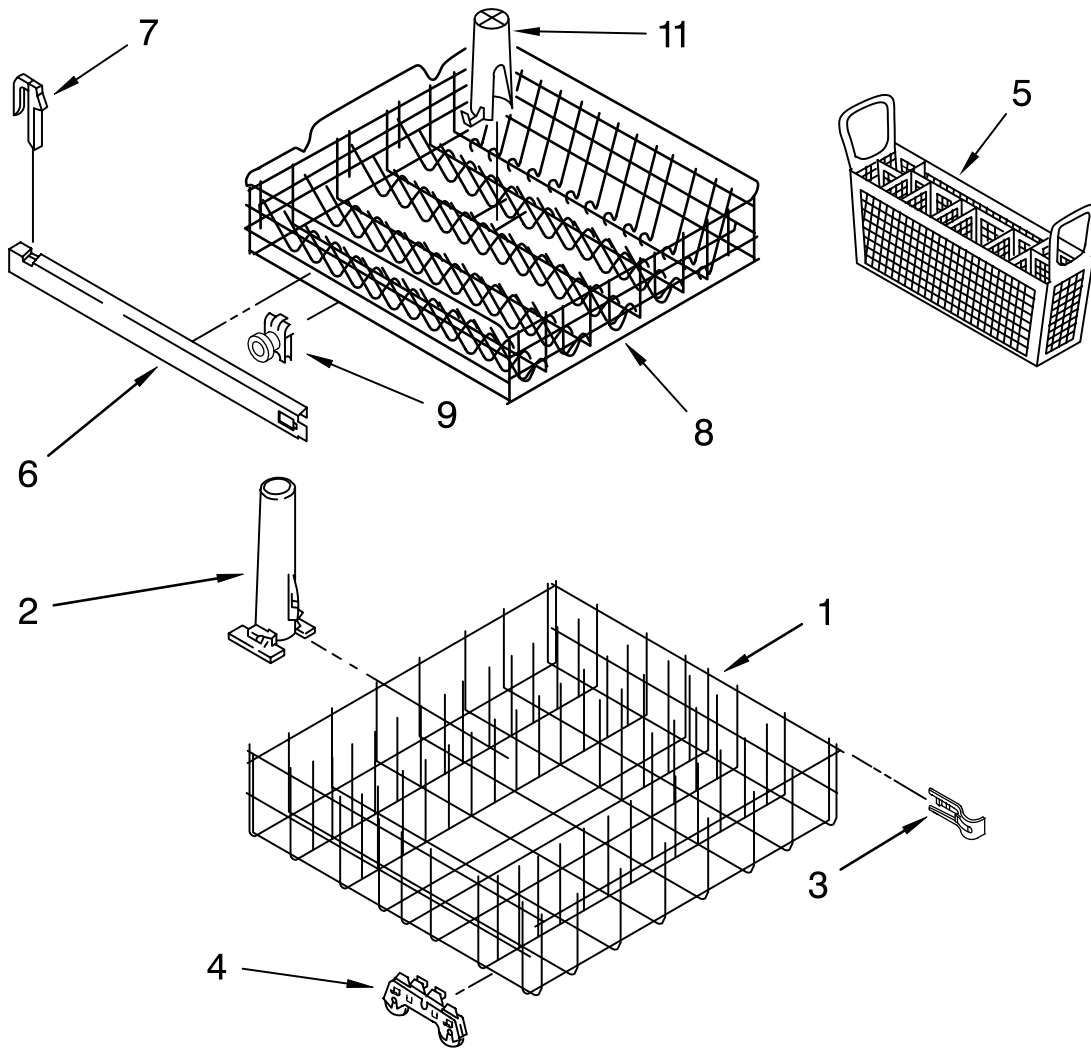


Illus. No.	Part No.	DESCRIPTION
1	3369011	Housing Assembly
2	3369031	Seal, Drain Cover
3	3369028	Diaphragm
4	3369029	Ring, Diaphragm
5	3369030	Cover, Drain Valve
6	3368921	Screw (4)
7	3369020	Seal Seat
8	3385557	Seal Head
9	3369013	Impeller & Bearing Assembly
10	3369012	Disk & Mount Assembly
11	8283457	Motor
12	3368922	Screw (3)

FOR ORDERING INFORMATION REFER TO PARTS PRICE LIST

DISHRACK PARTS

For Models: DU850SWPB2, DU850SWPQ2, DU850SWPT2, DU850SWPS2
 (Black) (White) (Biscuit) (Stainless)



Illus. No.	Part No.	DESCRIPTION
1	8539225	Dishrack, Lower
2	8268825	Tower, Protector
3	3385142	Bumper, Dishrack (2)
4	8268645	Wheel & Transport Assembly (4)
5	8268866	Basket, Silverware
6	3385089	Track, Dishrack (2)
7	8524581	Stop, Track (4)
8	8539222	Dishrack, Upper
9	8268852	Wheel & Axle Assembly (4)
11	8519550	Diffuser, Water

FOR ORDERING INFORMATION REFER TO PARTS PRICE LIST

OPTIONAL PARTS (NOT INCLUDED)

For Models: DU850SWPB2, DU850SWPQ2, DU850SWPT2, DU850SWPS2
 (Black) (White) (Biscuit) (Stainless)

Illus. No.	Part No.	DESCRIPTION	Illus. No.	Part No.	DESCRIPTION	Illus. No.	Part No.	DESCRIPTION
<u>ACCESSORIES</u>			<u>PAINT, TOUCH-UP (1/2oz.)</u>			<u>POWER CORD KIT</u>		
		Side Panel Kits						
		4378867 White			72017 White			4317824 Power Cord Kit
		4378868 Black			72032 Black			(Includes Power
		675788 Biscuit			4392899 Biscuit			Cord & Misc.
		4378869 Almond						Hardware)
		Custom Trim & Panel Kits	<u>PAINT, PRESSURIZED SPRAY</u>			<u>ANTI-TIP KIT</u>		
		675775 Black	<u>(12 oz.)</u>					
		675776 White						
		675809 Biscuit			350930 White			4378968 Floor Mounting Kit
		Moisture Barrier Kit			285006 Superior Black			
		4396277 Kit			4392901 Biscuit			
		Drain Hose	<u>PAINT, TOUCH-UP (1 qt.)</u>			<u>DISHRACK REPAIR</u>		
		3385556 12 Ft.						Tip Tine Repair Kit
		Heavy Duty Spring Kit			799344 White (Uncut)			(Enough for Two
		4318050 Spring			4392900 Biscuit			Complete Dishracks)
								4396838 White
								4396840 Grey
								4396854 Silver Atlantis
								Vinyl Touch-Up (4 oz.)
								676453 White
								676455 Grey
								4396853 Silver Atlantis

FOR ORDERING INFORMATION REFER TO PARTS PRICE LIST