



Undercounter Dishwasher

PRODUCT MODEL NUMBERS

DU400SWK	DU915PWS
DU810SWP	DU930PWP
DU811SWP	DU930PWS
DU840SWP	DU945PWP
DU850SWP	DU945PWS
DU851SWP	DU948PWP
DU895SWP	DUL140PP
DU915PWP	

Electrical: 120 volt, 60 Hz, AC only, 15 or 20 amp. electrical supply. Use copper wire only. A time-delay fuse or circuit breaker and separate circuit is recommended.

Water: A hot water line with 20-120 psi (138-862 kPa) water pressure. Water temperature must be 120°F (49°C) at dishwasher. Use 3/8" O.D. copper tubing with compression fitting (1/2" minimum plastic tubing is optional but not recommended). Use a 90° elbow with 3/8" N.P.T. external pipe threads on one end to connect to water inlet valve. Do not solder within 6" (15.2 cm) from water inlet valve.

Drain: Use the new drain hose supplied with your dishwasher. If this is not suitable, use a new drain hose with a maximum length of 12 feet (3.7 m) that meets all current AHAM/IAPMO test standards, is resistant to heat and detergent, and fits the drain connector of the dishwasher. Must have a high drain loop 20" (50.8 cm) above the subfloor or floor. Connect drain hose to waste tee or disposer inlet above drain trap in house plumbing and 20" (50.8 cm) minimum above the floor. An air gap must be used if the drain hose is connected to house plumbing lower than 20" (50.8 cm) above subfloor or floor. Use 1/2" minimum I.D. drain line fittings.

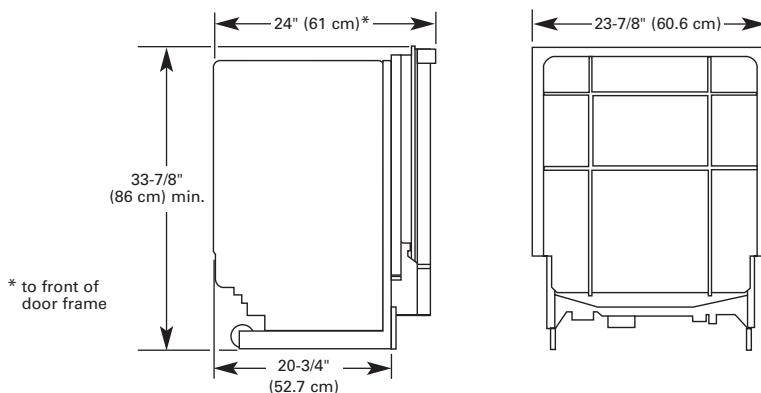
Corner location: Requires a 2" (5.1 cm) minimum clearance between the side of the dishwasher door and wall or cabinet.

A side panel kit is available from your dealer for installing your dishwasher at end of cabinet.

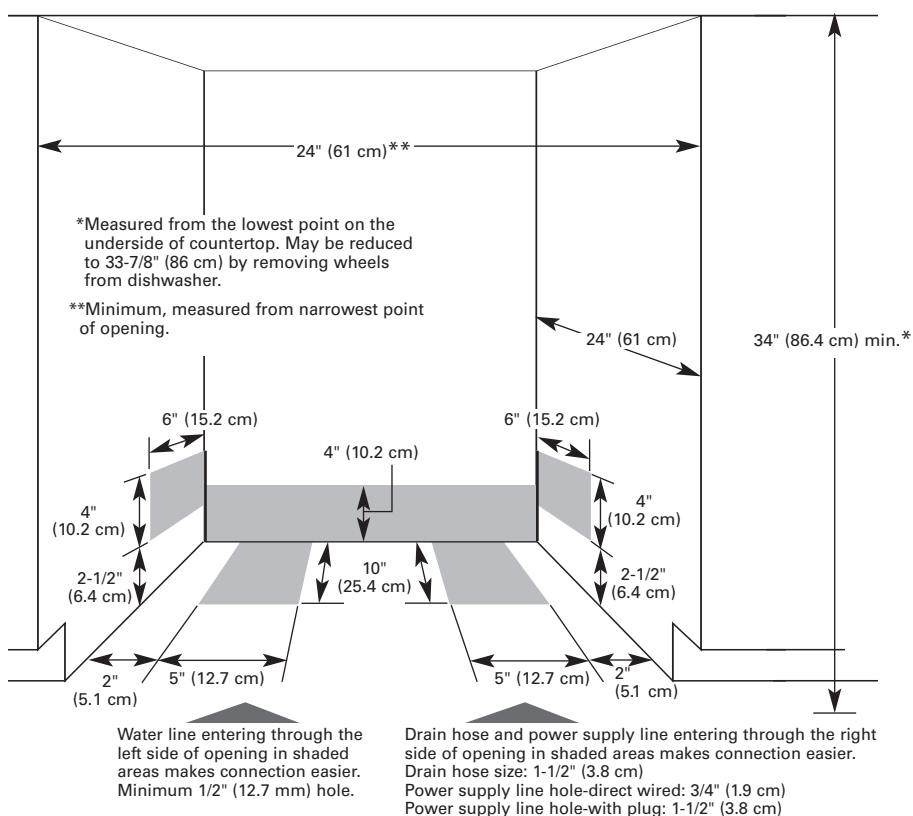
Grommet is required for electrical cable or power supply cord hole cut in a metal cabinet.

Do not install dishwasher over carpeted floor.

OVERALL DIMENSIONS

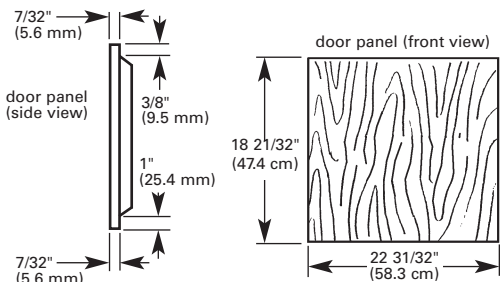


CABINET OPENING DIMENSIONS



CUSTOM FRONT PANEL DIMENSIONS (Framed)

These panels fit only models with frames around the door and access panels.



NOTE: Access panel is wider than door panel.

