

**PARTS
LIST
FOR**

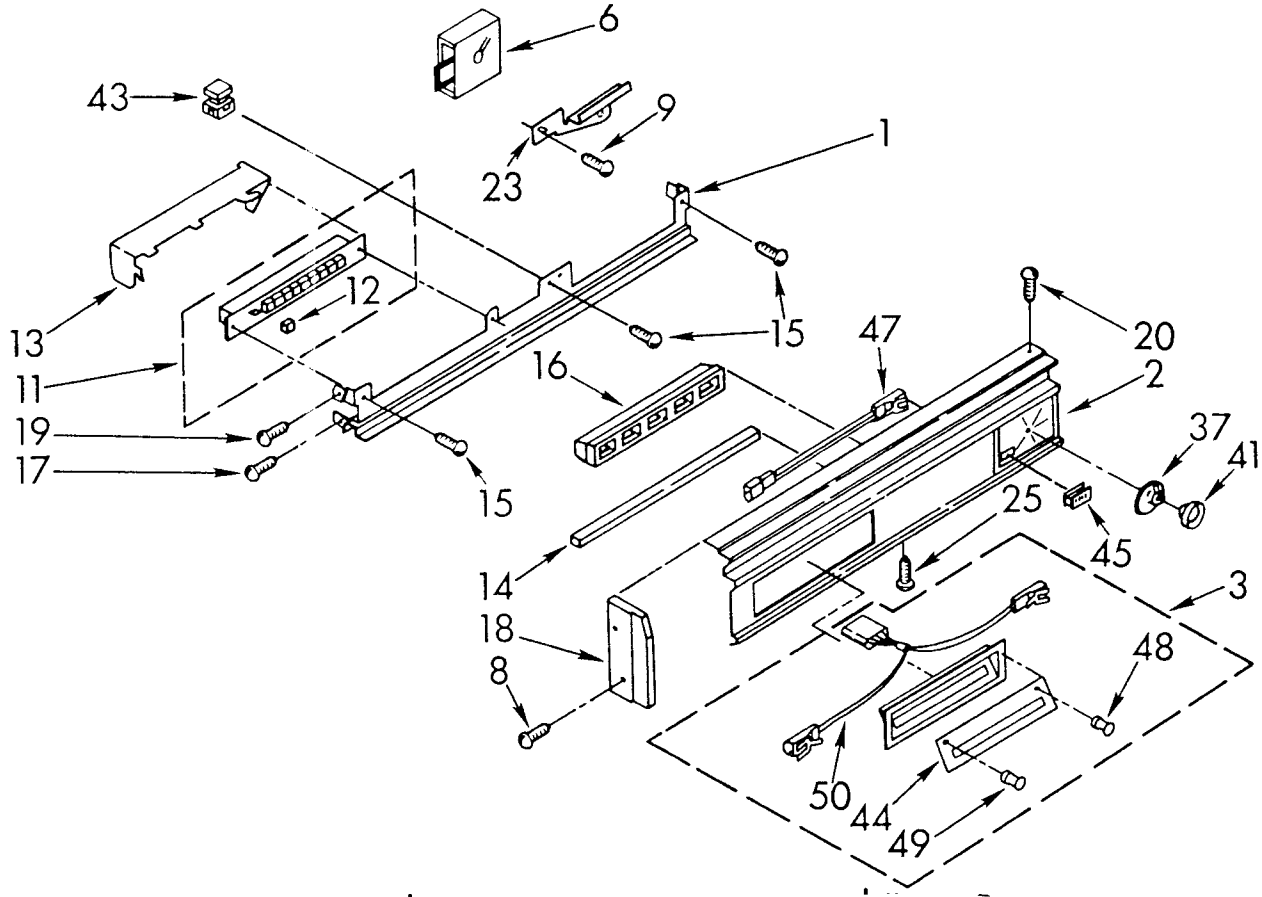


**MODEL
DU7503XL-0**

White, Almond,
Black, Golden Harvest,
Toast, Platinum

UNDERCOUNTER DISHWASHER

CONSOLE PARTS



3-85 Litho in U.S.A.

Whirlpool CORPORATION
Benton Harbor, Michigan.
FOR SERVICE INFORMATION
SEE SERVICE (BROWN) FILMCARD(S)
85-A-2

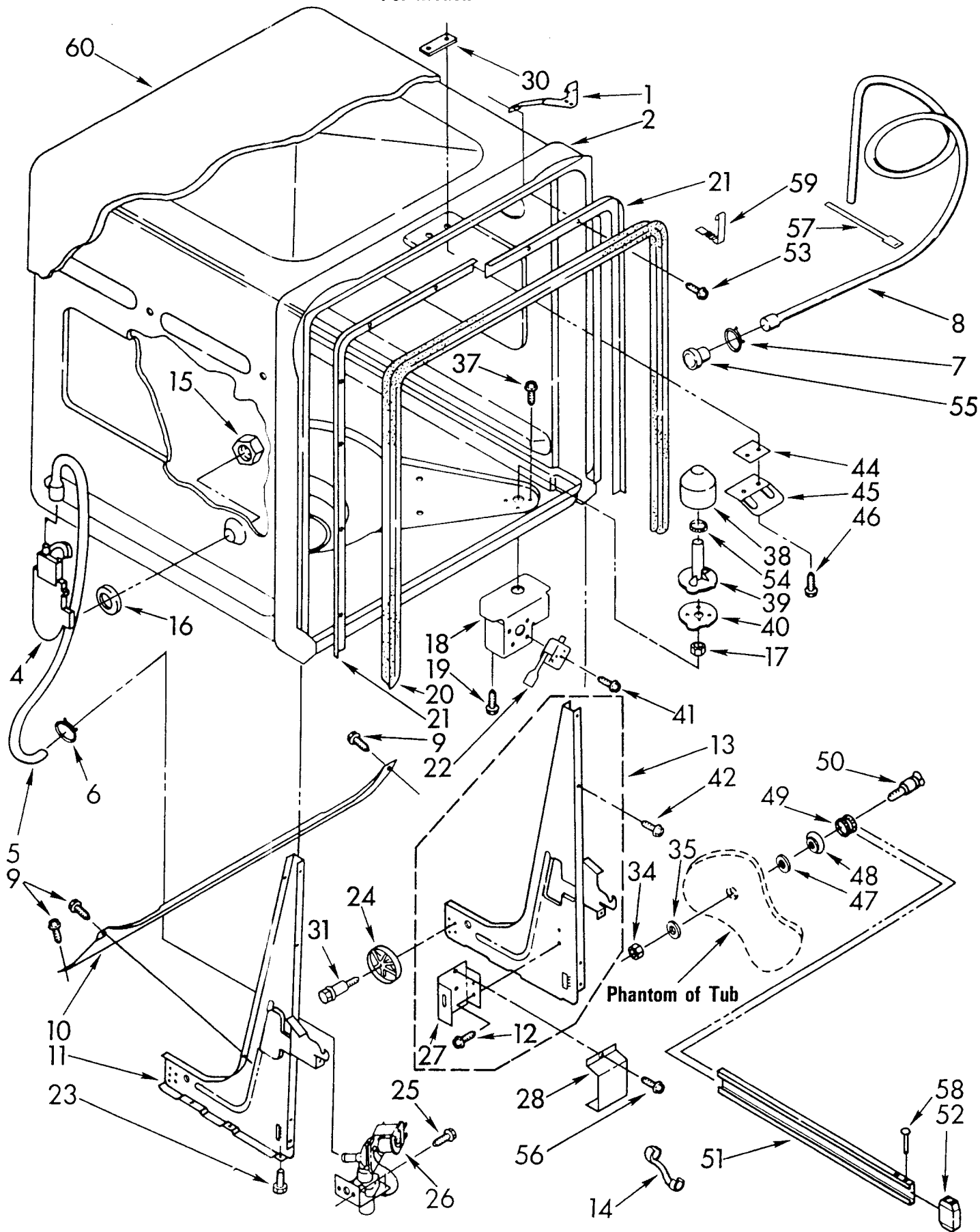


Part No. 303422 Rev. A

1	300750	Bracket, Console
2	303435	Panel, Escutcheon
3	303465	Bezel Assembly, Pushbutton
6	303426	Timer, Disconnect
8	162402	Screw, 8-15 x 3/4 (4)
9	96435	Screw (2)
11	303429	Switch, Pushbutton
12	301978	Button (9)
13	303129	Barrier, Pushbutton
14	719860	Baffle
15	98209	Screw (6)
16	301878	Grille, Vent
17	688983	Screw, 8-18 x 5/8 (2)
18	303005	Cap, End R.H.
	303006	Cap, End L.H.
19	300128	Screw, 8-18 x 1/2 (2)
20	688983	Screw, 8-18 x 5/8 (2)
23	303136	Bracket, Timer Mounting
25	301502	Screw, 6-20 x 1/2
37	302067	Dial, Indicator
41	302180	Knob, Timer
43		Relay
	300516	Alternate
	301620	Alternate
	301536	Alternate
44	303428	Escutcheon, Pushbutton Switch
45	302227	Lens, Amber
47	302184	Indicator Light & Connector
48	302840	Lens, Red
49	302841	Lens, Green
50	303132	Light & Connector Assembly

TUB PARTS

For Model: DU7503XL-0



FOR ORDERING INFORMATION REFER TO PARTS PRICE LIST

1	300796	Bracket, Mounting (2)
2	303110	Tub Assembly
4	300974	Inlet, Water
5	301054	Hose, Inlet
6	301958	Clamp
7	356138	Clamp
8	719954	Hose, Drain
9	302868	Screw, 8A x 3/8 Hex Head Tapping (4)
10	303111	Brace
11	302822	Leg & Hinge Assembly, L.H.
12	718178	Screw, 8-32 x 3/8 Hex Washer Head Slotted Tapping Ground (1)
13	302823	Leg & Hinge Assembly, R.H.
14	717563	Relief, Strain
15	713799	Nut, 7/8-16 Polypropylene (1)
16	713878	Gasket
17	717488	Nut, 1/8 Self-Threading (1)
18	719342	Bracket, Overflow
19	718250	Screw, 8 x 1/2 Hi-Lo Blunt Point (3)
20		Gasket
	302090	Alternate
	302091	Alternate
21	302093	Retainer, R.S.
	302094	Retainer, L.S.
22	301671	Switch, Pressure
	301672	Switch, Pressure (Alternate)
23	302849	Leveling Leg
24	302819	Wheel, Leg
25	90767	Screw, 8A x 3/8 Hex Head Tapping (2)
26	300453	Valve, Water Inlet
27	300067	Box, Terminal
28	300068	Cover, Terminal Box
30	303080	Nut, Twin Spring
31	302818	Screw, Shoulder
34	718829	Locknut, 10-32 (8)
35	717624	Washer (8)
37	717236	Screw, 8-18 x 1/2 Pan Head, Tapping (1)
38	718035	Float
39	719967	Standpipe, Overflow
40	719966	Gasket, Overflow
41	98086	Screw, 4-40 x 3/4 Hex Head Slotted Thread Cutting (1)
42	90767	Screw, 8A x 3/8 Hex-Head Tapping Ground (2)
44	712302	Shim
45	300233	Strike
46	9416643	Screw, 10-12 x 1/2 (2)
47	718750	Washer (8)
48	718817	Washer, Cup (8)
49	300844	Wheel Assembly (8)
50	712499	Screw, Shoulder (8)
51	303297	Track (2)
52	303299	End Cap, Track (4)
53	719266	Screw, 8-18 x 5/8 Indented Hex-Head (10)
54	301662	Gasket (2)
55	301656	Insert, Cup-Hose
56	90767	Screw, 8A x 3/8 Hex-Head Tapping (1)
57	596490	Clip, Strap
58	303298	Pin, Track (4)
59	301663	Clip, Gasket

60 302804 Shield, Sound

LITERATURE PARTS

LIT303311 Instructions, Installation
LIT303548 Tag, Energy Fact
LIT303814 Guide, Use & Care
LIT303422 List, Parts

OPTIONAL PARTS NOT INCLUDED

PAINT, TOUCH UP (1/2 oz.)

72017 White
72107 Almond
72110 Golden Harvest
72112 Toast
72113 Platinum

PAINT, PRESSURIZED SPRAY (13 OZ.)

350930 White
350956 Almond
261890 Golden Harvest
285006 Superior Black
285365 Toast
285366 Platinum
206922 Primer (White)
350941 Leveler (Thinner)

PAINT, BULK (1 QT.)

799344 White (Uncut)
799340 Black (Uncut)
261891 Golden Harvest (Uncut)
285367 Toast (Uncut)
285368 Platinum (Uncut)

TUB LINER REPAIR

799640 Kit, Epoxy Patch (White)

DISHRACK REPAIR

675476 vinyl touch-up (Blue)
675506 Tine Tip Repair Kit (Blue--Enough For Two Complete Dishracks)

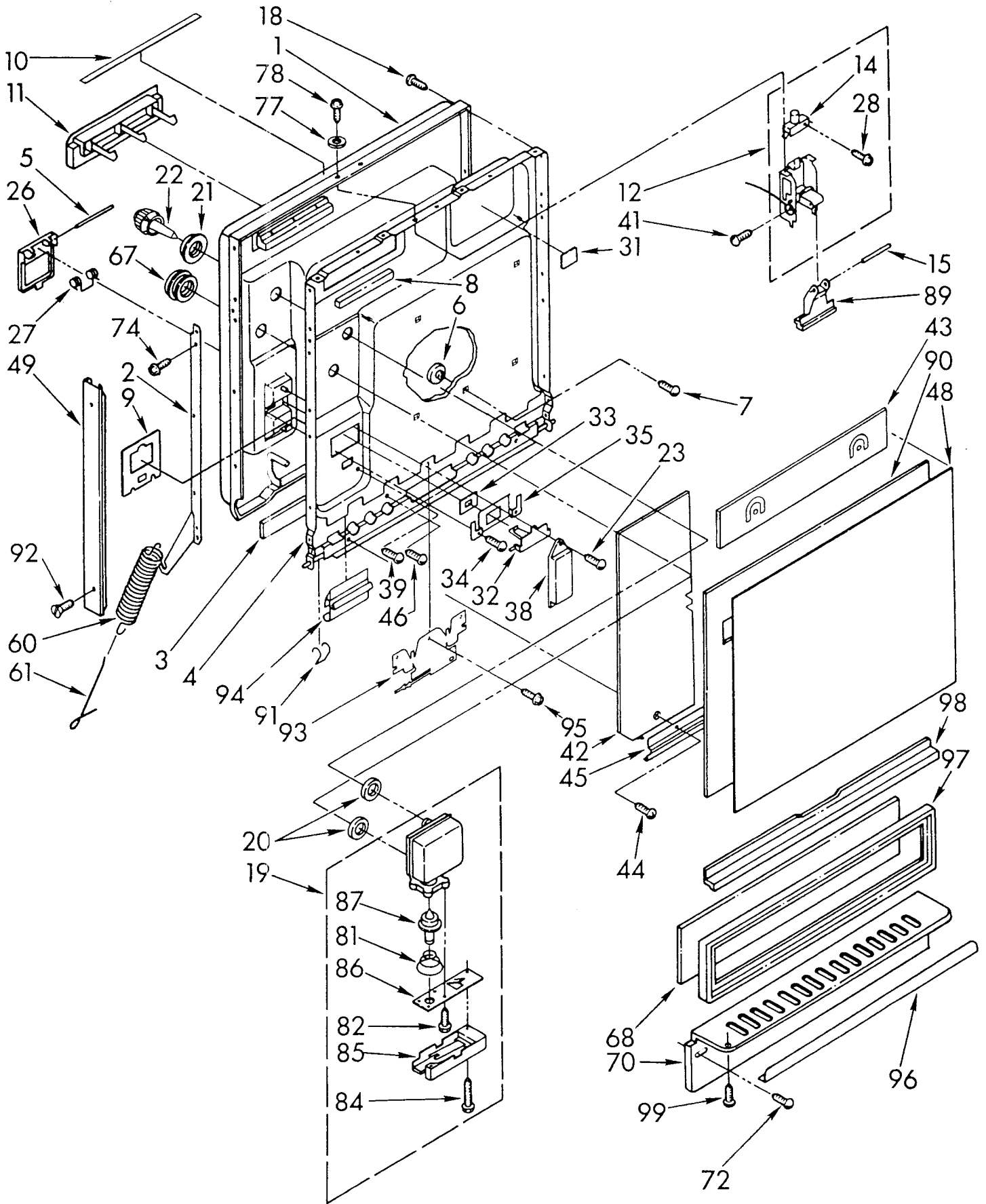
DO-IT-YOURSELF REPAIR MANUALS

LITERATURE PARTS

LIT677813 Automatic Washer (Belt Drive)
LIT677818 Dryer
LIT677821 Compactor
LIT677967 Dishwasher

DOOR PARTS

For Model: DU7503XL-0



FOR ORDERING INFORMATION REFER TO PARTS PRICE LIST

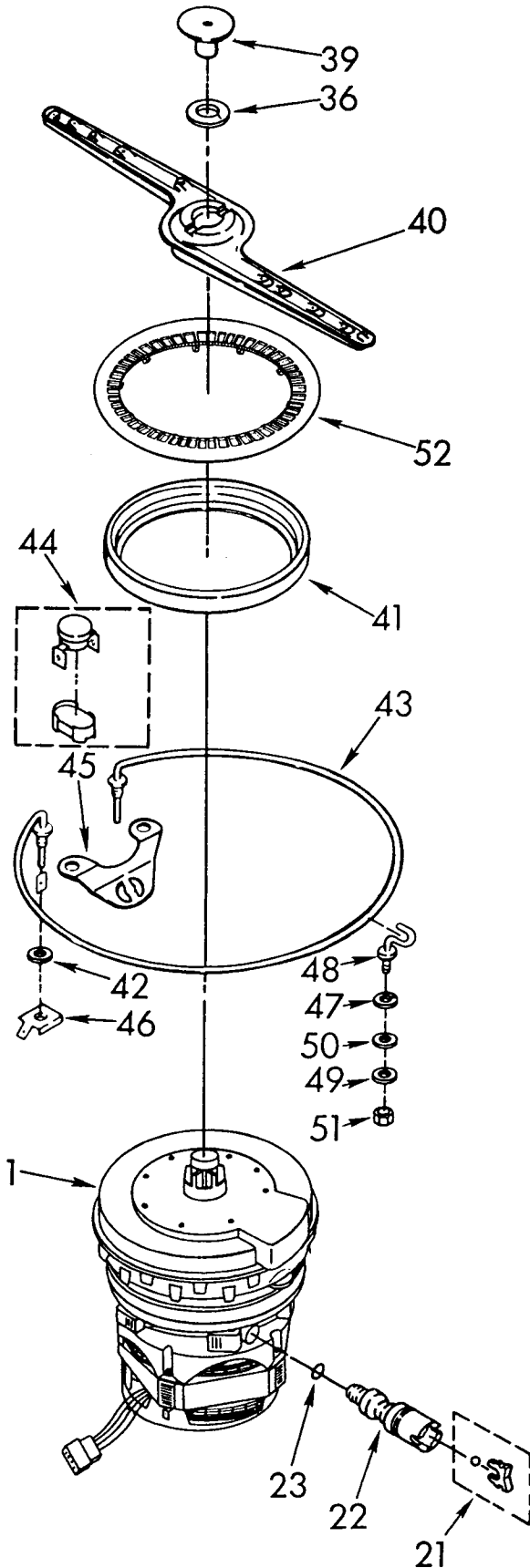
1	303270	Door, Inner (Includes Illus.4)
2	303197	Support, Door (R.H.)
	303196	Support, Door (L.H.)
3	717921	Gasket, Door
4	303202	Liner, Door
5	300115	Pin, Lid Hinge
6	300239	Button, Retainer (5)
7	300250	Screw, 8-18 x 3/8 Hi-Lo (5)
8	719860	Baffle
9	303978	Baffle
10	LIT303498	Label, User Guide
11	300246	Screen, Vent
12	300235	Latch Assembly
14		Switch, Interlock
	300232	Alternate
	303075	Alternate
15	300234	Pin, Pivot
18	301458	Screw, 8 x 1/2 Truss Head Tapping (2)
19	719341	Dispenser, Wetting Agent
20	713080	Washer (2)
21	718575	Nut, 1-14 Buttress Thread (1)
22	303163	Indicator, Level
23	718250	Screw, 8 x 1/2 Hi-Lo Blunt Point
26	300155	Lid, Detergent Dispenser Assembly
27	300106	Spring, Lid
28	301582	Screw, 6-32 x 1 Hex-Head Tapping (1)
31	302460	Pad, Rubber
32	300119	Lever, Catch
33	300105	Seal, Lever
34	718250	Screw, 8 x 1/2 Hi-Lo Blunt Point (2)
35	300104	Retainer, Seal
38	300109	Actuator
39	718250	Screw, 8 x 1/2 Hi-Lo Blunt Point (1)
41	90767	Screw, 8A x 3/8 Ground (1)
42	303223	Barrier, Door
43	303222	Barrier, Console
44	688983	Screw, 8-18 x 5/8 (2)
45	301971	Panel, Edging (Door)
46	90767	Screw, 8A x 3/8 Ground (1)
48		Panel, Front
49	303501	Trim, Door
60	716425	Spring, Door
61	716401	Retainer, Spring
67	718576	Cap, Drip
68		Panel, Access
70	717968	Plate, Toe
72	302868	Screw, 8-18 x 1/2 Hex-Head Tapping (4)
74	300128	Screw, 8-18 x 1/2 (4)
77	300237	Washer
78	90767	Screw, 8A x 3/8 Hex-Head Tapping (2)
81	718592	Spring, Conical
82	98165	Screw, 8-18 x 5/8 Hex-Head Slotted (3)
84	98810	Screw, 8-18 x 1 (2)
85	718646	Actuator Assembly
86	718596	Plate
87	718595	Diahpragm, Pin Assembly
89	300230	Lever, Release

90	301957	Spacer, Corrugated
91	301857	Clip, Wire (2)
92	302251	Screw, 8 x 1/2 (4)
93	303362	Shield, Harness
94	303121	Retainer, Clip
95	90767	Screw, 8A x 3/8 Hex-Head Tapping
96	301815	Flange, Access Panel
97	301814	Frame, Lower Panel
98	301816	Flange, Access Panel Frame
99	345304	Screw, 8 x 3/8

|Refer To Dishwasher Replacement
Panel Parts List No. 675345.

HEATER, PUMP AND LOWER SPRAYARM PARTS

For Model: DU7503XL-0

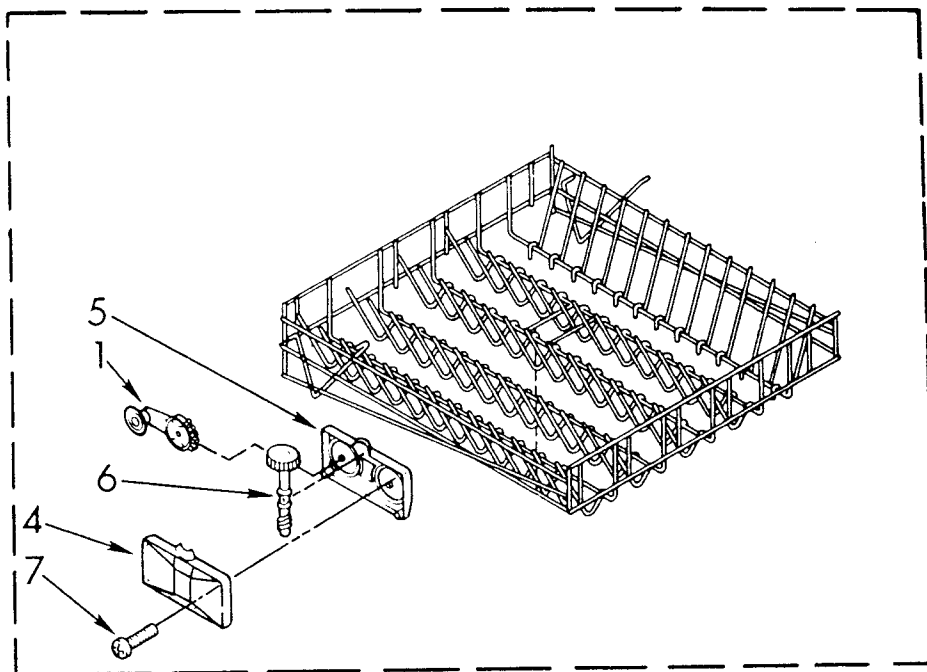


FOR ORDERING INFORMATION REFER TO PARTS PRICE LIST

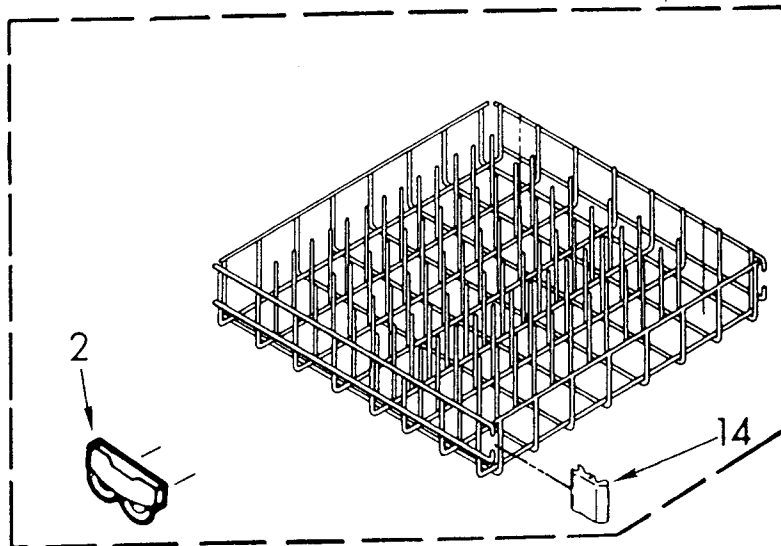
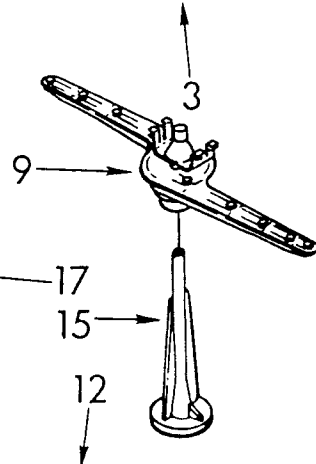
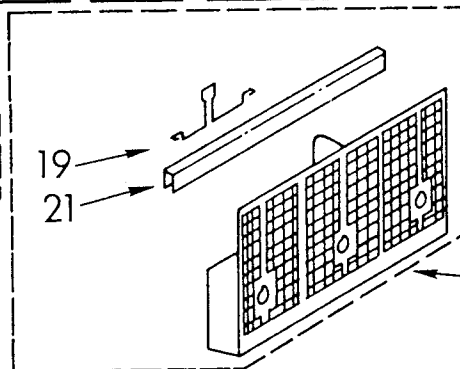
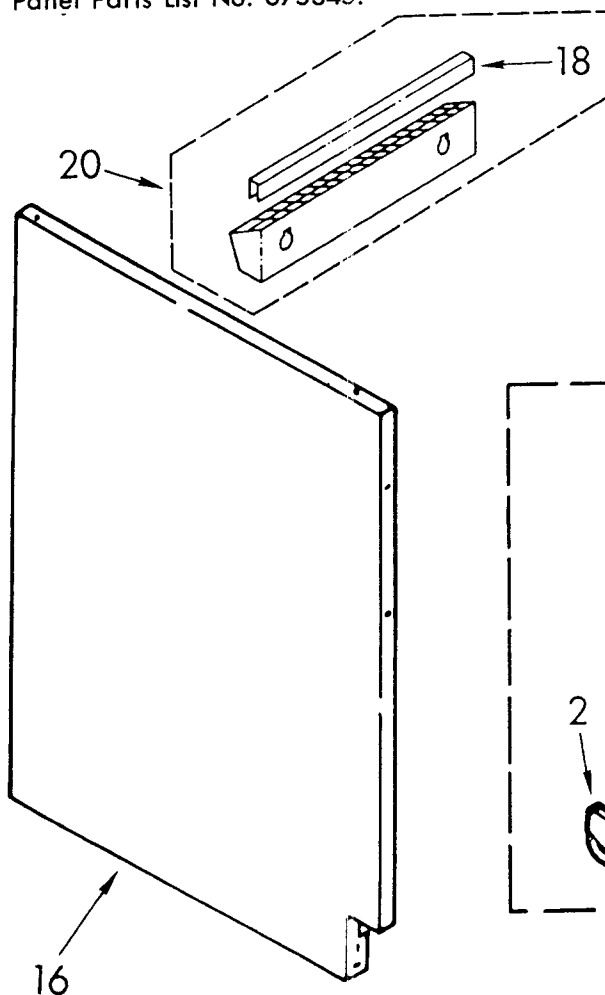
1 302740 Pump & Motor Assembly (Includes Illus. 41)
for breakdown of pump parts, refer to pump and motor parts page.
21 675488 Check Ball & Retainer
22 300800 Valve, Check (Includes Illus. 21 & 23)
23 95080 ``O'' Ring
36 719576 Bearing, Nozzle
39 302737 Cap, Nozzle
40 302767 Spray Arm, Lower
41 717000 Gasket, Pump
42 717273 Washer, Rubber (2)
43 Heater
717141 Alternate
719687 Alternate
302113 Alternate
302562 Alternate
44 302104 Thermostat
45 715073 Bracket
46 718537 Nut, 7/16 x 20 (2)
47 717289 Washer Retainer (2)
48 717096 Support, Heater (2)
49 711284 Washer (2)
50 14351 Washer (2)
51 9420162 Nut, 10-32 (2)
52 303469 Grate

DISHRACK AND PANEL PARTS

For Model: DU7503XL-0



†Refer To Dishwasher Replacement Panel Parts List No. 675345.

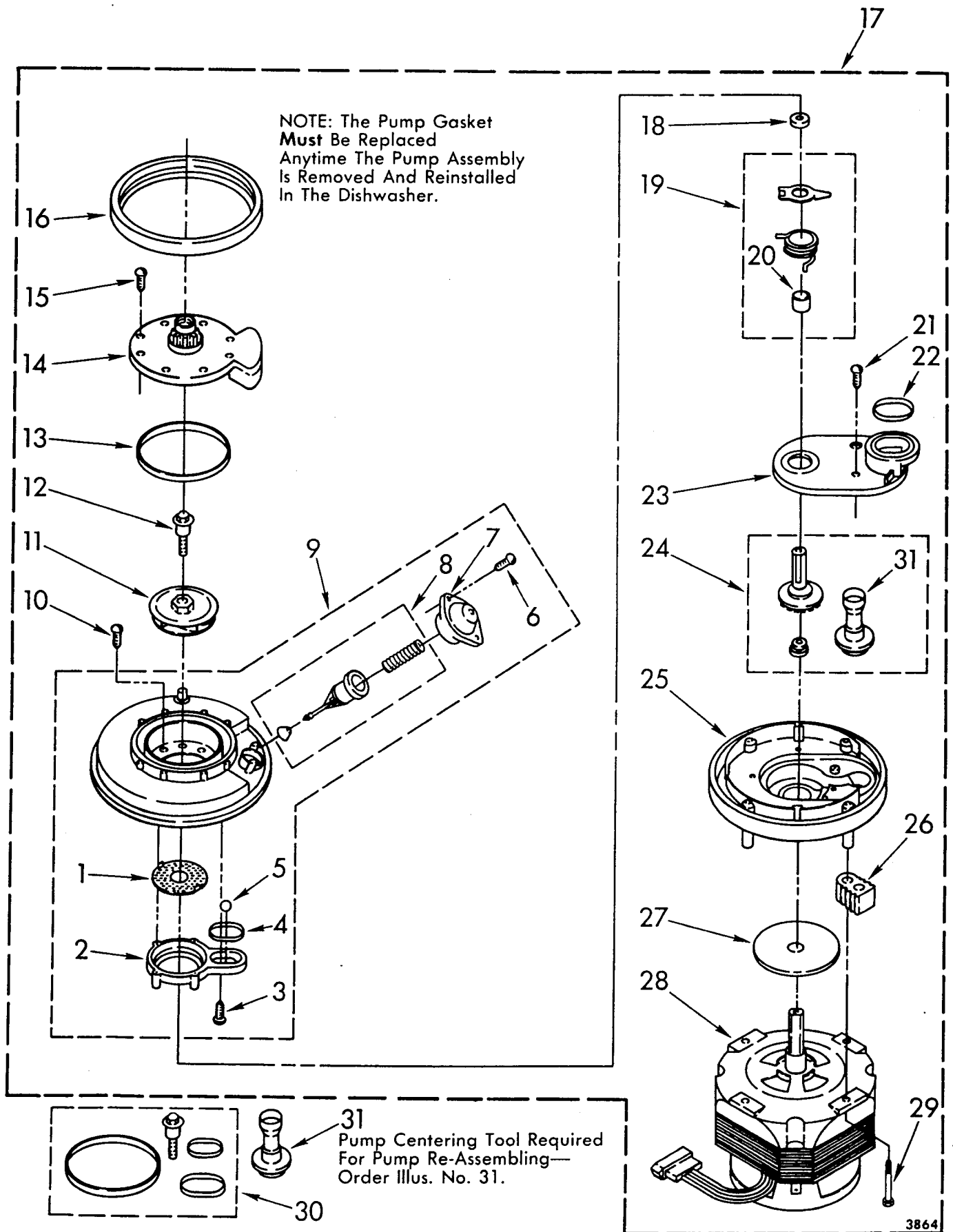


FOR ORDERING INFORMATION REFER TO PARTS PRICE LIST

1	302025	Wheel & Gear Assembly (4)
2	717509	Wheel & Shroud Assembly (4)
3	302885	Dishrack, Upper
4	302029	Cover, Housing (2)
5	302028	Housing, Gear (2)
6	302026	Worm, Dishrack (2)
7	301077	Screw (8)
9	302813	Spray Arm Assembly
12	302405	Dishrack, Lower
14	719964	Bumper (2)
15	302030	Tower
16		Panel, R.S.
		Panel, L.S.
17	301994	Silverware Basket Assembly
18	717528	Trim Basket
19	300086	Handle Basket
20	301998	Utensil Basket Assembly
21	717528	Trim, Basket

|Refer To Dishwasher Replacement
Panel Parts List No. 675345.

302740 PUMP AND MOTOR PARTS



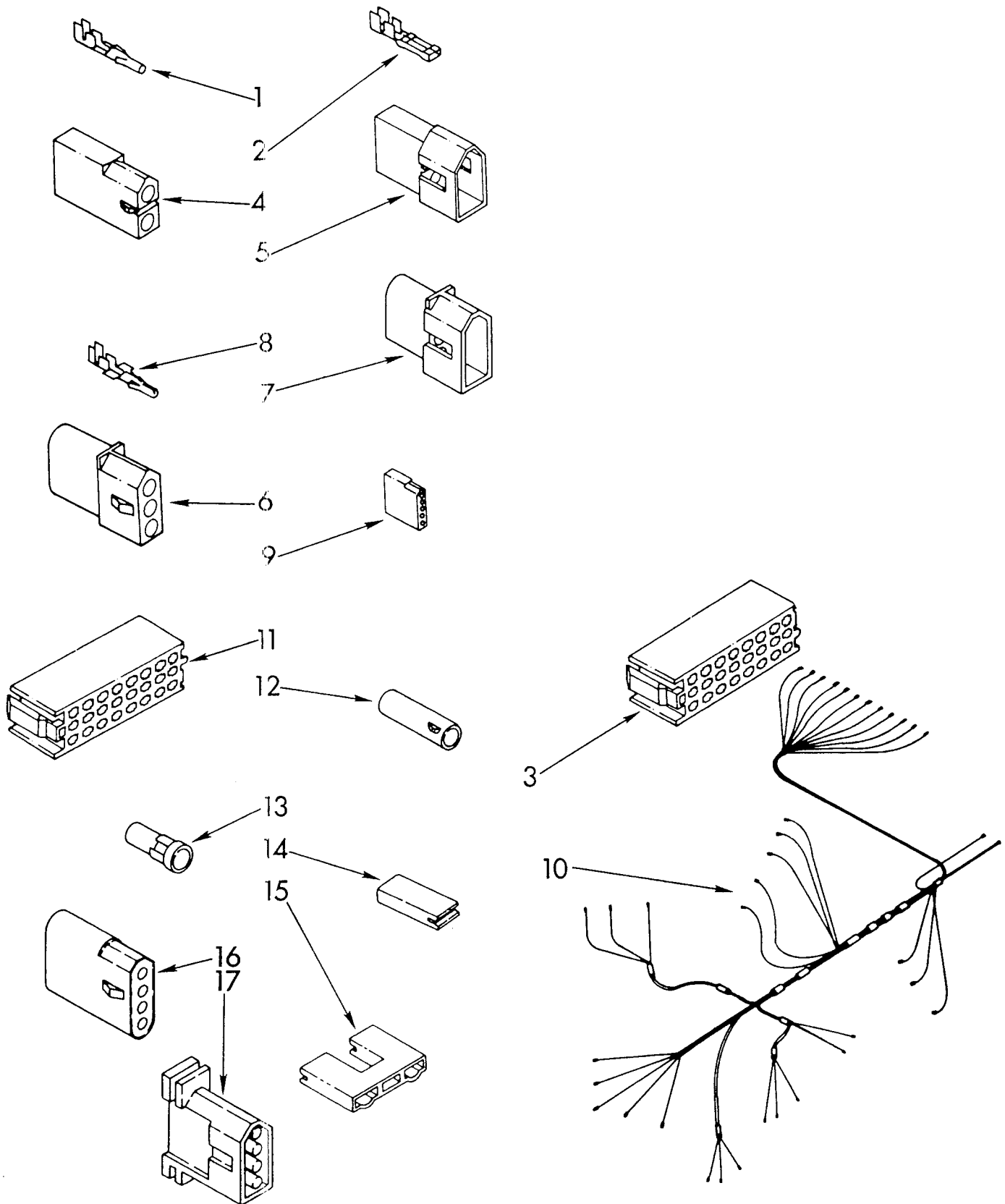
FOR ORDERING INFORMATION REFER TO PARTS PRICE LIST

1 302720 Plate, Perforated (Includes Illus. 5) (Also Order Illus. No.
 30) See Note A.
 2 302726 Base, Inlet (Includes Illus. 1 & 5) (Also Order Illus. No. 30)
 See Note A.
 3 303573 Screw, 8-18 x 5/8 St. Stl.
 4 302710 Seal, Inlet Base
 5 302709 Ball, Check
 6 303573 Screw, 8-18 x 5/8 St. Stl. (2)
 7 302721 Cover, Valve
 8 302738 Valve Stem Kit (Includes Illus. 12, 13 & 22) See Note A.
 9 302741 Separator Assembly (Includes Illus. 12, 13 & 22) See Note A.
 10 302717 Screw, 8-18 x 1-5/8 St. Stl. (4)
 11 303510 Impeller, Wash (Includes Illus. 12 & 13)
 12 303516 Screw & Seal, 10-32 x 3/4
 13 302711 Seal, Pump Outlet
 14 302730 Outlet, Pump (Includes Illus. 13)
 15 303573 Screw, 8-18 x 5/8 St. Stl. (8)
 16 717000 Gasket, Pump
 17 302740 Pump & Motor Assembly
 18 302707 Bushing, Grind
 19 302718 Chopper Kit (Also Order Illus. No. 30) See Note A.
 20 302705 Sleeve, Drain Impeller
 21 718258 Screw, 8-18 x 5/8
 22 302704 Seal, Drain Cover
 23 302723 Cover, Drain (Also Order Illus. No. 30) See Note A.
 24 675514 Impeller, Drain Kit (Includes Illus. 31) (Also Order Illus.
 No. 30)
 25 675516 Base, Pump (Includes Illus. 24) (Also Order Illus. No. 30) See
 Note A.
 26 718260 Support, Pump Mounting (4)
 27 303252 Slinger (See Note A.)
 28 675515 Motor, 50/60 HZ (Includes Illus. 24 & 27) (Also Order Illus.
 No. 30) See Note A. (For Electrical Connector Only, See Wiring Harness Page)
 29 301817 Screw, 13-18 x 1-1/2
 30 675505 Pump Seal Kit (Includes Illus. 4, 13 & 22)
 31 303918 Tool, Pump Centering (Included With Illus. 24)

NOTE A: pump centering tool required for pump re-assembling---order illus. No.
 31.

WIRING HARNESS PARTS

For Model: DU7503XL-0



FOR ORDERING INFORMATION REFER TO PARTS PRICE LIST

1	94614	Terminal
2	352088	Terminal, Female
3	352089	Disconnect Block, Timer
4	717252	Receptacle, Terminal (2-Way)
5	717253	Plug, Terminal
6	353425	Receptacle, Terminal (3-Way)
7	353424	Plug, Terminal
8	94613	Terminal
9	719585	Receptacle (5-Circuit)
10	303433	Harness, Wiring
11	352090	Disconnect Block
12	351296	Receptacle Terminal
13	351297	Plug Terminal
14		Connector Block
	301219	Alternate
	358736	Alternate
15		Connector Block
	300708	Alternate
	374230	Alternate
16	717315	Receptacle, Terminal
17	717316	Plug, Terminal