

**PARTS  
LIST  
FOR**

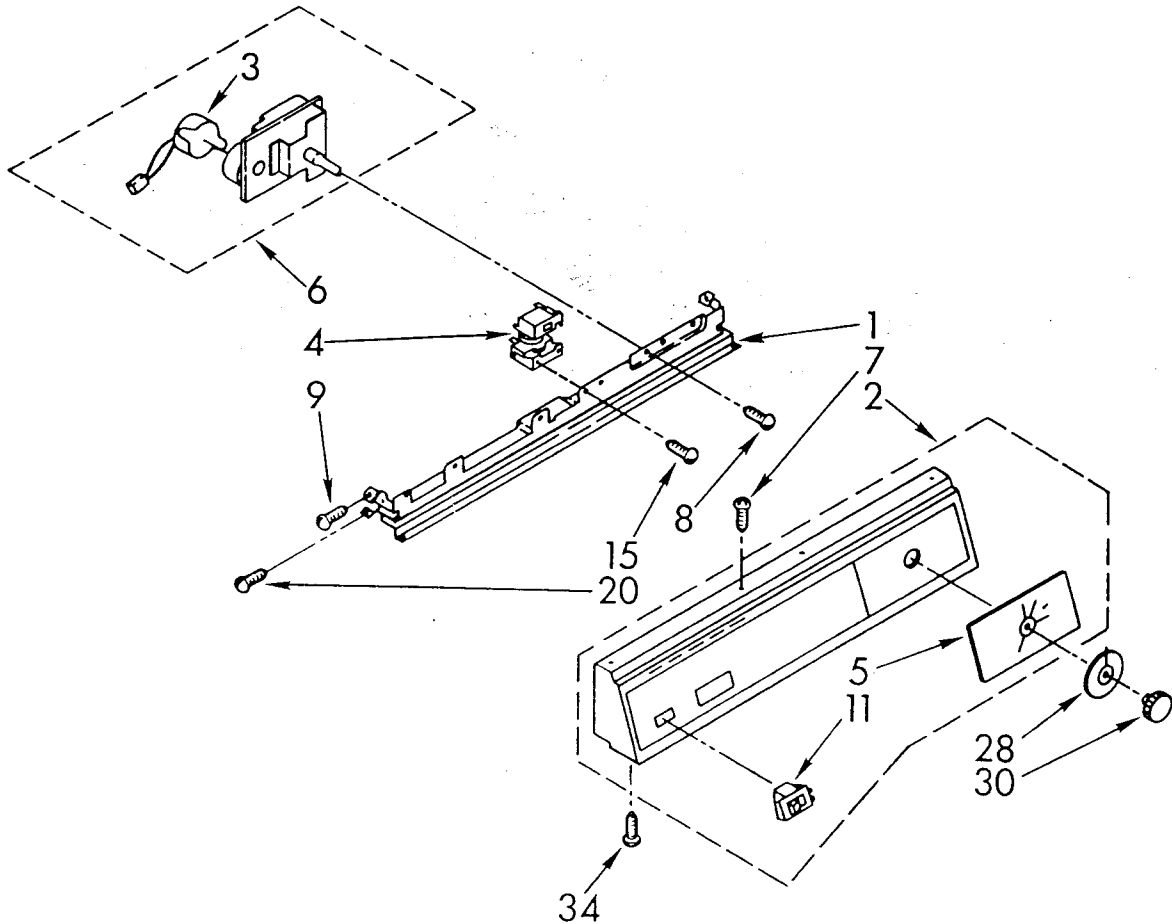


**MODEL  
DU3003XL-0**

White, Black,  
Golden Harvest, Almond,  
Toast, Platinum

**UNDERCOUNTER DISHWASHER**

**CONSOLE PARTS**



1-84 Litho in U.S.A.

**Whirlpool CORPORATION**  
Benton Harbor, Michigan.  
FOR SERVICE INFORMATION  
SEE SERVICE (BROWN) FILMCARD(S)

**39-B-1**

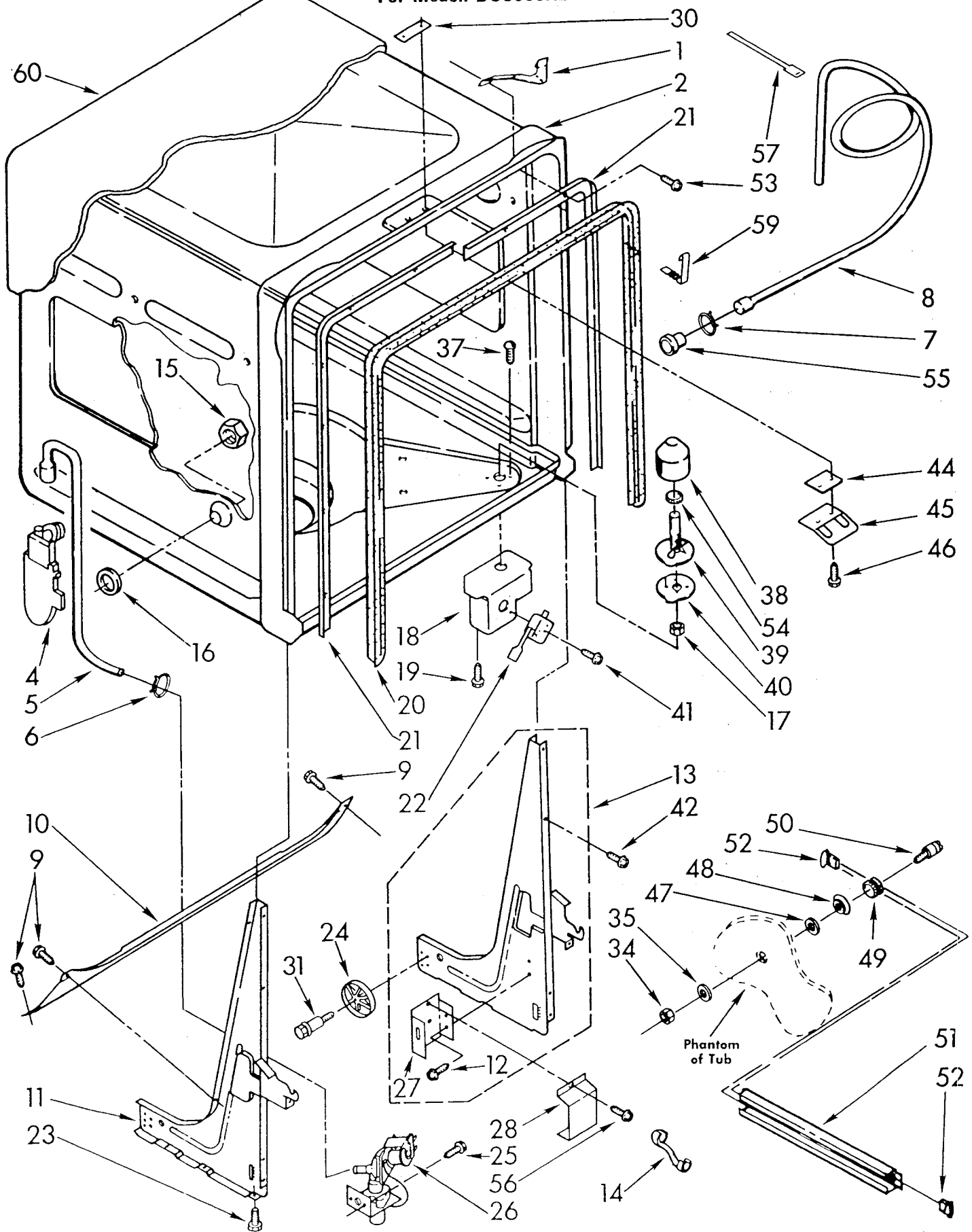


Part No. 303697

1	300754	Bracket, Console
2	303458	Panel, Escutcheon
3	301074	Motor, Timer
4		Relay, Start
	300516	Alternate
	301620	Alternate
	301536	Alternate
5	303441	Insert, Console
6	303281	Timer
7	162402	Screw (4)
8	339494	Screw (2)
9	302868	Screw, 8-18 x 1/2 (2)
11	302100	Switch, Rocker
15	98209	Screw
20	303090	Screw, 8-18 x 5/8 (2)
28	300996	Dial, Indicator
30	301010	Knob
34	301502	Screw, 6-20 x 3/8 (3)

# TUB PARTS

For Model: DU3003XL-0



FOR ORDERING INFORMATION REFER TO PARTS PRICE LIST

1	300796	Bracket, Mounting (2)
2	303110	Tub Assembly
4	300974	Inlet, Water
5	301054	Hose, Inlet
6	301958	Clamp
7	356138	Clamp
8	719954	Hose, Drain
9	90767	Screw, 8A x 3/8 Hex Head Tapping (4)
10	303111	Brace
11	302822	Leg & Hinge Assembly, L.H.
12	718178	Screw, 8-32 x 3/8 Hex Washer Head Slotted Tapping Ground (1)
13	302823	Leg & Hinge Assembly, R.H.
14	717563	Relief, Strain
15	713799	Nut, 7/8-16 Polypropylene (1)
16	713878	Gasket
17	717488	Nut, 1/8 Self-Threading (1)
18	719342	Bracket, Overflow
19	718250	Screw, 8 x 1/2 Hi-Lo Blunt Point (3)
20		Gasket
	302090	Alternate
	302091	Alternate
21	302093	Retainer, R.S.
	302094	Retainer, L.S.
22	301671	Switch, Pressure
	301672	Switch, Pressure (Alternate)
23	302849	Leveling Leg
24	302819	Wheel, Leg
25	90767	Screw, 8A x 3/8 Hex Head Tapping (2)
26	300453	Valve, Water Inlet
27	300067	Box, Terminal
28	300068	Cover, Terminal Box
30	303080	Nut, Twin Spring
31	302818	Screw, Shoulder
34	718829	Locknut, 10-32 (8)
35	717624	Washer (8)
37	717236	Screw, 8-18 x 1/2 Pan Head Tapping (1)
38	718035	Float
39	719967	Standpipe, Overflow
40	719966	Gasket, Overflow
41	98086	Screw, 4-40 x 3/4 Hex Head Slotted Thread Cutting (1)
42	90767	Screw, 8A x 3/8 Hex Head Tapping\ \Ground (2)
44	712302	Shim
45	300233	Strike
46	9416643	Screw, 10-12 x 1/2 (2)
47	718750	Washer (8)
48	718817	Washer, Cup (8)
49	300844	Wheel Assembly (8)
50	712499	Screw, Shoulder (8)
51	300846	Track (2)
52	300845	End Cap, Track (4)
53	719266	Screw, 8-18 x 5/8 Indented Hex-Head (10)
54	301662	Gasket (2)
55	301656	Insert, Cup-Hose
56	90767	Screw, 8A x 3/8 Hex Head Tapping (1)
57	596490	Clip, Strap
59	301663	Clip, Gasket
60	303457	Soundshield, Tub

OPTIONAL PARTS NOT INCLUDED

PAINT, TOUCH UP (1/2 oz.)

72017	White
72107	Almond
72109	New Avocado
72110	Golden Harvest
72108	Coffee
72032	Black
72112	Toast
72113	Platinum

PAINT, PRESSURIZED SPRAY (13 oz.)

350930	White
350956	Almond
261888	New Avocado
261890	Golden Harvest
261886	Coffee
350939	Black
285365	Toast
285366	Platinum
206922	Primer (White)
206925	Leveler (Thinner) (2 Oz.)

PAINT, BULK (1 QT.)

*799344	White (Uncut)
*799340	Black (Uncut)
*261889	New Avocado (Uncut)
*261891	Golden Harvest (Uncut)
*261887	Coffee (Uncut)
*285367	Toast (Uncut)
*285368	Platinum (Uncut)
799351	Thinner (1 Gal.)

\*Special Thinner 799351 Required

TUB LINER REPAIR

799640	Kit, Epoxy Patch (White)
--------	--------------------------

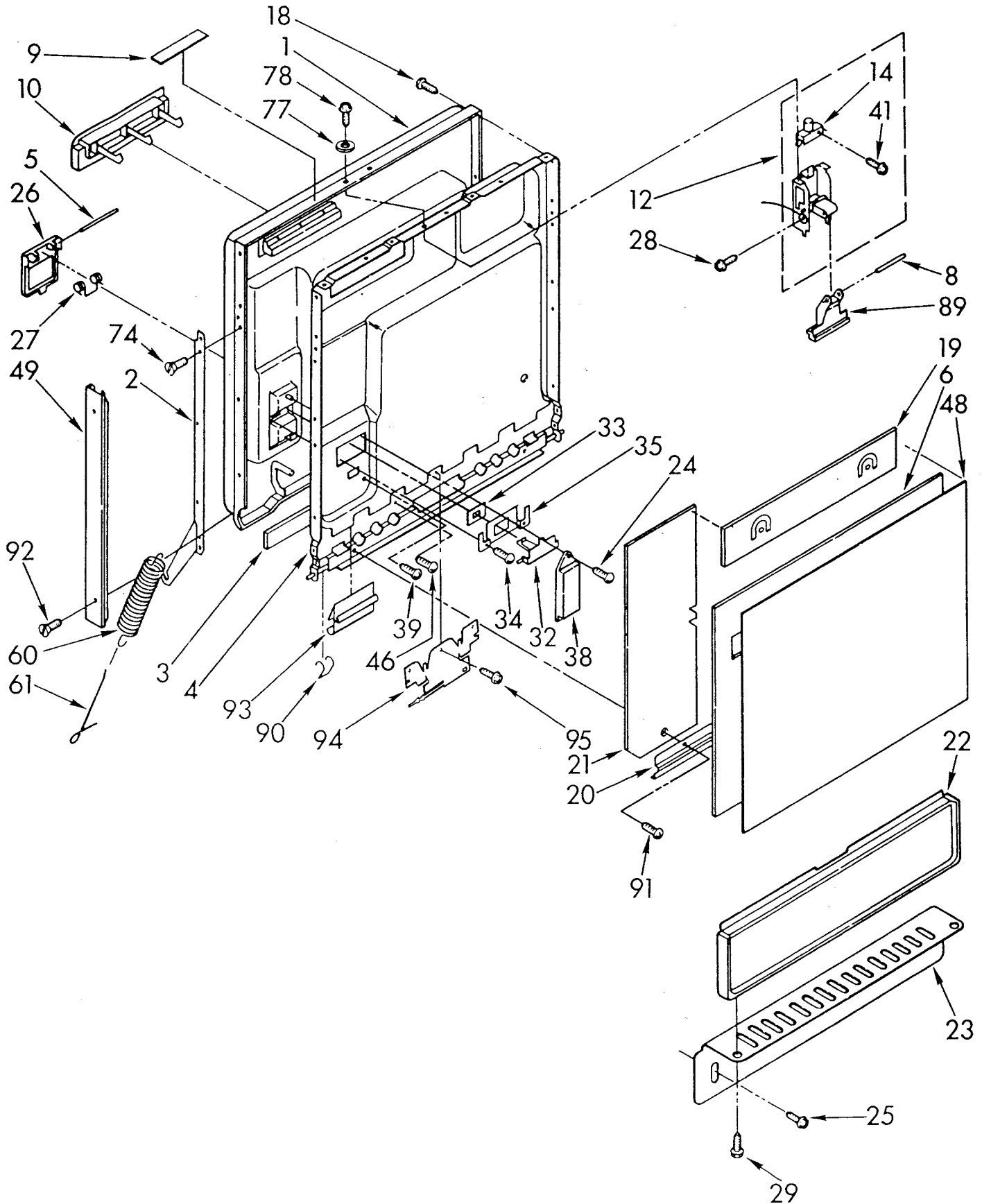
FOLLOWING PARTS NOT ILLUSTRATED

LITERATURE PARTS

303549	Tag, Energy Fact
303311	Instructions, Installation
303810	Guide, Use & Care
303697	List, Parts

# DOOR PARTS

For Model: DU3003XL-0



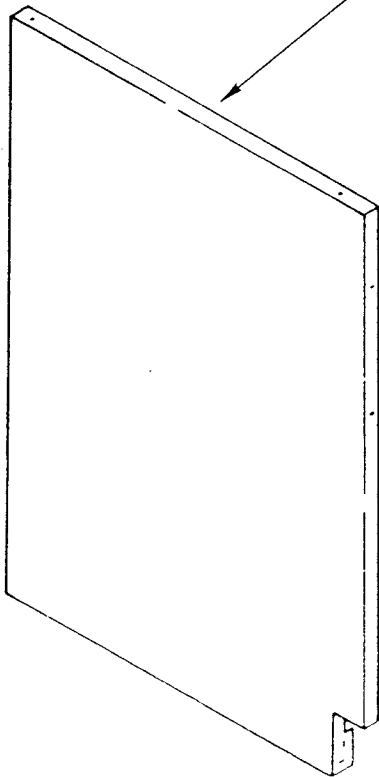
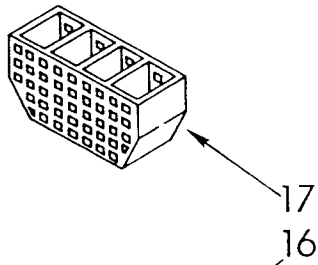
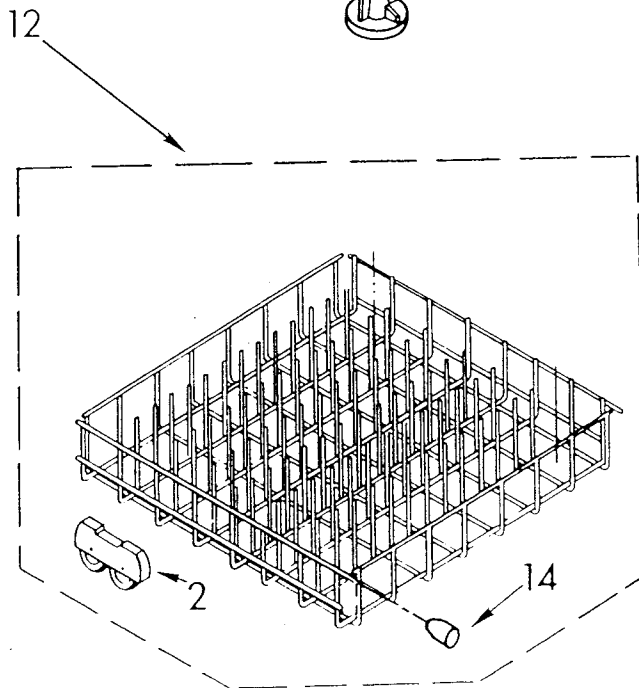
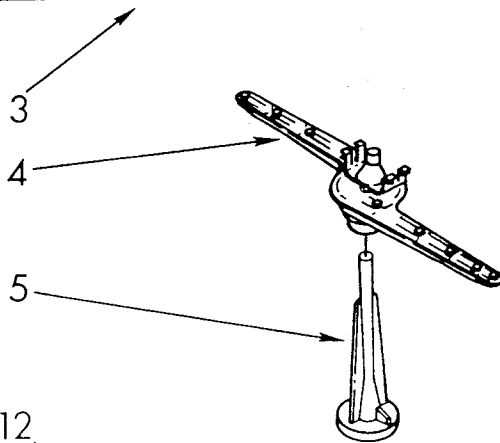
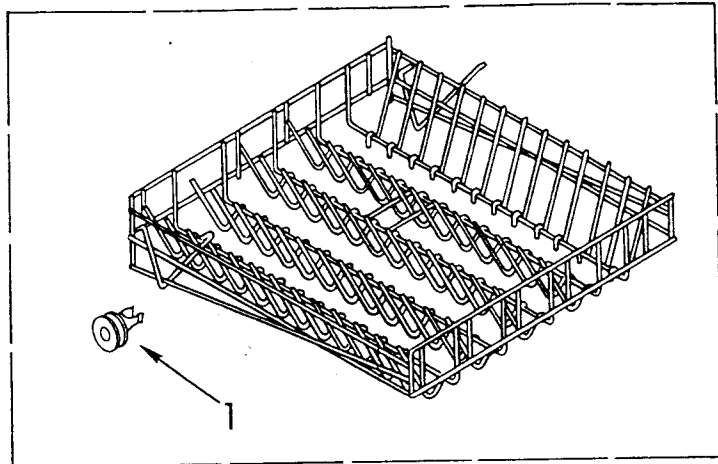
FOR ORDERING INFORMATION REFER TO PARTS PRICE LIST

1	303266	Door, Inner (Includes Illus. 4)
2	303197	Support, Door (R.H.)
	303196	Support, Door (L.H.)
3	717921	Gasket, Door
4	303202	Liner, Door
5	300115	Pin, Lid Hinge
6	301957	Sp\ a\ cer, Cor\ ru\ ga\ te\ d
8	300234	Pin, Pivot (2)
9	LIT302081	Label, User Guide
10	300246	Screen, Vent
12	300235	Latch Assembly
14		Switch, Interlock
	300232	Alternate
	303075	Alternate
18	301458	Screw, 8 x 1/2 Truss Head Tapping (2)
19	303222	Barrier, Console
20	301971	Panel Edging, Door
21	303223	Barrier, Door
22	302135	Panel, Access
23	303144	Plate, Toe
24	718250	Screw, 8 x 1/2 Hi-Lo Blunt Point (1)
25	300890	Screw, 8-18 x 3/8 Hex Washer Head Slotted Tapping (2)
26	300155	Lid, Detergent Dispenser Assembly
27	300106	Spring, Lid
28	90767	Screw, 8A x 3/8 Hex Washer Head Tapping (Ground) (1)
29	302868	Screw, 8-18 x 1/2 (4)
32	300119	Lever, Catch
33	300105	Seal, Lever
34	718250	Screw, 8 x 1/2 Hi-Lo Blunt Point (2)
35	300104	Retainer
38	300109	Actuator
39	718250	Screw, 8 x 1/2 Hi-Lo Blunt Point (1)
41	301582	Screw, 6-32 x 1 (1)
46	90767	Screw, 8A x 3/8 Hex Head Tapping Ground (1)
48		Panel, Front
49	303501	Trim, Door (2)
60	716425	Spring, Door
61	716401	Retainer, Spring
74	300128	Screw, 8-18 x 1/2 Oval Head Serration Lock (6)
77	300237	Washer
78	90767	8A x 3/8 Hex Head Tapping (2)
89	300230	Lever, Release
90	301857	Clip, Wire
91	688983	Screw, 8-18 x 1/2 (2)
92	302251	Screw, 8 x 1/2 Oval Head (4)
93	303121	Retainer, Clip
94	303362	Shield, Harness
95	90767	Screw, 8A x 3/8 Hex Head Tapping

|Refer To Dishwasher Replacement  
Panel Parts List No. 675345.

# DISHRACK PARTS

For Model: DU3003XL-0



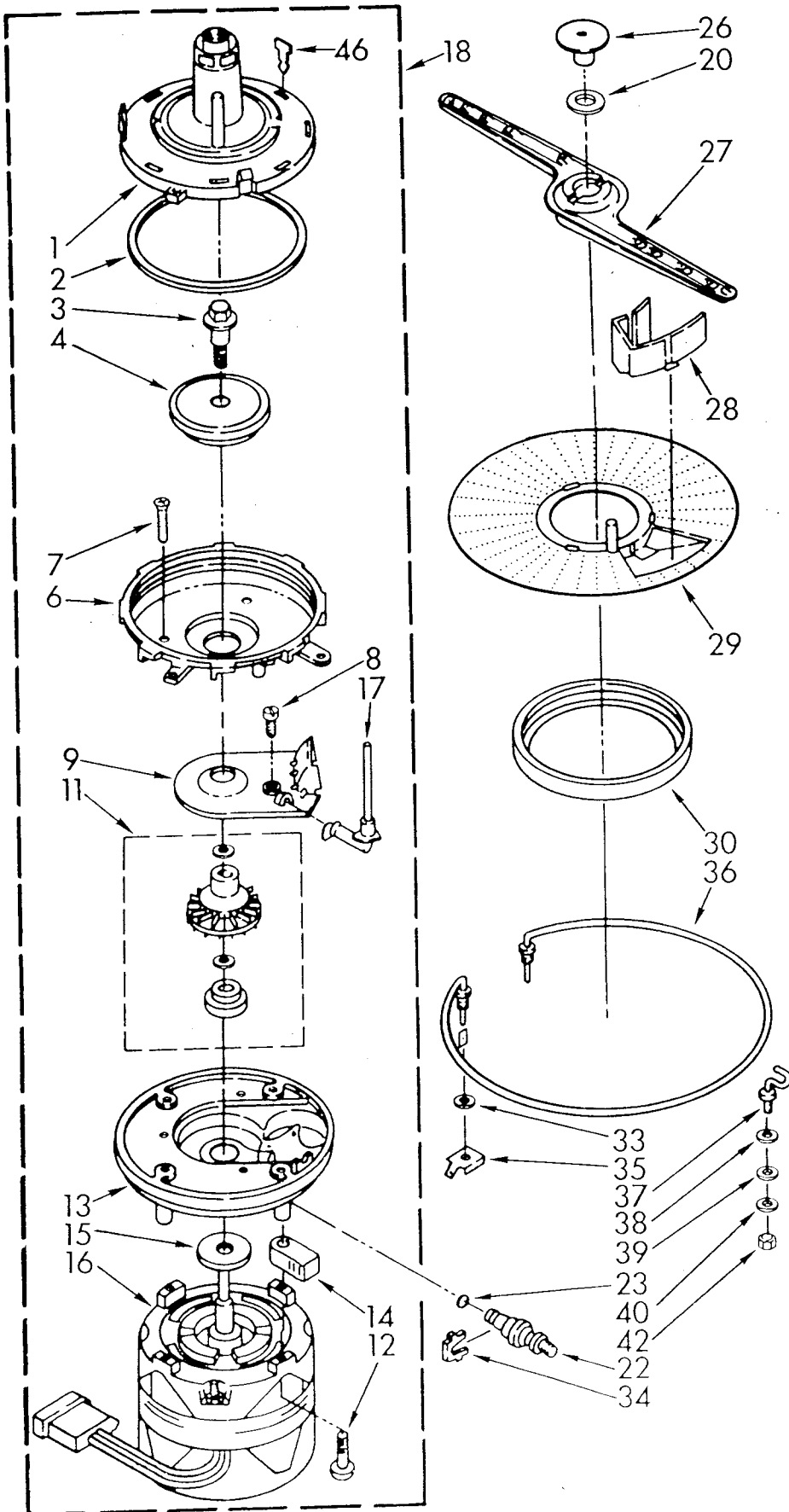


1	300995	Wheel & Axle Assembly (4)
2	717509	Wheel & Shroud Assembly (4)
3	302986	Dishrack, Upper
4	302813	Spray Arm Assembly
5	302030	Tower
12	303357	Dishrack, Lower
14	303358	Bumper
16		Panel, R.S.
17	302046	Basket, Silverware

|Refer To Dishwasher Replacement  
Panel Parts List No. 675345.

# PUMP AND MOTOR PARTS

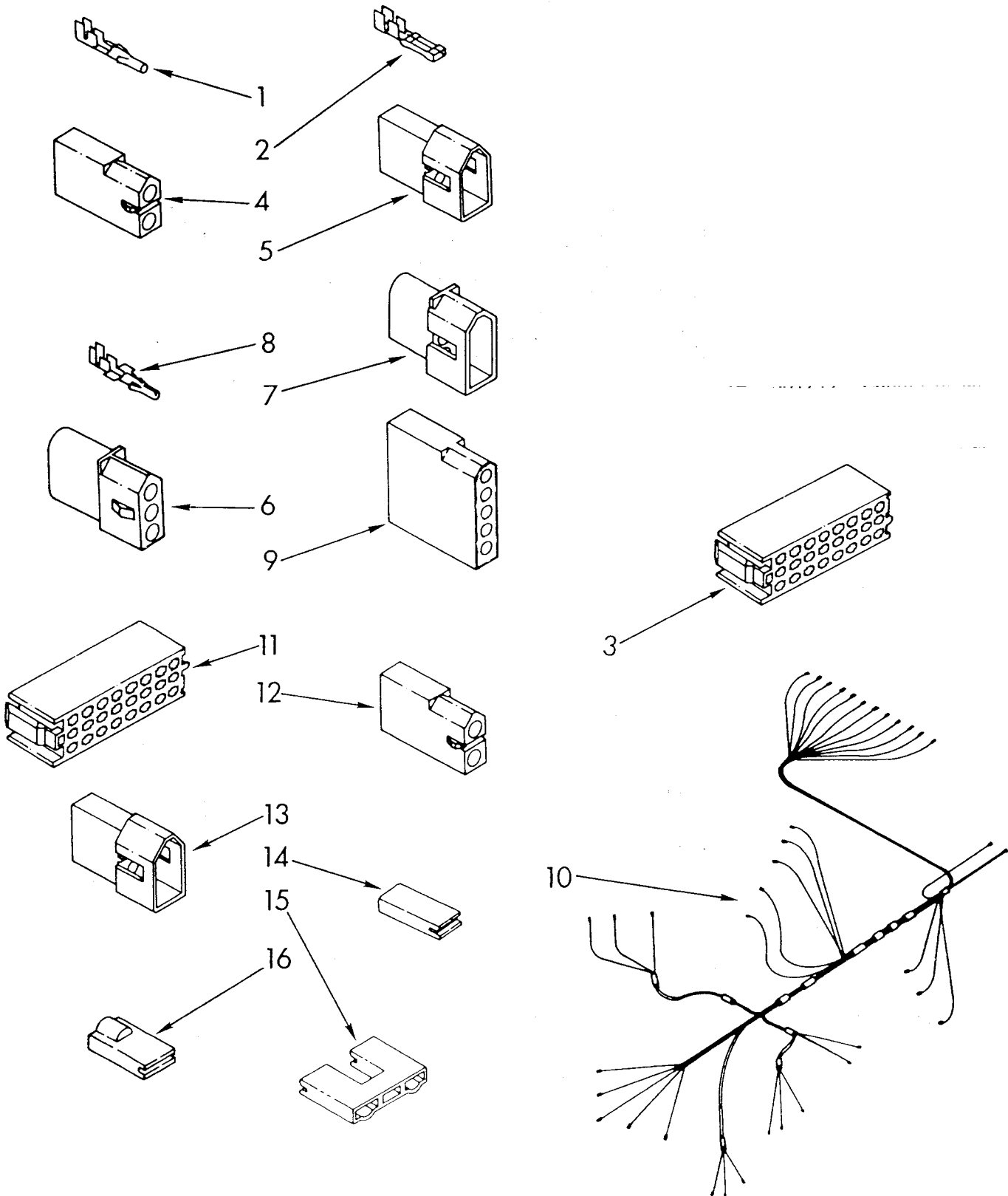
For Model: DU3003XL-0



1	301558	Pump Housing, Upper
2	718259	Seal, Ring
3	303516	Screw, 10-32 x .75
4	303517	Impeller
6	718222	Pump Housing, Lower
7	718257	Screw, 8-18 x 1.38
8	718258	Screw, 8-18 x .62
9	300084	Coverplate
11	675468	Kit, Drain Impeller
12	301817	Screw, 13-16 (4)
13	301812	Base, Pump
14	718260	Support, Pump (4)
15	303252	Slinger
16	303574	Motor
17	718629	Bleeder Assembly
18	303576	Pump & Motor Assembly
20	719576	Bearing, Nozzle
22	300800	Valve, Check
23	95080	Ring, ``O''
26	302816	Cap, Nozzle
27	302767	Spray Arm, Lower
28	303069	Guard, Screen
29	303070	Screen, Sump
30	717000	Gasket, Pump
33	717273	Washer, Rubber (2)
34	300797	Retainer, Check Valve
35	718537	Nut, 7/16-20 (2)
36		Heater
	717141	Alternate
	719687	Alternate
	302113	Alternate
	302562	Alternate
37	717096	Support, Heater (2)
38	717289	Washer, Retainer (2)
39	14351	Washer (2)
40	711284	Washer (2)
42	9420162	Nut, 10-32 (2)
46	301936	Key, Pump Housing

# WIRING HARNESS PARTS

For Model: DU3003XL-0



FOR ORDERING INFORMATION REFER TO PARTS PRICE LIST

1	94614	Terminal
2	352088	Terminal, Female
3	352089	Disconnect Block, Timer
4	717252	Receptacle, Terminal (2-Way)
5	717253	Plug, Terminal
6	353425	Receptacle, Terminal (3-Way)
7	353424	Plug, Terminal
8	94613	Terminal
9	719585	Receptacle (5-Circuit)
10	302344	Harness, Wiring
11	352090	Disconnect Block
12	717251	Receptacle Terminal (2-Way) (Red)
13	717250	Plug Terminal (Red)
14	301219	Connector Block
15	300708	Connector Block
16	358736	Insulator .250 Terminal