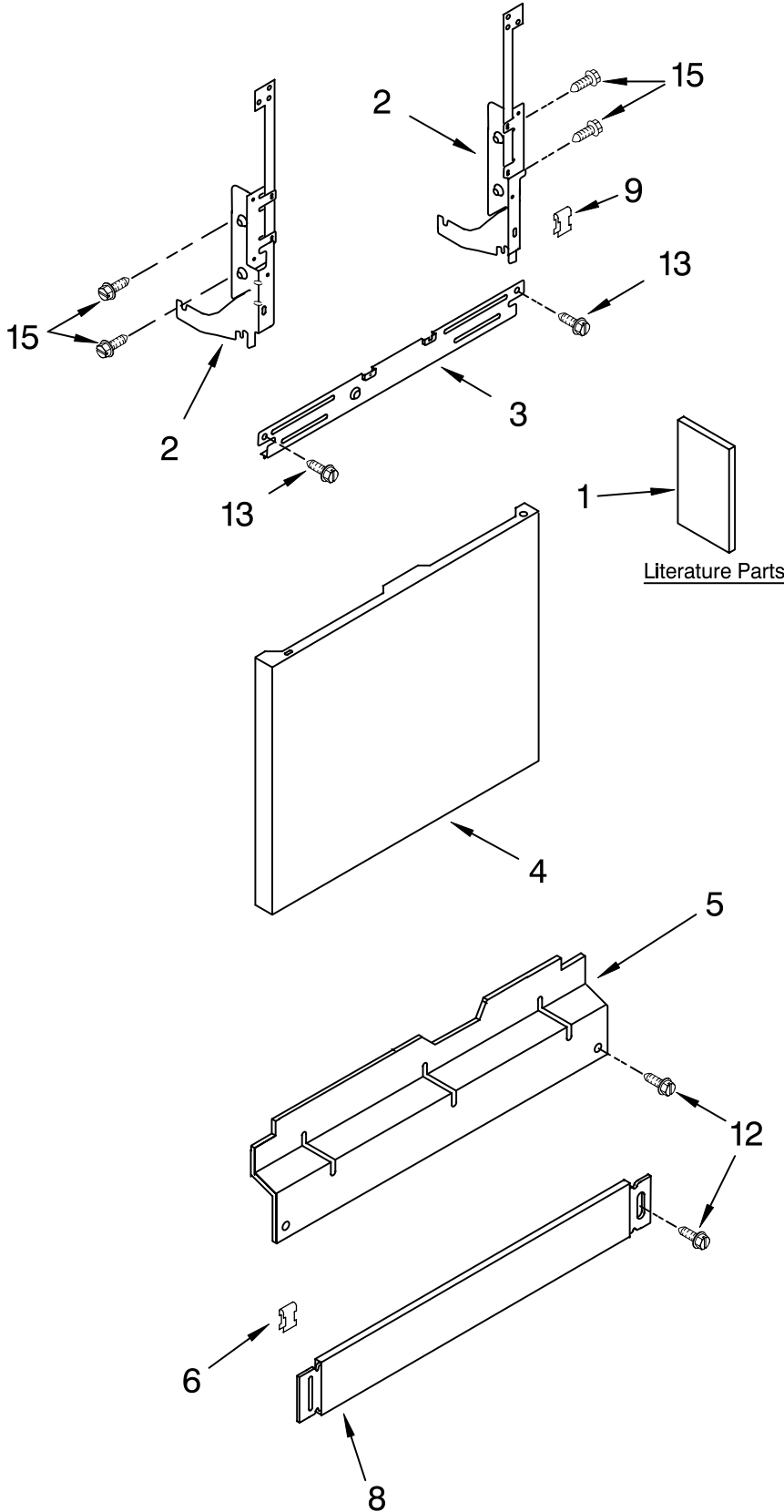




# DOOR AND PANEL PARTS

For Models: DU1055XTSB0, DU1055XTSQ0, DU1055XTST0, DU1055XTSS0  
 (Black) (White) (Biscuit) (Stainless)

UNDERCOUNTER  
 DISHWASHER

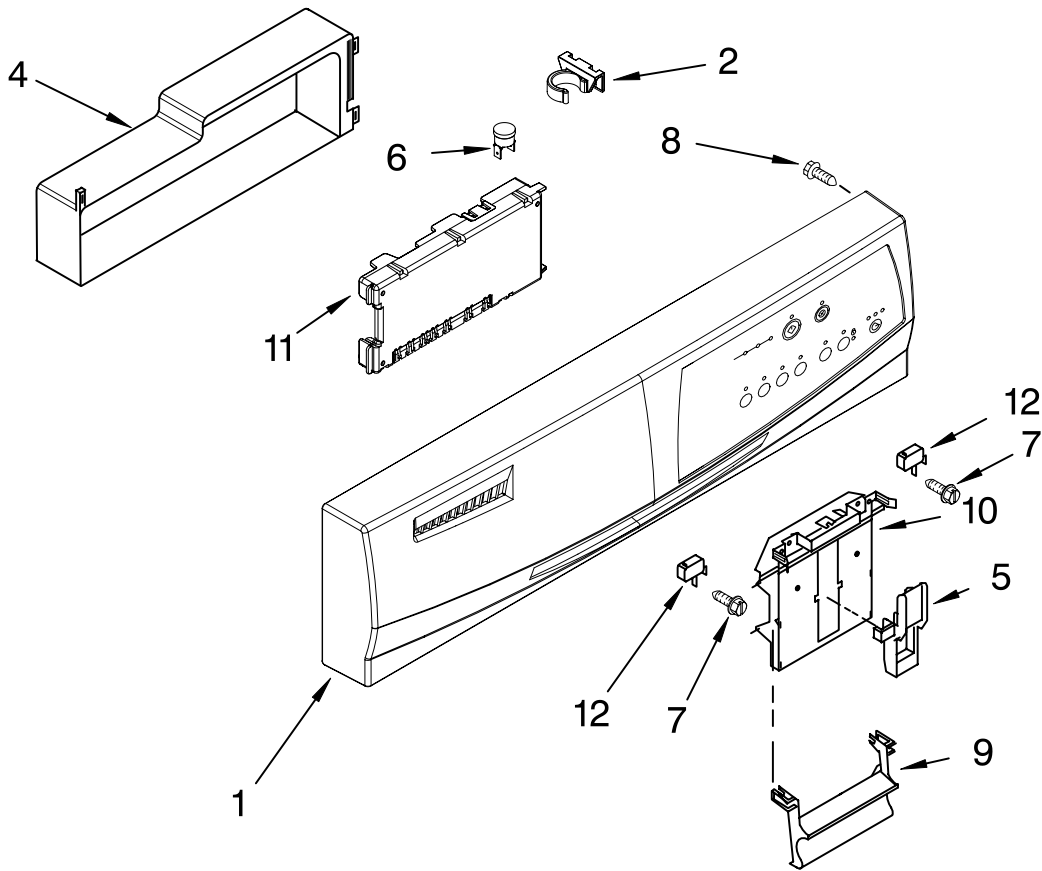


| Illus. No. | Part No.  | DESCRIPTION                |
|------------|-----------|----------------------------|
| 1          |           | Literature Parts           |
|            | 8575348   | Instructions, Installation |
|            | W10021610 | Energy Guide               |
|            | W10021620 | Guide, Use & Care          |
|            | 8572216   | Tech Sheet                 |
| 2          |           | Arm, Hinge                 |
|            | 8534858   | Left                       |
|            | 8534857   | Right                      |
| 3          | 8268983   | Stiffener, Door            |
| 4          |           | Panel Front                |
|            | W10073170 | Black                      |
|            | W10073180 | White                      |
|            | W10073190 | Biscuit                    |
|            | 8528840   | Stainless                  |
| 5          |           | Access Panel               |
|            | 8573255   | Black                      |
|            | 8573256   | White                      |
|            | 8573257   | Biscuit                    |
| 6          | 8269016   | Clip, Grounding            |
| 8          |           | Toe Panel                  |
|            | 8573286   | Black                      |
|            | 8573287   | White                      |
|            | 8573288   | Biscuit                    |
| 9          | 8269740   | Clip, Grounding            |
| 12         |           | Screw                      |
|            | 302868    | Black                      |
|            | 3400836   | White                      |
|            | 3400865   | Biscuit                    |
| 13         | 343641    | Screw                      |
| 15         | 489470    | Screw                      |

FOR ORDERING INFORMATION REFER TO PARTS PRICE LIST

# CONTROL PANEL PARTS

For Models: DU1055XTSB0, DU1055XTSQ0, DU1055XTST0, DU1055XTSS0  
 (Black) (White) (Biscuit) (Stainless)

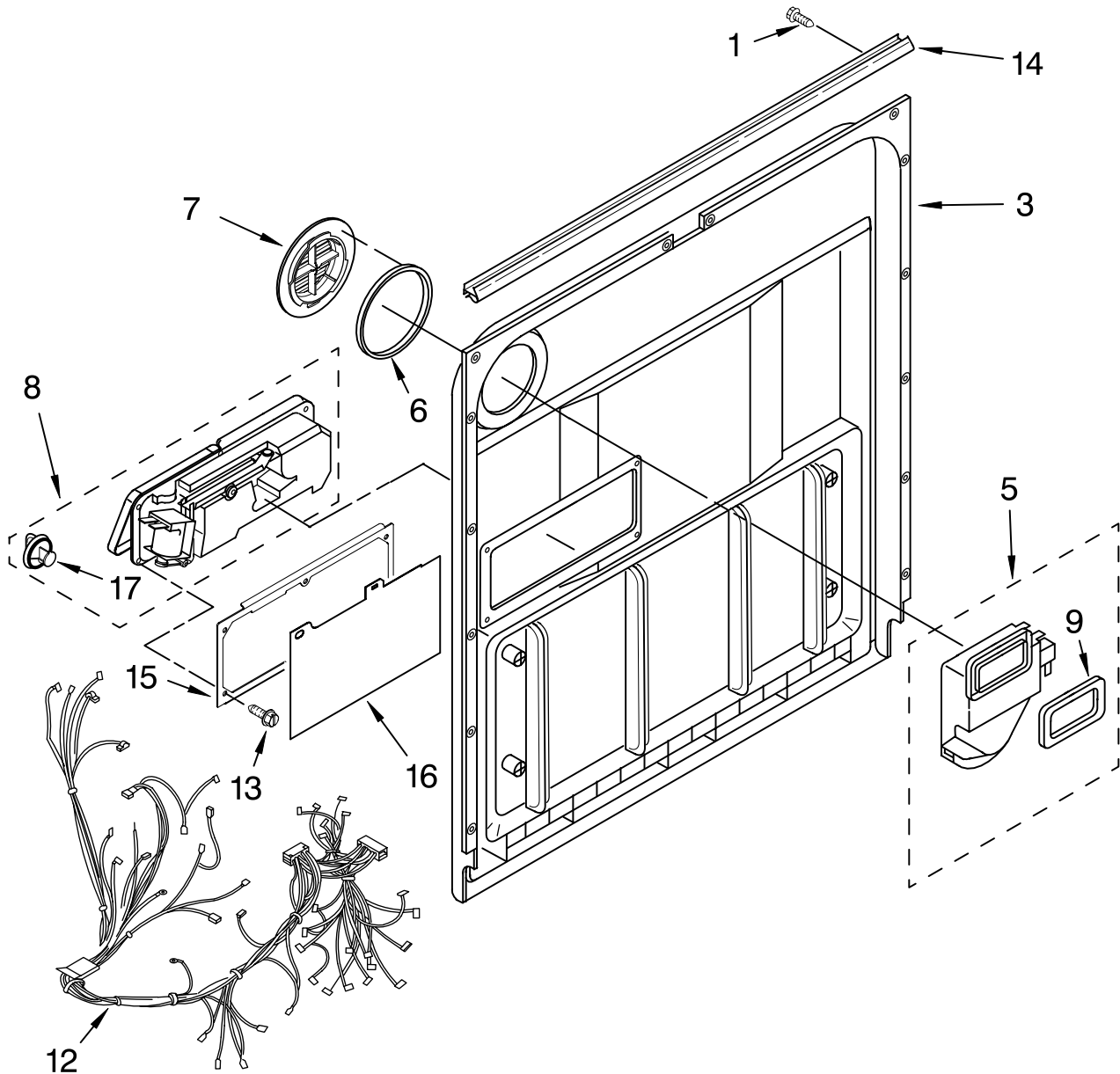


| Illus. No. | Part No.  | DESCRIPTION  |
|------------|-----------|--|
| 1          |           | Console Asm.<br>(Includes Active Overlay & Insert) |
|            | W10021690 | Black  |
|            | W10021700 | White  |
|            | W10021750 | Biscuit  |
| 2          | 8546546   | Clip, BI-Metal                                     |
| 4          | W10056090 | Cover Control Shield Assembly                      |
| 5          | 8524472   | Actuator, Latch                                    |
| 6          | 661663    | Fuse, Thermal Electronic                           |
| 7          | 3400412   | Screw  |
| 8          | 3369051   | Screw (6)  |
| 9          |           | Handle, Latch                                      |
|            | 8534984   | Black  |
|            | 8534985   | White  |
|            | 8534986   | Biscuit  |
| 10         | 8524476   | Bolt, Latch  |
| 11         | 8562997   | Control, Electronic                                |
| 12         | 8269209   | Switch, Door                                       |

FOR ORDERING INFORMATION REFER TO PARTS PRICE LIST

# DOOR AND LATCH PARTS

For Models: DU1055XTSB0, DU1055XTSQ0, DU1055XTST0, DU1055XTSS0  
 (Black) (White) (Biscuit) (Stainless)

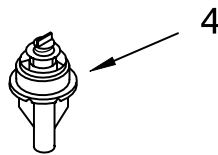
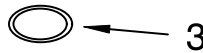
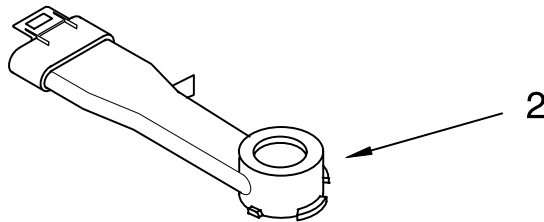
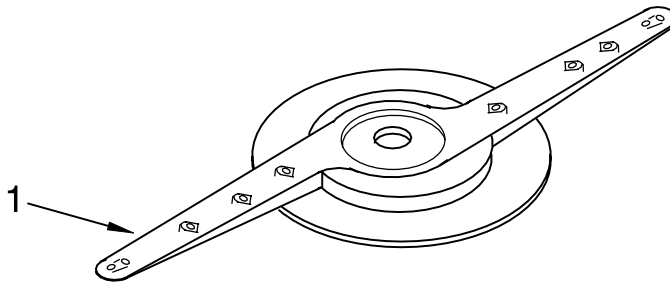


| Illus. No. | Part No. | DESCRIPTION                          | Illus. No. | Part No. | DESCRIPTION                            | Illus. No. | Part No. | DESCRIPTION        |
|------------|----------|--------------------------------------|------------|----------|--|------------|----------|--------------------|
| 1          | 3369051  | Screw, Door                          | 7          | 8542566  | Deflector, Vent<br>(Also Order Item 6) | 13         | 8281154  | Screw              |
| 3          | 8269311  | Inner Door<br>(Also Order Item 6)    | 8          | 8565814  | Dispenser, Assembly                    | 14         | 8269296  | Seal, Console/door |
| 5          | 8542603  | Vent Assembly<br>(Also Order Item 6) | 9          | 8269258  | Seal, Front                            | 15         | 8535637  | Bracket, Dispenser |
| 6          | 8269259  | Gasket, Vent                         | 12         | 8573172  | Wiring Harness Main                    | 16         | 8531865  | Shield, Dispenser  |
|            |          |                                      |            |          |  | 17         | 8558307  | Cap, Rinse Aid     |

FOR ORDERING INFORMATION REFER TO PARTS PRICE LIST

# LOWER WASHARM PARTS

For Models: DU1055XTSB0, DU1055XTSQ0, DU1055XTST0, DU1055XTSS0  
 (Black) (White) (Biscuit) (Stainless)

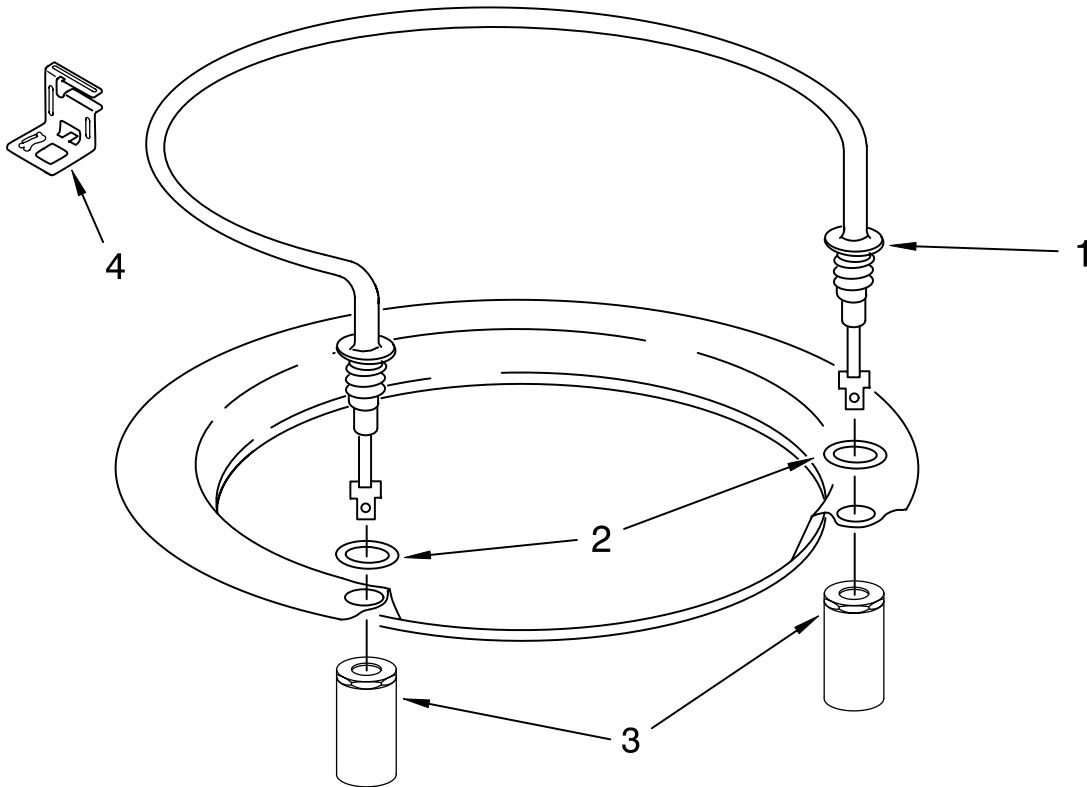


| Illus. No. | Part No. | DESCRIPTION                                    |
|------------|----------|--|
| 1          | 8268333  | Wash Arm Assembly                              |
| 2          | 8268317  | Cap, Internal Rear Feed<br>(Also Order Item 3) |
| 3          | 8268340  | Seal, Sprayarm                                 |
| 4          | 8268342  | Hub, Lower Sprayarm<br>(Also Order Item 3)     |

FOR ORDERING INFORMATION REFER TO PARTS PRICE LIST

# HEATER PARTS

For Models: DU1055XTSB0, DU1055XTSQ0, DU1055XTST0, DU1055XTSS0  
(Black) (White) (Biscuit) (Stainless)



| <u>Illus. No.</u> | <u>Part No.</u> | <u>DESCRIPTION</u>                                |
|-------------------|-----------------|---|
| 1                 | 8563007         | Heater Element Assembly<br>(Also Includes Item 2) |
| 2                 | 717273          | Washer, Heater Element                            |
| 3                 | 8268548         | Nut, Heater Element                               |
| 4                 | 8269262         | Bracket, Heater Support                           |

**NOTE:** If heater element is removed, it must be replaced.

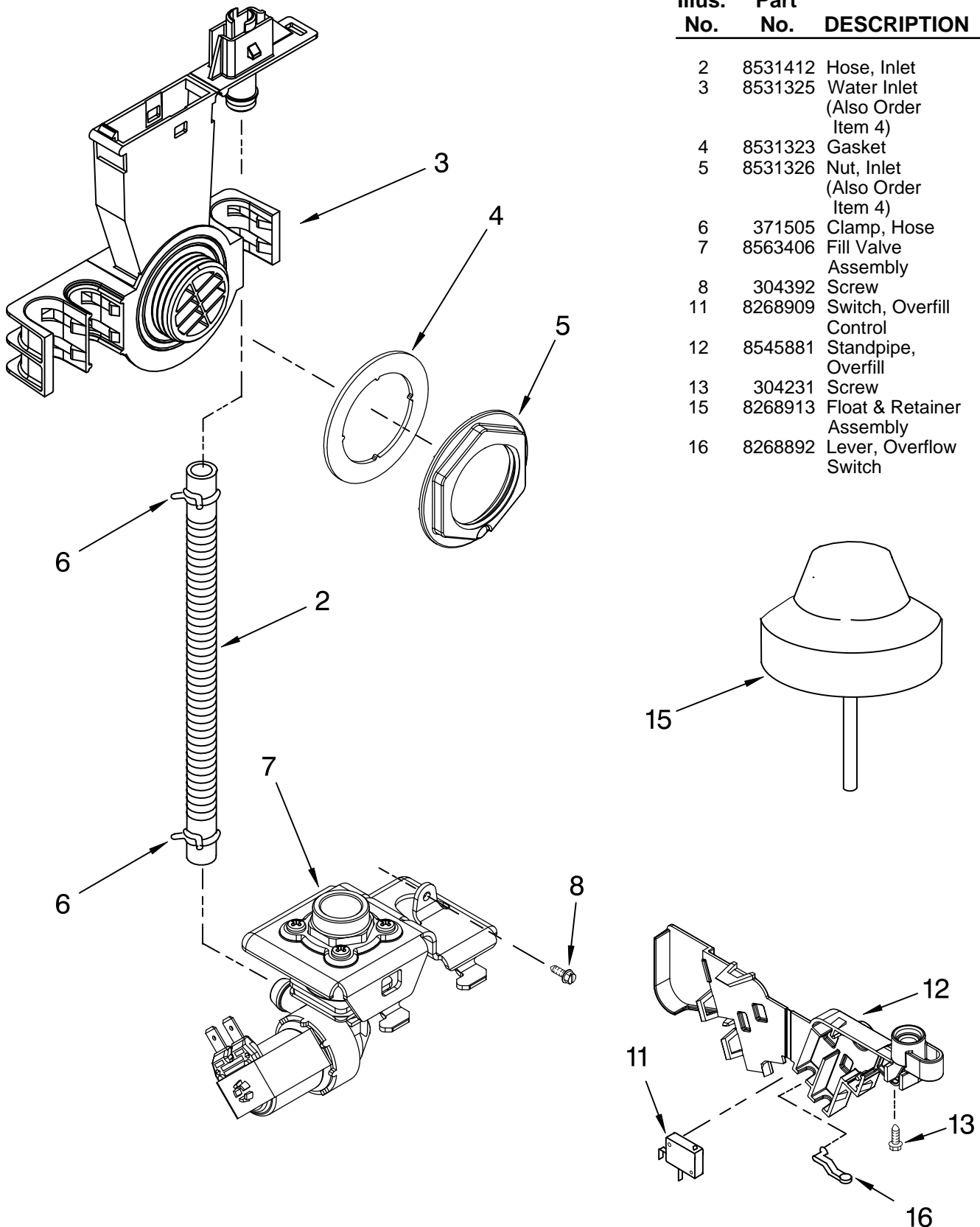
FOR ORDERING INFORMATION REFER TO PARTS PRICE LIST

# FILL AND OVERFILL PARTS

For Models: DU1055XTSB0, DU1055XTSQ0, DU1055XTST0, DU1055XTSS0  
 (Black) (White) (Biscuit) (Stainless)

| Illus. No. | Part No. | DESCRIPTION |
|------------|----------|-------------|
|------------|----------|-------------|

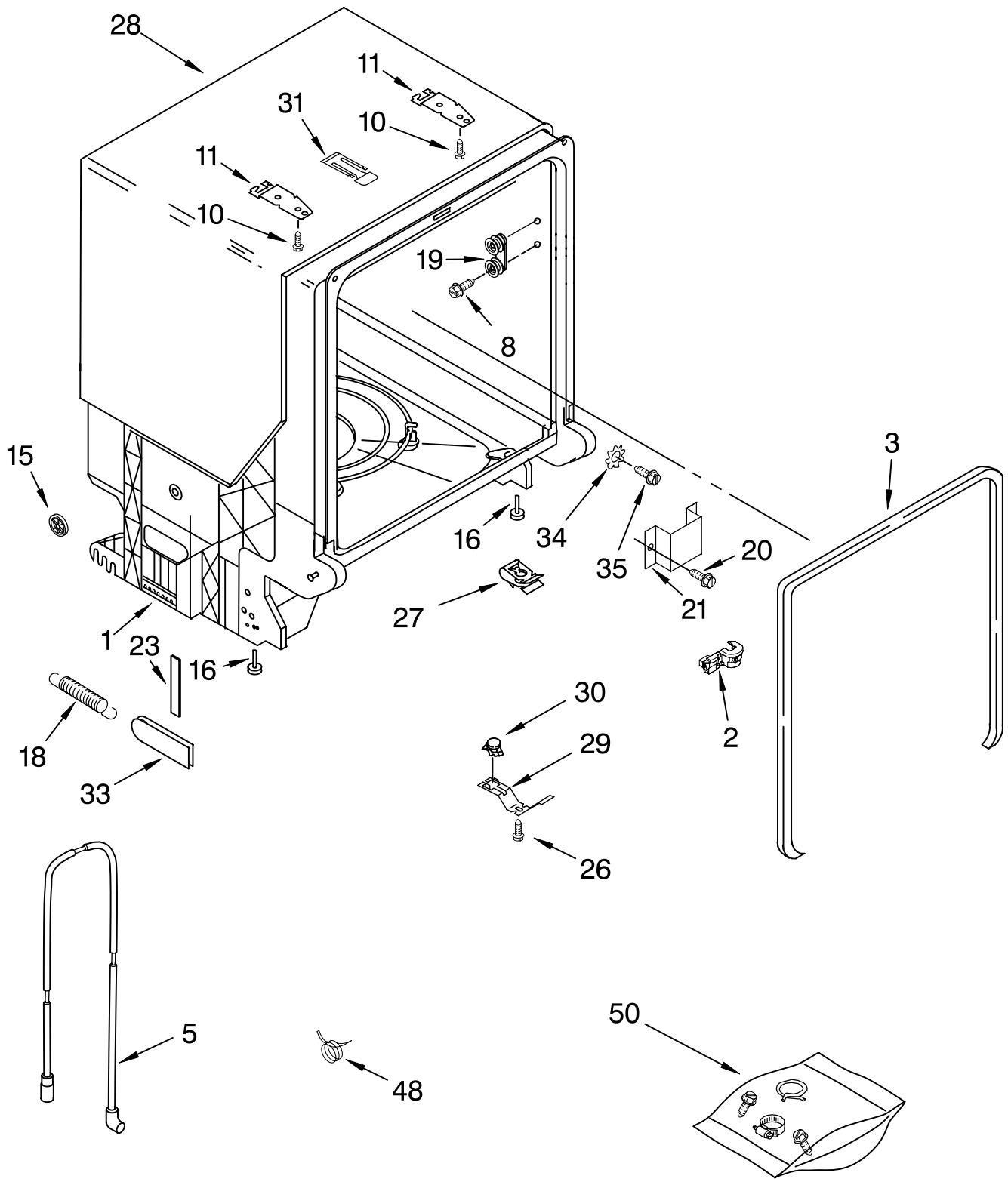
- |    |         |                                    |
|----|---------|------------------------------------|
| 2  | 8531412 | Hose, Inlet                        |
| 3  | 8531325 | Water Inlet<br>(Also Order Item 4) |
| 4  | 8531323 | Gasket                             |
| 5  | 8531326 | Nut, Inlet<br>(Also Order Item 4)  |
| 6  | 371505  | Clamp, Hose                        |
| 7  | 8563406 | Fill Valve Assembly                |
| 8  | 304392  | Screw                              |
| 11 | 8268909 | Switch, Overfill Control           |
| 12 | 8545881 | Standpipe, Overfill                |
| 13 | 304231  | Screw                              |
| 15 | 8268913 | Float & Retainer Assembly          |
| 16 | 8268892 | Lever, Overflow Switch             |



FOR ORDERING INFORMATION REFER TO PARTS PRICE LIST

# TUB AND FRAME PARTS

For Models: DU1055XTSB0, DU1055XTSQ0, DU1055XTST0, DU1055XTSS0  
(Black) (White) (Biscuit) (Stainless)



FOR ORDERING INFORMATION REFER TO PARTS PRICE LIST

# TUB AND FRAME PARTS

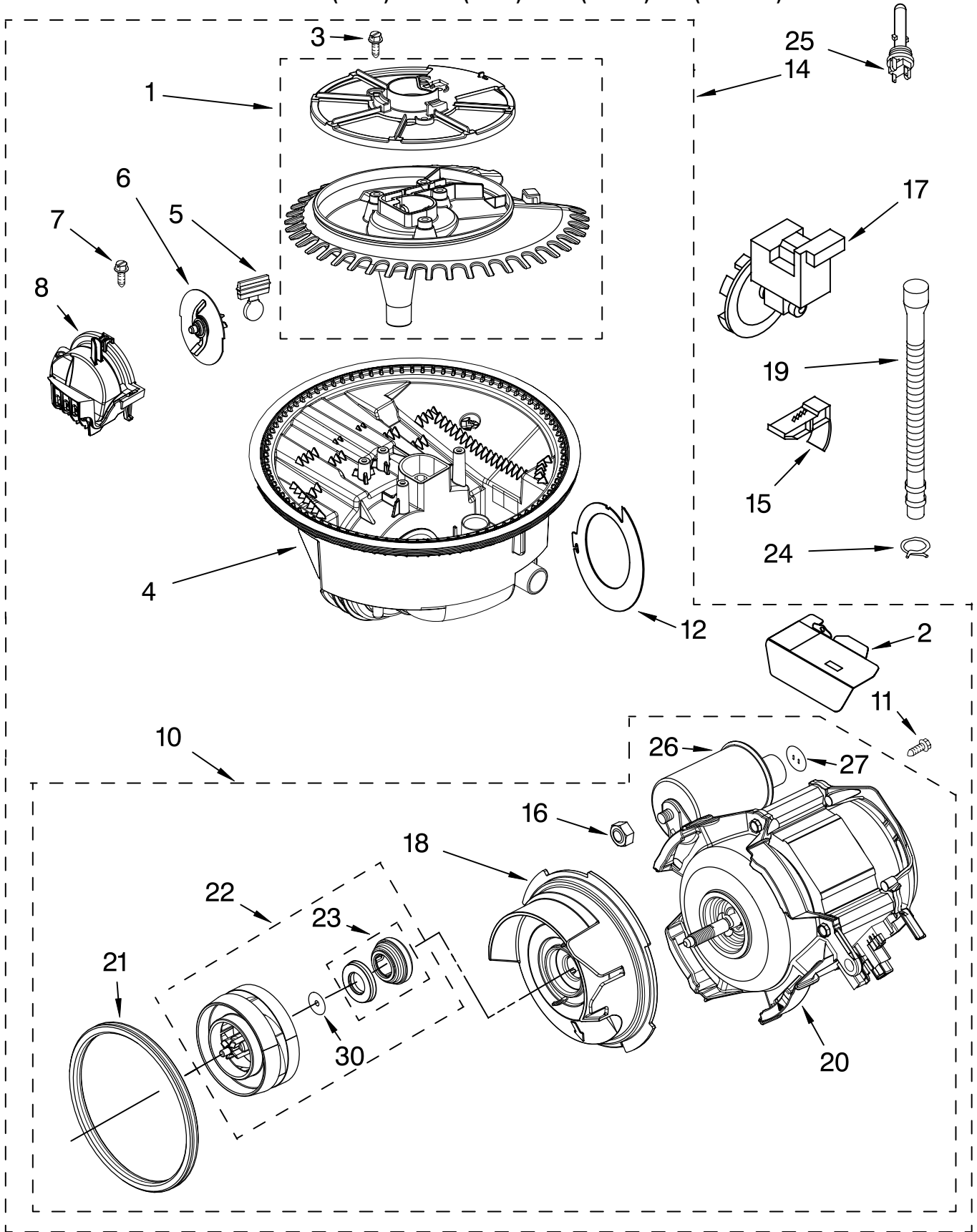
For Models: DU1055XTSB0, DU1055XTSQ0, DU1055XTST0, DU1055XTSS0  
 (Black) (White) (Biscuit) (Stainless)

| <b>Illus. No.</b> | <b>Part No.</b> | <b>DESCRIPTION</b>   |
|-------------------|-----------------|--|
| 1                 | W10008370       | Tub Assembly   |
| 2                 | 8573061         | Strain Relief  |
| 3                 | 8268888         | Door Seal  |
| 5                 | 8531022         | Drain Loop<br>With Check Valve                                       |
| 8                 | 8533836         | Screw (8)  |
| 10                | 3367670         | Screw  |
| 11                | 8269145         | Bracket,<br>Undercounter   |
| 15                | 8269831         | Wheel Leg  |
| 16                | 8524584         | Leveler, Leg   |
| 18                | 8524473         | Spring, Door<br>Balance  |
| 19                | 8270016         | Wheel & Mount<br>Assembly  |
| 20                | 3400892         | Screw  |
| 21                | 8268991         | Cover, Terminal<br>Box   |
| 23                | 8268961         | Pad, Friction  |
| 26                | 304231          | Screw  |
| 27                | 8269016         | Clip, Grounding  |
| 28                | 8573240         | Shield, Sound<br>Tub   |
| 29                | 3378595         | Bracket,<br>Thermostat   |
| 30                | 661566          | Thermostat   |
| 31                | 8580309         | Strike, Latch  |
| 33                | 8268990         | Bushing, Door<br>Spring  |
| 34                | 3378128         | Washer   |
| 35                | 3400014         | Screw  |
| 48                | 356138          | Clamp, Hose (1)  |
| 50                | 8269297         | Miscellaneous<br>Parts Bag<br>(Includes 2 Screws<br>& 2 Hose Clamps) |



# PUMP AND MOTOR PARTS

For Models: DU1055XTSB0, DU1055XTSQ0, DU1055XTST0, DU1055XTSS0  
(Black) (White) (Biscuit) (Stainless)



FOR ORDERING INFORMATION REFER TO PARTS PRICE LIST

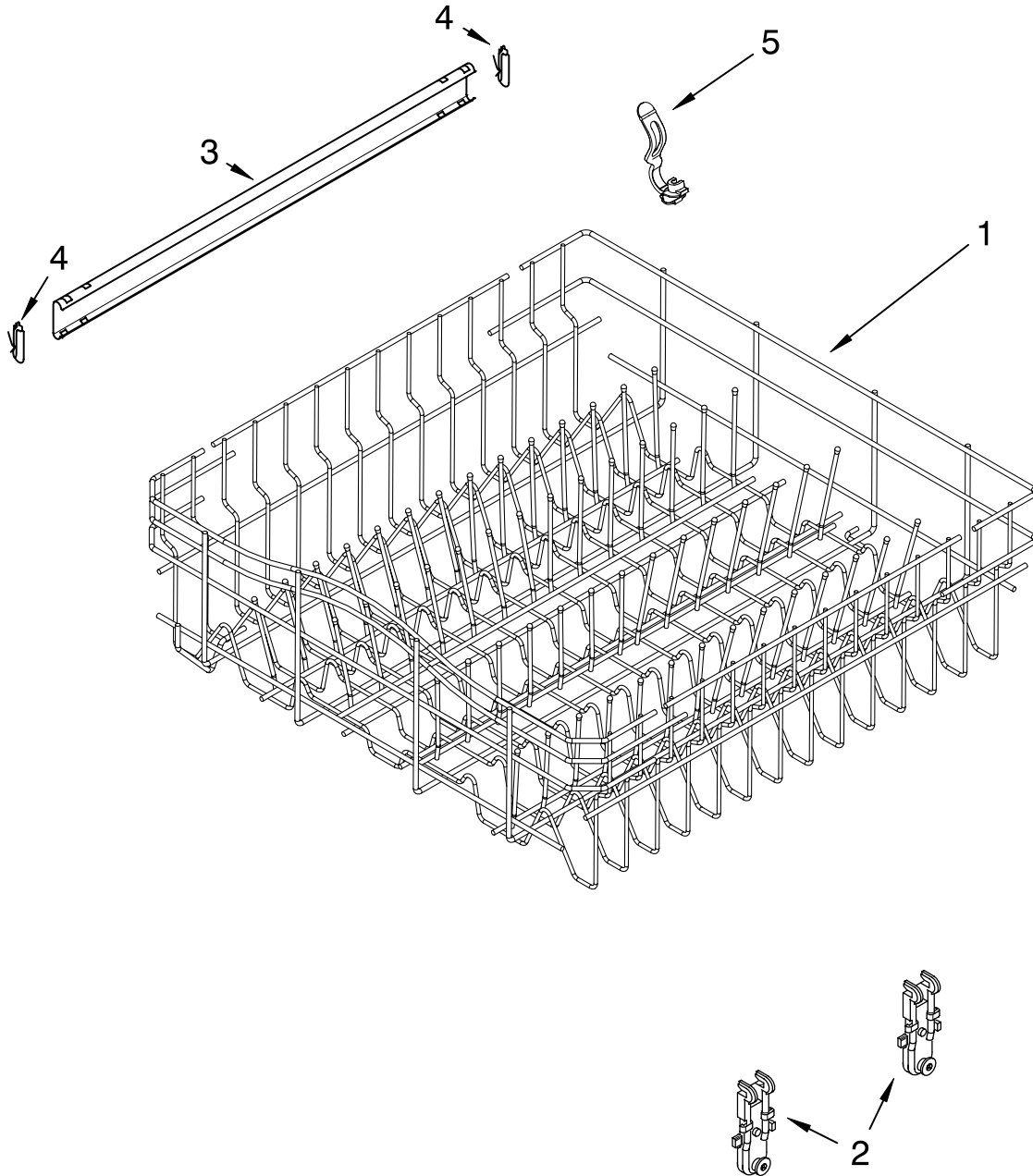
# PUMP AND MOTOR PARTS

For Models: DU1055XTSB0, DU1055XTSQ0, DU1055XTST0, DU1055XTSS0  
 (Black) (White) (Biscuit) (Stainless)

| Illus.<br>No. | Part<br>No. | DESCRIPTION                                   |
|---------------|-------------|---|
| 1             | 8534952     | Accumulator Assy                              |
| 2             | 8283527     | Shield, Motor                                 |
| 3             | 3400069     | Screw   |
| 4             | 8572618     | Sump With Seal                                |
| 5             | 8268375     | Check Valve, Sump                             |
| 6             | 8268383     | Chopper Assembly                              |
| 7             | 9741232     | Screw   |
| 8             | 8531857     | Protector, Inlet                              |
| 10            | 8534942     | Motor Assembly                                |
| 11            | 3400217     | Screw   |
| 12            | 8268391     | Screen, Separation                            |
| 14            | 8572615     | Sump & Motor<br>Assembly                      |
| 15            | 8269524     | Tab, Sump                                     |
| 16            | 8533949     | Nut   |
| 17            | 661662      | Pump, Drain                                   |
| 18            | 8531019     | Volute, Back<br>(Also Order<br>Items 23 & 30) |
| 19            | 8269144     | Hose, Drain                                   |
| 20            | 8534941     | Motor   |
| 21            | 8268397     | Seal, Volute                                  |
| 22            | 8531017     | Impeller Kit<br>(Also Order<br>Item 30)       |
| 23            | 8268403     | Face Seal Assembly<br>(Also Order<br>Item 30) |
| 24            | 356138      | Clamp, Hose                                   |
| 25            | 8535453     | Thermister                                    |
| 26            | 8269507     | Capacitor                                     |
| 27            | 8534946     | Shield,<br>Capacitor                          |
| 30            | 8531018     | Washer  |

# UPPER RACK AND TRACK PARTS

For Models: DU1055XTSB0, DU1055XTSQ0, DU1055XTST0, DU1055XTSS0  
(Black) (White) (Biscuit) (Stainless)



FOR ORDERING INFORMATION REFER TO PARTS PRICE LIST

# UPPER RACK AND TRACK PARTS

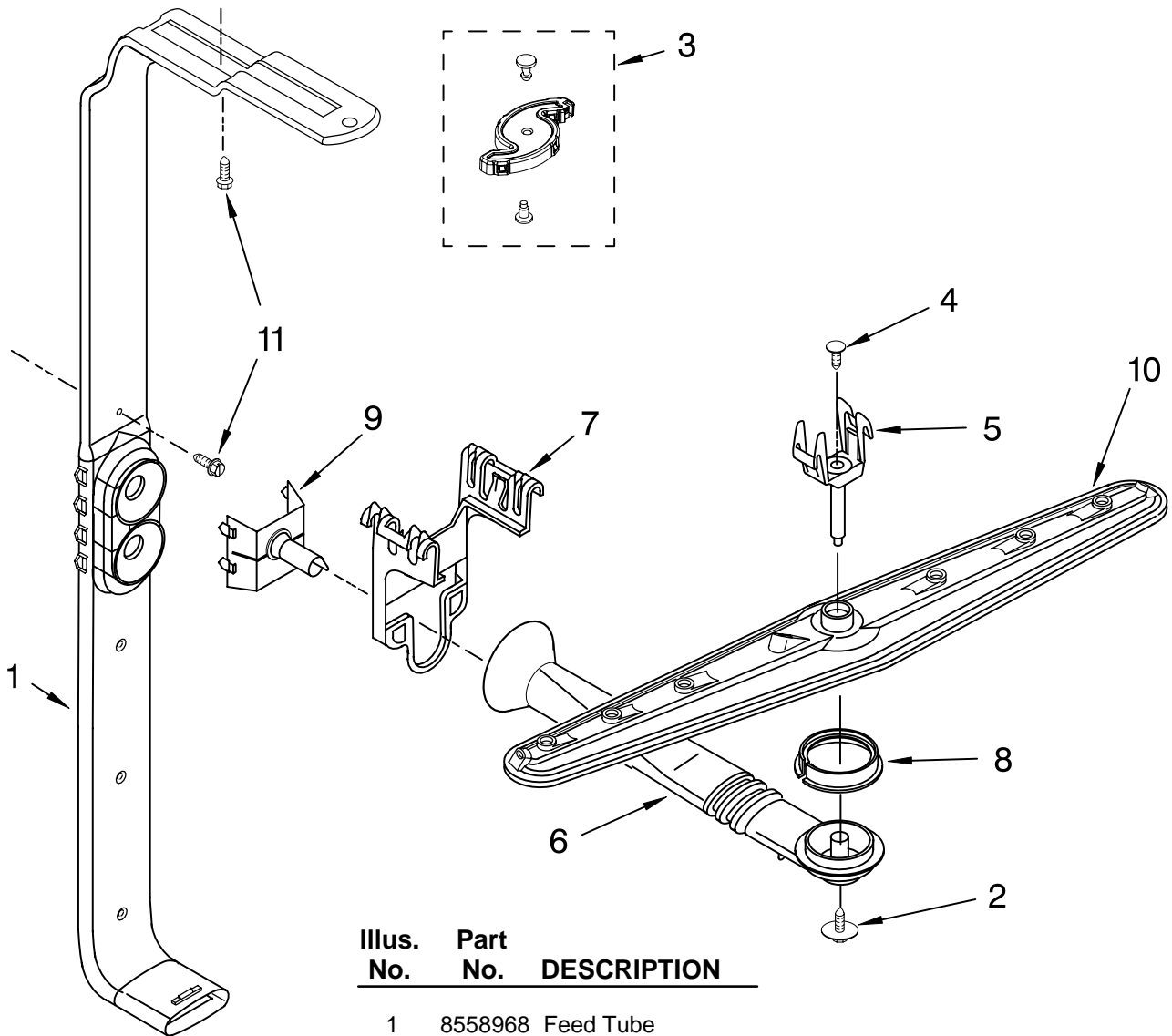
For Models: DU1055XTSB0, DU1055XTSQ0, DU1055XTST0, DU1055XTSS0  
(Black) (White) (Biscuit) (Stainless)

| <b>Illus.</b> | <b>Part</b> |                    |
|---------------|-------------|--------------------|
| <b>No.</b>    | <b>No.</b>  | <b>DESCRIPTION</b> |
| 1             | 8539214     | Dishrack, Upper    |
| 2             | 8268655     | Mount, Wheel       |
| 3             | 3385089     | Track, Rack        |
| 4             | 8565920     | Stop Track         |
| 5             | 8539113     | Clip, No-Flip      |

FOR ORDERING INFORMATION REFER TO PARTS PRICE LIST

# UPPER WASH AND RINSE PARTS

For Models: DU1055XTSB0, DU1055XTSQ0, DU1055XTST0, DU1055XTSS0  
 (Black) (White) (Biscuit) (Stainless)

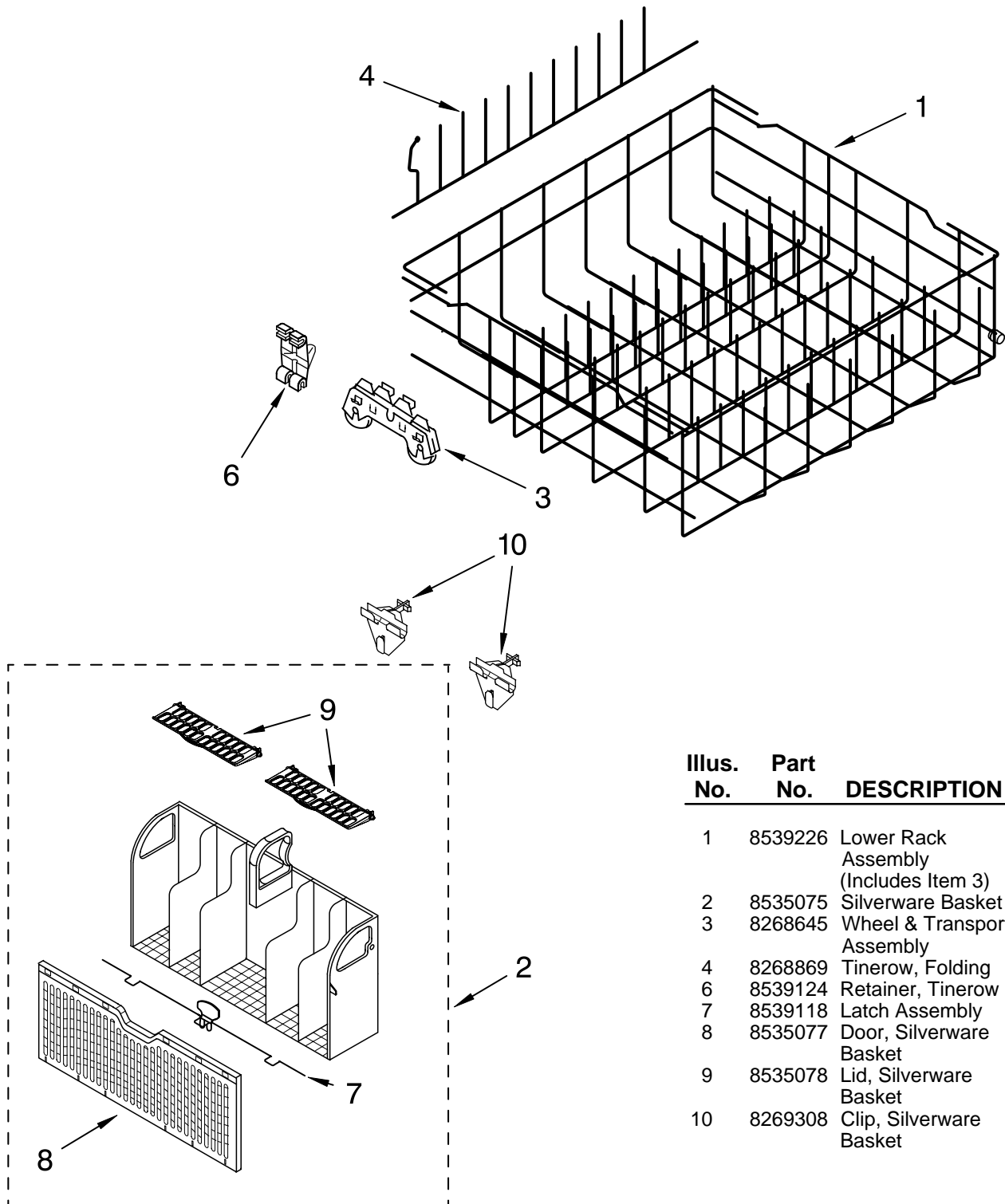


| Illus. No. | Part No. | DESCRIPTION                                       |
|------------|----------|---|
| 1          | 8558968  | Feed Tube Assembly<br>(Also Includes Items 3 & 9) |
| 2          | 8533889  | Screw   |
| 3          | 8557720  | Spinner, 3rd Level Wash                           |
| 4          | 3400919  | Cover, Screw                                      |
| 5          | 8268321  | Mount   |
| 6          | 8268326  | Manifold  |
| 7          | 8268325  | Holder, Feed Tube                                 |
| 8          | 8268433  | Seal, Sprayarm                                    |
| 9          | 8268293  | Nozzle  |
| 10         | 8269024  | Sprayarm  |
| 11         | 3400850  | Screw   |

FOR ORDERING INFORMATION REFER TO PARTS PRICE LIST

# LOWER RACK PARTS

For Models: DU1055XTSB0, DU1055XTSQ0, DU1055XTST0, DU1055XTSS0  
 (Black) (White) (Biscuit) (Stainless)



| Illus. No. | Part No. | DESCRIPTION                              |
|------------|----------|--|
| 1          | 8539226  | Lower Rack Assembly<br>(Includes Item 3) |
| 2          | 8535075  | Silverware Basket                        |
| 3          | 8268645  | Wheel & Transport Assembly               |
| 4          | 8268869  | Tinerow, Folding                         |
| 6          | 8539124  | Retainer, Tinerow                        |
| 7          | 8539118  | Latch Assembly                           |
| 8          | 8535077  | Door, Silverware Basket                  |
| 9          | 8535078  | Lid, Silverware Basket                   |
| 10         | 8269308  | Clip, Silverware Basket                  |

FOR ORDERING INFORMATION REFER TO PARTS PRICE LIST

# OPTIONAL PARTS (NOT INCLUDED)

For Models: DU1055XTSB0, DU1055XTSQ0, DU1055XTST0, DU1055XTSS0  
 (Black) (White) (Biscuit) (Stainless)

| Illus. No.                | Part No. | DESCRIPTION             | Illus. No.                             | Part No. | DESCRIPTION    | Illus. No.                    | Part No. | DESCRIPTION            |
|---------------------------|----------|-------------------------|--|----------|----------------|-------------------------------|----------|------------------------|
| <b><u>ACCESSORIES</u></b> |          |                         | <b><u>PAINT, TOUCH-UP (1/2oz.)</u></b> |          |                | <b><u>POWER CORD KIT</u></b>  |          |                        |
|                           |          | Side Panel Kits         |  |          |                |                               |          |                        |
|                           | 8171656  | White                   |  | 72017    | White          |                               | 4317824  | Power Cord Kit         |
|                           | 8171657  | Black                   |  | 72032    | Black          |                               |          | (Includes Power        |
|                           | 8171658  | Biscuit                 |  | 4392899  | Biscuit        |                               |          | Cord & Misc.           |
|                           | 8171659  | Stainless Steel         |  | 4396603  | Meteorite      |                               |          | Hardware)              |
|                           |          | Custom Panel & Trim Kit | <b><u>PAINT, PRESSURIZED SPRAY</u></b> |          |                | <b><u>ANTI-TIP KIT</u></b>    |          |                        |
|                           | 4396196  | Black                   | <b><u>(12 oz.)</u></b>                 |          |                |                               |          |                        |
|                           | 4396197  | White                   |  | 350930   | White          |                               | 4396194  | Floor Mount Kit        |
|                           | 4396198  | Biscuit                 |  | 285006   | Superior Black | <b><u>DISHRACK REPAIR</u></b> |          |                        |
|                           |          | Moisture Barrier Kit    |  | 4392901  | Biscuit        |                               |          | Tip Tine Repair Kit    |
|                           | 4396277  | Kit                     | <b><u>PAINT, BULK (1 qt.)</u></b>      |          |                |                               |          | (Enough for Two        |
|                           |          | Drain Hose              |  |          |                |                               |          | Complete Dishracks)    |
|                           | 3385556  | 12 Ft.                  |  | 799344   | White (Uncut)  |                               | 4396838  | White                  |
|                           |          |                         |  | 4392900  | Biscuit        |                               | 4396840  | Grey                   |
|                           |          |                         |  |          |                |                               |          | Vinyl Touch-Up (4 oz.) |
|                           |          |                         |  |          |                |                               | 676453   | White                  |
|                           |          |                         |  |          |                |                               | 676455   | Grey                   |

FOR ORDERING INFORMATION REFER TO PARTS PRICE LIST