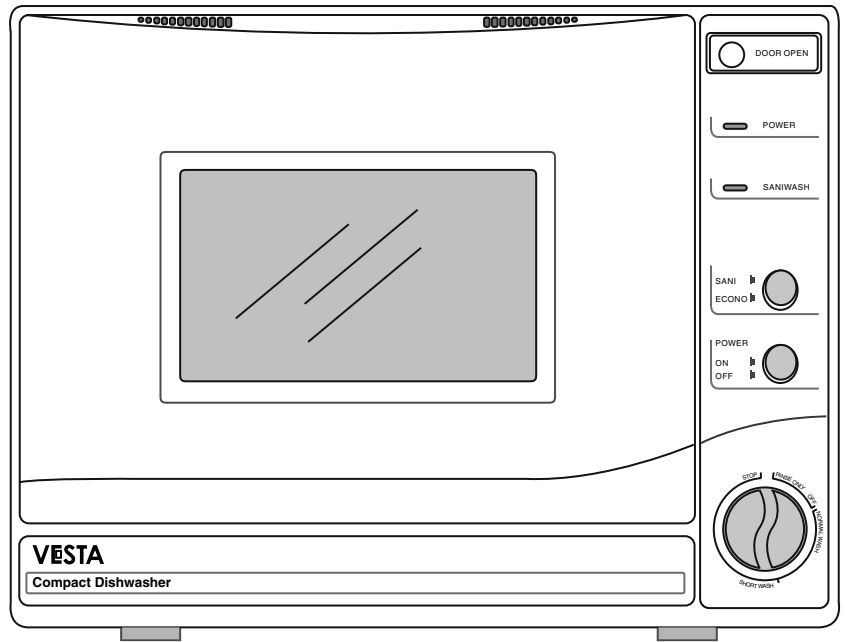


VESTA™
DWV303

VESTA™ DWV303B
Automatic Compact
Dishwasher



Installation
Instructions and
Use & Care Guide

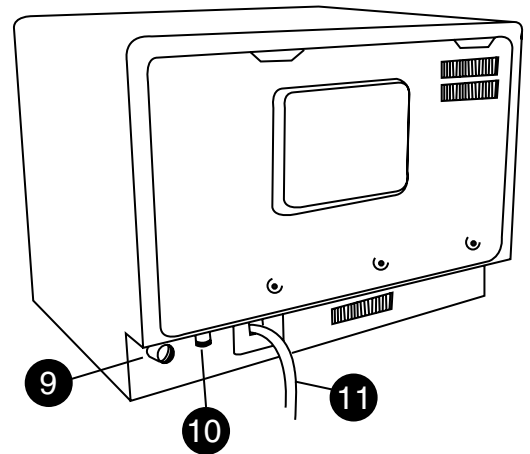
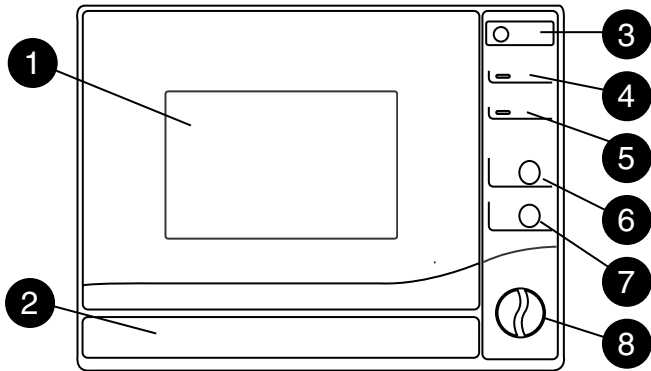
Contents

Unit Parts Identification	1
Important Safety Instructions	2
Installation Instructions	
Installation Requirements	3
Built-in Installation	4
Countertop Installation	5
Disconnecting Your Dishwasher	6
Use & Care Guide	
Loading the Dishwasher	7
Using the Right Detergent	7
Using a Rinsing Agent	7
Pre-Rinse, Sani, Econo Features	8
Operating Instructions	9
Program Summary/Selection Chart	9
Troubleshooting	
Common Problems/Solutions Chart	10
If You Need Service	10
Warranty Statement	11



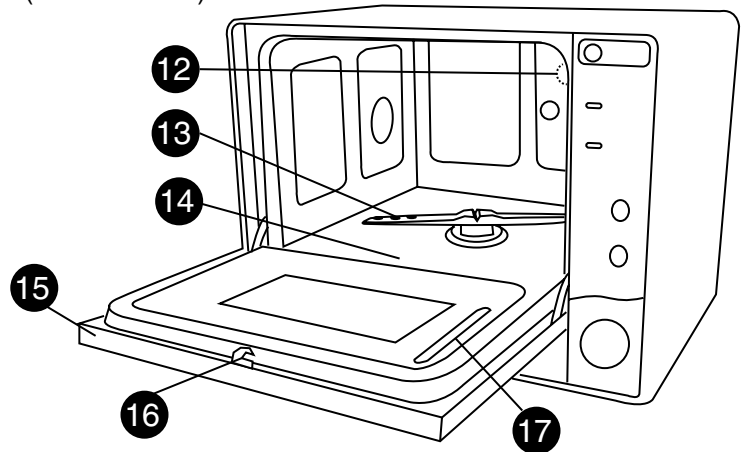
READ ALL INSTRUCTIONS BEFORE USING

UNIT PARTS IDENTIFICATION



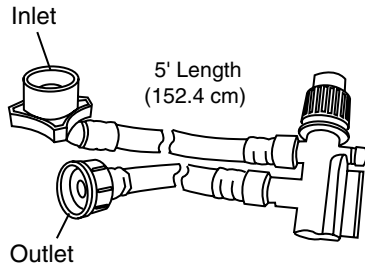
1. WINDOW
2. FRONT PANEL
3. DOOR RELEASE BUTTON
4. LED (POWER)
5. LED (SANIWASH)
6. SANIWASH/ECONO BUTTON
7. POWER (ON/OFF) BUTTON
8. PROGRAM/TIMER SELECTOR
9. WATER INLET CONNECTION
10. DRAIN HOSE CONNECTION
11. POWER CORD - 6' Length (182.8 cm)
12. RINSE AGENT DISPENSER
13. SPRAY ARM
14. FILTER
15. DOOR ASSEMBLY
16. DOOR LATCH MECHANISM
17. DETERGENT (INDENT) LOCATION

18. DISH RACK (NOT SHOWN)
19. SILVERWARE BASKET (NOT SHOWN)
20. RINSE AGENT MEASURING CONTAINER (NOT SHOWN)



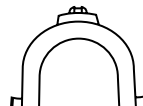
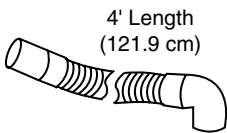
COUNTERTOP HOSE KIT (Part# DWVCTHK)

QUICK-CONNECT FAUCET ADAPTER



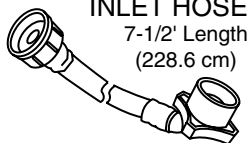
BUILT-IN HOSE KIT (Part# DWVBIHK)

OUTLET HOSE



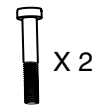
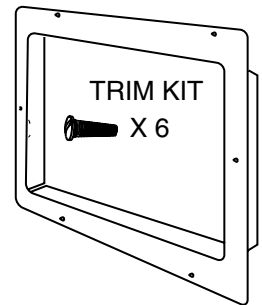
OUTLET HOSE HANGER

INLET HOSE





OUTLET HOSE CLAMP

BUILT-IN TRIM KIT (Part# DWVTKBL)



INSTALLATION BLOCK

IMPORTANT SAFETY INSTRUCTIONS

 **WARNING** 

When using your dishwasher, follow basic safety precautions:



- Read all instructions before using the dishwasher.
- Use the dishwasher only for its intended use.
- Use only detergents or wetting agents recommended for use in a dishwasher and keep them out of reach of children.

When Loading Items To Be Washed:

- Locate sharp items so that they are not likely to damage the door seal.
- Load sharp knives with the handles up to reduce the risk of cut-type injuries.
- Do not load plastic items unless they are marked "Dishwasher Safe" or the equivalent. For plastic items not marked as such, check the manufacturers recommendations.
- Do not load glasses over the dish rack pins. Glasses loaded over dish rack pins are not properly supported and are likely to get damaged.

- Items with wooden or bone handles, or items joined together with glue are unsuitable as they cannot resist hot water.
- Do not touch the heating element during or immediately after use.
- Do not operate your dishwasher unless all enclosure panels are properly in place.
- Do not tamper with controls.
- Do not abuse, sit on, or stand on the open door or dish-rack of the dishwasher. The machine may topple over.
- Protect cables and hoses from high temperatures.
- To reduce the risk of injury, do not allow children to operate or play on the dishwasher.
- When removing an old dishwasher for service or discarding it, remove the door to the washing compartment.
- Under certain conditions, hydrogen gas may be produced in a hot-water system that has not been used for two weeks or more. HYDROGEN GAS IS EXPLOSIVE. If the hot-water system has not been used for such a period, before using the dishwasher, turn on all hot-water faucets and let the water flow from each for several minutes. This will release any accumulated hydrogen gas. As hydrogen gas is flammable, do not smoke or use an open flame during this time.

SAVE THESE INSTRUCTIONS

 **WARNING** 

Instructions pertaining to a risk of fire, electric shock, or injury to persons.

Electrical Instructions:

An electrical supply of 120 volts AC only, 60Hz is required. Make sure that a suitable electrical supply socket is located close to where the dishwasher is to be placed.

Grounding Instructions:

This appliance must be grounded. In the event of malfunction, or breakdown, grounding will reduce the risk of electric shock by providing the path of least resistance for electric current. This appliance is equipped with a cord having an equipment grounding conductor and grounding plug. The plug must be plugged into an appropriate outlet that is properly installed and grounded in accordance with all local codes and ordinances.

INSTALLATION INSTRUCTIONS

INSTALLATION REQUIREMENTS

All Installations

- Remove all packing materials carefully.
- Make sure the electrical power supply is within easy reach of the machine. The power cord is 6 Feet (182.8 cm) long.
- Supply shut-off valves should be easily accessible.
- If the water pipes you will be connecting to are new or unused, run the water until clear to remove any debris that could clog the water valves before connecting the machine.
- The dishwasher must be installed on a 'solid' level surface.

Electrical

- Machine Voltage/Amperage: 120V, 60 Hz, 10.6 Total Amps
- Connection: 3-prong plug with cord provided
- Circuit/Protector: 3-wire single phase, 120V, 60Hz, AC, on a separate 15 Amp circuit.

Water Pressure

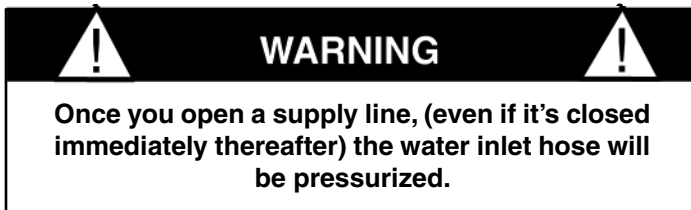
For best operating results, incoming water pressure should be between 10 and 145 psi (.05 and 10 bar). Incoming water supply for the dishwasher is controlled by a 'pressure switch' application, so if available water pressure is low, dishwasher fill time will be longer.

For Best Results

Your dishwasher cleans by spraying a mixture of hot clean water and detergent (under pressure) against the soiled surface of dishes. The water is pumped through a rotating spray arm, drained through a filter (to remove food and soiled particles) and pumped back through the spray arm.

Soiled water is pumped out and replaced with clean water at the end of each cycle (the number of times depends on the cycle being used). For best cleaning results, the water temperature must be at least 130°F (55°C). To prevent dishwasher damage, the temperature of the incoming water supply should not exceed 160°F (71°C).

Note: Hard Water conditions will adversely affect washability performance of your dishwasher. Hard water conditions will also contribute to "Lime" (white film substance) deposits and/or "Scaling" on the stainless steel surface of the dishwasher tub and "Heater Element" located in the sump underneath the removable filter screen. To assist in minimizing these conditions, it is recommended to periodically operate/rinse the inside of the dishwasher (empty) using 1 cup of white vinegar (at least once a week).



INSTALLATION INSTRUCTIONS

BUILT-IN INSTALLATION

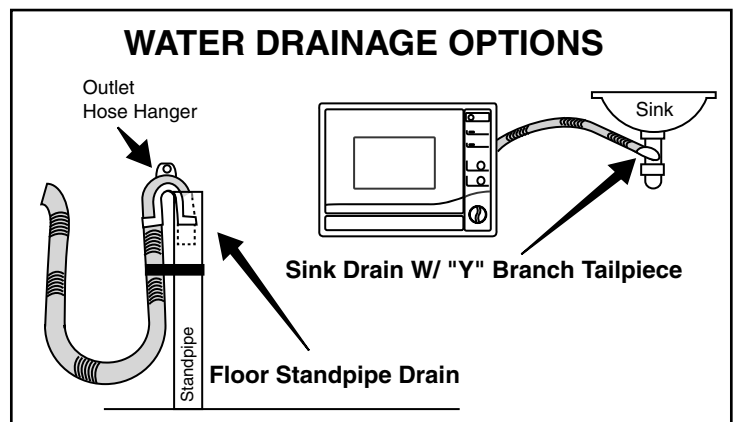
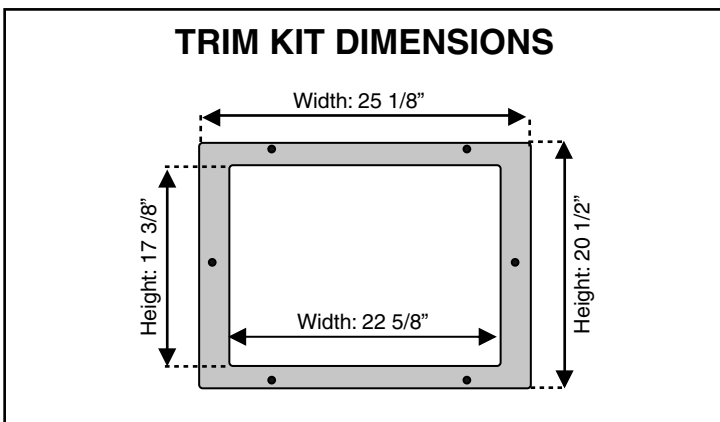
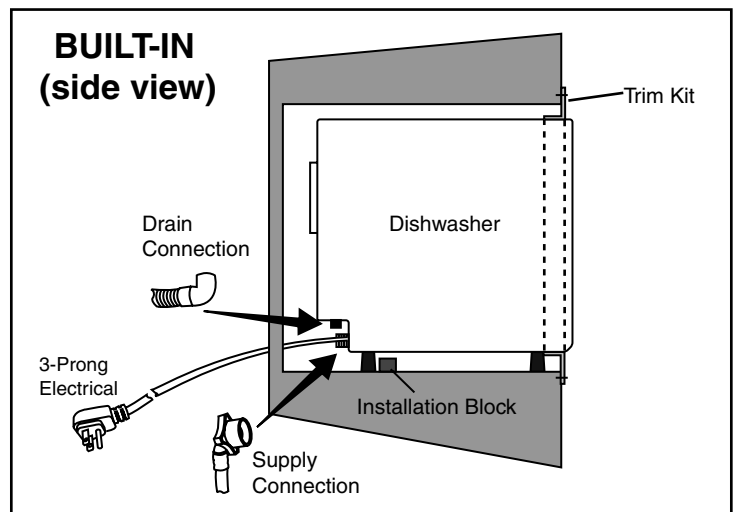
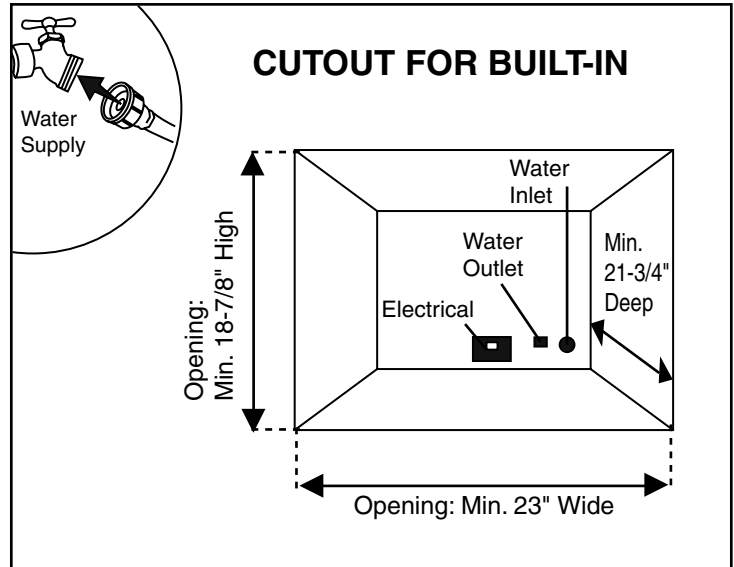
If you specified a built-in installation, your dishwasher came with the Built-In Hose Kit (Part# DWVBIHK) and Built-In Trim Kit (Part# DWVTKBL).

Installation Location

- This dishwasher is approved for built-in installations.
- Air space requirements: Sides=3/16" (.48 cm), Top/Bottom=1-1/8" (2.86 cm), Rear=2" (5.08 cm)
- The water inlet hose from the machine terminates in a 3/4" "female" connector. The water supply should therefore terminate in a similar "male" connector and should have a stopcock close by in the pipe.
- Make sure the HOT water supply faucet connection is within easy reach of the machine. The fill-drain hose assembly is 5 Feet (152.4 cm) long.

Water Drainage

- *Standpipe Drain System:* No point of the drain hose must ever be placed higher than the top of the machine. If this should ever happen, the functioning of the machine can be affected.
- *Sink Drainpipe System:* When routing the drain hose through cabinets or walls, use a protective material such as electrical or duct tape to cover sharp edges that could damage the drain hose. Use a suitable clamp to secure the drain hose to the "Y" branch or disposer. With a sink drainpipe system, you may connect directly: **1)** To a disposer by following the manufacturers attachment method. **2)** directly to a "Y" branch tailpiece (available at most hardware stores).



INSTALLATION INSTRUCTIONS

COUNTERTOP INSTALLATION

If you specified a countertop installation, your dishwasher came with a Quick-Connect Faucet Adapter Kit (Part# DWVCTHK) that includes a fill and drain hose assembly that is compatible with both male (exterior) and female (interior) threaded faucet connections. If your existing faucet adapter is not compatible with the Quick-Connect hose assembly supplied, use the adapter supplied with the Quick Connect Faucet Adapter Kit:

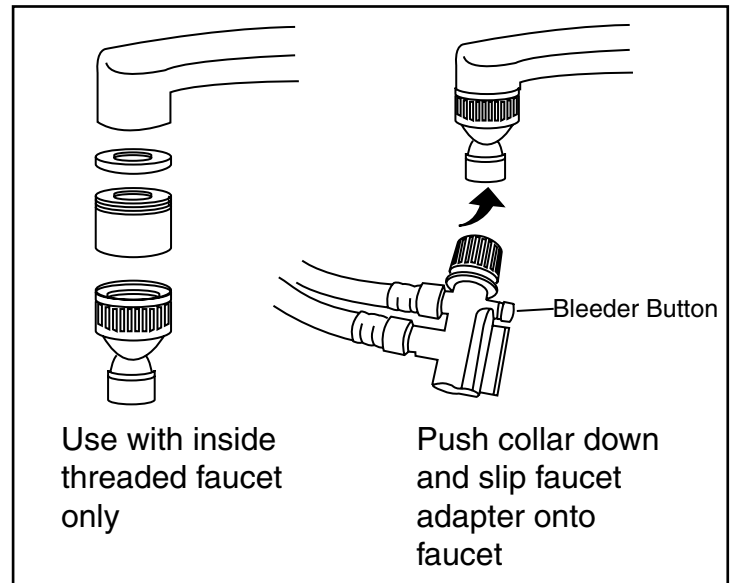
- If your faucet has a “male” type thread connection, remove the second rubber washer and use only the standard washer supplied inside the tap adapter (both 5mm thick).
- If your faucet has a “female” type thread connection, keep the two rubber washers (both 5 mm) installed inside the tap adapter.

Installation Location

The minimum height clearance required to install your dishwasher on a countertop surface with overhead cupboards is 18” (45.7 cm).

Follow These Steps

1. Screw the faucet adapter onto the faucet, then check for leaks. (Use plumbing tape to eliminate leaks if necessary.)
2. Connect the open end of the drain hose to the Drain Hose Connection at the rear of the dishwasher.
3. Connect the water inlet hose to the Water Inlet Connection (Fig. 9) at the rear of the dishwasher.
4. Attach the Quick-Connect Faucet Adapter by pulling down on the outer collar while pushing upwards on the faucet adapter. When the Quick Connect snaps onto the adapter, release the outer collar and it will lock into place. Check for a correct fit.
5. Slowly open the hot water line. Examine all hose connections for water leaks. Immediately close the water supply and repair the hose connections if leaks are found.
6. If you are unable to successfully complete the countertop installation yourself, please call our Service Headquarters toll-free: 1-800-356-0766.



INSTALLATION INSTRUCTIONS

DISCONNECTING YOUR DISHWASHER

When the cycle is complete, always relieve water pressure from the inlet hose:

- Close the HOT water supply at the stopcock.
- Disconnect the Power Supply Cord

For Built-In Installations

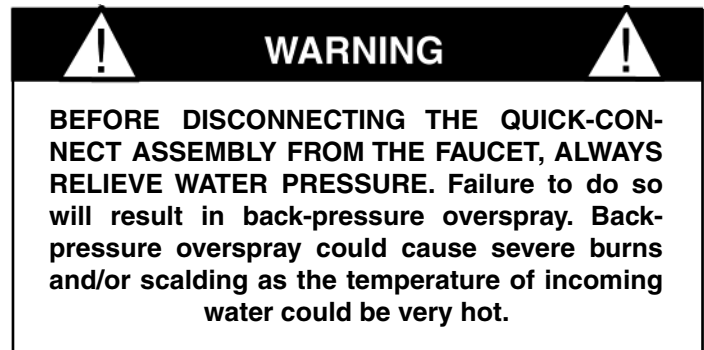
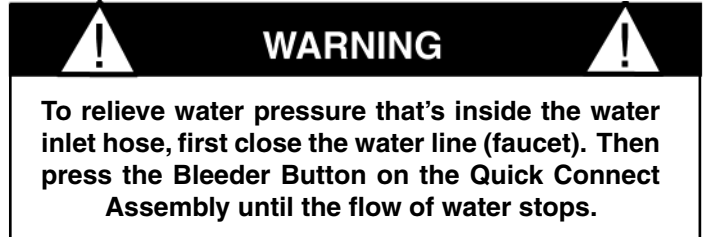
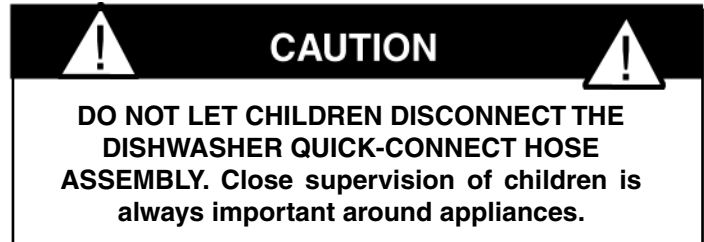
Periodically inspect and replace hoses if bulges, kinks, cuts, wear, or leaks are found. Remove and clean the filters and the water valves. Replace the inlet hose as needed to reduce the risk of hose failure.

For Countertop Installations

Release water pressure from inside the fill hose by pressing the “red” Bleeder Button on the Quick Connect Assembly until the water flow stops. Then, disconnect the Quick Connect Hose Assembly from the faucet by pulling down on the outer collar.

When the dishwasher is not in use, place/store the hose on a hanger hose bracket or similar hanging device.

Appliances that are to be discarded must be made unusable. Before discarding, remove the door to the washing compartment.



USE AND CARE GUIDE

LOADING THE DISHWASHER

The dishwasher is designed to receive a standard “4 piece” plate setting consisting of the following:

- 4 Dinner Plates
- 4 Bread & Butter Plates
- 4 Fruit Bowls
- 4 Cups and Saucers
- 4 Dinner Forks
- 4 Dinner Knives
- 4 Salad Forks
- 4 Teaspoons
- 2 Serving Spoons
- 1 Serving Fork

NOTE: For ease of loading/unloading large size dinner plates from the dish rack it may be necessary to (temporarily) remove the silverware basket. When loading/unloading is complete, return the silverware basket to its original position.

Preparing Your Dishes For Washing

- Scrape off all solid food particles from the dishes.
- Remove excessive quantities of oil or grease.
- Empty any liquids from glasses and cups.
- All dishes should be thoroughly rinsed before being placed inside the dishwasher.
- Arrange all items with recessed or curved sections on a slant to drain water away.
- Cups, pots, glasses etc. should be placed upside down.

NOTE: Dishes with dried-on foods are more difficult to wash and may not come clean in a normal wash cycle.

**IMPORTANT**

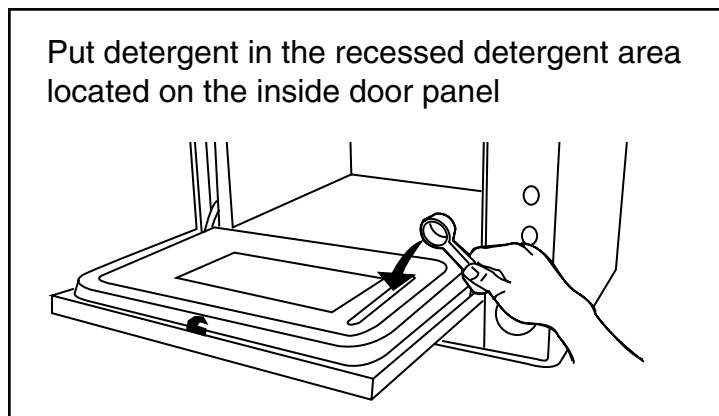
Your dishwasher is not a “waste disposal unit”, clean off large particles of food sediments before placing dishes in your dishwasher.

USING THE RIGHT DETERGENT

Use only detergent specifically made for use in dishwashers, as other types will cause over-sudsing. If your detergent is old and/or lumpy, throw it away. Old detergent loses its washing power. Lumpy detergent won't dissolve. The amount of detergent you use depends if your water is “hard” or “soft”.

The recessed detergent area is located on the inside door panel and will hold approximately 7 grams of detergent.

NOTE: Hard water requires more detergent to get dishes clean. Soft water requires less detergent to get dishes clean.

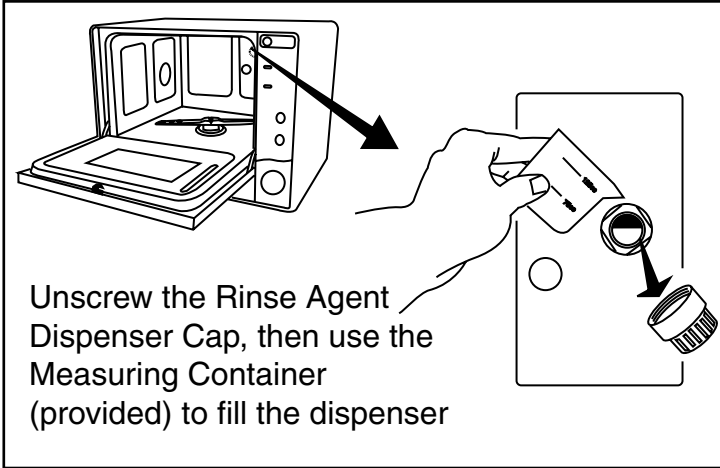


USING A RINSING AGENT

You can help prevent unsightly spots on dishes and glassware and reduce drying time by using a rinse agent. A rinse agent is specially formulated to rinse away food and detergent residues that can be left behind on your dishes. Used regularly, a rinse agent will automatically provide you with cleaner dishes every time you wash.

- First add the rinse agent into the Rinse Agent Measuring Container that came with your dishwasher.
- To fill the rinse agent dispenser, unscrew the dispenser cap located on the inside back wall of the washing tub. Use the Measuring Container to slowly add the rinse agent into the dispenser until it just reaches the bottom of the filling cap inside of the dispenser opening. Replace the cap. The dispenser automatically releases approx. 90 cc of the rinse agent into the final rinse water at the end of the wash cycle.

USE AND CARE GUIDE



PRE-RINSE FEATURE

The “Pre-Rinse” is a convenience feature that allows dishes to be rinsed, if you don’t have a full load ready to be washed. (Preventing food from becoming dried/caked on the dish surface). It is not necessary to add detergent to the dishwasher during the Pre-Rinse cycle. However, due to the short duration of the Pre-Rinse cycle (6 minutes only) make sure the incoming water supply is HOT.

SANI FEATURE

The “Sani” wash feature gives you the option of washing dishes at very high temperatures. When activated, the “Sani” feature activates a heating element that will raise and maintain the internal water temperature of the dishwasher to 151°F (66°C).

To activate this feature, push the “Sani” button on the control panel.

- Push button “in”= the “Sani” feature is activated. (“Saniwash” indicator light remains illuminated during the entire cycle).

ECONO FEATURE

The “Econo” feature gives you the option of washing dishes at “normal” incoming water temperature (usually between 130°F-140°F/54.4°C-60°C). When activated, the “Econo” feature de-activates (by-passes) the heating element.

To activate this feature, push the “Econo” button on the control panel.

- Push button “out”= the “Econo” feature is activated. (“Saniwash” indicator light remains OFF). When the “Econo” feature is activated, drying time for the dishes will be increased.

IMPORTANT

NOTE ABOUT DRYING

The dishes dry by a “convection” method only. To speed-up the drying time, it is suggested to leave the dishwasher door partially open after the program is complete. This will allow humidity from within to escape. Push the “Door Open” button and the door pops open to a pre-set convection drying position.

CAUTION

Water temperatures this high can cause severe burns/scalding. Always exercise extreme care when opening and/or entering the dishwasher during the Sani wash cycle.

USE AND CARE GUIDE

OPERATING INSTRUCTIONS

PROGRAM SUMMARY/SELECTION

PRE-RINSE

Water Temperature:	Incoming Water (Tank Temperature)
Program Duration:	6 Minutes
Water Consumption:	0.84 gal. (3.2 liters)

NORMAL/SANIWASH

Water Temperature:	154°F / 68°C
Program Duration:	35 Minutes
Water Consumption:	3.3 gal. (12.8 liters)

NORMAL/ECONO

Water Temperature:	Incoming Water (Tank Temperature)
Program Duration:	35 Minutes
Water Consumption:	3.3 gal. (12.8 liters)

SHORT/SANIWASH

Water Temperature:	154°F / 68°C
Program Duration:	23 Minutes
Water Consumption:	2.5 gal. (9.6 liters)

SHORT/ECONO

Water Temperature:	Incoming Water (Tank Temperature)
Program Duration:	23 Minutes
Water Consumption:	2.5 gal. (9.6 liters)

NOTE: At the beginning of each cycle, the dishwasher always starts in the “drain” mode. This is because the drain pump always retains a small amount of water (in the sump) from the previous (last) cycle. This is necessary to keep the pump primed. Therefore, don't be alarmed if a small amount of water being pumped out from the drain hose prior to the start of the regular wash cycle. **THIS IS NORMAL.**

To Operate Your Dishwasher

1. Make sure the water inlet and drain hoses are correctly and securely connected.
2. Push the “Door Open” button to open the door.
3. Place the dishes on the Dish Rack and cutlery (unsorted) inside the Silverware Basket.
4. Check to make sure that the rotating spray arm can turn freely all the way around. If necessary, remove any obstacles.
5. Fill the detergent in the recessed area on the door panel (approx. 7 grams).
6. Firmly close the door.
7. Open the hot water supply.
8. Turn the Program Selector switch to the desired wash program. (Pre-Rinse, Normal Wash, or Short Wash).
9. Push the Power On/Off button.
 - Push button “in”= Power ON
 - Push button “out”= Power OFF. The Power Light will illuminate, indicating the machine is receiving power.
10. The dishwasher stops automatically at the end of the program. Both the Power Light and the Saniwash Light will remain illuminated until the Power ON/OFF button is switched OFF. **NOTE: The dishwasher is designed to stop if the door is opened accidentally during operation.**
11. When the cycle is complete, always relieve pressure on the inlet hose by following the instructions on page 7.
12. After washing, dishes should be allowed to cool down for approx. 15 minutes so they are not too hot to handle. Dishes will cool quicker if door is slightly open.
13. After unloading the dishwasher, remove the Filter, clean off any bits of food, and put the Filter back in it's position.

TROUBLESHOOTING COMMON PROBLEMS & SOLUTIONS

PROBLEM	POSSIBLE CAUSE	SOLUTION
Dishwasher will not start	<ul style="list-style-type: none"> - Dishwasher not receiving electrical power. - Door is unlatched - Dishwasher not level 	<ul style="list-style-type: none"> - Check electrical connection fuse/circuit breaker - Close and latch door - Make sure dishwasher is installed 'solid' level surface
Dishes not clean	<ul style="list-style-type: none"> - Improper loading - Spray arm not rotating freely - Not enough detergent and/ or improper detergent being used. - Improperly prepared dishes - Water inlet hose kinked/bent due to improper installation 	<ul style="list-style-type: none"> - Arrange dishes so spray action reaches all surfaces. - Do not overload dishwasher - Make sure nothing (i.e. cutlery) is obstructing spray arm rotation - Make sure filter screen has not become dislodged and is not obstructing spray arm rotation - Use more dishwasher detergent - Do not use detergent that is hard or caked - Use only a recommended dishwasher detergent. - Excess food soil and liquids should be removed from dishes before loading. - Eliminate kink or bend from inlet hose
Chipping or breaking glassware	<ul style="list-style-type: none"> - Improper loading of dishes 	<ul style="list-style-type: none"> - Do not overload dish rack. Load glasses on the upper rack only, not over dish rack pins. Glasses loaded over dish rack pins are not properly supported and subject to damage.
Water remains in bottom	<ul style="list-style-type: none"> - A small amount of water (in sump area) is normal. - Excessive amount of water; Cycle not completed 	<ul style="list-style-type: none"> - This is necessary to keep the pump primed and is drained automatically at the beginning of each cycle. - Allow dishwasher to complete full cycle.

IF YOU NEED SERVICE

This Vesta™ appliance comes with a Limited Warranty (please read the Limited Warranty Statement that came with your dishwasher for complete details.) You'll find many answers to common problems in the Troubleshooting section of this manual. If you read this section first, you may not need to call for service at all.

- If you do need service, you can relax knowing that help is only a phone call away. Call our Technical Service and Assistance Department toll-free at **1-800-356-0766** Monday-Friday (8:00AM-5:00PM Pacific Time).
- Please have the model number and serial number of your dishwasher ready when you call.

WARRANTY STATEMENT

VESTA LIMITED WARRANTY

This VESTA Dishwasher (Part# DWV303B) is warranted for one year from the date of purchase on MECHANICAL PARTS ONLY, when installed and operated in accordance with the instructions in the manual. If the machine fails to operate due to any defects in material or workmanship it will be repaired at no cost to you at Westland Sales. Parts will be supplied at no cost during the warranty period for field repairs by your installer or any authorized repair center. This warranty does not apply to installation costs. This warranty applies to the dishwasher being used for private/family use ONLY. This warranty does not cover water damage of any kind. Only repairs that are attributed to normal failure of the electronic and mechanical functions of the product are covered. Failure due to, but not limited to, abuse, negligence, impact, fire, lightning, power failures and/or surges, rust, corrosion and water supply failures are not covered. Damage and/or repair to cabinets and all exterior components including, but not limited to knobs, exterior wiring, doors, hinges, and gaskets are not covered.

Any representation of this warranty other than the terms herein is not binding on Westland Sales or its agents, nor shall they be liable for any incidental, or consequential, damages. This warranty gives you specific rights, and you may also have other rights that vary from state to state. All service questions can be answered by contacting Westland Sales directly. ALWAYS CALL WESTLAND SALES BEFORE REPAIRING OR SHIPPING THIS DISHWASHER TO AVOID COSTLY REPAIRS DUE TO SIMPLE ADJUSTMENTS.

IMPORTANT RETURN INSTRUCTIONS

Your warranty depends on your following these instructions

In accordance with this Warranty, for the first twelve months from date of purchase, Westland Sales will repair the unit at no cost if it is defective in material or workmanship providing it is returned to Westland Sales, freight prepaid, with PROOF OF PURCHASE (Pack well and ship via Insured UPS).

1. CALL WESTLAND SALES AND RECEIVE AUTHORIZATION FOR THE RETURN.
2. Carefully pack the item in its original carton or other suitable box to avoid damage in shipping.
3. Before packing your unit for return; be sure to enclose:
 - a) your name, full address with zip code and telephone number,
 - b) a dated sales receipt or PROOF OF PURCHASE,
 - c) The model number of the unit and the problem you are having. (Enclose in an envelope and tape directly to the unit before the box is sealed.
4. Westland sales recommends you insure the package (as damage in shipment is not covered by your warranty).
5. All shipping charges must be prepaid by you.

WESTLAND SALES
15650 SE 102nd Avenue, Clackamas, OR 97015

1-800-356-0766

LOCAL: 503-655-2563

VESTA™

Vesta DWV303
Automatic Compact Dishwasher

Westland Sales Corporate Headquarters : Clackamas, OR
Westland Sales Elkhart Operations: Elkhart, IN
Phone: 503-655-2563 Toll-Free: 800-356-0766
www.westlandsales.com

© 2003 Westland Sales