

---

**Lavastoviglie**  
**Lave-vaisselle**  
**Dishwasher**  
**Geschirrspüler**  
**Afwasautomaat**  
**Lavavajillas**  
**Máquina de lavar-loiça**

**Istruzioni per l'installazione e l'uso**  
**Instructions pour l'installation et l'emploi**  
**Instructions for installation and use**  
**Informationen für Installation und Gebrauch**  
**Instructies voor installatie en gebruik**  
**Instrucciones para la instalación y el uso**  
**Instruções de utilização**

---

# Installation

<b>Contents</b>	<b>Installation</b> .....	<b>43</b>
	Unpacking your Dishwasher .....	43
	Positioning the Dishwasher .....	43
	Levelling the Dishwasher .....	43
	Connecting the cold water .....	43
	Connecting the hot water .....	44
	Connecting the drain pipe .....	44
	Electrical connection .....	45
	 <b>View of the dishwasher</b> .....	 <b>46</b>
	 <b>Guide to the programme section</b> .....	 <b>49</b>
	 <b>Instructions for using the machine:</b> .....	 <b>50</b>
	Using the top basket .....	50
	Using the bottom basket .....	51
	Loading the detergent .....	52
	Regenerating the water softener .....	53
	Using the rinse liquid for rinse cycles .....	54
	 <b>Your first wash</b> .....	 <b>56</b>
	Starting your dishwasher .....	56
	Switching OFF your dishwasher .....	56
	Removing the crockery .....	56
	 <b>Cleaning and Maintenance</b> .....	 <b>57</b>
	Cleaning your Dishwasher .....	57
	Cleaning the filtering unit .....	57
	If the dishwasher is not to be used for a long period of time .....	58
	Trouble shooting .....	58
	 <b>Recommendations</b> .....	 <b>60</b>
	 <b>Technical Characteristics</b> .....	 <b>61</b>

This appliance complies with the provisions of the community regulation EEC 89/336 dated 3.5.87 on the prevention and elimination of radio interference.

## Unpacking your Dishwasher

Remove the outer carton, the reinforcement corner pieces and the plastic bag. Remove the screws and rotate the feet to remove the wood board under the appliance. Open the door of the dishwasher and remove the parts which fix the baskets.

## Positioning the Dishwasher

Place the machine into position. The machine can be fitted with the sides or the back against the adjacent cabinet or against the wall. The water supply and drain pipes of the dishwasher can be fitted on the right or on the left according to installation requirements.

## Levelling the Dishwasher

Position the machine and adjust the height if necessary with the feet so that the machine is horizontal and perfectly level. This is important to ensure that your dishwasher operates properly.

**If the unit is installed on a carpeted floor it is important that the opening of the lower parts of the machine are not obstructed by the carpet.**

## Connecting the cold water

Connect the supply pipe to a cold water tap with 3/4 gas thread fitting. Remember to install the filter supplied with the dishwasher and to tighten this firmly to the tap. (See Fig. 1)

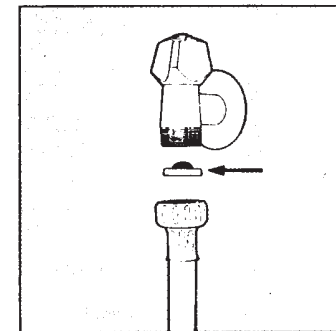


Fig. 1

# Installation

If the water piping is new or has not been used for a long period of time, allow the water to run until it is clear and free from all impurities before making the connection. This prevents the water supply inlet from plugging and damaging the machine.

## Connecting the hot water

The machine can be connected to the hot water mains (central heating system) as long as the temperature is not more than 60°C. In the case of higher temperatures, the wash cycle will be reduced by about 15 minutes and give slightly less efficient washing results. To connect the hot water follow the steps described for the cold water connection.

## Connecting the drain pipe

Fit the drain hose into a drain pipe with a diameter of at least 4 cm, or place in a sink. Check that there are no bends or kinks in the hose. The free end must be at height of between 32 and 80 cm and must not be immersed in water. (See Fig. 2)

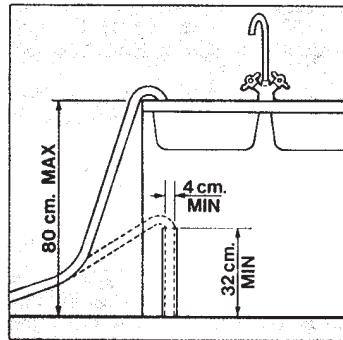


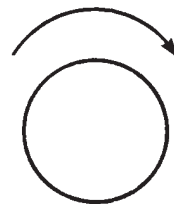
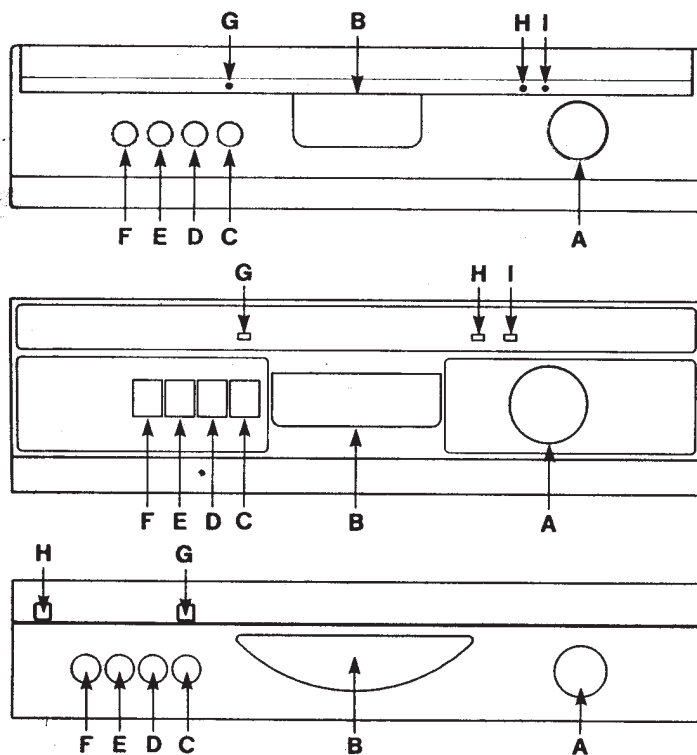
Fig. 2

## Electrical connection

Check that the voltage and mains frequency correspond to those indicated on the data plate on the back of the machine and that the electric system to which the machine is to be connected is compatible with the maximum voltage indicated on the data plate. Now plug the machines into a mains socket with an efficient earthing connection (the system is required to have an earthing connection for safety reasons by law). If the mains socket to which the machine is to be connected is different to the plug, replace this with suitable plug. Do not use adaptors or shunts since these can cause overheating or burning.

# View of the dishwasher

- A Wash programme dial
- B Built-in door handle
- C ON/OFF button
- D **RAPID** button
- E 55°C button
- F **SUPER** button
- G ON/OFF LED
- H No salt LED (only on some models)
- I No rinse liquid LED (only on some models)



**A**  
Turn the dial in clockwise direction to select the wash programme you prefer.

**B**  
Put your hand into the recessed handle and pull the door forwards.

**ON-OFF**








**C**  
ON/OFF button. For supplying electrical power to the dishwasher.

**RAPID**



**D**  
Button for excluding the final drying cycle; used for programme 3; washes up to 4 table covers in 22'.

# View of the dishwasher

	<p><b>E</b> Button for reducing the wash temperature of the strong programme to 55°C. When combined with the delicate programme (3) it increases the wash temperature to 55°C.</p>
	<p><b>F</b> Super wash push button: This is inserted into programme 2 and allows for a prewash with a temperature of 55°C and an added rinse.</p>
	<p><b>G</b> Power LED. The LED in ON when button «C» is pressed and OFF when button «C» is not pressed.</p>
	<p><b>H</b> No salt LED.</p>
	<p><b>I</b> The indicator light shows if the machine needs any polish.</p>

## Guide to the programme section

(Models without «super» pushbutton)

Programme to press	Name	Operations	Detergent	Type of cutlery and degree of dirtiness
1	Prewash	Cold prewash.	—	Pots and crockery, before a wash programme.
2	Super wash	Hot prewash cycle. Wash cycle at 65°C. 2 cold water rinse cycles. Rinse cycle at 67°C. Drying cycle with hot air.	10 g 15g	Pans and dishes that are very dirty or have dried on dirt.
2	Normal wash 65°C (IEC 436)	Cold prewash cycle. Wash cycle at 65°C. 2 cold water rinse cycles. Rinse cycle at 67°C. Drying cycle with hot air.	20 g	Normally soiled crockery pots. 8 table covers.
2	Normal wash 55°C	Cold prewash cycle. Wash cycle at 55°C. 2 cold rinse cycles. Rinse cycle at 67°C. Drying cycle.	20 g	Not very dirty dishes, not dried on dirt. 8 table covers.
3	Rinse cycle	2 cold rinse cycles. Rinse cycle at 67°C. Drying cycle with hot air.	—	Cycle for rinsing and drying clean or dusty crockery. 8 table covers.
4	Delicate wash	Wash cycle at 55°C. Cold rinse cycle. Rinse cycle at 67°C. Drying cycle.	15g	Slightly soiled crockery washed immediately after use.
4	Economic wash	Short wash at 45°C. Cold rinse cycle. Rinse cycle at 67°C. Drying cycle.	15g	Slightly soiled crockery washed immediately after use. Max 4 table covers.
4	Short wash	Short wash at 45°C. 2 cold rinse cycles.	15g	Slightly soiled crockery washed immediately after use. Max 4 table covers.
R	Regeneration	Resin regeneration cycle.	—	Machine empty. Resin regeneration. Cycle to be used when the machine is new and when the machine has not been used for a long period of time.

Programme to press	Name	Operations	Detergent	Type of cutlery and degree of dirtiness
1	Prewash	Cold prewash.	—	Pots and crockery, before a wash programme.
2	Normal wash 65°C (IEC 436)	Cold prewash cycle. Wash cycle at 65°C. 2 cold water rinse cycles. Rinse cycle at 67°C. Drying cycle with hot air.	20 g	Normally soiled crockery pots. 8 table covers.
2	Normal wash 55°C	Cold prewash cycle. Wash cycle at 55°C. 2 cold rinse cycles. Rinse cycle at 67°C. Drying cycle.	20 g	Not very dirty dishes, not dried on dirt. 8 table covers.
3	Rinse cycle	2 cold rinse cycles. Rinse cycle at 67°C. Drying cycle with hot air.	—	Cycle for rinsing and drying clean or dusty crockery. 8 table covers.
4	Delicate wash	Wash cycle at 55°C. Cold rinse cycle. Rinse cycle at 67°C. Drying cycle.	15 g	Slightly soiled crockery washed immediately after use.
4	Economic wash	Short wash at 45°C. Cold rinse cycle. Rinse cycle at 67°C. Drying cycle.	15 g	Slightly soiled crockery washed immediately after use. Max 4 table covers.
4	Short wash	Short wash at 45°C. 2 cold rinse cycles.	15 g	Slightly soiled crockery washed immediately after use. Max 4 table covers.
R	Regeneration	Resin regeneration cycle.	—	Machine empty. Resin regeneration. Cycle to be used when the machine is new and when the machine has not been used for a long period of time.

# Instructions for using the machine:

## Opening the dishwasher

Put your hand in the the recessed handle and pull the door forwards.

## Loading the crockery

Your dishwasher holds up to 8 tables covers, including the serving dishes.  
Before loading your crockery, remove large pieces of left over food to prevent these from plugging the filter. Very soiled pots and pans should be allowed to soak in water before placing in the dishwasher so that any food sticking to the bottom and sides comes away more easily. Load pots and pans in the bottom basket.

## Using the top basket

The top basket has two positions for loading different sizes of crockery. To adjust the height, pull the top basket out completely, remove the clip on the right hand side, slide off the steel runner by pushing it to the back, fit the other pair of wheels into the runner and pull forwards, finally replace the clip. Check that the wheels of the basket slide freely on the runners.

Use the top basket only for small of medium sized crockery such as glasses, saucers, coffee and tea cups, shallow dishes and other light heat-resistant plastic items. Slightly soiled plates may also be washed when the top basket is in bottom position.

Plates should beand side, slide off the steel runner by pushing it to the back, fit the other pair of wheels into the runner and pull forwardse dishwasher several times, your personal experience will help you find the best way to load your crockery in order to obtain the best washing results.

Cups and glasses can be loaded on the left of the basket on two levels. To do so, lift the top grid. Plates and saucers can be arranged at the centre and to the far right, by fitting vertically into the clips.

Several loading arrangements for the top basket are

illustrated in the diagrams (See Fig. 3 Fig. 4)

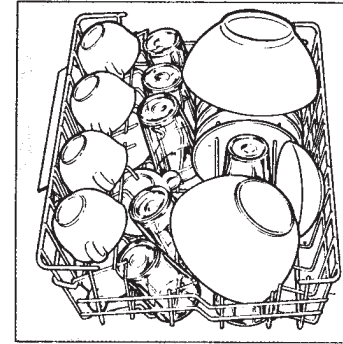


Fig. 3

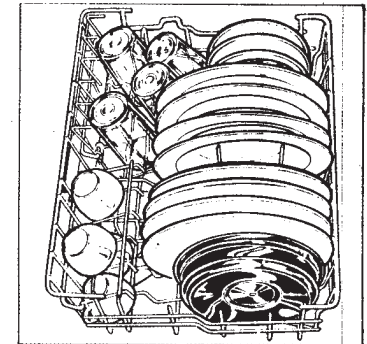


Fig. 4

## Using the bottom basket

The bottom basket may also be removed to the end of the runner by opening the dishwasher door completely. The bottom basket has only one fixed position.

Soup plates, plates and dessert plates, pans, lids, pots and trays as well as cutlery may be loaded in the bottom basket. Glasses and heat-resistant plastic items can not be loaded in the bottom basket.

The plates must be arranged facing forwards or towards the centre, while containers with bowl must be turned down. Your experience will again help you to find the best way to load your crockery.

The removable insert is at the front fitted sideways. Slide the cutlery loose into the insert leaving enough space between the knives, spoons and forks to ensure thorough washing. The basket is divided into 2 parts.

Several loading arrangements for the bottom basket are

# Instructions for using the machine:

illustrated in the diagrams. (See Fig. 5 Fig. 6)

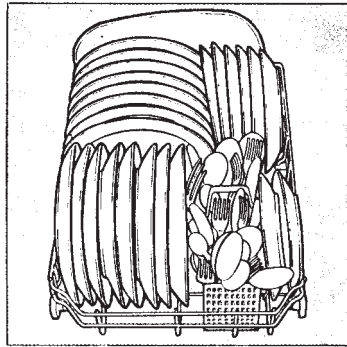


Fig. 5

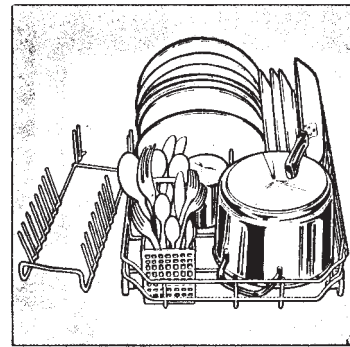


Fig. 6

## Loading the detergent

The detergent dispenser and the rinse liquid container are inside the door. The detergent dispenser is on the left and the rinse liquid container is on the right.

Fill the dispenser with detergent before each wash. The rinse liquid must be used only as necessary (see chapter on "Using rinse liquid for rinsing").

Press the button to open the detergent dispenser. The lid is a snap fit. Add the detergent using the special spoon and close the dispenser (See Fig. 7A).

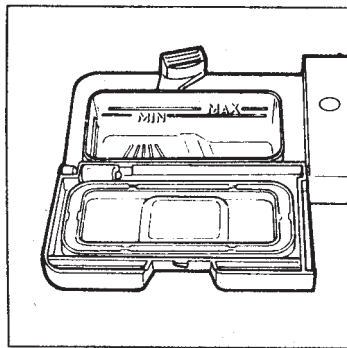


Fig. 7A

**Do not use too much detergent to prevent the formation of suds, bad washing results and pollution.**  
The dispenser opens automatically during the wash cycle and the detergent is added to the water.

## Regenerating the water softener

Your dishwasher is fitted with an automatic water softener which removes hardening substances from the water. Hard water leaves white marks on dry crockery and in time your crockery becomes dull.

Place the **salt** for regenerating the system into the container at the bottom of the machine. The LED on the facia lights up to warn you that more salt must be added. Use only special regenerating salt for dishwashers.

Unscrew the container lid by rotating in anti-clockwise direction, fill the container with salt using the funnel supplied with the dishwasher. (See Fig. 8)

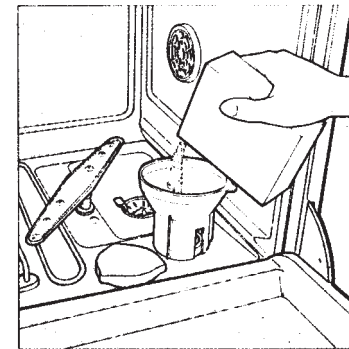


Fig. 8

It is normal for water to flow out while you are loading the salt.

Before replacing the lid, remove any residues of salt from the mouth of the container.

# Instructions for using the machine:

Fill the salt container before carrying out a wash cycle, so that the salt solution which has escaped is removed immediately by the water.

**Before starting the dishwasher pour water into the salt container and run a regeneration cycle (programme table)**

The dishwasher automatically adjusts the quantity according to the hardness of the mains water. To adjust this, rotate the projecting part inside the water softener 90°. The detergent container spoon may be used to carry out this operation. Recommended settings:

Water hardness in French degrees	Setting
0 - 15°dF	No salt required The LED remains ON
15 - 40°dF	Medium setting
40 - 60°dF	Maximum setting

N.B. the machine is factory set to maximum.

## Using the rinse liquid for rinse cycles

The rinse liquid container for the rinse cycles is inside the door next to the detergent dispenser.

Remove the container cap, or the lid, pour in the rinse liquid checking the rinse liquid level indicator between the detergent dispenser and the rinse liquid container (See Fig. 9).

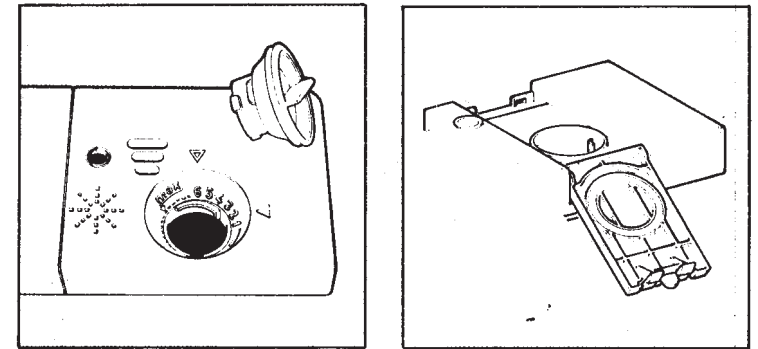


Fig. 9

Rinse liquid level indicator for rinse cycles:

- empty container
- full container

The rinse liquid container holds about 100 cm<sup>3</sup> of liquid. Replace the cap, or the lid, when you have poured the rinse liquid into the container.

The rinse liquid is added automatically to the water during the last rinse cycle; it facilitates drying and prevents the formation of marks and limestone deposits on your crockery.

To adjust the dosage, rotate the plug in the container to the position required: the dosages correspond to the numbers indicated. The dosage should be increased when your crockery is dull or has round stains. If the crockery is sticky or has whitish lines, reduce the amount of rinse liquid used. The machine is factory set at minimum dosage.



## Your first wash

### Starting your dishwasher

Before starting your dishwasher load the crockery, fill the detergent dispenser and close door. Remember to check that the water tap is open and that you have added the salt.

To set the dishwasher, pull the programme dial out. Set the dial to the programme selected. Press the On/Off button to start the wash programme.

If you have set the wrong programme, press the On/Off button to stop the dishwasher. Select the right programme. Start the dishwasher by pressing the On/Off button.

The programme dial may either remain out or pressed in during the wash cycle.

### Switching OFF your dishwasher

Simply press the On/Off button. Do not interrupt a wash cycle when this is running.

### Removing the crockery

The strong cycle lasts about 70 minutes. Wait about 15 minutes after the end of the programme before unloading the dishwasher to ensure that your crockery is perfectly dry and not too hot to handle.

First empty the bottom basket: any drops of water that may still be on the top basket would otherwise fall onto the crockery in the bottom basket.

## Cleaning and Maintenance

### Cleaning your Dishwasher

Clean the cabinet and inner door of your dishwasher regularly using a soft damp cloth. Never use abrasive detergents or acids. Clean the door gasket with a damp sponge. Always unplug the dishwasher from the mains.

### Cleaning the filtering unit

Check the filtering unit after each wash and clean away any residues. To remove the filter unit rotate in the direction indicated by the arrows and pull up (See Fig. 10). The filters snap into place. Generally it is sufficient to clean the micro-filter mesh thoroughly and to wash the other filters under running water (See Fig. 11 - 12).

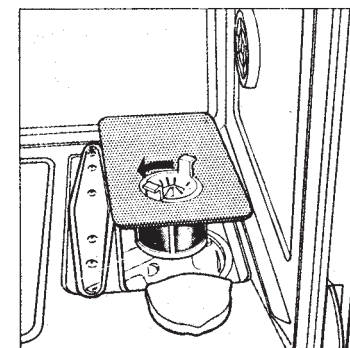


Fig. 10

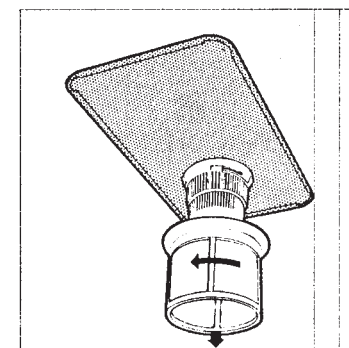


Fig. 11

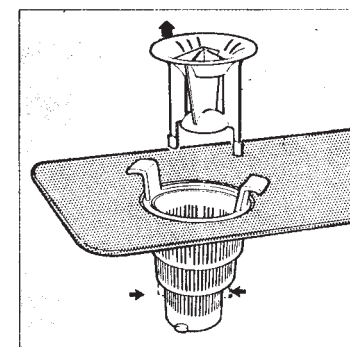


Fig. 12

# Cleaning and Maintenance

---

Replace the filter unit making sure that it returns into the correct position.

Cleaning frequency depends on the type of filter and degree of dirtiness of the crockery.

- there has not been a power failure
- the water tap is open
- the door is closed firmly
- the filter in the supply hose is not plugged
- the drain hose is not bent

If after checking the above your dishwasher is still not working, call your Servicing Centre.

---

**If the dishwasher is not to be used for a long period of time**

remember to take the following precautions:

- carry out two consecutive pre-rinse cycles
- unplug the machine from the mains
- leave the door ajar to prevent the formation of bad odours
- fill the rinse liquid container for the rinse cycle
- close the water tap

Before using the dishwasher again remember to:

- plug the machine to the mains
- open the water tap and allow the water to run for several minutes to ensure that the mains piping is clear
- connect the supply hose and open the water tap

---

**Trouble shooting**

If your crockery is not clean after the wash cycle, check that:

- you have used the correct wash programme
- the detergent dispenser is open
- you have arranged the crockery correctly
- you have used the correct amount of detergent
- the rotating arms are moving freely
- the water tap is open
- the nozzles of the rotating arms are clear
- the filter in the supply hose is not plugged
- the water mains pressure is correct
- there is salt in the water softener

If your dishwasher is not operating, check that

- the machine is plugged correctly into the mains and that fuses are efficient

# Recommendations

---

**Here are some recommendations regarding your crockery.** Any type of crockery normally used in the home may be washed in this appliance. In some cases however check their characteristics. Before washing new crockery check that this can be washed in a dishwasher.

---

**Cups, dishes and plates with bowl** do not dry properly since the water collects in the bowl, where it can not evaporate quickly enough.

---

**In the case of decorated crockery** the colours under or in the enamelling are resistant to mechanical washing.

---

**Colours on the enamelling** are today produced to offer good resistance to mechanical washing for a normal duration. Delicate colours however inevitably fade when washed frequently.

To test the colour resistance of a dinner service we suggest washing one or two pieces at a time in the dishwasher for about 4 weeks (perhaps using a piece which is slightly damaged).

---

**Anodized aluminium items** may loose their colour

---

**Silver cutlery** may stain when in direct contact with food containing sulphur (eggs, vegetables). These stains can be removed with silverware cleaning products.

---

**Hand made items** can rarely be washed in your dishwasher. The relatively high temperature of the water and the detergent may damage these items.

---

**Wooden objects** like cutting boards etc. can not be washed mechanically since they deform and crack.

---

**Old knives** with the blade glued to the handle must not be washed in the dishwasher since the glues used are not heat resistant.

---

**Plastic crockery** which is not heat resistant may deform. Heat resistant plastic crockery must be washed only in the top basket.

---

**Glass and crystal** may in general be washed in your dishwasher. Some types of glass must not however be washed mechanically since it tends to gradually become opaque. We therefore recommend washing delicate glasses with the "delicate programme" which reduces the risk of damaging them.

## Technical Characteristics

Width	cm. 45
Depth	cm. 60
Height	cm. 85
Capacity	8 standard covers
Water input pressure	1-9 bar
Power Supply	see table of specifications
Total input	see table of specifications
Fuses	see table of specifications