

Dishwasher

Instructions for installation and use

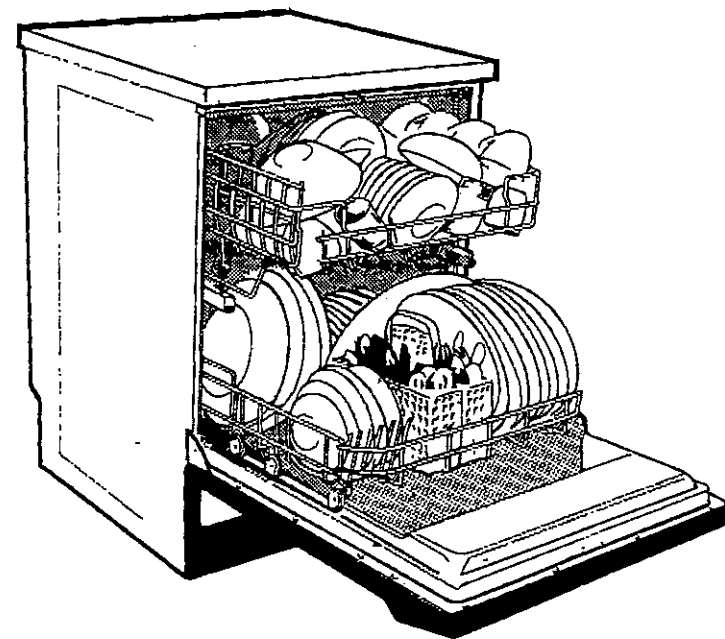


TABLE OF CONTENTS

Warning.....	Page 20
Installation.....	Page 22
Description of the dishwasher.....	Page 24
Water softener.....	Page 25
Detergent and polisher distributor.....	Page 26
Adjusting sprayer pressure..	Page 27
Loading dishes.....	Page 27
To save energy.....	Page 28
The first wash.....	Page 29
Program table.....	Page 30
Cleaning and upkeep.....	Page 32
How to eliminate small problems.....	Page 33
Customer Service.....	Page 34
Advice.....	Page 34
Technical characteristics....	Page 35

TO SAFEGUARD THE ENVIRONMENT

Packing warning

Make sure the recyclable packing material is delivered to the nearest collection centre.

CAUTION

Before using your appliance read the instructions contained in this handbook carefully.

They will give you important indications about installing and using the machine.

Carefully preserve this handbook also in case you sell the machine.

The manufacturer declines all responsibility if the following warnings are not observed.

- 1) Do not use equipment damaged by transport, if in doubt call the dealer.
- 2) Packing elements (plastic bags, polystyrene, wood, etc.) must not be left within reach of children as they could be a source of danger.
- 3) The appliance should be installed and connected up by professionally qualified personnel and in compliance with the instructions supplied by the manufacturer.
- 4) Utilise the appliance only for domestic uses and for the purpose for which it was designed.
- 5) Do not touch and do not operate the machine barefoot or with your hands wet.

6) Do not leave the dishwasher exposed to the elements (rain, sunshine, etc.).

7) Only specialised personnel are authorised to carry out repairs on the appliance.

8) In the event of maintenance or if your dishwasher is not working properly, disconnect it from the electric mains. Unplug it or cut off the electric current from the meter. Never remove the plug by pulling on the cable. Shut off the water tap.

9) An appliance out of order must be made unserviceable. It is important to cut the power supply cable after removing the plug from the socket. You are recommended to make parts of the machine harmless such as locks, doors, etc. that could be a hazard, especially for children who could play with them. Then deliver it to an authorised demolisher.

10) Keep children away from detergents and also from the open dishwasher. There may be deposits of detergent remaining inside it.

11) The water remaining in the machine or in the dishes at the end of a wash cycle must not be drunk.

12) Do not introduce solvents into the dishwasher tank such as alcohol or turpentine as they could cause an explosion.

13) MODELS WITH WATER-STOP

The supply tube, fitted with a resin container, connected to the water intake, contains a solenoid valve.

Do not cut the tube and do not let the box fall into water. If the inlet tube gets damaged, disconnect the appliance from the mains.

14) Leaning or sitting on the open door of the dishwasher may cause it to tip.

15) Plastic dishes must not be placed over the heating element. They could melt.

16) You must not touch the heating element during and immediately after the end of a wash cycle.

17) It is forbidden for children or incapable persons to play with or use the dishwasher.

18) Wash in the machine only dishes and cutlery suitable for washing in dishwashers.

19) Knives and cutlery get a better wash when placed in the basket with their handles downwards. However, to avoid getting cut with the tips or blades you can place them with their handles upwards.

INSTALLATION

Unpacking

Remove the outside carton, the corner supports, and the plastic bag.

Remove the wooden platform the machine stands on by undoing the screws. Screw on the levelling feet.

Open the dishwasher door and remove the parts fixing the baskets.

Positioning

Place the machine in the desired position.

The back or sides of the machine may be in direct contact with walls or furniture.

The dishwasher is fitted with pipes to supply and drain off the water and they may be directed to the right or left to make for a better installation.

Levelling

Once the dishwasher has been placed in position, if necessary adjust its height and level it by screwing the feet up or down to make it horizontal.

Proper levelling will ensure the dishwasher functions correctly.

If the unit is installed on a carpeted floor it is important that the opening of the lower parts of the machine are not obstructed by the carpet.

Connecting to Cold Water

Connect the inlet pipe to a cold water intake with a 3/4 gas threaded mouth, inserting the filter supplied with the dishwasher in between and taking care to screw it firmly onto the tap (see Fig.1).

If the water piping is new or has not been used for a long period allow water to run through until limpid and clean before making the connection.

Failure to do so may result in clogging which could damage the dishwasher.

Connecting to Hot Water

Hot water from a mains (central heating system, radiators) not exceeding a temperature of 60°C may be used.

In this case, washing time will be some 15 minutes shorter and washing efficiency slightly reduced.

Connection must be made at the hot water intake following the same instructions given for connection to cold water.

Connecting to the Drainage Pipe

Fit the drainage pipe into a drain with a minimum diameter of 4 cm. or place it in the sink making sure it is not choked or excessively bent.

The free end must be at a height of between 32 and 80 cm. and must not be submerged in water (see fig.2).

Electric Connection

Before inserting the plug into a power socket provided with an efficient grounding connection (grounding is a safety measure required by law) check that the mains voltage and frequency correspond to the ones given on the rating plate at the back of the dishwasher and that the electric system it is to be connected to can take the maximum current indicated on this plate.

If the power socket the dishwasher is to be connected to does not fit the plug, replace the latter with a suitable one rather than using adaptors or shunts which could cause overheating or burning.

If the appliance is not to be connected using a plug, in order to meet the relative safety regulations, on the installation side there must be an omnipolar separating device with a contact opening of at least 3 mm.

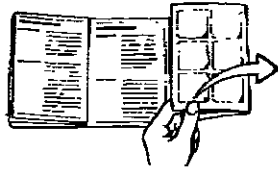
The manufacturer declines all liability for any damage to persons or things deriving from there being no connection or there being a faulty earth connection.

N.B.

This appliance complies with the provisions of the community regulation EEC directive no.87/308 of 2/6/87 on the prevention and elimination of radio interference.

DESCRIPTION OF THE DISHWASHER

Before reading, open out the pages with the illustrations at the end of this handbook.



Panel Description

- 1 Wash program selector
- 2 Fitted handle to open door
- 3 **START/STOP** button
- 4 **ECO** button (**)
- 5 **ON/OFF** indicator light
- 6 **NO SALT** indicator light (**)
- 7 **NO POLISHER** indicator light (**)

(**) Only some dishwashers are preset to do the above mentioned functions.

Inside the tank

- 8 Upper basket
- 9 Upper sprayer
- 10 Basket height adjustment
- 11 Lower basket
- 12 Lower sprayer
- 13 Salt container
- 14 Wash filter
- 15 Detergent and polisher container

WATER SOFTENER

Some dishwashers are fitted with an automatic softener that removes the hardness from the water.

Hard water leaves whitish stains on dry dishes; moreover, as lime goes on the dishes become opaque.

Important information

Please pay great attention so that after filling the salt container it is closed properly.

It is important that the wash lye does not penetrate into the salt container because if any detergent or lye does get in it could jeopardise the operation of the regenerating system.

In this case, warranty no longer holds.

The appliance is designed to adjust the right amount in relation to the hardness of the mains water.

N.B. the machine is factory set to 40°F.

Loading Salt

Use only regenerative salt for household dishwashers.

If salt in pastilles is used, do not fill the container fully.

Only in extreme cases use edible or industrial salt as they contain insoluble substances that with the passing of time could jeopardise the water softening system.

On the bottom of the dishwasher there is a container where salt is to be poured for regeneration.

After removing the lower basket, unscrew the container cap by turning it anticlockwise and pour in salt using the funnel supplied with the dishwasher (see Fig.3).

Before screwing the cap back on, remove the deposits of salt on the container opening.

The water softener contains about 2 kg of salt.

Note

The first time the machine is used, besides adding salt, a litre of water must also be added.

The salt container should always be filled before a wash, in this way the overflowing saline solution is immediately removed by the water. If this solution were to remain inside the tank for any length of time, it could lead to corrosion.

DETERGENT AND POLISHER DISTRIBUTOR

The detergent dispenser and the additive proportioner are on the inside of the door. On the left there is the detergent dispenser and on the right the additive proportioner.

Before each wash the dispenser should be filled with detergent.

The additive for the rinse should only be added according to need.

Loading Detergent

To open the detergent dispenser, press lightly on the relative button, the lid will snap outwards.

Add detergent and close the lid (see Fig.4A).

During washing the dispenser is automatically opened and the detergent is added to the water.

If the "super" program has been selected, besides the quantity of detergent previously added there must also be an additional quantity, filling the cavity "G" located above the distributor door (fig.4B), or the tub "H" located inside the distributor (fig.4C).

Note: depending on the model, the machine may be fitted with different distributors. The instructions explain the use of both (fig. 4A and 4B).

Important

Only specific detergents for dishwashers must be used.

It is important to use good detergents in order to achieve good washing results.

An insufficient quantity of detergent means all the dirt will not be eliminated, while an excessive amount will not increase the effectiveness of the wash, but will be a waste and in some cases may cause foaming and pollution.

Adding the Rinse Additive

Open the cap, or the door (depending on the model) of the proportioner, pour in the additive watching the additive level gauge between the detergent dispenser and the additive proportioner (see Fig. 5A-5B).

Additive level gauge:

- Proportioner full
- Proportioner empty

The additive proportioner can contain about 100 cm³ of liquid.

Before closing the cap, or the door, use a cloth to remove any polisher that may have spilled out.

The additive is automatically added to the water during the final rinse; it speeds up drying and prevents stains and scale deposits from forming on the dishes.

To adjust the dosage, turn the plug in the proportioner onto the necessary position; the doses are in proportion to the numbers given (see Fig. 5A-5B).

Dosage must be increased when the washed dishes are opaque or have ring marks on them. If the dishes are sticky or have whitish stripes on them, the dose has to be reduced.

The machine leaves the factory with the adjustment set at the minimum level.

ADJUSTING SPRAYER PRESSURE

The pressure of the jets of the rotating arms may be adjusted.

The machine leaves the factory with a setting for a standard load of dishes.

If there is an especially dirty load of dishes in the lower basket, or a partial load, or delicate dishes, in the upper basket, the pressure of the sprayers may be varied by turning the white spray nozzle clockwise at the top of the steel tank (see Fig.6).

This makes it possible to increase the pressure of the lower jets and to lessen that of the upper jets.

LOADING DISHES

The dishwasher has a capacity of 12 covers, including serving dishes.

Before loading the dishes, remove the remains of pieces of food to prevent the filter from clogging up.

Very dirty pots or pans will be soaked in water before being loaded into the lower basket of the dishwasher so that remains of food will come off more easily.

Loading the Lower Basket

Since the washing action of the lower sprayer is especially powerful, the lower basket is meant to contain the most difficult dishes to deal with.

In the standard 12 cover version it is fitted with moveable dividers for plates and a special basket for cutlery of any kind. Plates, dishes, and side-plates, pots, pans, and serving dishes will be arranged in the lower basket.

Arrange the dishes and side-plates on the special dividers taking care that there is always a space between one plate and another.

They must always be positioned vertically to enable the water to pass freely.

Pots and pans must always be turned upside down.

Any loading combination and variation is possible as long as the dishes, pots and pans are arranged so that all the dirty surfaces are exposed to the jets of water coming from below and so that this water can then flow freely.

See figures 7 and 8.

Loading the upper basket

The upper basket should only be loaded with small and medium dishes, such as glasses, saucers, tea and coffee cups, shallow bowls and heat-resistant lightweight plastic objects. When the upper basket is used in its lowest position it can be loaded even with slightly soiled plates.

Plates should be loaded with their top side forwards, hollow recipients and cups always with their opening turned downwards. After a few washes you will have found the best way to arrange your dishes in order to get the best wash.

Cups and glasses can be placed on two levels on the left-hand side of the basket.

For this purpose the upper racks can be raised.

In the centre and completely on the right plates and saucers can be slotted vertically into the forks.

The illustrations show some ways of arranging dishes in the upper basket (Fig. 9 and 10).

Adjusting the Height of the Upper Basket

The upper basket can be adjusted to two different heights according to need and to the height of the dishes.

To change insertion height, remove the upper basket at the end of its stroke, remove the clips and take out the steel runners by pushing them backwards, fit the other pair of wheels back onto the runners by pulling them forwards again, put the clips back on.

Check that the basket wheels still run on their runners (fig. 11).

TO SAVE ENERGY

By taking a little advice it is possible to save on electricity and water:

- Use the dishwasher when it is fully loaded.
- Do not wash dishes in running water.
- Use the most suitable washing program for the type of load.
- Do not use the preliminary rinse.
- If available, connect the machine to the hot water system up to and not above 60°C.

THE FIRST WASH

Switching On

The dishwasher can only be switched on after loading the dishes, filling the dispenser with detergent, checking that the arms turn freely, and closing the door.

Moreover, the water tap must be open and the machine loaded with salt. In some countries this is not necessary (please check with your retailer).

To select the most suitable program for the dishes to wash, carefully follow the table given in this handbook, especially for the first few times.

In this table, the programs available can be identified in relation to the type of the dishes, their mechanical and thermal resistance, and the degree of dirt.

To switch the dishwasher on, press the program selector so it comes out.

Then select the program: the selected cycle must appear on the transparent display.

To start the wash program, press the "START-STOP" push-button. (*)

If the wrong program has been set, press the "START-STOP" button to stop the dishwasher. (*)

Choose the right program with the selector.

Switch the dishwasher back on again by pressing the "START-STOP" button. (*)

While a wash program is running, the selector may stick out remain flush.

Switching Off

To switch the dishwasher off, press the "START-STOP" button. (*)

Once it has begun we recommend you do not interrupt the wash cycle.

Removing Dishes

It is advisable to let 20 minutes pass after the end of the program before emptying the dishwasher in order to have the dishes dry and not too hot.

Empty the lower basket first: it is possible there may still be a few drops of water on the dishes in the upper basket which would fall onto the dishes in the lower basket.

Program selection guide

Denomination	Selector	Type and amount of dirty on dishes	Amount of detergent	Program operation					Consumption		Duration	
				grams	pre-wash	wash	cold rinses	hot rinses	drying	water (litres)		current (kWh)
Soak	1	Pans and dishes before a wash program	-	*	-	-	-	-	-	7	0,007	8
Strong wash (65°C)	2	Very dirty pots and dishes (with exception of fragile pieces), 12 covers	25	*	65	2	67	*		28	1,8	95
Normal wash (55°C)	3	Normally dirty dishes, 12 covers	25	*	55	1	67	*		22	1,4	70
Rinse	4	Rinse and dry clean or dusty dishes, 12 covers	-	-	-	1	67	*		12	0,9	40

* YES
- NO

N.B. Soak only with partial load

Consumption data may vary depending on the type of load, changes in mains voltage, water mains pressure, and water temperature.

Program selection guide (models with ECO pushbutton)

Denomination	Selector	ECO push-button	Type and amount of dirty on dishes	Amount of detergent	Program operation					Consumption		Duration
					grams	pre-wash	wash	cold rinses	hot rinses	drying	water (litres)	
Soak	1	-	Pans and dishes before a wash program	-	*	-	-	-	-	7	0,007	8
Strong wash (65°C)	2	-	Very dirty pots and dishes (with exception of fragile pieces), 12 covers	25	*	65	2	67	*	28	1,8	95
Rinse	3	-	Rinse and dry clean or dusty dishes, 12 covers	-	-	-	1	67	*	12	0,9	40
Normal wash (60°C)	4	-	Normally dirty dishes, 12 covers	25	*	60	1	67	*	22	1,4	70
Eco wash	5	*	Slightly soiled dishes washed immediately after use, 12 covers	25	-	45	1	67	*	17	1,1	50

* YES
- NO

N.B. Soak only with partial load

Consumption data may vary depending on the type of load, changes in mains voltage, water mains pressure, and water temperature.

DISHWASHER CLEANING AND UPKEEP

Cleaning the Machine

The outer surfaces and door jambs of the dishwasher should be cleaned at regular intervals with a soft damp cloth.

Never use abrasive or acid detergents.

The door seals must be cleaned with a damp sponge.

The outside of the machine can be cleaned with a normal detergent for painted surfaces.

Make sure the machine is disconnected from the mains.

Cleaning the Water Inlet Filter

Periodically clean the water inlet filter "A" (see Fig. 1) located at the tap outlet.

After shutting off the tap, unscrew the end of the water intake pipe, remove the filter and clean it delicately under a jet of running water; fit the filter back in and screw the pipe back on.

Cleaning the Sprayers

The sprayers can easily be removed to allow the nozzles to be periodically cleaned and possible blockage prevented.

The upper sprayer is removed by unscrewing the knurled nut while the lower one is removed by simply pulling it upwards.

Wash them thoroughly under a jet of water and place them back in their seats.

Cleaning the Filter Unit

The filter unit employed is virtually entirely self-cleaning.

However, at the end of each program it is a good rule to remove and inspect the central filter "A" (see Fig. 12) and clean it if necessary.

In that case it is necessary to detach the metal microfilter "B", by turning it clockwise, and removing the snap-fit parts using the tabs "C" (see Fig. 13).

Occasionally (once a month) it is necessary to clean the stainless steel filter "D" as well (see Fig. 14).

To remove it, the lower sprayer must be detached, turn the fixture support "E" anticlockwise and extract it.

The filter should be cleaned in running water with a hard brush.

It is essential to clean the filters carefully and in accordance with the indications given above as the dishwasher will not work at all with a clogged filter.

Moreover, we recommend you put the clean filters back in their place properly to prevent any possible damage to the wash pump.

If the dishwasher is not to be used for a long period, it is necessary to take the following precautions:

- carry out two consecutive pre-rinses;
- unplug it from the mains;
- leave the door slightly open, so that bad smells will not form inside;
- fill the rinser additive proportioner;
- shut off the water tap.

Before using the dishwasher after such a period, you will have to:

- plug it back into the power socket;
- check that in the supply pipe no mud or rust has deposited, to do this let water run freely for a few minutes out of the supply tap;
- reconnect the flexible supply hose and open the water tap.

HOW TO ELIMINATE SMALL PROBLEMS BY YOURSELVES

If the dishes are not clean at the end of a program.

You need to check whether:

- the right wash program was used;
- the detergent dispenser opened;
- the dishes were arranged properly;
- detergent was poured into the dispenser in the right amount;
- the rotating arms turn freely;
- the water tap is open;
- the nozzles of the rotating arms are not clogged;
- the filter of the flexible supply hose is not clogged up;
- the mains water pressure is correct;
- there is salt in the water softener.

If the dishwasher does not work.

Check that:

- the plug is properly inserted in the power socket and the fuses are in the right place;
- the power supply has not been cut off;
- the water tap is open;
- the door is properly shut;
- the filter of the flexible supply hose is not clogged up;
- the drainage hose has not been squashed.

CUSTOMER SERVICE

If with the steps taken in the paragraph "If the Dishwasher does not Work" you have not managed to eliminate any defects the machine may have, then you need to call Customer Service.

"Unnecessary" visits are not covered by warranty and are therefore to the customer's charge.

The appliance you have purchased complies with current safety regulations concerning electrical appliances.

Therefore, any technical controls must only be made by specialised personnel as repairs carried out by unskilled labour may create dangerous situations for the end user.

ADVICE

Before using the appliance, here are some more suggestions.

This dishwasher can wash all dishes for household use.

In some cases, however, their characteristics must be taken into account.

When buying new dishes, make sure they are dishwasher-safe.

Cups, Bowls, and Dishes

They do not dry completely as water collects in the hollow on their bottom where it cannot evaporate sufficiently quickly.

Decorated Dishes

Colours under and in the glaze withstand washing.

Colours on Top of the Glaze

Today, they are applied with such quality as to offer good resistance to mechanical washing for a period of normal duration.

It is difficult to prevent more delicate colours from fading after frequent use.

If you have any doubts about colour fastness in a service, we advise you to wash one or two pieces of it each time in the dishwasher for about four weeks (perhaps a piece that has already been damaged).

Aluminium Ware

With anodised aluminium it may lose its colour.

Silver Cutlery

It may get stained if it comes into contact with foods containing sulphur (eggs, pulses).

These stains can be removed with products for silverware.

Handicraft Objects

They are seldom suited to washing in a dishwasher.

The relatively high temperatures of the water and the detergents used may damage them.

Wooden Objects

Such as bread boards, they do not resist mechanical washing and may deform or flake.

Old Knives

With their blades glued into the handle, they should not be washed in a dishwasher since the glues used do not stand up to the heat.

Plastic Dishes

Not withstanding the heat they may deform. Heat-proof plastic dishes should only be washed in the upper basket.

Glass and Crystal

It can generally be washed in the dishwasher. There are, however, types of glass that do not withstand mechanical washing and they gradually lose their transparency. We therefore advise you to wash delicate glasses with the "delicate wash" program so there is less danger of damaging them.

TECHNICAL CHARACTERISTICS

Width.....cm 60

Depth.....cm 60

Height.....cm 85

Depth with door open.....cm 116

Capacity..... 12 standard covers

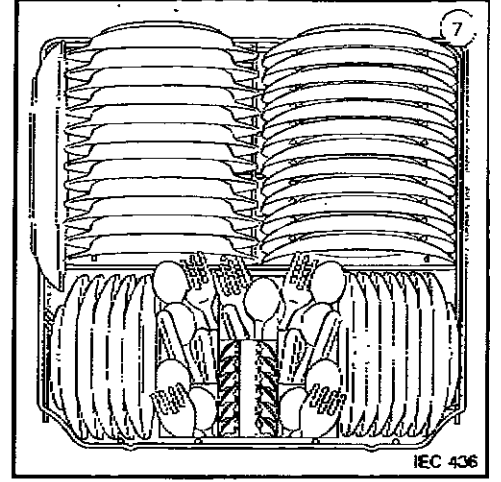
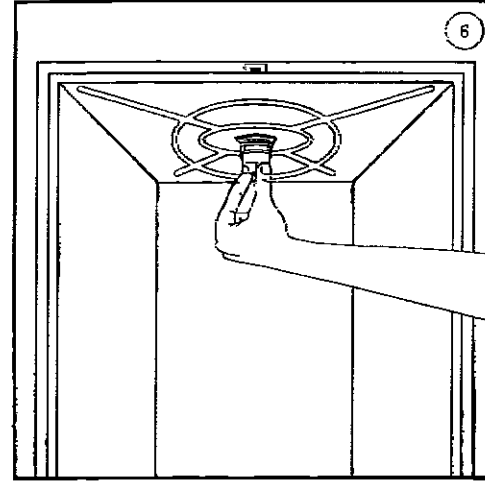
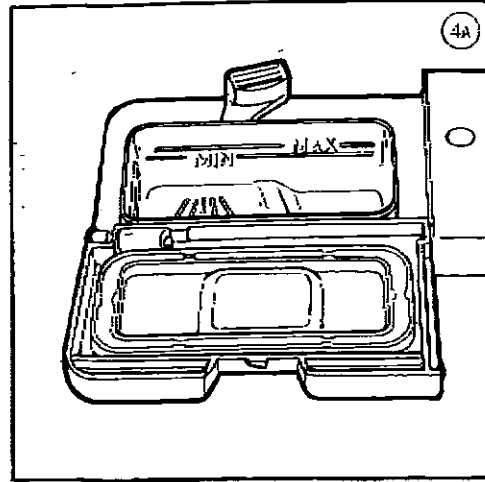
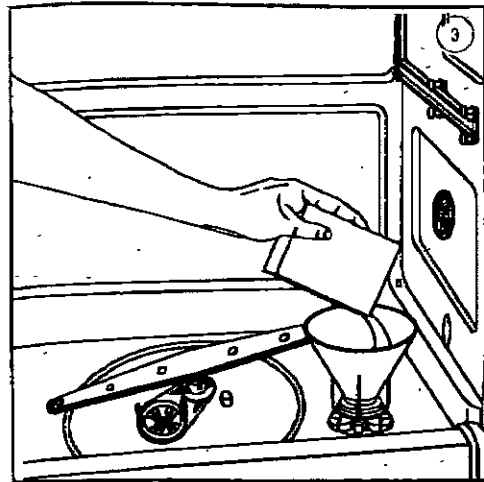
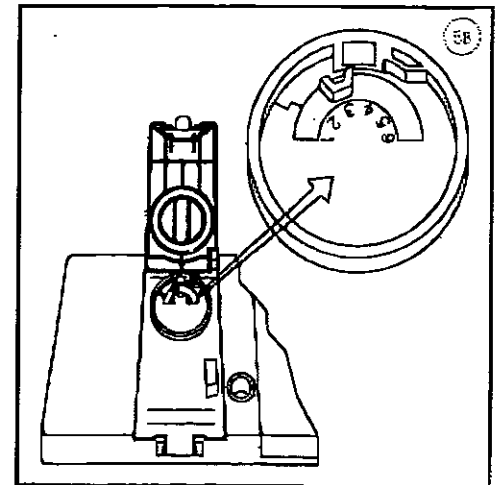
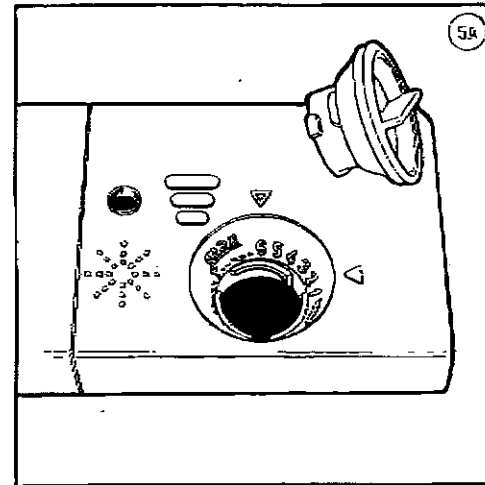
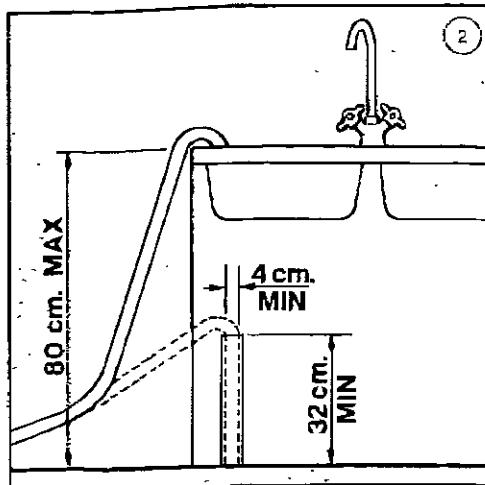
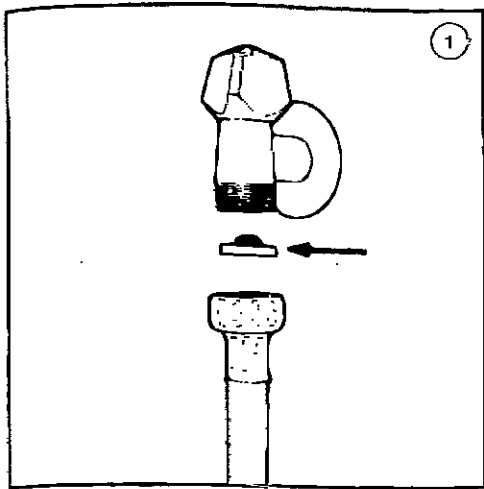
Water input pressure.....1 - 9 bar

Power supply.....see table of specifications

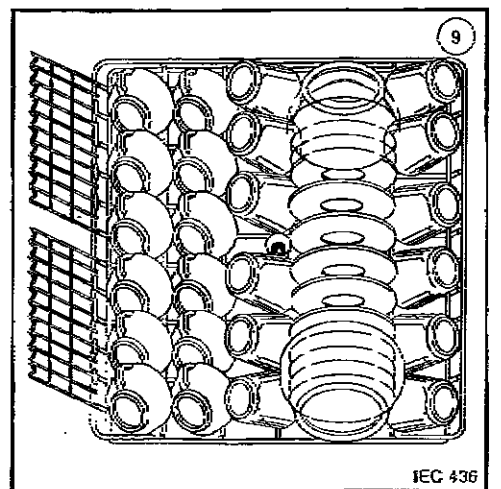
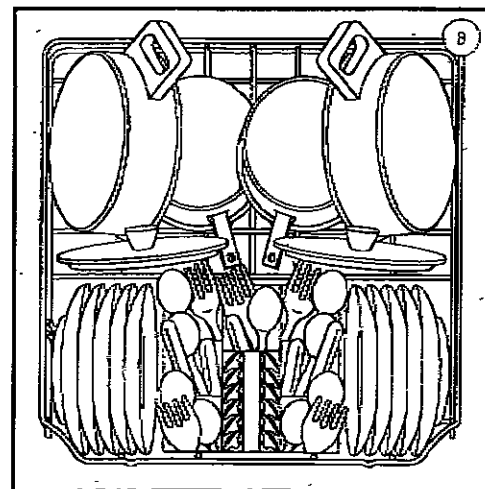
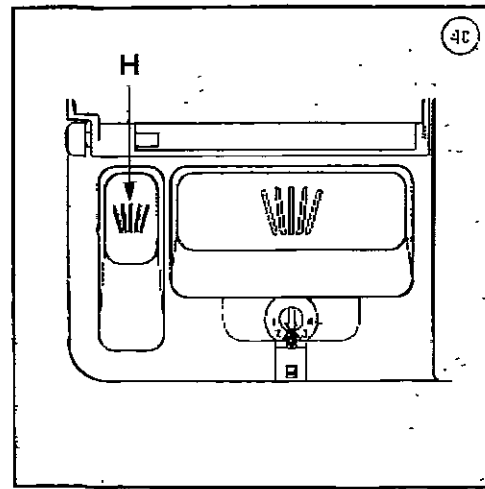
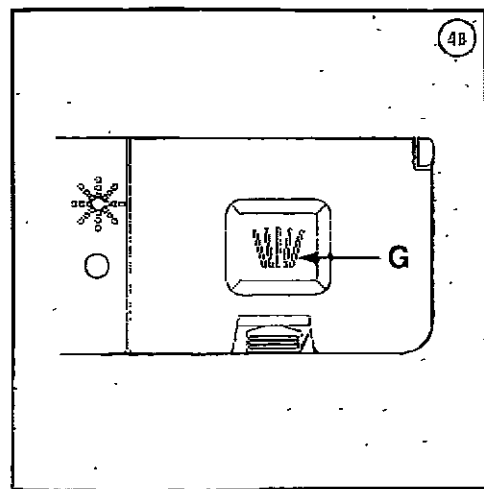
Heater loading.....see table of specifications

Total input.....see table of specifications

Fuse.....see table of specifications



IEC 436



IEC 436

