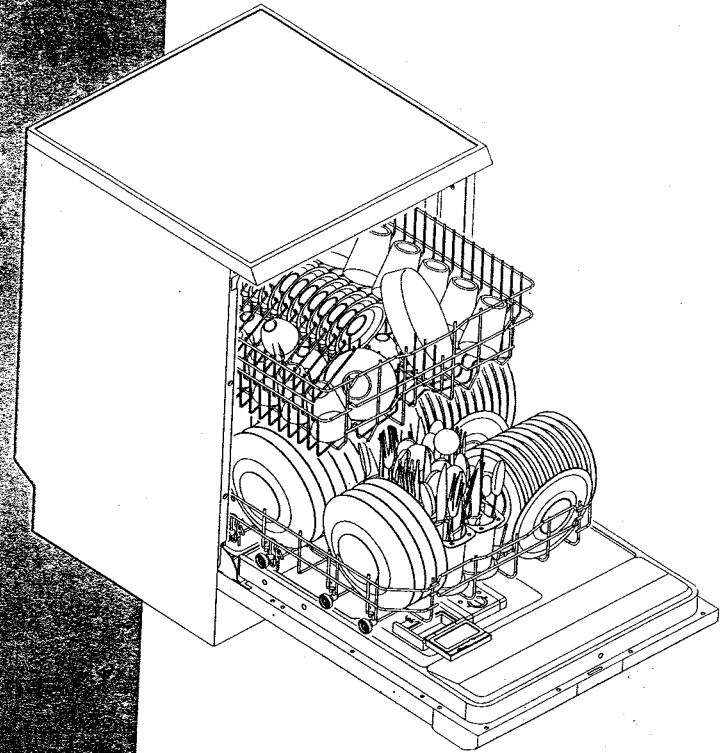


**Lavastoviglie
Dishwasher
Lave-vaisselle
Geschirrspüler
Afwasautomaat
Lavavajillas
Máquina de lavar-louça**



ARTI GRAFICHE CHIRIBELLA - BOZZOLO (MN) - Via Armi, 36 - ☎ (0376) 91155

Istruzioni per l'installazione e l'uso
Instructions for installation and use
Instructions pour l'installation et l'emploi
Informationen für Installation und Gebrauch
Instructies voor installatie en gebruik
Instrucciones para la instalación y el uso
Instruções de utilização



Copertina: carta ecologica non riciclata
Pagine interne: carta riciclata al 100%

19590 0411 00

CONTENTS

General precautions	pag. 23
Installation	pag. 25
Description of the appliance	pag. 27
Water softener	pag. 28
Adjusting the softener	pag. 29
Detergent and rinse-aid dispenser	pag. 30
Loading the dishes	pag. 31
How to save energy	pag. 32
First wash	pag. 33
Table of programs	pag. 34
Cleaning and maintenance	pag. 35
How to deal with small problems	pag. 37
After-sales service	pag. 37
Recommendations	pag. 38
Technical data	pag. 39

PROTECTING THE ENVIRONMENT

Disposing of the packaging

Ensure that the recyclable material from the packaging is consigned to your nearest recycling centre.

CAUTION

Before using your appliance, read the instructions in this manual carefully. Keep this manual in a safe place; if you sell your dishwasher, pass the manual on to the new owner.

The manufacturer declines all responsibility if the following precautions are not complied with.

- 1) Do not use appliances damaged in transit; if in doubt, contact your dealer.
- 2) The materials used for packaging (plastic bags, polystyrene, wood, etc.) must not be left within reach of children, since they are a potential source of danger.
- 3) The appliance must be installed and connected in accordance with the instructions provided by the manufacturer or by qualified personnel.
- 4) The appliance must only be used for household purposes and for the functions for which it was designed.
- 5) Never touch or operate the appliance with wet hands or bare feet.
- 6) Do not leave the dishwasher exposed to the weather (rain, direct sunlight, etc.).
- 7) Only skilled staff are authorized to carry out repair work on the appliance.
- 8) In case of malfunctions or maintenance work, disconnect the appliance from the electrical mains. Remove the plug or cut off the supply of current by disconnecting the master circuit-breaker for your home.
- 9) Once taken out of use, appliances must be rendered unusable. It is important to cut the mains power lead after disconnecting the plug from the socket. Take measures on parts of the appliance such as locks, doors, etc. which might be dangerous for children if used during play, to eliminate any such risks. Consign the obsolete appliance to an authorized scrapping centre.
- 10) Keep children away from detergents and from the open dishwasher. The appliance might contain residues of detergent.
- 11) Never drink the water left in the appliance or on dishes after washing programs.
- 12) Do not place solvents such as alcohol or turpentine inside the dishwasher tank; they might cause an explosion.
- 13) MODELS WITH AQUASTOP

This device prevents the room from flooding in case of water leaks. If it is

tripped, a qualified technician will have to be called in to evaluate and repair the failure.

In these models, the filler pipe, equipped with a resin container connected to the water supply point, contains a solenoid valve.

Never cut the pipe or allow the box to fall into water.

If the filler pipe is damaged, disconnect the appliance from the water supply.

- 14) Leaning or sitting on the open door of the dishwasher may cause it to tip over.
- 15) Never place plastic dishes above the heating element; they might melt.

16) Never touch the heating element during a washing cycle or just after it has finished.

17) Children are forbidden to use or play with the dishwasher.

18) Only wash dishes and cutlery suitable for washing in a dishwasher.

19) Knives and cutlery receive a better wash if placed in the basket with their handles pointing down; however, handles may be left pointing upward to avoid injury by tips or blades.

INSTALLATION

Unpacking

Remove the outer cardboard casing, the top, the reinforcing corner pieces and the polystyrene base.

Open the door of the dishwasher and remove the polystyrene basket retainer elements.

Positioning

Place the appliance in the chosen position.

The side or back of the appliance may be placed in direct contact with adjoining units or walls.

The water filler and drain pipes may be turned to the right or left to allow appropriate installation.

Levelling

After positioning the appliance, screw the feet in or out to adjust its height if necessary, and to level it until horizontal.

Proper levelling ensures that the dishwasher gives the best service.

N.B.: some models only have one foot at the rear, which can be adjusted using a screw down on the front of the appliance.

This allows the appliance's position to be adjusted even after it has been mounted inside the kitchen units.

(See sheet with illustrations of installations phases).

If the appliance is installed on a carpeted floor, take care that the

openings in its base are not obstructed.

Connection to the cold water supply

Connect the filler pipe to a cold water connection having **3/4 gas** threaded attachment, fitting the filter supplied with the dishwasher and taking care to screw it tightly onto the cock (Fig. 1). If the water piping is new or has been out of use for a long time, before making the connection run the water until it is clear and free from dirt.

Without this precaution, the water inlet may be fouled, causing damage to the appliance.

Connection to the hot water supply

The appliance may be supplied with mains hot water (central heating system) at a temperature of no more than 60 °C.

In this case, the washing time will be about 20 minutes shorter and the wash will be slightly less effective.

The connection must be made to the hot water supply exactly as described for connection to the cold water supply.

Connecting to the drain line

Fit the drain pipe into a drain line with diameter of at least **4 cm**, or place it over a sink, avoiding restrictions or over-tight bends.

The free end must be between **32 and 80 cm** above the ground, and must not be immersed in water (Fig. 2).

Electrical connection

Connect the plug to a power socket which has an earth connection in good working order (earthing of the system is a safety precaution required by law) after checking that the mains voltage and frequency values are as stated on the nameplate on the inside edge of the door and that the electrical system to which the appliance is connected is rated for the maximum current stated on the same nameplate.

If the power socket to which the appliances is to be connected is not compatible with the plug, replace the plug with another of suitable type rather than using adaptors or multiple plugs, which might cause heating or burning. If the appliance is not

connected by means of a plug, in order to comply with the relative safety inspections an omnipolar breaking device with contact opening gap of at least 3 mm must be installed on the installation side.

The manufacturer declines all responsibility for any injury or damage deriving from failure to connect the line to earth or a faulty earth connection.

N.B.

This appliance complies with the requirements of EEC Directive 89/336 dated 3.6.89 (including the amending directive 92/31) on the prevention and elimination of radio frequency disturbance.

- The plug must be accessible after installation.

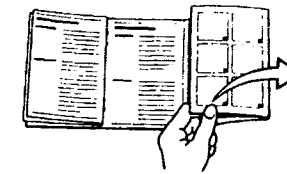
- If the power supply lead is damaged, it must only be replaced by the After-Sales Service or by a similarly qualified person.

- CAUTION!

If the power supply lead is replaced, the hatch must be returned to the correct position.

DESCRIPTION OF THE APPLIANCE

Before reading this description, open out the pages with the illustrations at the end of the manual.



Control panel description

- 1 Washing program selector
- 2 Inset handle for opening the door
- 3 **ON/OFF** button
- 4 **ECO** (55°C) program button
- 5 **SUPER** program button
- 6 **ON/OFF** indicator light
- 7 **NO SALT** warning light (*)
- 8 **NO RINSE AID** warning light (*)
- 9 **SELECTED PROGRAMS** indicator disc (*)

(*) **ONLY SOME MODELS ARE EQUIPPED TO PERFORM THE FUNCTIONS LISTED ABOVE**

Inside the tank

- 10 Top basket
- 11 Top spray arm
- 12 Bottom basket
- 13 Bottom spray arm
- 14 Salt container
- 15 Washing filter
- 16 Detergent and rinse-aid container
- 17 Basket for cutlery

WATER SOFTENER

The dishwasher is equipped with an automatic softener which uses regenerating salts specially developed for dishwashers to remove hardening substances from the water.

Hard water leaves whitish marks on the dry dishes, and dishes gradually lose their shine over time.

The appliance is preset to dispense the right amount of salt on the basis of the hardness of the mains water.

N.B. The appliance leaves the factory with a medium setting.

Important note: users are asked to take great care to close the salt container carefully after filling. It is important that detergent, or water containing it, should not enter the salt container, since this would impair operation of the regeneration system.

In this case, the warranty would no longer apply.

Filling with salt

Use only regenerating salt for household dishwashers. If salt pastilles are used, do not fill the container completely.

Only use edible or industrial salt in extreme cases, since they contain insoluble substances which may damage the water softening system over time.

There is a container on the bottom of the dishwasher into which the regeneration salt has to be poured. After taking out the bottom basket, unscrew the cap of the container by turning it anti-clockwise and pour in the salt using the funnel supplied with the dishwasher (Fig. 3).

Before screwing the cap back into place, remove salt residues from the opening of the container.

The water softener contains about 1,7 kg of salt.

With water of average hardness reload with softener every 20 wash cycles.

N.B.: when the appliance is used for the first time, one litre of water has to be poured into the tank as well as the salt.

The salt container must always be topped up before a wash, so that any overflowing salt solution will be removed immediately by the water.

If this solution is left inside the tank, it might cause corrosion.

ADJUSTING THE WATER SOFTENER

The dishwasher is fitted with a device which allows adjustment to the level of hardness of the mains water. It is inside the plastic ring-nut on the right-hand side inside the dishwasher (Fig. 4) and allows setting at 5 levels.

Set the water softener after checking the hardness of your water in accordance with the table.

Water hardness		Setting
German degrees	French degrees	
0 - 4 °dH	0 - 7 °dF	Setting N. 1 NO SALT
5 - 9 °dH	8-15 °dF	Setting N. 1
10-22 °dH	16-37 °dF	Setting N. 2
23-29 °dH	38-50 °dF	Setting N. 3
30-35 °dH	51-60 °dF	Setting N. 4
36-41 °dH	61-70 °dF	Setting N. 5

N.B. Contact your water supplier for information about the hardness of the water.

DETERGENT AND RINSE AID DISPENSER

The detergent and rinse aid dispensers are on the inside of the door.

The detergent dispenser is on the left and the rinse aid dispenser on the right. **Fill the dispenser with detergent before each wash.**

Filling with detergent

To open the detergent dispenser press the relative button gently.

The lid will spring out.

Pour in the detergent and close the lid (Fig. 5). The dispenser is opened automatically during washing.

If the "super" program is selected, as well as the usual dose of detergent, an extra amount will have to be added to cavity "G" or "H" (Fig. 5A-5B).

Important: use only detergents specifically intended for dishwashers. The use of good detergents is important in obtaining the best washing results.

If insufficient detergent is added, the dirt will not be completely eliminated, while excessive detergent does not increase the effectiveness of the wash, but is wasteful and may cause foam and pollution.

Adding rinse-aid

Open the cap of the dispenser and pour in the rinse-aid, watching the optical level indicator (Fig. 6A-6B).

Rinse-aid level indicator

- Dispenser full
- Dispenser empty

The rinse-aid dispenser is able take about 140 c.c. of liquid.

Before closing the cap, wipe away any spills of rinse-aid with a soft cloth.

The rinse-aid is added to the water automatically during the last rinse; it speeds up the drying process and prevents the formation of stains and scale deposits on the dishes.

To adjust the dosage, turn the selector on the dispenser to the desired position; the doses are proportional to the numbers indicated (Fig. 6A-6B).

Increase the dose if the washed dishes are dull or show round marks. If dishes are sticky or have whitish streaks, reduce the dose.

The appliance leaves the factory with a medium setting.

LOADING THE DISHWASHER

The dishwasher has a capacity of 12 place-settings including serving dishes.

Before loading the dishes, remove the largest scraps of food to avoid blocking the filter.

Very dirty pans or frying-pans must be soaked in water before they are placed in the dishwasher, to allow food waste to be removed more easily.

Put pans in the bottom basket.

Loading the bottom basket

Thanks to the particularly vigorous washing action of the bottom spray arm, the bottom basket is the right place for the dishes with the toughest dirt.

It has tip-up supports (Fig. 7) for plates and two baskets for cutlery of all kinds (if you have to wash only a little cutlery, just one basket can be used).

The bottom basket will be filled with plates, soup dishes, dessert and serving dishes, pans and lids.

Place the main course and dessert plates on the that are provided, taking care that there is always a gap between one plate and the next.

They must always be vertical to allow the water to pass freely.

Pans must always be upside down.

All loading combinations and variations are possible, provided dishes and pans are placed so that all dirty surfaces are exposed to the jets of water from below, and the water is able to flow freely (Fig. 8A-8B).

Loading the top basket

The top basket is intended to take only small and medium items such as glasses, small plates, coffee and tea cups, shallow bowls and light heat-resistant plastic objects.

When the top basket is used in the lower position, plates with light dirt can also be placed in it.

Load plates with the top facing forward, and cups and other recipients with the opening facing down.

A few washes will give you experience of the best way to arrange cups and glasses in two layers. Large and small plates can be placed in the centre, in the supports provided.

The diagrams show some possible options for arranging dishes in the top basket (Fig. 9A-9B).

Adjusting the top basket

The top basket can be set in two different positions depending on the height of the dishes.

Pull the basket out to the limit position, turn and stop "E" on the right and runner (Fig. 10) through 90°, push the runner towards the dishwasher and then raise the basket and insert the lower set of wheels into the runner (Fig. 11); now restore the end stop to its original position. This will allow large diameter plates to be loaded into bottom basket.

HOW TO SAVE ENERGY

A number of basic rules can be followed to save water and electricity:

- Use the dishwasher when fully loaded;
- Do not wash dishes in running water
- Use the washing program best suited to the type of load;
- Do not carry out the preliminary rinse
- If available, connect the appliance to the hot water supply system up to 60°C.

FIRST WASH

Switching on

The dishwasher must not be turned on until the dishes have been loaded, the dispenser has been filled with detergent, a check has been made that the spray arms turn freely, and the door has been shut.

The water tap must also be turned on and salt placed in the container.

To select the program best suited to the dishes to be washed, particularly when you are getting to know your dishwasher, comply closely with the table provided in this manual, which lists the programs available in relation to the type of dishes and the level of dirt.

To start the dishwasher, set the program desired on the program selector and/or the relative buttons, then press the **START/STOP** button.

To set the desired program on the program selector, turn the pointer to the number corresponding to the program required. There are the following variants, depending on the model:

- the appliance may have a switch which is flush with the control panel when out of use; to bring it out simply press it and then release. It may be left in projecting position even with the appliance in operation.

- there may be a program disc visible under a transparent cover marked with a pointer; the disc carries the same programs as the knob, so the setting can be made using either.

- the programs may be only on the knob or on the knob and disc; the pointer is on the control panel and may also be on the transparent disc cover. If the programs are on the control panel, the pointer will be on the knob.

If you have started the wrong program, stop the dishwasher by pressing the **START/STOP** button, make the new setting and restart the dishwasher by pressing the **START/STOP** button again.

Switching off

To switch off the dishwasher, press the **START/STOP** button.

Caution

If you open the door during the wash cycle, you must wait **at least 1 min.** with the door ajar before starting the dishwasher again.

Removing the dishes

It is better to wait at least 20 minutes after the end of the program before removing the dishes, so that they will be dry and not too hot.

Empty the bottom basket first, so that any drops of water left in the top basket will not fall onto dishes still in the bottom one.

Cycle	Switch setting	Button	Type of dishes and level of dirt	Quantity of detergent grams	Program sequence				
					pre-wash	wash	cold rinses	hot rinse	drying
Soak	1	-	Pans and dishes awaiting completion of the load.	cold	-	-	-	-	-
Super	2	super	Very dirty pans and dishes, dirt dried on, 12 place settings.	10 + 20	65°C	2	65°C	0	0
Bio 55 °C (*)	2	ECO (55°C)	Normally dirty pans and dishes, some dry residues, 12 place settings.	25	55 °C	1	65 °C	0	0
Normal 65 °C	2	-	Normally dirty pans and dishes, 12 place settings.	25	65 °C	1	65 °C	0	0
Eco 55 °C (EN 50242) (**)	3	ECO (55°C)	Lightly dirty pans and dishes, some dry residues, 12 place settings.	25	55 °C	1	65 °C	0	0
Daily 65 °C	3	-	Normally dirty pans and dishes, 12 place settings.	25	65 °C	1	65 °C	0	0
Brief 55 °C	4	ECO (55°C)	Dishes with little dirt, 12 place settings.	25	55 °C	1	65 °C	0	0

N.B. Only soak with partial load

(*) Program recommended with "new generation" detergents containing enzymes

(**) Reference cycle according to EN 50242.

O YES
- NO

CLEANING AND MAINTENANCE

Cleaning the appliance

The outside surfaces and the inside of the door of the dishwasher must be cleaned regularly with a soft, damp cloth.

Never use abrasive or acid detergents

The door seals must be cleaned with a damp sponge.

The outside of the appliance may be cleaned with a normal detergent for enamelled surfaces.

Make sure that the appliance is disconnected from the electrical mains.

Cleaning the water intake filter

Clean the water intake filter "A" (see Fig. 1) at the stop-cock outlet periodically.

Turn off the tap, unscrew the end of the water filler hose, remove the filter and clean it gently under a jet of running water, then replace the filter and screw the hose back in place.

Cleaning the spray arms

The spray arms can easily be removed to allow periodic cleaning of the nozzles and prevent any clogging. To remove the top arm, push it upwards and unscrew anticlockwise (Fig. 12); the bottom arm simply lifts off (Fig. 16). Wash them thoroughly under a jet of water and

"ORBITAL" spray arm

Some dishwasher models are equipped with an "ORBITAL" bottom spray arm, which rotates in a special

way to ensure that the jets of water reach the most difficult corners of the dishwasher, guaranteeing a better wash. To remove the "ORBITAL" unit, take hold of the longer arm "E" and pull it upward, then detach the two rotating arms "E" and "F" (see Fig. 17). Wash them carefully under a jet of water and put back in place.

Cleaning the filter unit

The central filter "C" (Fig. 13) should be removed for inspection periodically, and cleaned if necessary.

To remove it, take hold of the tangs, turn anti-clockwise (1) and then pull it (2) upwards (Fig. 13).

Then take hold of the central filter "D", and remove it from the microfilter (Fig. 14).

Finally, separate the two parts which make up the plastic filter by gently pressing in the points shown in fig. 15, pulling the top to extract it.

To remove the rectangular stainless steel filter, turn the sprinkler support anti-clockwise after detaching it (Fig. 16-17).

Clean filters in running water using a stiff brush.

It is essential to clean filters carefully as instructed above, as the dishwasher cannot operate with a fouled filter.

Users must also take care to replace the cleaned filters correctly, to avoid damage to the washing pump.

If the dishwasher is to be out of use for a long period

The following precautions must be taken:

- perform two consecutive pre-rinses
- disconnect the plug from the mains
- leave the door slightly open so that no unpleasant smells can form
- fill the rinse-aid dispenser
- turn off the water tap

Before re-using the dishwasher after a lay-off:

- re-connect the plug to the power socket
- check that no sludge or rust has been deposited in the water supply pipeline; allow water to flow freely from the supply tap for a few minutes
- re-connect the filler hose and turn the water tap back on.

HOW TO DEAL WITH SMALL PROBLEMS

If the dishes are not clean at the end of a program

Check whether:

- the right washing program has been used
- the detergent dispenser has opened
- the dishes have been arranged correctly
- the right amount of detergent has been placed in the dispenser
- the spray-arms turn freely
- the water tap has been turned on
- the spray-arm nozzles are blocked
- the filler hose filter is fouled

- the mains water pressure is correct
- there is salt in the water softener

If the dishwasher does not work

Check that:

- the plug is correctly inserted in the power supply socket and the fuses are in the right place
- there is not a power supply blackout
- the water tap is turned on
- the door is closed correctly
- the filler hose filter is not fouled
- the filler and drain hoses are not crused

AFTER-SALES SERVICE

If the checks described in the "If the dishwasher does not work" section fail to eliminate any faults on the appliance, the After-Sales Service will have to be called in.

Calls made where no defects are found are not covered by the warranty and will therefore be charged to the customer.

The appliance you have purchased complies with current safety regulations relating to electrical equipment.

Any technical checks must only be carried out by specialized staff, since repairs by unskilled workers may create dangers for the end user.

USEFUL ADVICE

Before you use your dishwasher, some advice about dishes.

All household dishes can be washed in this dishwasher.

However, in some cases their characteristics have to be borne in mind.

When buying new dishes, check that they can be washed in a dishwasher.

Cups, bowls and plates with concave bases.

These do not dry completely since water collects in the cavities, from where it cannot evaporate quickly enough.

Decorate dishes

Glazed colours withstand washing

Not glazed colours

Colours applied above the glaze may be of a quality which offers good resistance to mechanical washing for a normal lifetime.

It is difficult to prevent more delicate colours from fading with frequent use. If in doubt about the resistance of a particular service, wash one or two pieces in the dishwasher each time for about four weeks (use an item already damaged if possible).

Aluminium items

Anodized aluminium items may become discoloured

Silver cutlery

Silver items may stain if they come

into contact with foods containing sulphur (eggs, legumes, etc.). These stains can be removed using products for silverware.

Handmade items

Handmade items are rarely suitable for washing in the dishwasher. The relatively high water temperatures and the detergents used may damage them.

Wooden items

Wooden items such as chopping-boards do not withstand mechanical washing, and may warp or crack.

Old knives

Knives with the blade glued into the handle must not be washed in the dishwasher, since the adhesives used do not withstand heat.

Plastic dishes

Plastic dishes do not withstand heat and may become misshapen. Heat-proof plastic dishes must only be washed in the top basket.

Glass and crystal

Generally speaking glass items can be washed in the dishwasher. There are, however, certain types of glass that tend to become opaque after numerous wash cycles; wash delicate glass items using a "delicate" washing program, if available, or, in any event, the least intensive of the available programs.

TECHNICAL DATA

Width	cm. 60
Depth	cm. 60
Height	cm. 85
Dimension with door open	cm. 116
Capacity	12 standard place-settings
Intake water pressure	min. 100 KPa - max. 900 KPa
Power supply voltage	220 - 230 V
Heating element power	2100 W
Total power absorption	2,25 kW
Fuse	10 A

