

RDW6012FI

Dishwasher



User Guide

&

Installation & Service Instructions



U109980 - 02

Contents

1.	Before You Start	1
2.	Overview and Operation	2
3.	Looking after your Dishwasher	11
4.	Troubleshooting	13
5.	Installation	15
6.	General Information	19
7.	Circuit Diagram	20
8.	Technical Data	21

1. Before You Start

At Time of Delivery

Check packaging and dishwasher immediately for signs of transport damage. If the appliance is damaged DO NOT USE. Contact your supplier or customer services.

Please dispose of packaging materials properly.

During Installation

- Site the dishwasher and connect in accordance with the installation instructions.
- The dishwasher must not be connected to the electricity supply while installation is being carried out.
- Ensure that the wiring is properly earthed.
- The mains electricity supply must conform to the details shown on the dishwasher nameplate.
- Do not connect the dishwasher to the electricity supply with an extension cable.
- Built-under and built-in appliances should always be installed under a continuous work surface attached to adjacent cupboards. This will ensure that the appliance is stable.
- After the appliance has been installed, the mains plug should be easily accessible.
- During installation, the power supply cord must not be excessively bent or flattened.

During Normal Use

- The dishwasher must only be used for washing household dishes and cooking utensils.
- This appliance cannot be installed outdoors.
- Do not place any heavy objects or stand on the door when it is open. The appliance may tip forward.
- The water inside the dishwasher is NOT suitable for drinking.
- Do not use solvents of any kind inside your dishwasher. They could cause an explosion.
- Open the door very carefully if the dishwasher is operating.
- Never touch the dishwasher with wet hands.
- If the appliance is not operating properly or maintenance is required, disconnect from the power supply.
- Children should be supervised.
- Keep detergents out of reach of children.

If a Fault Occurs

If the appliance malfunctions, turn off the water supply and disconnect the plug from the wall socket. If you cannot solve the problem, contact your service centre.

Only authorised persons should make repairs.

If the supply cord is damaged it must be replaced by the manufacturer, service agents or authorized persons.

To maintain the efficiency and safety of this appliance we recommend:

- Call only Service Centres authorized by the manufacturer.
- Always use original spare parts.

Caring for the Environment

Disposing of your packaging

Your new dishwasher was protected by suitable packaging while on its way to you. All of the materials used are environmentally friendly for disposal and can be recycled. Please make a contribution to protecting the environment by disposing of the packaging appropriately.

Disposing of your old dishwasher

Old appliances still have some residual value. An environmentally friendly method of disposal will ensure that valuable raw materials can be recovered and used again.

When an appliance has reached the end of its working life unplug it from the mains. Cut off the mains cable and dispose of it together with the plug.

Destroy the door locking mechanism so that children cannot accidentally lock themselves in.



This symbol on the product or its packaging indicates that the product may not be treated as household waste. Instead it should be handed over your local community waste collection/ recycling centre.

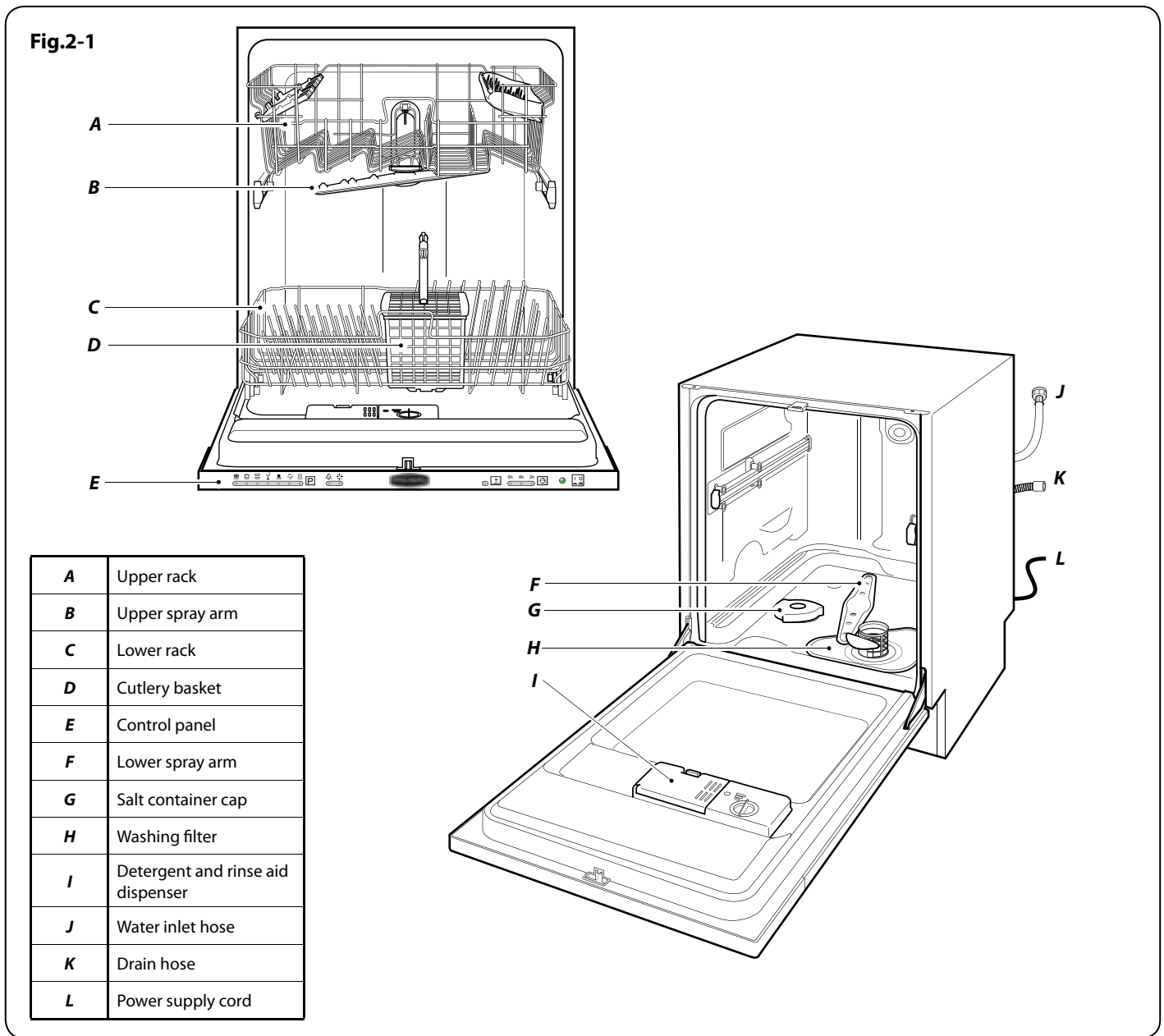
By ensuring this product is disposed of correctly, you will help prevent potential negative consequences for the environment and human health, which could otherwise be caused.

For more detailed information about recycling of this product, please contact your local council, your household waste disposal service or the shop where you purchased the product.

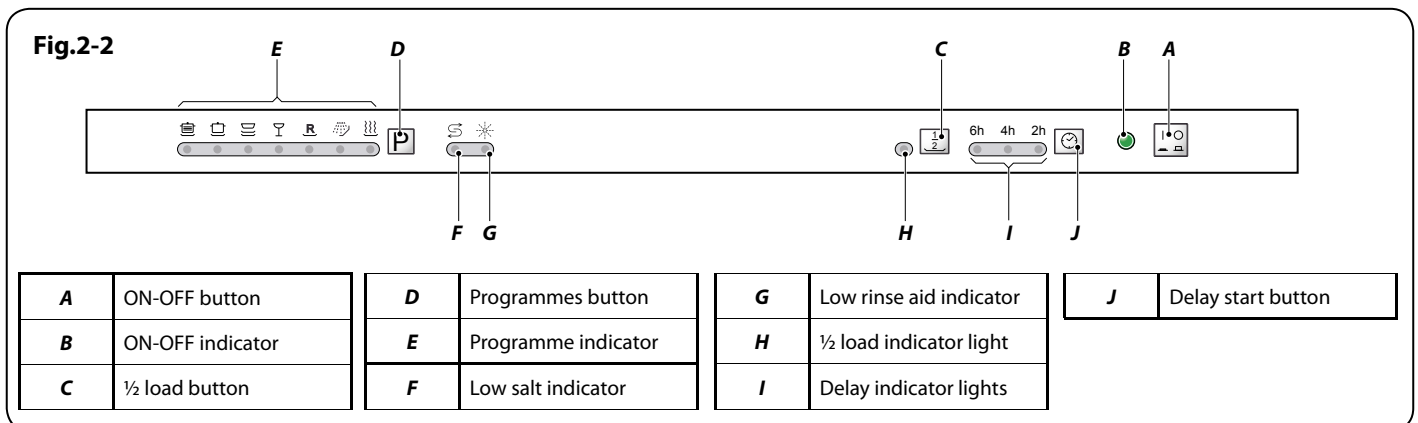
2. Overview and Operation

Getting to Know Your Dishwasher

Dishwasher Interior (Fig.2-1)



Control Panel (Fig.2-2)



Salt

The hardness of water varies from place to place. If hard water is used in the dishwasher, deposits will form on the dishes and utensils.

The appliance is equipped with a special softener that uses a salt specifically designed to eliminate lime and minerals from the water.

Loading the salt into the container

Always use salt intended for use with dishwashers.

The salt container is located beneath the lower rack and should be filled as follows:

1. When the low salt indicator (**Fig.2-3**) lights, you must fill the salt. Remove the lower rack and then unscrew and remove the cap from the salt container.

Note: If you are filling the container for the first time, fill it with water

2. Place the end of the funnel (supplied) into the hole and introduce about 2 kg of salt. It is normal for a small amount of water to come out of the salt container.
3. Carefully screw the cap back on.

IMPORTANT: To prevent the formation of rust, load the salt just before beginning a wash cycle.

Adjusting salt consumption

The dishwasher is designed to allow for adjusting the amount of salt consumed based on the hardness of the water used. This is intended to optimize and customize the level of salt consumption so that it remains at a minimum.

To adjust salt consumption:

1. Unscrew the cap from the salt container.
2. There is a ring on the container with an arrow on it (**Fig.2-4**).
3. If necessary, rotate the ring in an anticlockwise direction from the '-' setting towards the '+' sign, based on the hardness of the water being used.

It is recommended that adjustments be made in accordance with **Table 2-1**.

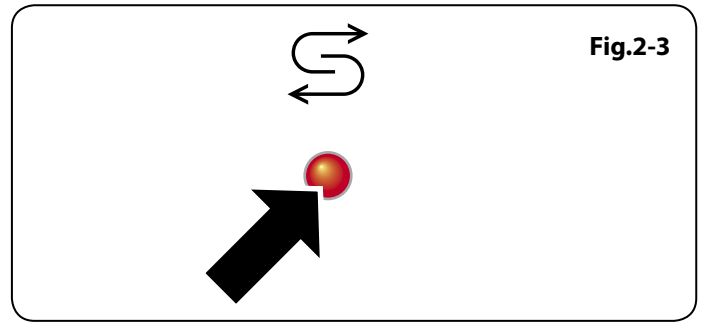


Fig.2-3

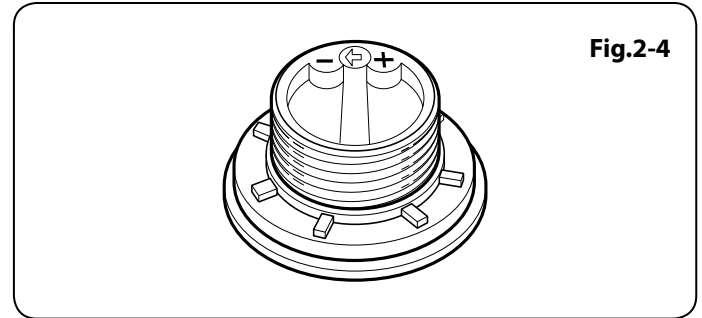
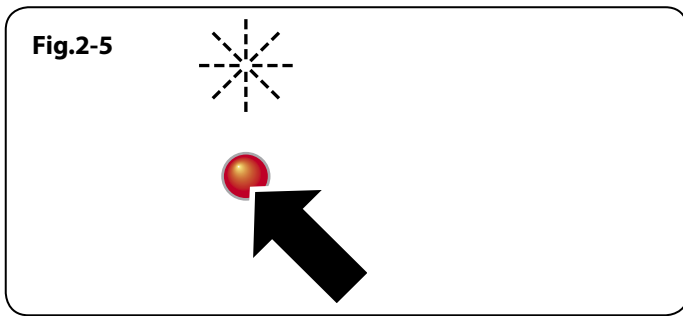


Fig.2-4

Water Hardness						
Level	Clarke degrees	°dH	mmol/l	Selector position	Salt consumption cycle	Autonomy (cycles/2kg)
1	0 - 14	0 - 17	0 - 1.7		0	
2	14 - 36	18 - 44	1.8 - 4.4	-	20	60
3	36 - 71	45 - 89	4.5 - 8.9	MED	40	40
4	> 71	> 89	> 8.9	+	60	25

Table 2-1



Rinse Aid

This product makes dishes sparkle and helps them to dry without spotting. The dispenser is located on the inside panel of the door.

When the low rinse aid indicator (**Fig.2-5**) lights you must add rinse aid.

Loading the rinse aid

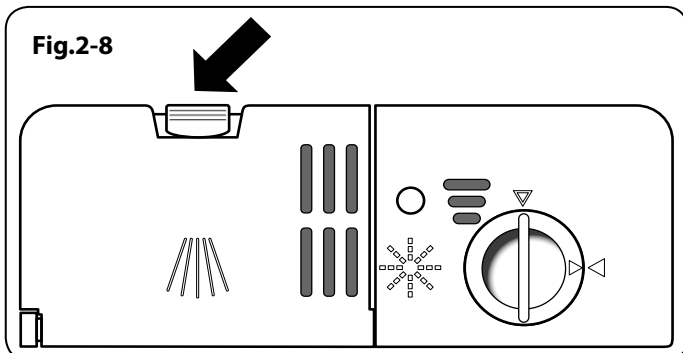
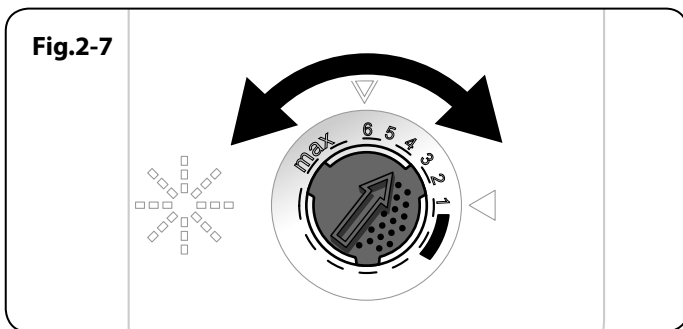
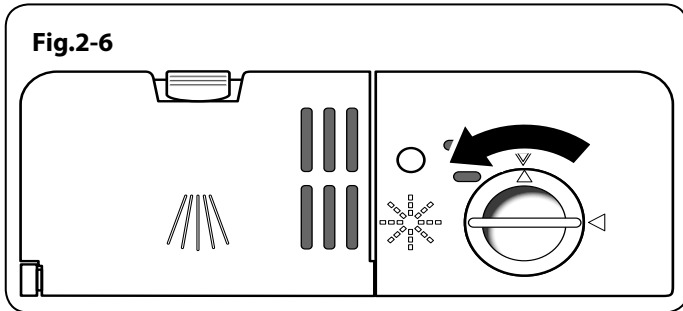
To load the rinse aid:

1. To open the dispenser, turn the cap in an anti-clockwise direction and remove (**Fig.2-6**).
2. Pour in the rinse aid, making sure not to overfill.

Regulate the amount of rinse aid used for each cycle by turning the dose adjuster (**Fig.2-7**), located beneath the cap, with a screwdriver.

There are 6 different settings the normal dosage setting is 3.

IMPORTANT: Proper dosage of rinse aid improves drying. If drops of water remain on the dishes or spotting occurs, the dosage adjuster should be turned to a higher setting. If the dishes have white streaks, turn the adjuster to a lower setting.



Detergent

Detergent specifically intended for use with dishwashers must be used. The dispenser must be refilled before the start of each wash cycle following the instructions provided in the 'Programme overview'. The detergent dispenser is located on the inside panel of the door.

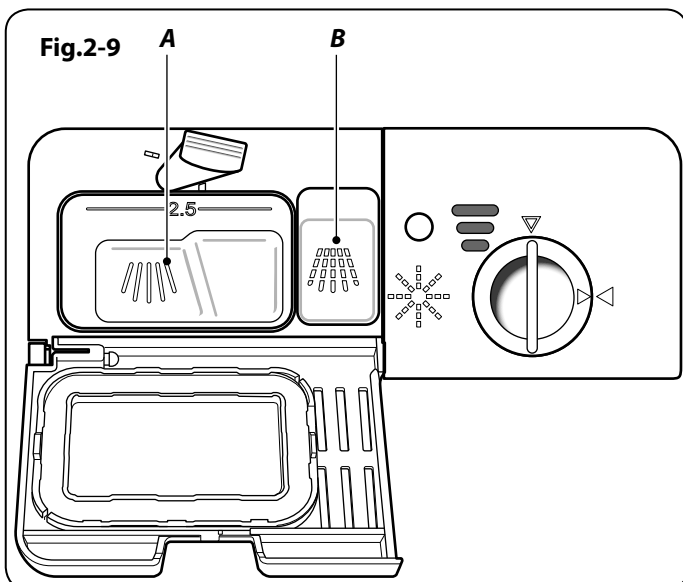
Loading the detergent

To load the detergent:

1. Open the cover on the dispenser by pressing the button (**Fig.2-8**).
2. Pour the detergent for the wash cycle into compartment 'A' (**Fig.2-9**).
3. Pour the detergent for the prewash cycle into compartment 'B' (**Fig.2-9**).
4. After the detergent has been placed in the dispenser, close the cover and press down until it clicks in place.

Note: To allow the cover to close properly, remove any excess detergent from the edges of the dispenser.

⚠ DO NOT use 3-in-1 or similar tablets when Heat Wash, Rapid Wash and Soak programmes are selected.



Detergent tablets explained

Classic Tabs

The tab contains Stain Soakers, which dissolve instantly to soften really dried on food residues such as baked on egg and cheese sauces.

The blue layer then works to break down and lift off food remains while the white layer cleans all traces of dirt away for a spotless and brilliant finish.

For best results, use with Rinse Aid and Special Salt.

Directions: Simply unwrap one tab and place in the detergent dispenser of your dishwasher. For best results, use with Rinse Aid and Special Salt.

3-in-1 Tabs

1. The blue layer contains powerful detergent and Red Stain Soaker speckles to soften and break down tough dried-on stains.
2. The white layer, with its integrated salt function, softens the water and prevents limescale whilst removing all traces of residue.
3. The 3-in-1 tabs contain a rinse aid ball to deliver a spotless, streak free brilliant shine.

Directions: Unwrap one tab and place in the detergent dispenser of your dishwasher. No need to add additional salt or rinse aid. The 3-in-1 tab's salt-action is effective in soft, medium and hard water up to 21dH (around 95% of households).

5-in-1 Tabs

1. The tablet is formulated with powerful detergent and red Stain Soaker speckles to help penetrate and break down the toughest baked-on and dried-on stains, even tea stains.
2. Using a rinse aid function, the tab is developed for a spotless, streak-free sparkling shine.
3. In the white layer of the tablet, the 5-in-1 tab's salt-action prevents limescale deposits in your machine that can result in residue on your glasses.
4. Protector Action helps prevent permanent glass corrosion, a source of cloudy glasses.
5. The tab gives extra cleaning power to help remove encrusted stains for a complete clean.

Directions: Simply unwrap one tab and place in the detergent dispenser of your dishwasher. The 5-in-1 tab's salt-action is effective in soft, medium and hard water up to 21dH (approximately 95% of households).

What you should not put into the dishwasher

Cutlery and tableware manufactured in whole or part from wood. They become faded and unsightly in appearance. Furthermore the adhesives that are used are not suitable for the temperature that occurs inside the dishwasher.

Delicate decorative glassware and vases, special antiques or irreplaceable china. The decorative patterns on such items will not be dishwasher-proof.

Plastic objects that are not resistant to hot water, copper and pewter utensils are also not suitable. Decorative patterns printed or painted onto the surface of crockery, glasses, etc., aluminium and silver items tend to become discoloured or faded if washed in the dishwasher.

Some types of glass can become opaque in appearance after they have been washed many times in a dishwasher. Highly absorbent materials, such as sponges and towels should never be placed in the dishwasher.

IMPORTANT: Dishes or cutlery that have been soiled by tobacco ash, wax, grease or paint, should not be put in the dishwasher.

Damage to glassware and other dishes

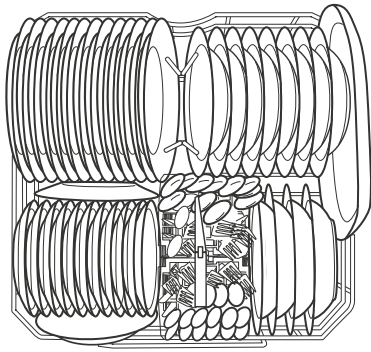
Possible causes

- Type of glass or manufacturing process
- Chemical composition of detergent
- Water temperature and duration of dishwasher programme.

Suggested remedy

- Use glassware or porcelain dishes that have been marked 'dishwasher-proof' by the manufacturer.
- Use a mild detergent that is described as 'kind to dishes'. If necessary, seek further information from detergent manufacturers.
- Select a programme with a low temperature and a short duration.
- To prevent damage, take glass and cutlery out of the dishwasher as soon as possible after the programme has ended.

Fig.2-10



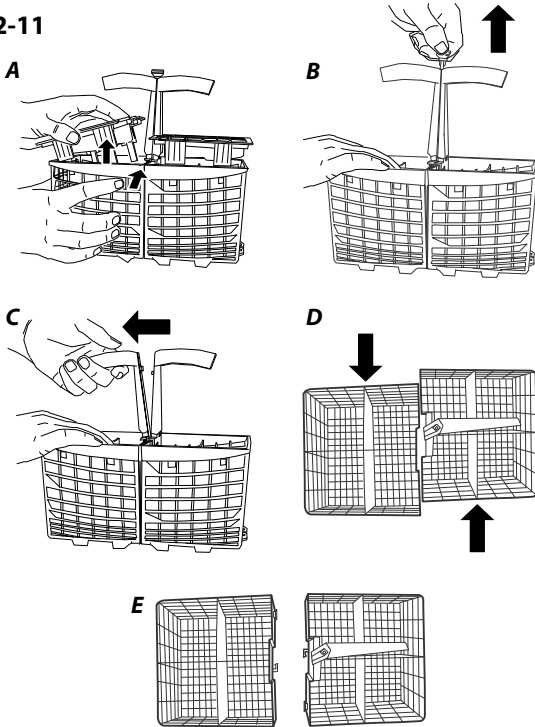
Arranging Crockery, Glasses, etc. in the Dishwasher

Before placing the dishes in the dishwasher, remove larger food particles to prevent the filter from becoming clogged, resulting in reduced performance.

If the pots and pans have baked-on food that is extremely hard to remove, we recommend that they are soaked before washed. This will eliminate the need for extra wash cycles.

Pull out the rack to load the dishwasher.

Fig.2-11



Using the lower rack

We recommend that you place the most difficult to clean items on the lower rack: pots, pans, lids, serving dishes and bowls (Fig.2-10).

It is preferable to place serving dishes and lids on the sides of the racks to avoid blocking the rotation of the top spray arm.

Pots, serving bowls, etc. must always be placed face down.

Deep pots should be slanted to allow the water to flow out.

The cutlery basket can be doubled (Fig.2-11) so that only one section may be used when the cutlery load is light. This also makes space for additional pots and pans and it can also be placed in the upper rack.

⚠ WARNING!

Knives and other utensils with sharp points must be loaded in the basket with their points down or placed in a horizontal position.

Using the upper rack

The upper rack is designed to hold more delicate and lighter dishware, such as glasses, cups and saucers, plates, small bowls and shallow pans (as long as they are not too dirty).

Position the dishes and cookware so that the spray of water does not move them.

The upper rack can be adjusted for height (Fig.2-12). Undo the retaining clips on the telescopic runners (A). Slide the rack out (B), refit on the lower wheels and push back along the runners (C). Close the retaining clips (D).

Adjust the upper basket to the higher level and you have more space to accommodate taller pans and trays in the bottom basket.

Shelf

Lean tall glasses and those with long stems against the shelf. DO NOT lean them against other items to be washed.

Place glasses, cups and small bowls on the additional cup rack. The additional cup rack can be swivelled in or out as required (Fig.2-13).

Knife rack

The knife rack clips onto the side of the top basket, giving you the freedom to wash your large sharp knives separately and out of harm's way (Fig.2-14).

Fig.2-12

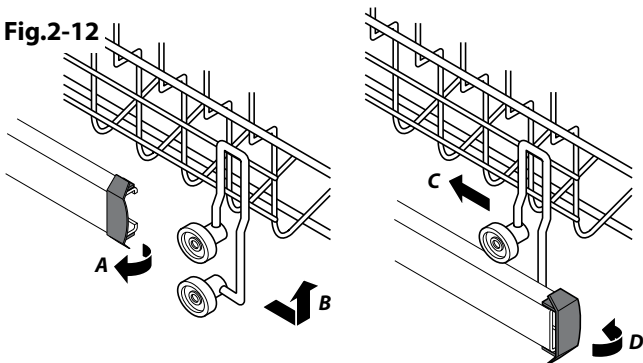


Fig.2-13

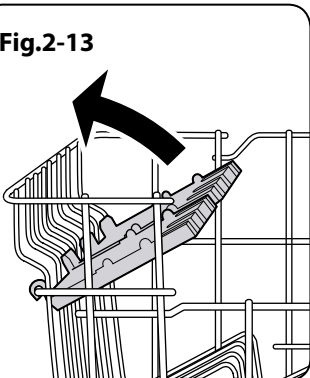
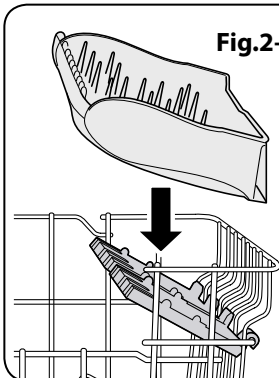


Fig.2-14



Programme Overview




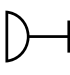


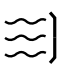
Wash programme	Types of crockery e.g. china, pots & pans, cutlery, glasses, etc.	Type of food remaining	Amount of food remaining	Condition of food remaining	Description of cycle	½ Load	Delayed start	Detergent		Rinse aid	Duration (mins)	Energy consumption (kWh)	Water consumption (l)
								Extended wash	Prewash				
 Intensive wash		Soups, casseroles, sauces, potatoes, pasta, rice, eggs, roast or fried food.	A lot.	Stuck on hard.	Prewash with hot water. Extended wash at 70°C. Rinse with cold water. Rinse with hot water. Drying.	-	◆	25g	5g	◆	122	1.44	18
								25g	5g		104	1.25	16
 Normal wash	Non-delicate				Prewash with cold water. Extended wash at 55°C. Rinse with cold water. Rinse with hot water. Drying.	-	◆	25g	5g	◆	102	1.11	15
								25g	5g		90	1.00	14
 Light wash		Soups, potatoes, pasta, rice, eggs, roast or fried food.	A little	Loosely attached.	Prewash with cold water. Extended wash at 50°C. Rinse with cold water. Rinse with hot water. Drying.	-	◆	25g	5g	◆	162	1.05	15
								25g	5g		144	0.95	13
 Glassware		Coffee, cakes, milk, sausage, cold drinks, salads.	Very little	Loosely attached.	Wash at 45°C. Rinse with warm water. Rinse with hot water. Drying.	-	◆	15g	-	◆	92	1.01	12
								10g	-		82	0.95	10
 Rapid wash	Mixed				Short wash at 40°C. Rinse with cold water.	-	◆	15g	-	-	31	0.40	9
								10g	-		29	0.30	8
 Soak		Rinse off if the dishes have been stacked for several days in the dishwasher prior to washing.			Short cold wash to prevent food residue from drying on the dishes.	-	◆	-	-	-	12	0.02	3
								-	-		12	0.02	3
 Heat wash		For dishes that need to be rinsed and dried only.			Rinse with hot water at 65°C. Drying.	-	◆	-	-	◆	55	0.90	5.5
								-	-		49	0.78	5

Table 2-2

Fig.2-15

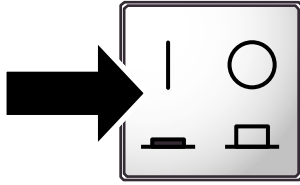
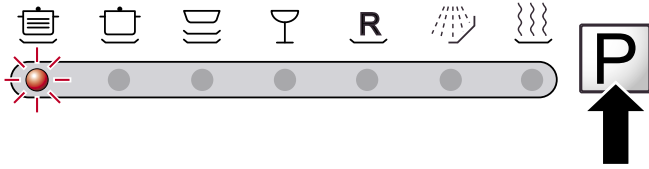


Fig.2-16



Washing Dishes

Programme selection

The most appropriate programme can be identified by comparing the type of crockery, cutlery, etc., as well as the amount and condition of food remains, with the details contained in **Table 2-2**, the wash cycle table.

The corresponding programme sequence, duration and consumption details are shown in the right half of the table.

Example: Use the normal programme for dishes and utensils that are heavily soiled.

Earn savings

If only a small number of dishes have been loaded into the dishwasher, selecting a programme that operates at the next lowest temperature will usually be sufficient.

Programme data

The stated programme data are based on standard operating conditions. The values can vary considerably according to:

- Different amounts of dishes
- Temperature of mains water supply
- Pressure of mains water supply
- Ambient temperature
- Fluctuations in mains voltage
- Machine-related factors (e.g. temperature, water volume)

Switching the dishwasher ON

1. Turn on the tap.
2. Open the door.
3. Set ON-OFF button to ON (**Fig.2-15**).
4. Press the programme button, the programme indicator lights (**Fig.2-16**).
5. If the door is closed, the programme indicator blinks and the programme will start automatically.

End of programme

Six beeps will indicate that the wash cycle has finished and all the programme indicators light.

Switching the dishwasher OFF

Several minutes after the programme has ended:

1. Open the door.
2. Set the ON-OFF button to OFF.
3. Remove dishes, etc. when they have cooled down.

Interrupting the programme

A cycle that is underway can be modified if it has only been running for a short time. Otherwise, the detergent may have already been used, and the appliance may have already drained the wash water. If this is the case the detergent dispenser must be refilled; see 'Loading the detergent'.

To cancel a programme that is underway, carefully open the door and press the programme button and hold it in for about 3 seconds.

⚠ Caution! There is a risk of water coming out from inside the appliance. DO NOT open the door fully until the spray arm has stopped rotating.

When you open the door, the dishwasher will beep ten times every thirty seconds.

If the appliance has already heated up or the hot water was switched ON and then the appliance door opened, leave the door ajar for several minutes and then close.

Delayed start programming

You can delay the start of a programme in increments of 2 hours up to 12 hours.

1. Switch dishwasher ON.
2. Immediately press the Delayed Start button (**Fig.2-17**), the delayed start indicator lights, the start time for the wash cycle can be delayed for 2, 4, 6, 8, 10 or 12 hours (**Fig.2-18**).
3. Press the Delayed Start button as many times as necessary until the numerical display shows the required delay.
4. To cancel the time delay setting, pressing the Delayed Start button until the delayed start indicator goes out.
5. Press programme button to choose the desired programme.
6. If the door is closed, the delay indicator will blink and the indicators will go out as the time counts down, the programme will start until the delayed start indicator goes out and the wash cycle begins.

½ Load Button

This function allows the dishwasher to wash dishes using only the upper rack if there are not enough dishes for a full load. This will allow you to save on water and energy consumption.

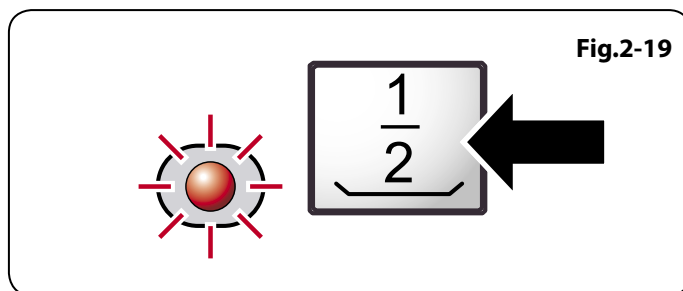
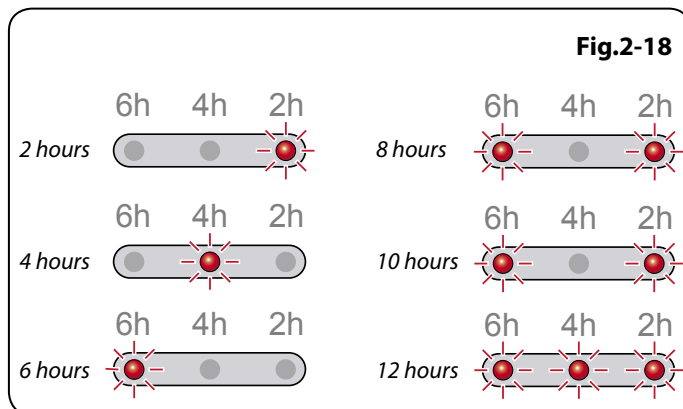
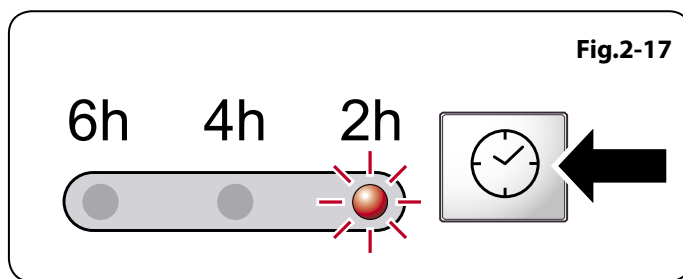
To select ½ load:

1. Select the programme and then press the ½ load button (**Fig.2-19**) – the ½ load indicator blinks.
2. Close the door. The programme starts automatically.

To cancel the ½ load

1. Open the door slightly.
2. Press the programme button and hold it in for about 3 seconds.

Please keep in mind that the amount of detergent should also be adapted to the ½ load.



Memory Function Module

If a power cut occurs while the selected washing program is active, the program is not cancelled. The controls use a microprocessor device to memorize the information about the selected washing program. Once the power is returned to the machine, the dishwasher will resume from the point it was interrupted.

Cancelling or modifying a washing program cycle

1. To modify or cancel a washing cycle it is necessary to reset the previous programming, by holding the programme button for at least 3 seconds. The buzzer will emit one short warning signal.
2. If the reset operation was successful, a drain phase will start. Once the drain phase has ended a new programme can be selected.

3. Looking after your Dishwasher

Care

After Every Wash

After every wash, set the ON-OFF button to OFF and leave the door slightly ajar so that moisture and odours are not trapped inside.

⚠ Before cleaning or performing maintenance isolate from mains.

Overall condition of appliance

Check that no grease or scale has accumulated on the inside of the dishwasher. If you discover any deposits: Clean the interior of the dishwasher thoroughly with a detergent solution.

Dishwasher salt

Check the LOW SALT indicator. Top up with salt, if required (**Fig.3-1**).

Rinse-aid

Check the LOW RINSE AID indicator (**Fig.3-2**), on the front panel. Top up with rinse-aid if required.

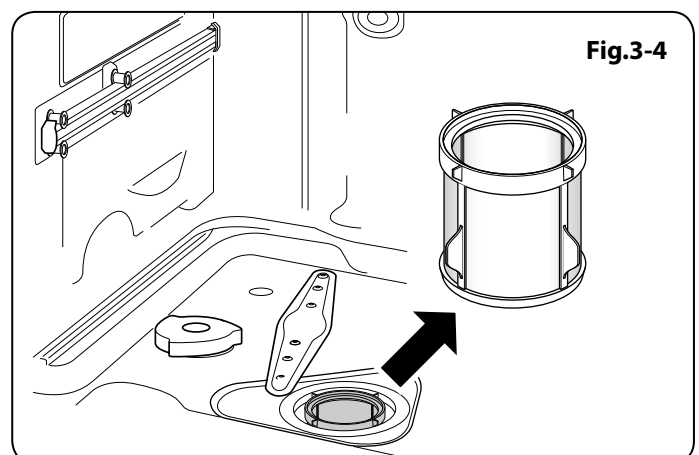
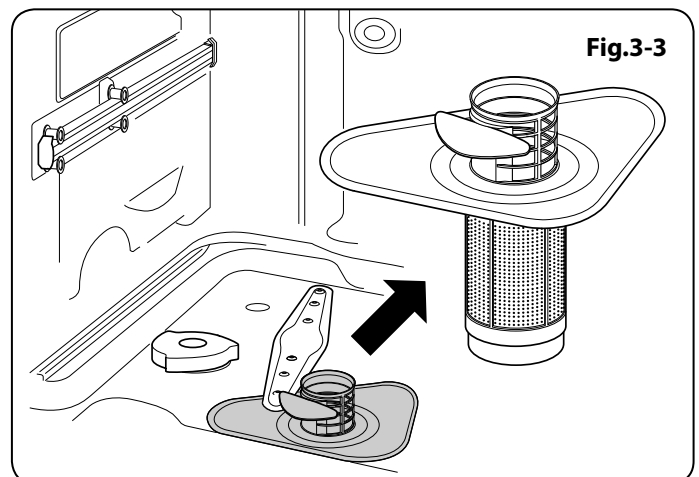
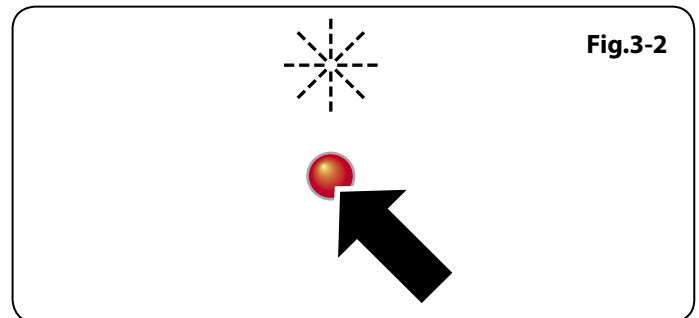
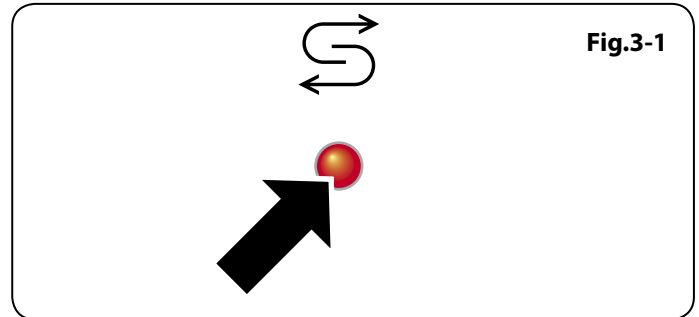
Filters

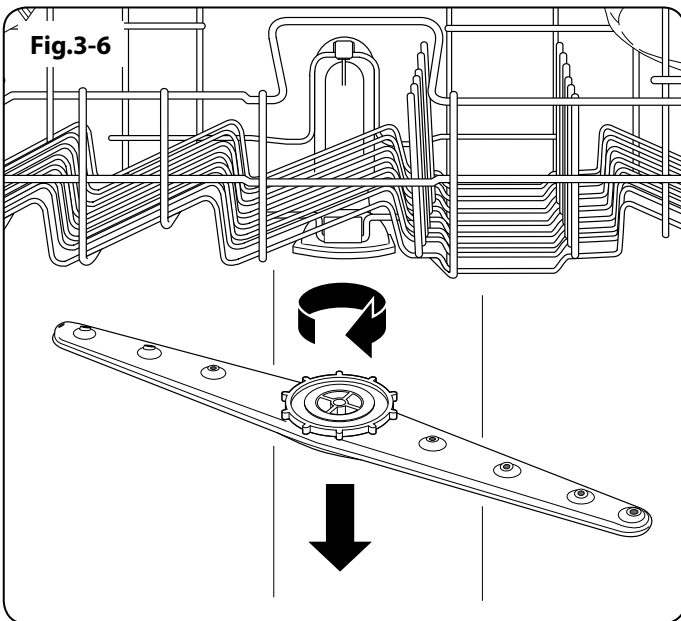
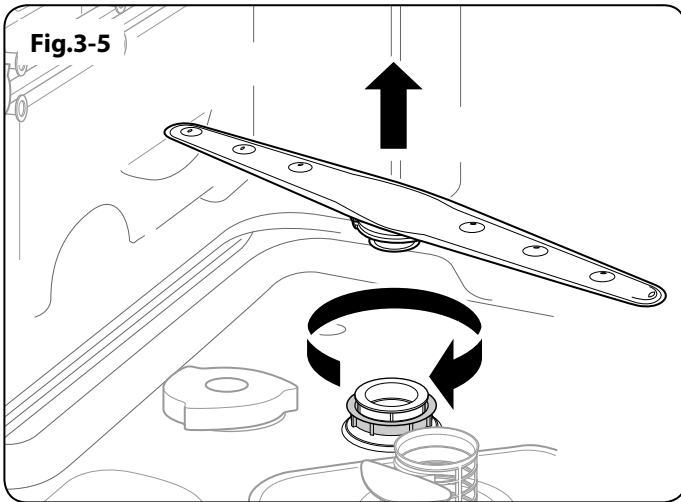
The filters prevent larger particles of food in the water from reaching the pump. These particles may occasionally block the filters.

When the appliance has finished washing, check the filters for particles of food and, if required, clean.

After undoing the coarse micro-filter (**Fig.3-3**), the filter unit can be removed (**Fig.3-4**). Remove any particles of food and rinse the filters under running water.

Insert the filter unit and tighten the coarse micro-filter.





Spray arms

Limescale and remnants of food in the washing water can block the nozzles in the spray arms and the arm mountings.

Inspect the nozzles in the spray arms for blocked holes due to remnants of food.

If necessary, pull the lower arm (**Fig.3-5**) upwards and lift it off. Unscrew the upper spray arm (**Fig.3-6**).

Clean both spray arms under running water.

▲ Refit the spray arms. Ensure that the lower arm has locked into place and the upper one is screwed tight.

Solvents or Abrasive Cleaning Products

To clean the exterior and rubber parts of the dishwasher, do not use solvents or abrasive cleaning products. Rather, use only a cloth and warm soapy water.

To remove spots or stains from the surface of the interior, use a cloth dampened with water and a little white vinegar or a cleaning product made specifically for dishwashers.

Moving the Appliance

If the appliance must be moved, try to keep it in a vertical position. If absolutely necessary, it can be positioned on its back.

Seals

One of the factors that cause odours to form in the dishwasher is food that remains trapped in the seals. Periodic cleaning with a damp sponge will prevent this from occurring.

When You Go on Holiday

When you go on holiday, it is recommended that you run a wash cycle with the dishwasher empty and isolate from the mains. Turn off the water supply and leave the door of the appliance slightly ajar. This will help the seals last longer and prevent odours from forming within the appliance.

4. Troubleshooting

Resolving minor problems yourself

Experience has shown that you can resolve most problems that occur during normal daily usage yourself, without having to call out a service engineer. Not only does this save costs but it also means that the appliance is available to use. The following list of common occurrences and their remedies should help you identify the causes of most problems.

Problems when the unit is switched on

Appliance does not start up

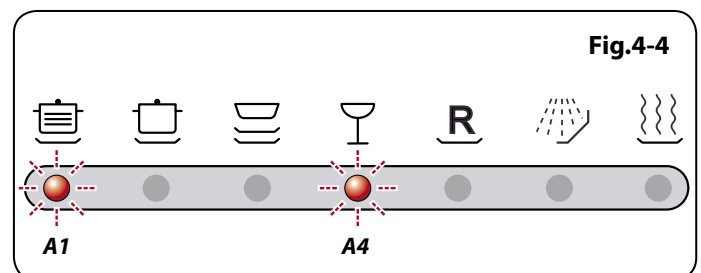
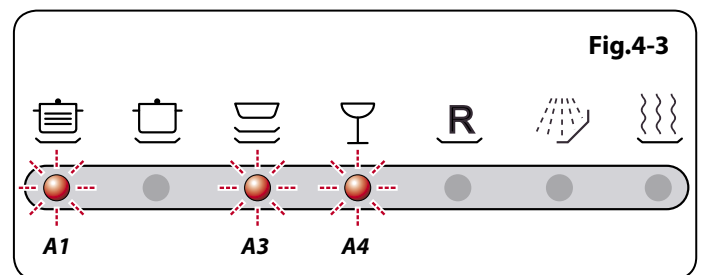
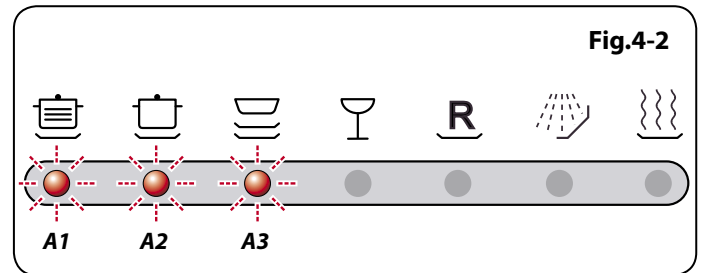
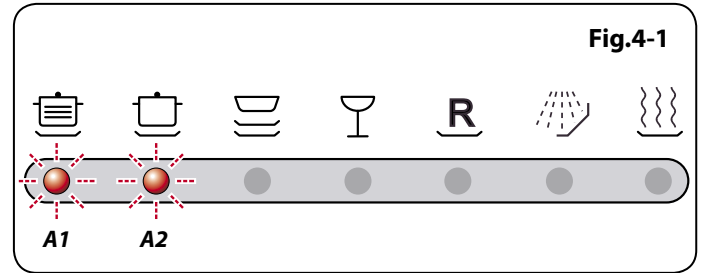
- Fault with fuse in mains electricity supply.
- Plug not inserted in wall socket.
- Appliance door not closed properly.
- Programme button has not been pressed. Water tap not turned on.
- Blocked strainer in water intake hose.

⚠ Caution: Remember that repairs should only be carried out by a suitably qualified specialist. Improper repairs can lead to considerable equipment damage as well as danger to the user.

Problems with the appliance

Error display on the programme indicator

- When the programme indicators **A1** and **A2** blink (**Fig.4-1**). Have you checked if the door is closed properly?
- When the programme indicators **A1**, **A2** and **A3** blink (**Fig.4-2**). Have you checked if: the water is turned on and the hose is connected properly; the water supply to the house is on and has sufficient pressure; the water supply hose is crimped or bent, or the filter for the water supply hose is clogged; the drain hose is too low.
- When the programme indicators **A1**, **A3** and **A4** blink (**Fig.4-3**). Have you checked if: the drain hose is crimped or bent, or the drain hose is too high?
- When the programme indicators **A1** and **A4** blink (**Fig.4-4**). Have you checked if the drain hose is too low?
- If, after these checks the dishwasher still does not function or has any other error displayed, press the programme button and hold it in for about 3 seconds, then press the ON-OFF button to OFF. Wait a few minutes then turn the dishwasher back on and try again. If the dishwasher still does not function and/or the problem persists, contact the nearest authorized service centre and provide them with the following information:
 1. The nature of the problem.
 2. The model type number (Mod...) and serial number (S/N...), as indicated on the plate located on the side of the inner part of the door.



Lower spray arm rotates with difficulty

- The spray arm is blocked by small items or food remains.

Lid in detergent compartment cannot be closed

- Detergent compartment has been overfilled.
- Mechanism is clogged with remnants of detergent.

Indicator lamps do not extinguish after washing has finished

- The ON-OFF button is still set to ON.

Remnants of detergent stuck inside dispenser

- Compartment was damp when it was filled up with detergent. Compartment must be dry before detergent is added.

Water remains inside appliance after programme has ended

- Blockage or kind in drainage hose. Pump is jammed.
- Filters are blocked.
- The programme is still running. Wait for the programme to end.

Problems during washing

Unusual amount of foam

- Normal washing up liquid has been poured into the rinse-aid container.
- Excess amount of rinse aid. Remove any spilled rinse aid with a cloth as it could otherwise lead to excessive foaming during the next washing cycle.

Appliance stops suddenly while washing is taking place

- Electricity supply to appliance has been cut off.
- Water supply has been interrupted.

Knocking sound can be heard while washing is taking place

- A spray arm is knocking against the dishes inside the appliance.

Rattling sound can be heard while washing is taking place

- Crockery has not been stacked properly inside the appliance.

Knocking sound coming from inlet valves

- This is caused by the way the water pipes have been laid and it has no effect upon the way the appliance functions.

Problems with the dishes, cutlery, etc.

Remnants of food are stuck to the dishes, cutlery etc.

- Dishwasher was not loaded properly. Jets of water could not reach all parts of the dishes, etc.

- Too many items in the rack.
- Items in the rack were touching each other.
- Not enough detergent was added to dispenser.
- Selected wash programme was not intensive enough.
- Rotation of spray arm obstructed by dishes, etc.
- Nozzles in spray arm are blocked by remnants of food. Filters are blocked.
- Filters have been incorrectly fitted.
- Waste water pump is jammed.

Plastic items are discoloured

- Not enough detergent was added to dispenser.
- Detergent has insufficient bleaching properties. Use a detergent containing a chemical bleaching agent.

White stains are left on crockery and glasses have a milky appearance

- Not enough detergent added to the dispenser compartment. Amount of rinse-aid set too low.
- Although water is quite hard, no salt has been put in appliance. Water softener set too low.
- Lid on salt container not screwed tight.
- If you use a phosphate-free detergent, try a detergent containing phosphates and compare results.

Dishes, cutlery, etc. have not been dried

- Selected programme did not include drying function. Amount of rinse-aid set too low.
- Items were removed from dishwasher too soon.

Glasses have a dull appearance

- Amount of rinse-aid set too low.
- Tea stains or traces of lipstick have not been completely removed
- Detergent does not have a sufficient bleaching effect. Washing temperature set too low.

Traces of rust on cutlery

- Cutlery is not rustproof.
- Salt content in washing water is too high.
- Lid on salt container not screwed tight.
- Salt spilt while filling container.

Glasses become clouded and discoloured; coating cannot be wiped off

- Unsuitable detergent was used. Glasses are not dishwasher-proof.

Smears left behind on glasses and cutlery; glasses have acquired a metallic appearance

- Amount of rinse-aid set too high.

5. Installation

Positioning the Dishwasher

The dishwasher should be aligned to the front of the adjacent cabinets, with allowance made for the door thickness. The dishwasher has water supply and drain hoses that can be positioned on either to the left or the right.

Before installing the dishwasher into a kitchen cabinet, holes must not be drilled into the sides, or door, to avoid compromising the performance and operation of the appliance.

A plastic self-adhesive anti-condensation strip is supplied with the dishwasher. Fix the strip to the underside of the worktop, along the front edge (**Fig.5-1**).

Connect up the cold water supply, the drain hose and the electrical connections (see below) then slide the dishwasher into the cabinet opening. Make sure the unit sits on the plastic skids supplied.

Cold Water Connection

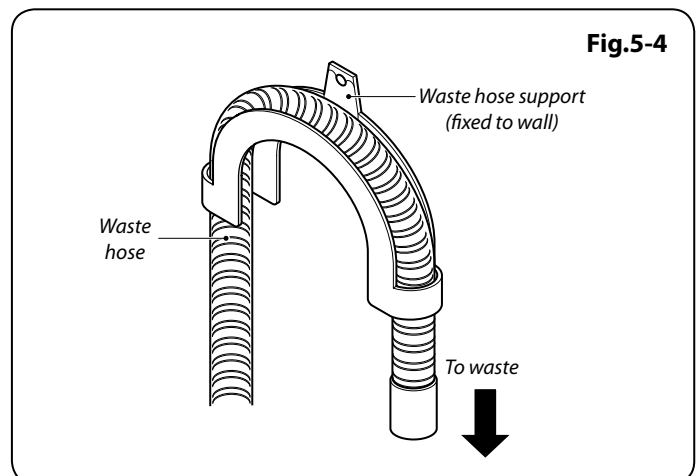
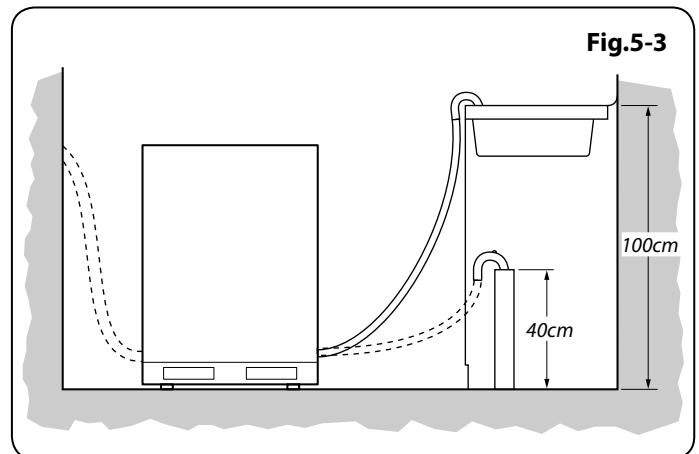
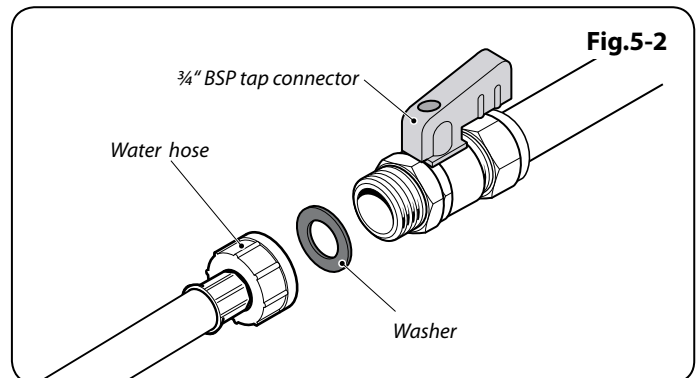
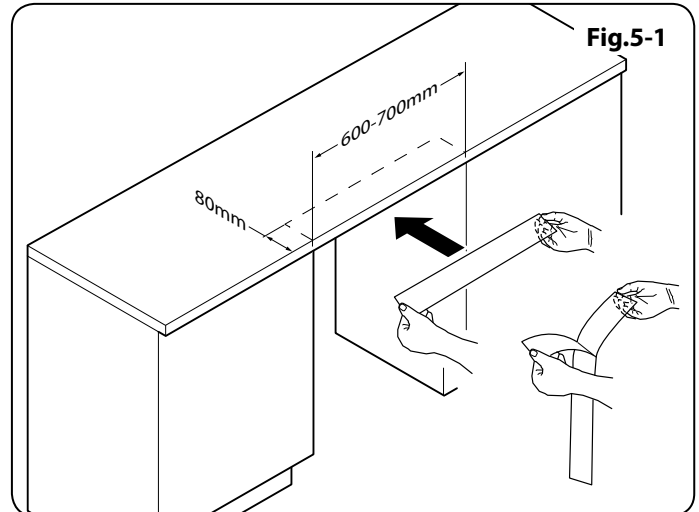
Connect the water supply hose (supplied loose) to the cold water inlet at the rear. Connect the other end to a $\frac{3}{4}$ " BSP tap connector (**Fig.5-2**). Make sure that the washers are in place and that it is fastened securely in place.

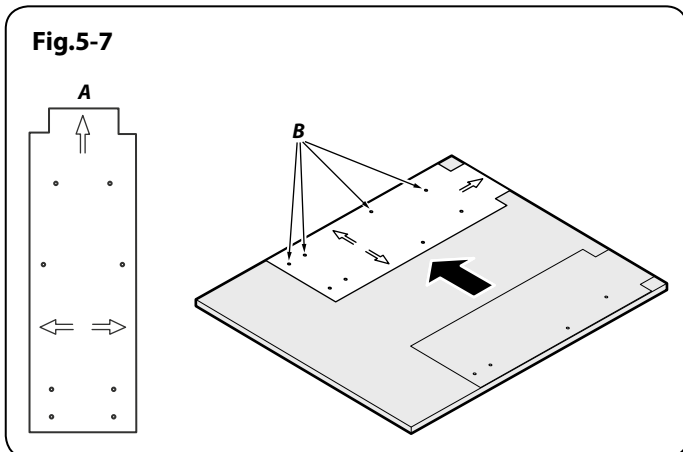
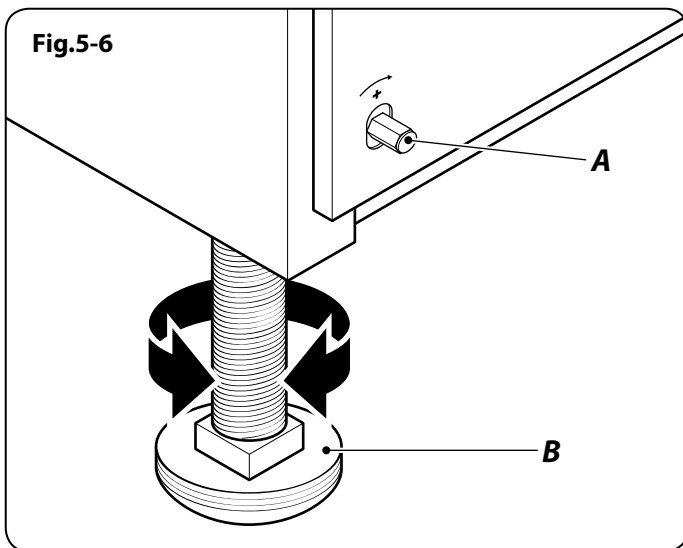
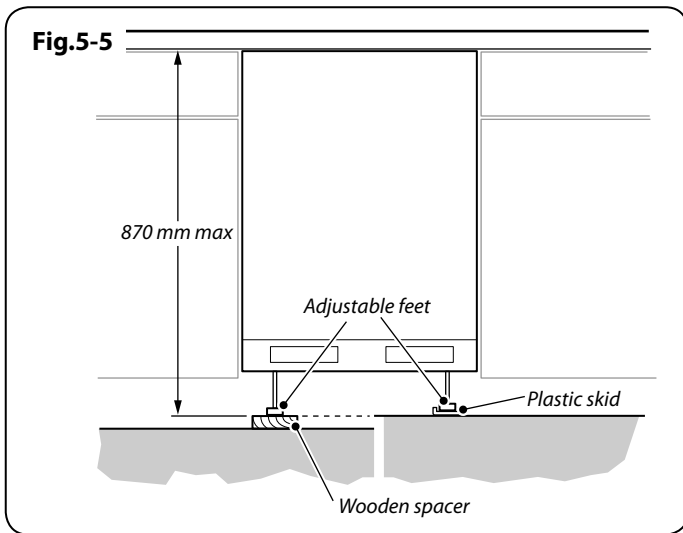
IMPORTANT: If the water pipes are new or have not been used for an extended period of time, run the water for a while to make sure that the water is clear and free of impurities **BEFORE** connecting to the dishwasher. Failure to carry out this precaution may lead to the water inlet becoming blocked and causing damage the appliance.

Drain Hose Connection

Connect the drain hose the water outlet. Insert the hose into a drainpipe with a minimum diameter of 40 mm, or let it run into a sink, making sure to avoid bending or crimping. If necessary, fit a siphon trap (U-bend) with a connecting piece. The free end of the hose must be at a height of between 40-100 cm and must not be immersed in water (**Fig.5-3**).

⚠ WARNING! The connecting piece for the siphon trap (U-bend) must be solidly fastened to the wall to prevent the drain hose from moving and allowing water to spill outside the drain (**Fig.5-4**).





Electrical Connection

The dishwasher must be installed by a qualified electrician, in accordance with all relevant British Standards/Codes of Practice (in particular BS 7671), or with the relevant national and local regulations.

⚠ WARNING: THIS APPLIANCE MUST BE EARTHED

All external wiring must comply with the IEE Regulations for the Electrical Equipment of Buildings. Connection to the electrical supply can be made with either a plug and socket or be permanently wired via a double pole switch. The dishwasher is supplied with a 3-core cable.

Should the plug not fit the socket in your home, it should be removed and replaced with a suitable plug.

Note: If the plug is fitted is not suitable, it must be cut off and disposed of properly. To avoid the risk of electrocution, the plug must not be left where children might find it and plug it into a supply socket.

Three pin plugs to BS 1363 with a capacity of not less than 13A must be used and fitted with a 13 amp fuse 'ASTA' approved to BS 1362.

After replacing the fuse the cover must be refitted. If the cover is lost, the plug must not be used until a replacement cover has been obtained from your supplier. The colour of the correct fuse carrier is that of the coloured insert in the base of the fuse recess, or stated elsewhere on the plug. Always state this colour when ordering a replacement fuse carrier.

IMPORTANT: The wires in the mains lead are coloured in accordance with the following code:

Green and yellow:	EARTH
Blue:	NEUTRAL
Brown:	LIVE

⚠ Caution: The dishwasher plug must be accessible even when the appliance is installed as a built-in unit so that maintenance can be carried out safely.

Care for the external cable

- Hold the plug, not the electrical cable, when unplugging the dishwasher.
- Make sure that the dishwasher does not trap the electric cable.
- Do not step on the cable.
- Avoid damage to the electric cable when moving the dishwasher.

Damaged electrical cable

If the electrical cable is damaged or worn, switch off the dishwasher and consult an authorized agent for replacement.

Levelling the Dishwasher

When the unit is in position, adjust the feet to level the dishwasher. In any circumstance, the dishwasher should not be inclined more than 2° otherwise the performance may be affected.

The adjustable feet allow the dishwasher to be raised up to 870 mm. If the space between the floor and the underside of the work surface is more than 870 mm, the unit should be positioned on suitable wooded spacers that should be fixed to the floor (**Fig.5-5**).

Always use a spirit level to make sure that the appliance is level left-to-right and front-to-back. If the appliance is installed on carpet, ensure that there is clearance beneath the appliance.

Adjust the feet to raise and level the dishwasher to the correct height (**Fig.5-6**). Using the tool supplied, adjust the rear feet via the studs 'A' at the front of the appliance. Adjust the front feet 'B' using the spanner provided.

To prevent damage to the floor surface, install the appliance on the plastic skids supplied.

Fitting the Decor Door

Fixing the door panel fittings

Place the template supplied on the back face of the door panel. Align the top of the template, as identified by the 'A' arrow, with the top of the door and align the side of the template with the left-hand edge of the door (**Fig.5-7**). Using a pencil or bradawl, mark the positions of the holes closest the door panel edge.

Repeat this step for the right-hand side of the door panel using the other side of the template.

Align a mounting bracket with the two marks on the lower left-hand part of the panel. Mark the remaining hole in the top of the bracket (**Fig.5-8**) and then remove. Repeat for the other side.

At the points marked, carefully drill 2mm holes to a maximum depth of 10mm. Take care not to drill through to the front face of the door panel.

Position the two brackets on the panel, with the tab facing downwards. Using the screws supplied, fix the brackets to the panel.

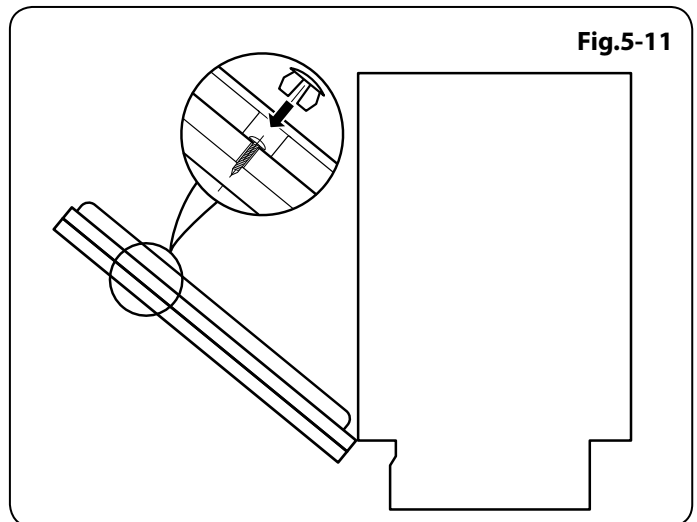
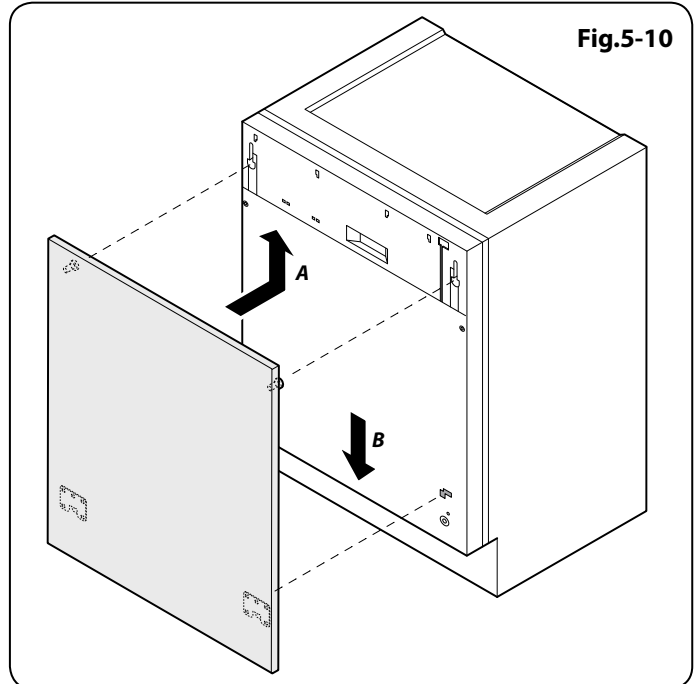
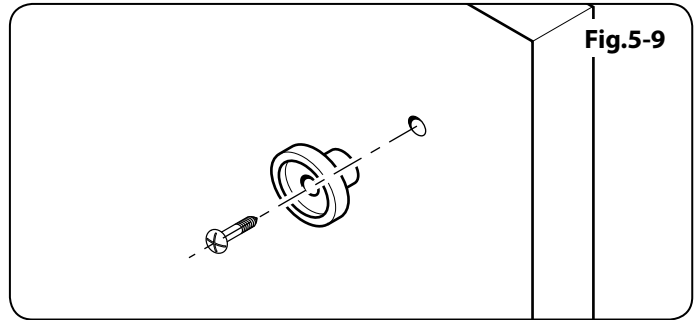
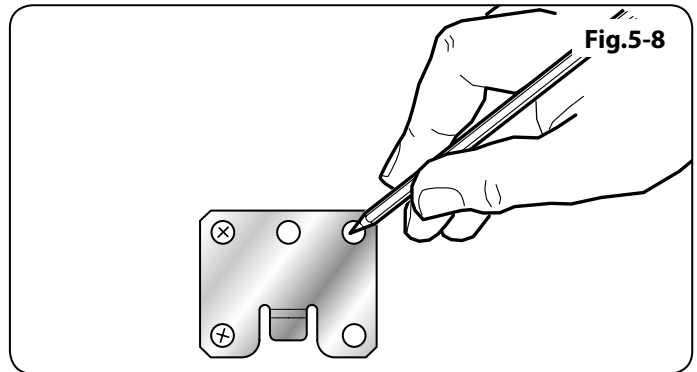
Secure the two plastic hooks to the holes at the top of the panel (**Fig.5-9**).

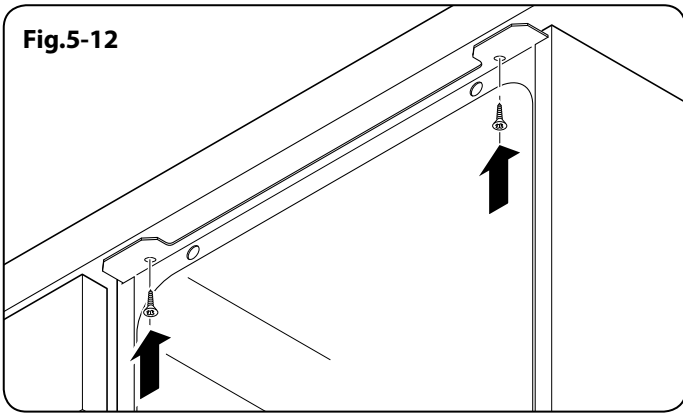
Mounting the door panel to the dishwasher

Insert the top plastic hooks into the slots on the dishwasher front 'A'. Carefully slide the panel up the channels until it stops. Slide the panel downwards 'B', moving the bottom of the panel door so that the bracket tabs locate into the slots in the dishwasher front (**Fig.5-10**).

Align the top of the door panel with the adjacent cabinets. Gently open the dishwasher door while supporting the door panel. Secure the door panel using the screws supplied (**Fig.5-11**). Cover the screw heads using the plastic caps provided.

Note: If you have difficulties fitting the door (for example, if doors are already fitted to adjoining cabinets) then pull the dishwasher out slightly to allow for easier access for the door tabs. With the door fitted, push the appliance back into position.

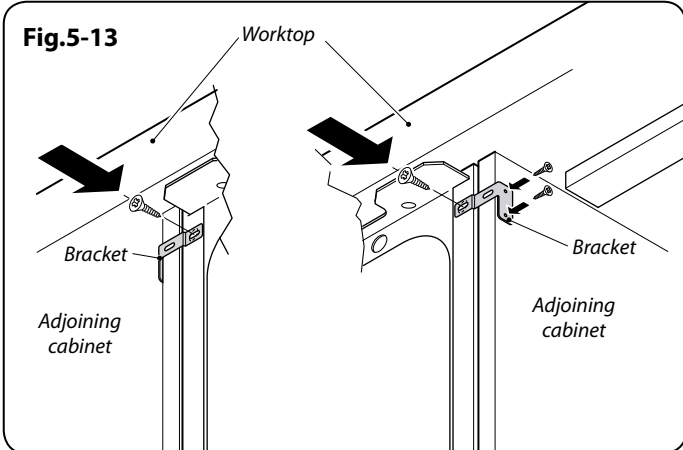




Securing the Dishwasher

Using the two screws supplied, secure the dishwasher to the underside of the worktop (**Fig.5-12**).

For non-wooden worktops (e.g. marble) two brackets are provided to allow the appliance to be secured to the sides of the adjacent cabinets. Secure the appliance using the two screws at the top of the chassis (**Fig.5-13**); adjust to the correct width and then screw to the adjacent side panels using suitable screws.

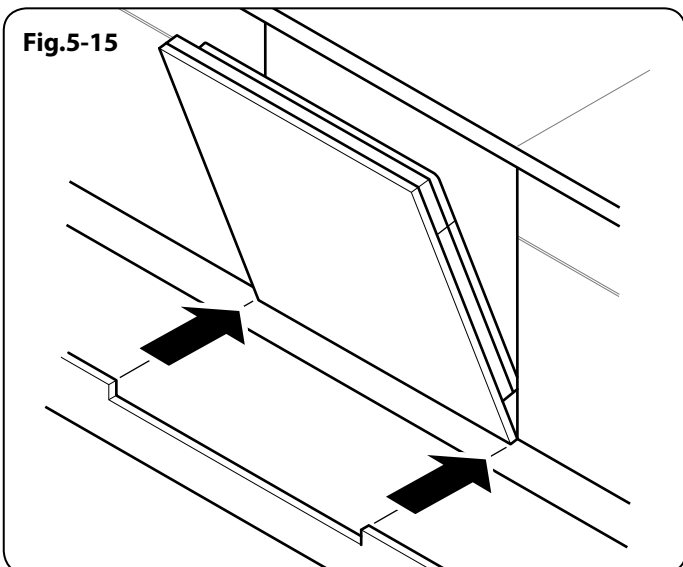
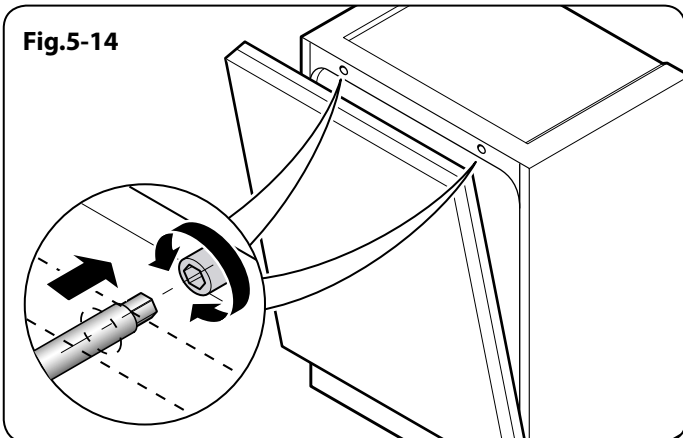


Adjusting the Door Springs

The door balance can be adjusted via two nuts accessed through the two holes in the top of the front frame (**Fig.5-14**). Using the tool supplied, adjust these until the door remains just open under its own weight and is level when open.

Fitting the Plinth

Cut clearance in the plinth to allow the door to fully open and seal edges with a suitable silicon sealant to prevent water ingress (**Fig.5-15**).



6. General Information

Measures must be taken to ensure that the units that are subsequently re-sited as freestanding appliances cannot topple over. This can be achieved by bolting the dishwasher to the wall or fitting it under a continuous work surface, that is screwed to the adjacent cupboards.

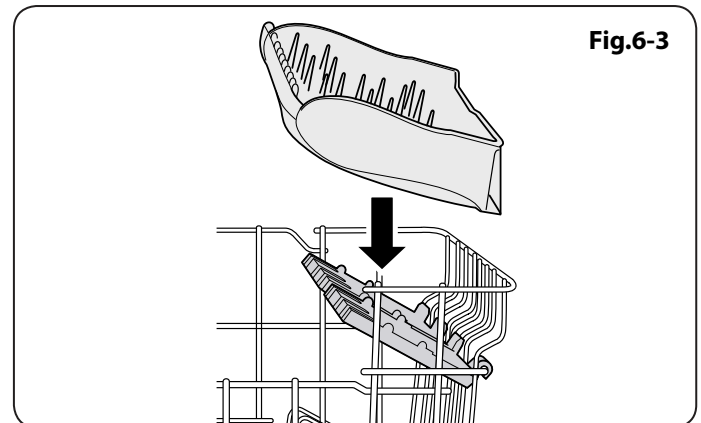
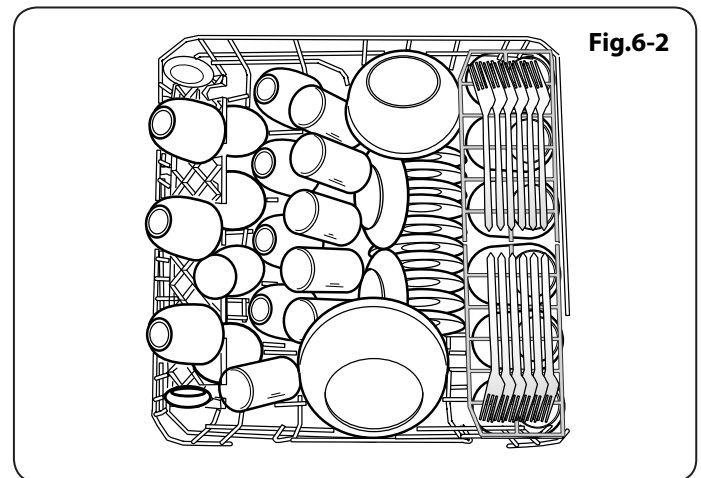
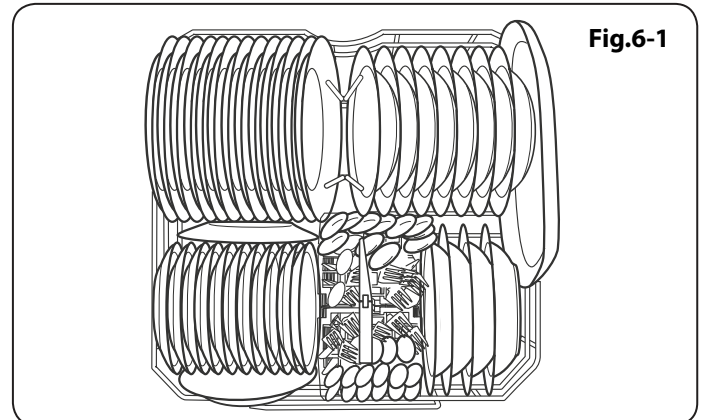
Information on comparability tests implemented in compliance with EN 50242

Appliance loaded in accordance with standard specifications.

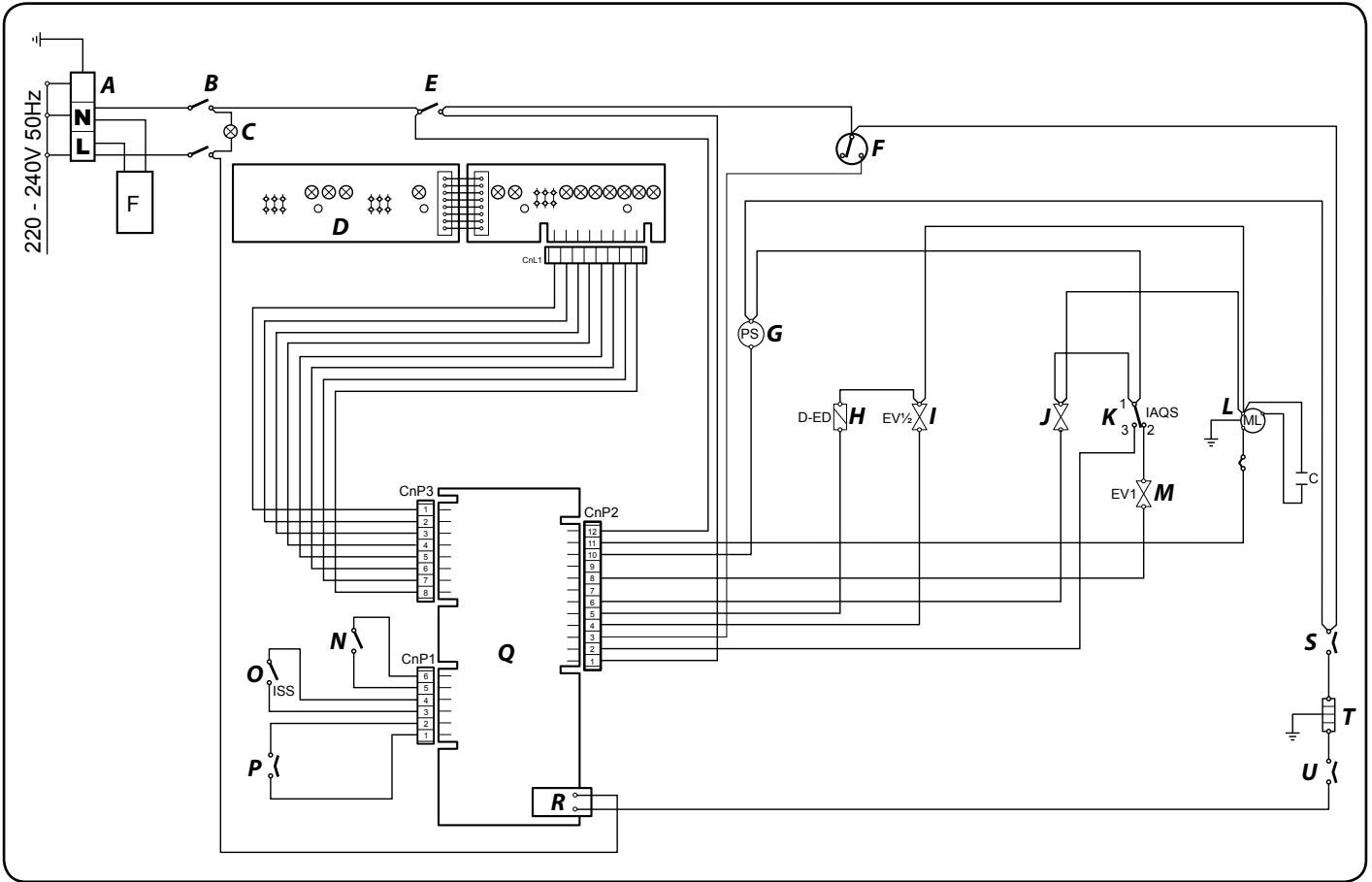
Example of loaded dishwasher: See **Figs.(6-1), (6-2)** and **(6-3)**.

Capacity:	12 place settings
Comparability programme:	Light wash
Rinse-aid setting:	5
Detergent:	25g +5g

Height adjustable top-basket must be inserted in the uppermost position. If the comparability tests do not fully comply with EN 50242, e.g. degree of soiling, type of dishes and cutlery, etc. contact the appliance manufacturer before starting the test.



7. Circuit Diagram



Code	Description
A	Wiring box
B	Power switch
C	Power indicator
D	Display panel
E	Door switch
F	Water level switch
G	Drain pump
H	Dispenser valve
I	½ load valve
J	Softener valve
K	Overflow switch

Code	Description
L	Washing pump
M	Inlet valve
N	Rinsing agent missing switch
O	Salt missing switch
P	Temperature sensor
Q	Control panel
R	Relay
S	Temperature limiter
T	Heater
U	Temperature limiter

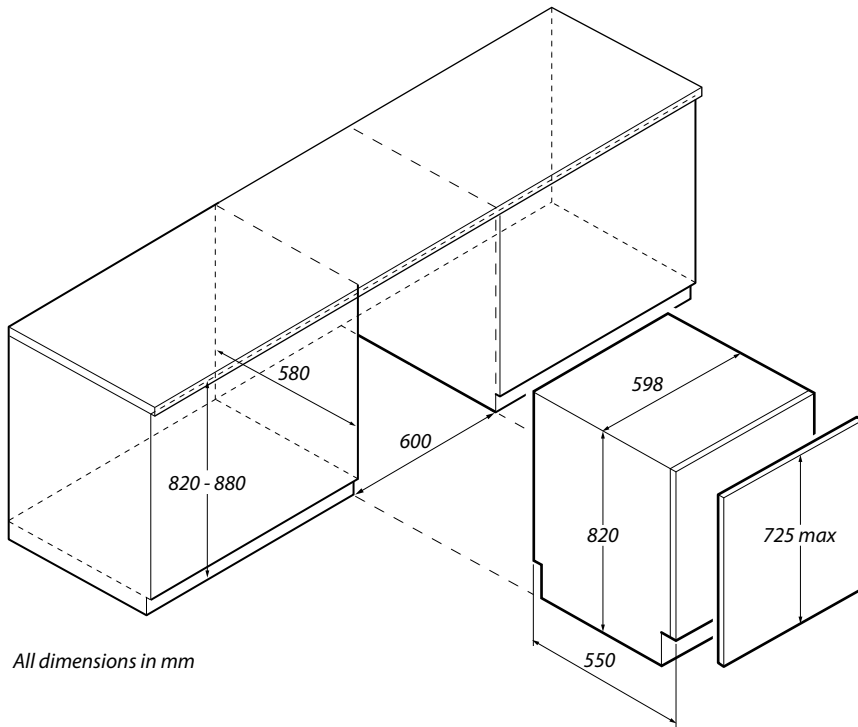
8. Technical Data

INSTALLER: Please leave these instructions with the user.

DATA BADGE LOCATION: Inside face on the side of the door.

COUNTRY OF DESTINATION: GB/IE

Dimensions



All dimensions in mm

Connections

Electric	220 – 240V 50Hz
----------	-----------------

Ratings

Energy efficiency class on a scale of A (more efficient) to G (less efficient)	A
Standard cycle used	Light wash
Energy consumption	1.05kWh
Cleaning performance class	A
Drying performance class	A
Capacity	12 place settings
Water consumption	15 litres
Estimated annual consumption	Energy: 231kWh; Water: 3300 litres
Noise level	52dB
Maximum rated current	10A
Maximum total electric load at 230V	1.95kW

RANGEmaster

Clarence Street, Royal Leamington Spa,
Warwickshire, CV31 2AD, England.
Tel: +44 (0) 1926 457400 Fax: +44 (0) 1926 450526
E-mail: consumers@rangemaster.co.uk
www.rangemaster.co.uk

