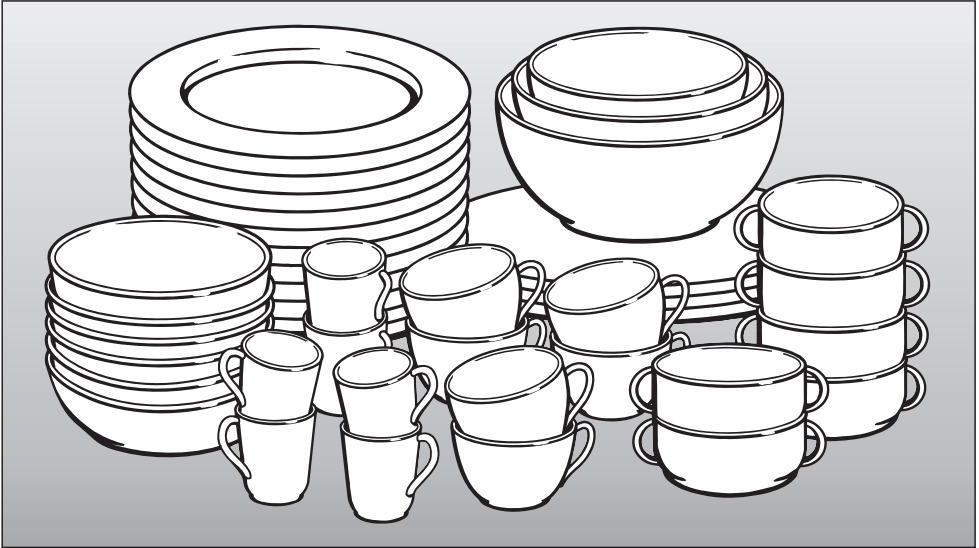


Miele

Operating and installation instructions



Built-in system drawer ESS 3060-10

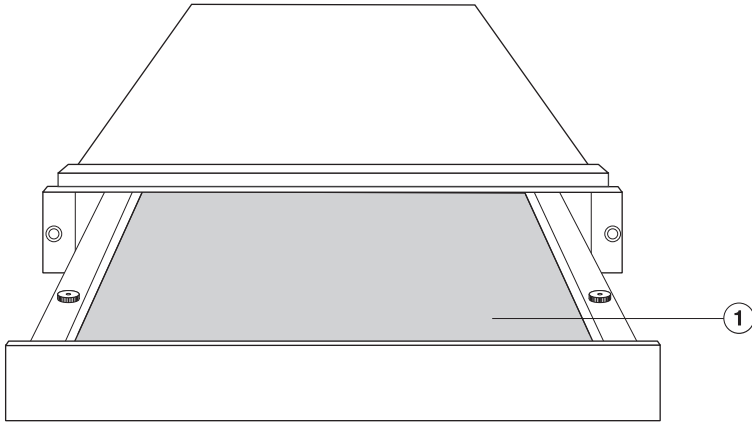
To avoid the risk of accidents or damage to the appliance it is **essential** to read these instructions before it is installed and used for the first time

en - GB

M.-Nr. 07 241 620

Contents

| | |
|--|----|
| Guide to the appliance | 3 |
| Warning and Safety instructions | 4 |
| Caring for the environment | 5 |
| Operation | 6 |
| How the appliance works | 6 |
| To open and close the drawer | 6 |
| Capacity | 7 |
| Cleaning and care | 8 |
| Appliance front and interior | 8 |
| Anti-slip mat | 9 |
| Optional accessories | 10 |
| Building-in combinations | 11 |
| Installation | 12 |
| After sales service, data plate | 13 |



① Anti-slip mat

Warning and Safety instructions

To avoid the risk of accidents and damage to the appliance, please read these instructions carefully before using it for the first time. They contain important notes on its installation, safety, use and maintenance.

Keep these instructions in a safe place for reference, and pass them on to any future user.

► This appliance is intended for domestic use only, and must only be used as described in these instructions. Any other usage is at the owner's risk and could be dangerous. The manufacturer cannot be held liable for damage resulting from incorrect or improper use or operation.

► The drawer may only be built in combination with the following Miele appliances:

- DG 3450 / 3460 steam ovens
- CVA 3650 / 3660 coffee machines

► For safety reasons, this machine may only be used when it has been fully installed.

► This appliance is intended for domestic use only and is not to be used for commercial purposes.

► Do not store cooked food in the drawer. The moisture in the food can lead to corrosion in the appliance.

► In countries where there are areas which may be subject to infestation by cockroaches or other vermin, pay particular attention to keeping the appliance and its surroundings in a clean condition at all times. Any damage which may be caused by cockroaches or other vermin will not be covered by the guarantee.

► Do not sit or lean on the opened drawer. This can damage the telescopic runners. The drawer has a maximum load bearing capacity of 15 kg.

► Repairs may only be carried out by a service technician authorised by the manufacturer. Repairs and other work by unqualified persons could be very dangerous and invalidate the guarantee.

► The appliance is only intended for use by adults who have read these instructions.

► This appliance is not a toy! To avoid the risk of injury, keep children well away and do not let them play with it. They should be supervised whenever you are working in the kitchen.

► Packaging, e.g. cling film, polystyrene and plastic wrappings, must be kept out of the reach of babies and young children. Danger of suffocation. Dispose of or recycle all packaging safely as soon as possible.

Disposal of the packing material

The transport and protective packing has been selected from materials which are environmentally friendly for disposal, and can normally be recycled.

Ensure that any plastic wrappings, bags, etc. are disposed of safely and kept out of the reach of babies and young children. Danger of suffocation.

Dispose of or recycle all packaging materials safely as soon as possible. Rather than just throwing these materials away, please ensure that they are recycled.

Disposal of your old appliance

Appliances often contain materials which can be recycled. Please do not therefore dispose of it with your household waste.

Please dispose of it at your local community waste collection/recycling centre, and ensure that it presents no danger to children while being stored for disposal.

Operation

Please stick the extra data plate for the appliance supplied with this documentation in the space provided in the "After sales service" section of this booklet.

How the appliance works

The drawer is designed for storing crockery in only.

Do not store food or drinks in it, as moisture in the food or drinks could cause corrosion damage to the drawer.

The base of the drawer is fitted with a non-slip mat which stops crockery sliding about when the drawer is opened and closed.

To open and close the drawer

The drawer can be opened and closed by pressing lightly in the middle of the drawer front.

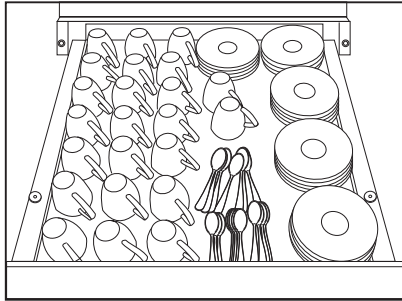
Capacity

The quantity that can be loaded will depend to a great extent on the type and size of your crockery.

The layouts shown here are suggestions only.

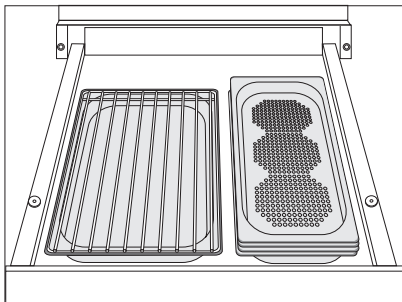
The maximum load bearing capacity of the drawer is 15 kg.

Combining the drawer with a CVA 3650 or CVA 3660 coffee machine



- 24 espresso cups Ø 6 cm, plus saucers and spoons
- or
- 15 cappuccino cups Ø 8 cm, plus saucers and spoons

Combining the drawer with a DG 3450 or DG 3460 steam oven



- 1 condensate tray (GN 1/2)
- 2 cooking containers (GN 1/3)
- 1 rack

Cleaning and care

Under no circumstances use a steam cleaning appliance to clean this appliance. The steam could cause lasting damage to the surface material and other components for which the manufacturer cannot be held liable.

Only use domestic washing up liquid to clean this appliance; commercial cleaning products are not suitable, and may damage the appliance.

Appliance front and interior

Remove any soiling immediately.
If not, it might become impossible to remove and could cause the outer surface to alter or discolour.

Clean the front using a Miele microfibre E-cloth or with a clean sponge and a solution of hot water and washing-up liquid. Then dry with a soft cloth.

The external surfaces of this appliance are all susceptible to scratching. Scratches on glass surfaces could even cause a breakage.

Contact with unsuitable cleaning agents can alter or discolour the outer surfaces.

To avoid damaging the surface of your appliance, do not use:

- cleaning agents containing soda, ammonia, acids or chlorides,
- cleaning agents containing descaling agents,
- abrasive cleaning agents, e.g. powder cleaners and cream cleaners,
- solvent-based cleaning agents,
- stainless steel cleaning agents,
- dishwasher cleaner,
- oven sprays,
- glass cleaning agents,
- hard, abrasive sponges and brushes, e.g. pot scourers,
- sharp metal scrapers.

Anti-slip mat

The anti-slip mat can be removed for cleaning.

- Clean the anti-slip mat by hand using warm water and a little washing up liquid, and then dry with a cloth.

Do not put the anti-slip mat back into the drawer until it is completely dry.

Do not wash the anti-slip mat in a dishwasher or washing machine.

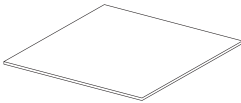
Never place the anti-slip mat in the oven to dry.

Optional accessories

These can be ordered via the internet at www.miele-shop.com, or from the Miele Customer Contact Centre (see back cover for contact details) or from your Miele dealer.

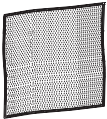
Anti-slip mat

Anti-slip mat to keep crockery secure



E-Cloth (microfibre cloth)

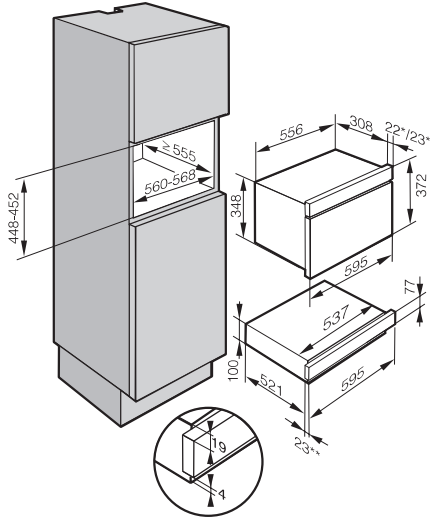
Removes finger marks and light soiling.



Building-in combinations

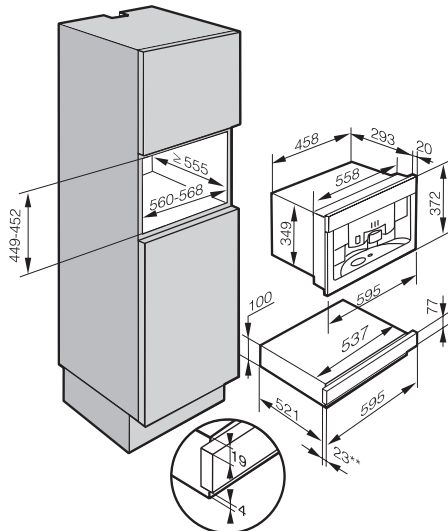
The drawer may only be built in in combination with the following Miele appliances:

DG 3450 and DG 3460 steam ovens



* Appliances with glass front / **Appliances with metal front

CVA 3650 and 3660 coffee machines



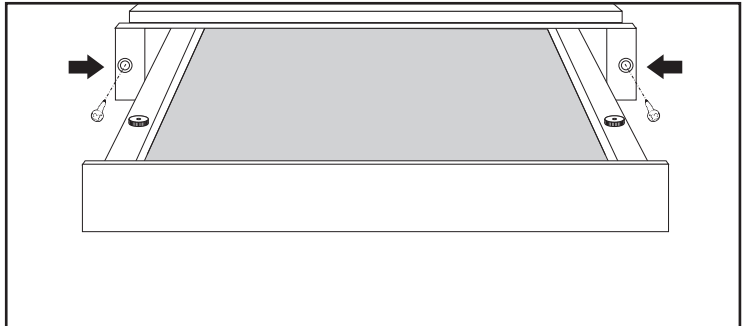
Installation

It is essential to read the operating and installation instructions for any other appliance fitted in combination with the drawer.

The niche dimension required will depend on which appliance the drawer is combined with.

The combination appliance is placed directly on top of the built-in drawer. An interim shelf is not required.

A fixed shelf in the housing which can take the weight of both appliances is necessary.



- Push the appliance into the housing unit as far as it will go, and align it.
- Open the drawer, and use the 2 screws supplied to secure the appliance to the side walls of the housing unit.
- Build in the combination appliance in accordance with its own specific operating and installation instructions.

After sales service, data plate

In the event of any faults which you cannot remedy yourself, or if the appliance is under guarantee, please contact:

– your Miele Dealer

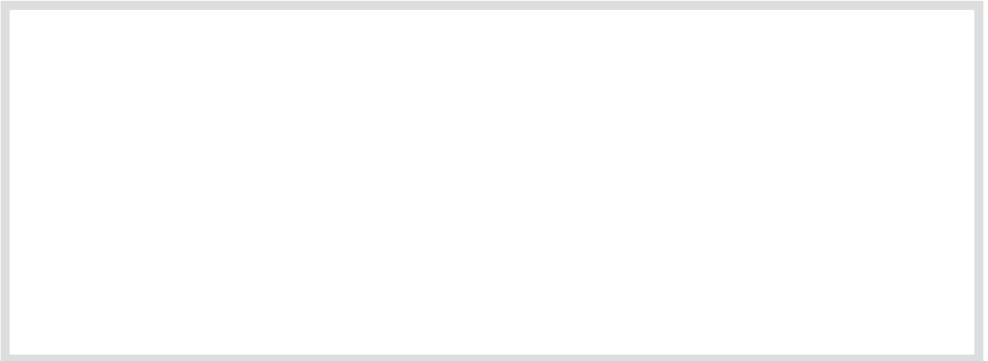
or

– the Miele Customer Contact Centre (see back cover for address).

Please note that telephone calls may be monitored and recorded to improve our service.

When contacting Miele, please quote the model and serial number of your appliance, which are given on the data plate.

Space in which to stick the extra data plate supplied with the appliance. Ensure that the model number is the same as the one on the front of these instructions.



**United Kingdom:**

Miele Co. Ltd.
Fairacres, Marcham Road
Abingdon, Oxon, OX14 1TW
Tel.: (01235) 554455
Fax.: (01235) 554477
Customer Contact Centre Tel.: (08707) 554466
E-mail: info@miele.co.uk
Internet: www.miele.co.uk

Ireland:

Miele Ireland Ltd.
Broomhill Road, Tallaght, Dublin 24
Tel: (01) 46 10 710, Fax: (01) 46 10 797
Email: info@miele.ie
Internet: http://www.miele.ie

Australia:

Miele Australia Pty. Ltd.
A.C.N. 005635398
1 Gilbert Park Drive, Knoxfield, VIC 3180
Telephone: (03) 9764 7130
Fax: (03) 9764 7149
Internet: www.miele.com.au

Distributor New Zealand:

Steelfort Engineering Company. Ltd.
500 Rangitikei Street, Palmerston North
Telephone: (06) 350 1350
Fax: (06) 356 1507

South Africa:

Miele (Pty) Ltd
63 Peter Place, Bryanston 2194
P.O. Box 69434, Bryanston 2021
Tel.: (011) 548 1900
Telefax (011) 548 1935
E-mail: info@miele.co.za
Internet: www.miele.co.za

Singapore:

Miele Southeast Asia
Miele Pte. Ltd.
163 Penang Road
04 - 02/03 Winsland House II
Singapore 238463
Tel : +65-67351191
Fax: +65-67351161
Email: infosea@miele.com.sg
Internet: www.miele.sg

Hong Kong:

Miele (Hong Kong) Limited
AIA Plaza, 24th Floor
18 Hysan Avenue
Causeway Bay
Hong Kong
Tel.: (852) 2610 1331
Fax: (852) 2610 1013
E-mail: mielehk@miele.com.hk

Miele Shanghai Rep. Office

Room 4105 - 6, 41st Floor
Plaza 66, 1266 Nan-Jing Road/ West
Shanghai 200040
China
Tel.: +86 21 6288 4200
Fax: +86 21 6288 4100
E-mail: mieleshanghai@cn.miele.com