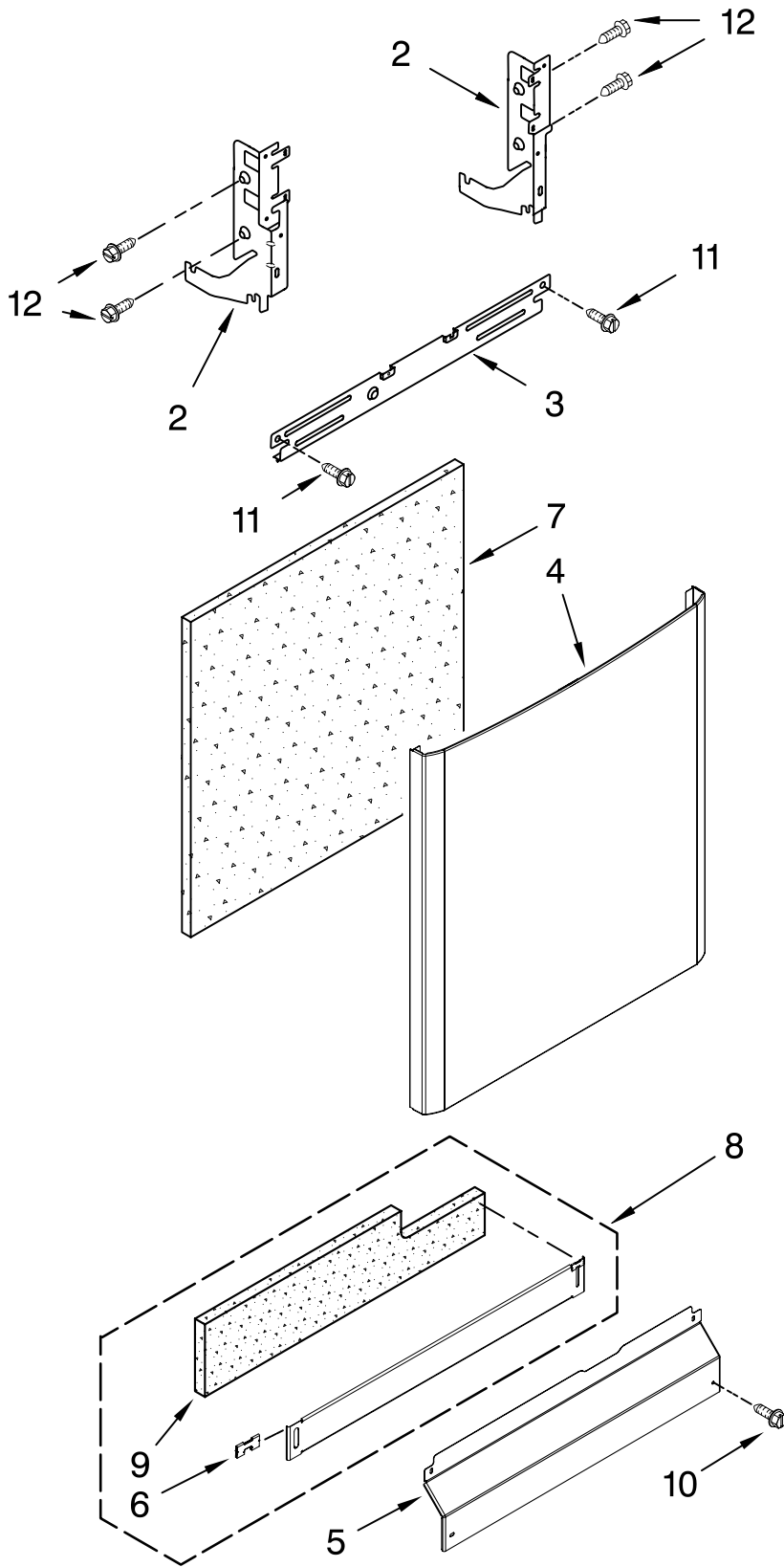
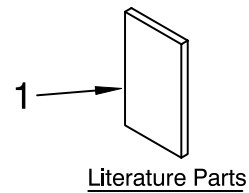


For Models: MDB7809AWB0, MDB7809AWW0, MDB7809AWQ0, MDB7809AWM0  
(Black) (White) (Biscuit) (Monochrome)



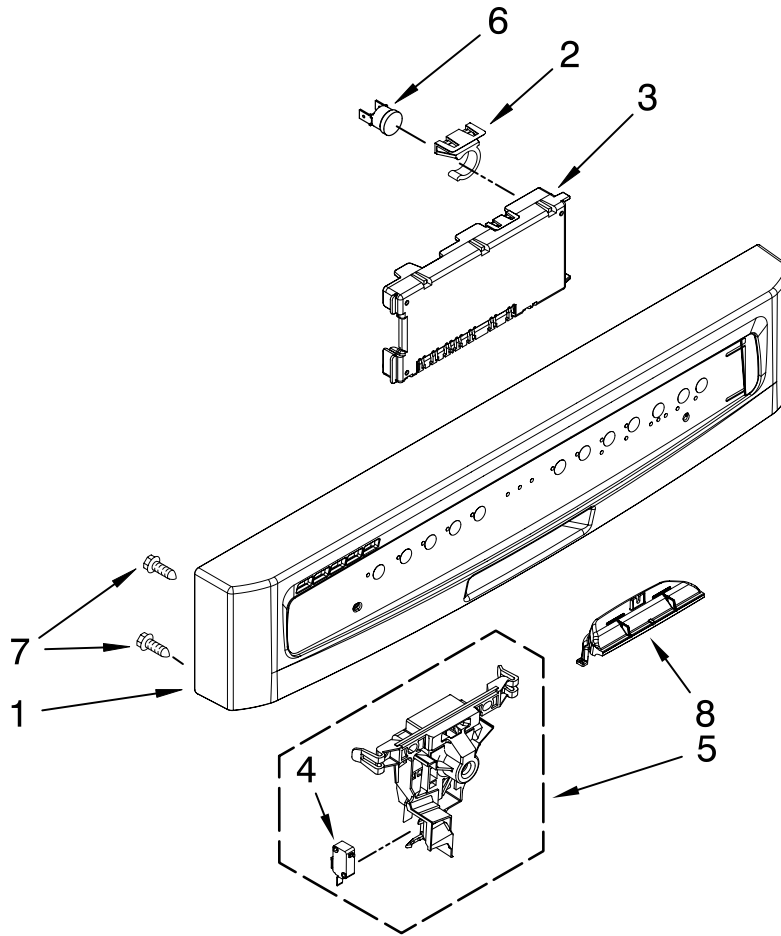
Illus. No.	Part No.	DESCRIPTION
1	W10199707	Literature Parts Instructions, Installation
	W10199660	Energy Guide
	W10199658	Guide, Use & Care English/French
	W10199659	Guide, Use & Care Spanish
	W10142800	Tech Sheet
2		Arm, Hinge
	8534854	Left
	8534853	Right
3	8268983	Stiffener, Door
4		Panel Front
	W10199758	Black
	W10199759	White
	W10199760	Biscuit
	W10199761	Stainless
5		Access Panel
	8573255	Black
	8573256	White
	8573257	Biscuit
6	8269016	Clip, Grounding
7	W10073520	Insulation, Door
8		Toe Panel (Includes Item 9)
	W10205336	Black
	W10205337	White
	W10205338	Biscuit
9	W10073540	Insulation, Toe Panel
10		Screw
	302868	Black
	3400836	White
11	304392	Screw
12	3400071	Screw



FOR ORDERING INFORMATION REFER TO PARTS PRICE LIST

# CONTROL PANEL PARTS

For Models: MDB7809AWB0, MDB7809AWW0, MDB7809AWQ0, MDB7809AWM0  
 (Black) (White) (Biscuit) (Monochrome)

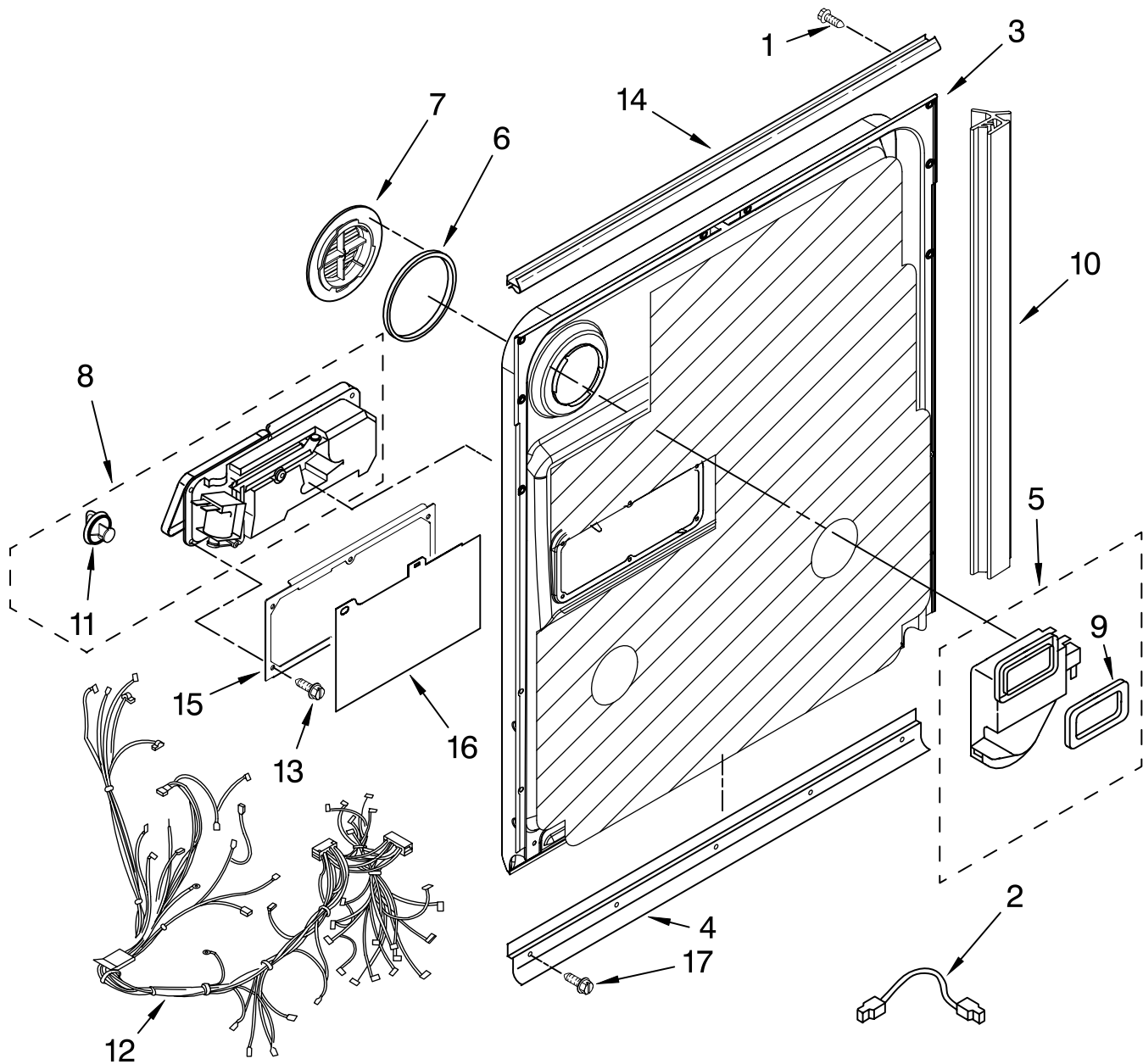


Illus. No.	Part No.	DESCRIPTION
1		Console Asm. (Includes Active Overlay & Insert)
	W10199784	Black
	W10199785	White
	W10199786	Biscuit
	W10199787	Monochrome
2	8546546	Clip, BI-Metal
3	W10208674	Control Electronic
4	8269209	Switch, Door
5	W10077360	Latch Assembly
6	661663	Bi-Metal
7	3369051	Screw
8		Handle, Latch
	W10205889	Black
	W10205890	White
	W10205891	Biscuit

FOR ORDERING INFORMATION REFER TO PARTS PRICE LIST

# DOOR AND LATCH PARTS

For Models: MDB7809AWB0, MDB7809AWW0, MDB7809AWQ0, MDB7809AWM0  
 (Black) (White) (Biscuit) (Monochrome)



Illus. No.	Part No.	DESCRIPTION
1	3369051	Screw, Door
2	8545608	Harness, Vent Motor
3	W10056249	Inner Door Mastic Assembly
4	8268937	Inlet, Air
5	W10164259	Vent Assembly
6	8269259	Gasket, Vent

Illus. No.	Part No.	DESCRIPTION
7	8545536	Deflector, Vent (Also Order Item 6)
8	W10199696	Dispenser, Assembly
9	8269258	Seal, Front
10	8574160	Seal, Side
11	W10199683	Cap, Rinse Aid

Illus. No.	Part No.	DESCRIPTION
12	W10078202	Wiring Harness Main
13	W10177098	Screw
14	8535660	Seal, Console/door
15	8535637	Bracket, Dispenser
16	8531865	Shield, Dispenser
17	8281217	Screw

FOR ORDERING INFORMATION REFER TO PARTS PRICE LIST

# FILL, DRAIN AND OVERFILL PARTS

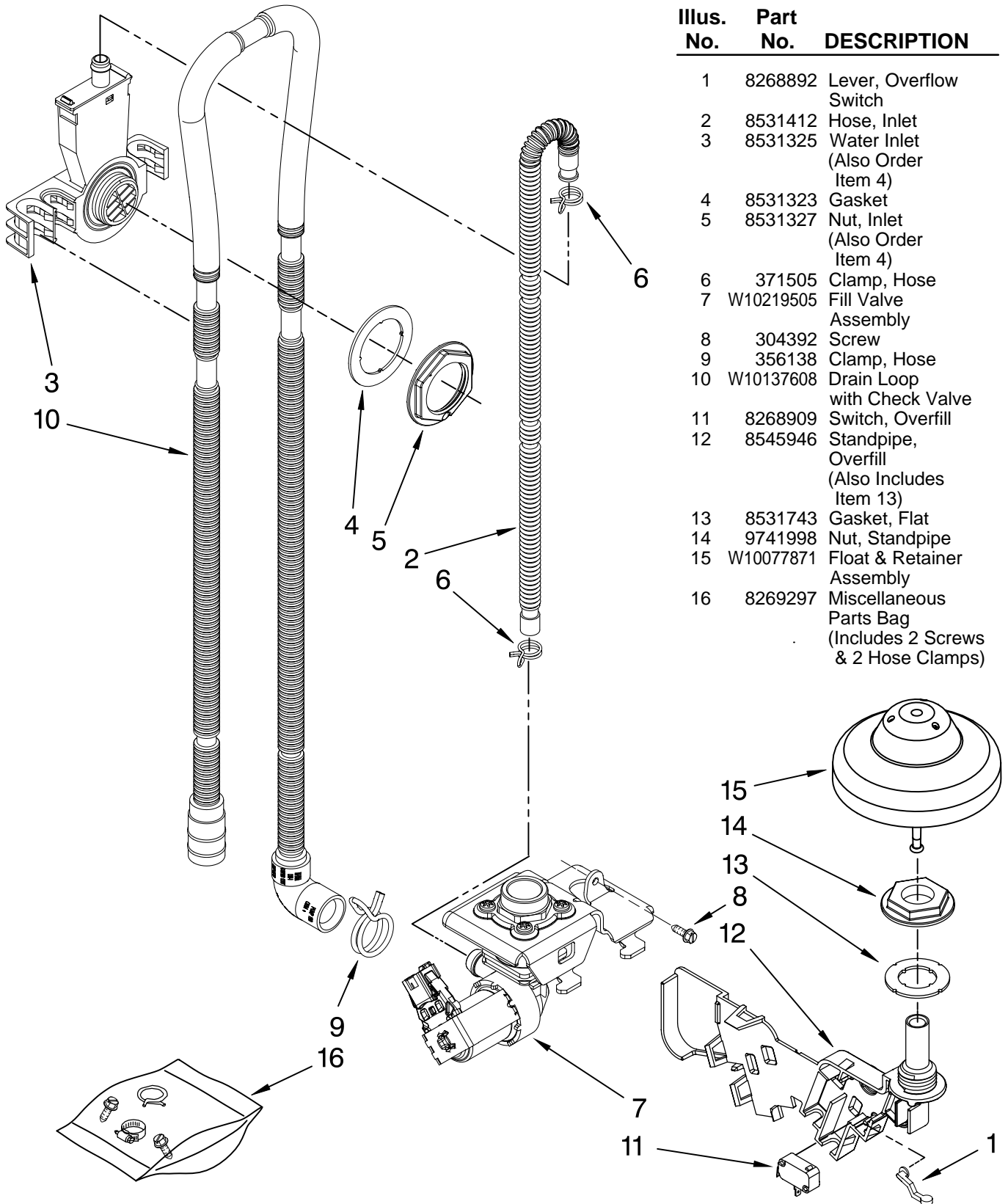
For Models: MDB7809AWB0, MDB7809AWW0, MDB7809AWQ0, MDB7809AWM0

(Black)

(White)

(Biscuit)

(Monochrome)

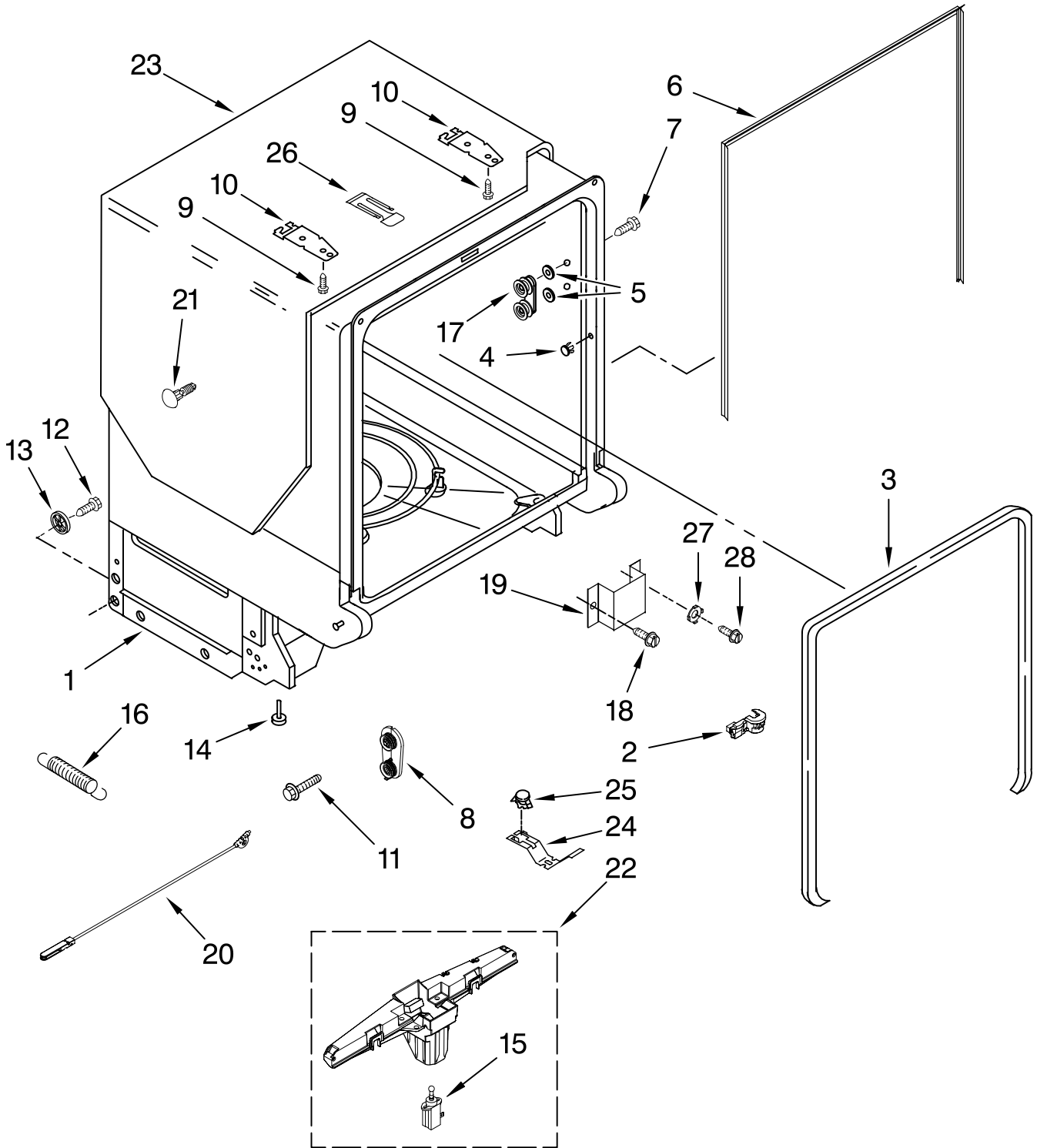


Illus. No.	Part No.	DESCRIPTION
1	8268892	Lever, Overflow Switch
2	8531412	Hose, Inlet
3	8531325	Water Inlet (Also Order Item 4)
4	8531323	Gasket
5	8531327	Nut, Inlet (Also Order Item 4)
6	371505	Clamp, Hose
7	W10219505	Fill Valve Assembly
8	304392	Screw
9	356138	Clamp, Hose
10	W10137608	Drain Loop with Check Valve
11	8268909	Switch, Overflow
12	8545946	Standpipe, Overflow (Also Includes Item 13)
13	8531743	Gasket, Flat
14	9741998	Nut, Standpipe
15	W10077871	Float & Retainer Assembly
16	8269297	Miscellaneous Parts Bag (Includes 2 Screws & 2 Hose Clamps)

FOR ORDERING INFORMATION REFER TO PARTS PRICE LIST

# TUB AND FRAME PARTS

For Models: MDB7809AWB0, MDB7809AWW0, MDB7809AWQ0, MDB7809AWM0  
(Black) (White) (Biscuit) (Monochrome)



FOR ORDERING INFORMATION REFER TO PARTS PRICE LIST

# TUB AND FRAME PARTS

For Models: MDB7809AWB0, MDB7809AWW0, MDB7809AWQ0, MDB7809AWM0

(Black)

(White)

(Biscuit)

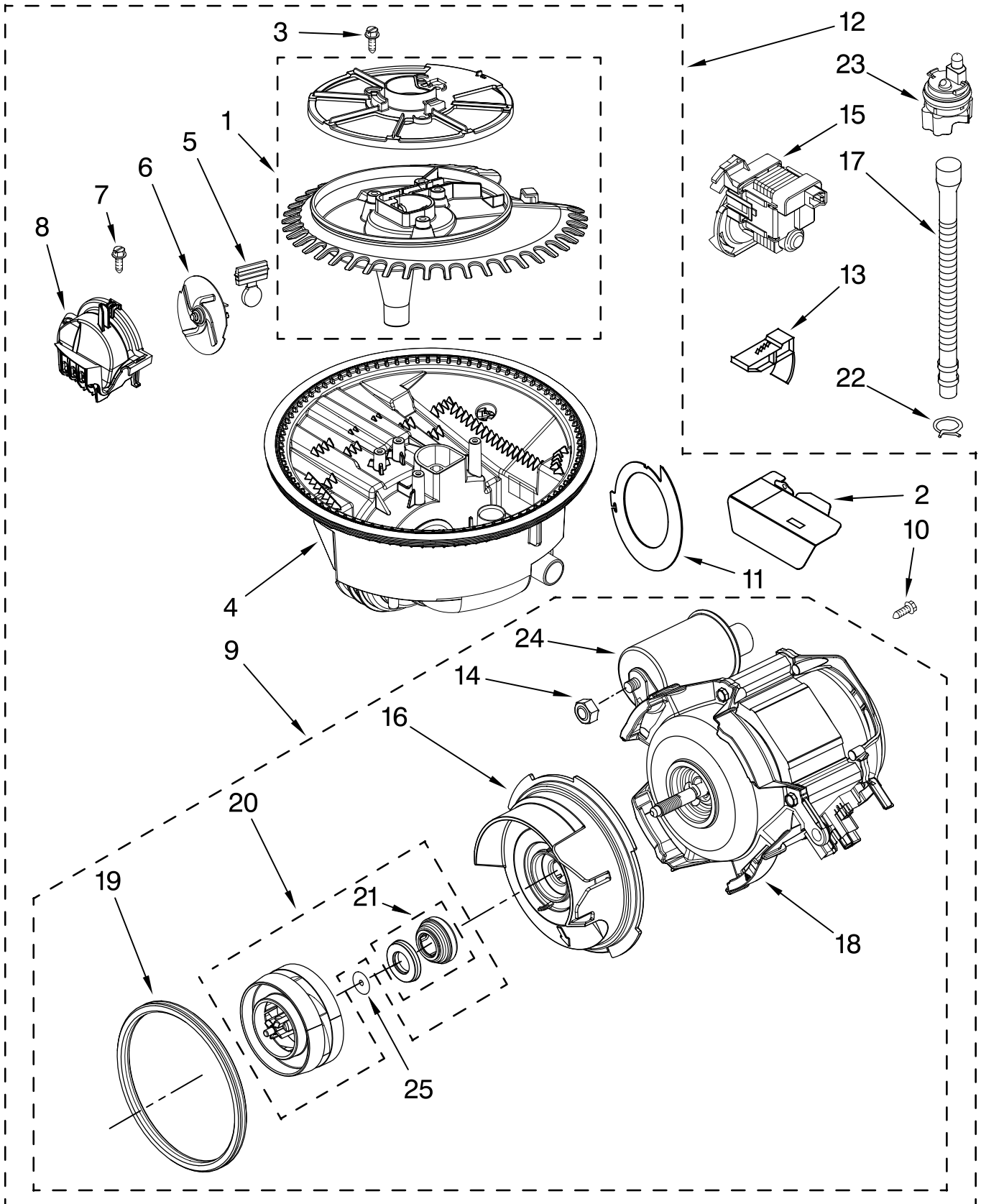
(Monochrome)

<u>Illus. No.</u>	<u>Part No.</u>	<u>DESCRIPTION</u>
1	W10164353	Tub Assembly (Includes Heater Assembly)
2	8573061	Strain Relief
3	W10112096	Door Seal
4	W10082838	Plug Tub
5	9743002	Gasket, Bracket Mounting
6	8269110	Seal, Cabinet
7	3400072	Screw
8	W10084086	Door, Balance Assembly
9	3367670	Screw
10	8269145	Bracket, Undercounter
11	3400074	Screw
12	3370389	Screw
13	8268977	Wheel Leg
14	8524584	Leveler, Leg
15	W10082769	Motor, Wax
16	8270020	Spring, Door Balance
17	8270019	Wheel & Mount Assembly (Also Order Item 6)
18	3400892	Screw
19	8268991	Cover, Terminal Box
20	W10158291	Cable, Door Balance
21	304666	Retainer, Push
22	8572661	Actuator Assy (Includes Item 15)
23	8573240	Shield, Sound Tub
24	9742648	Bracket, Thermostat
25	661566	Thermostat
26	W10077370	Strike, Latch
27	3378128	Washer, Pronged
28	3400014	Screw

FOR ORDERING INFORMATION REFER TO PARTS PRICE LIST

# PUMP AND MOTOR PARTS

For Models: MDB7809AWB0, MDB7809AWW0, MDB7809AWQ0, MDB7809AWM0  
(Black) (White) (Biscuit) (Monochrome)



FOR ORDERING INFORMATION REFER TO PARTS PRICE LIST

# PUMP AND MOTOR PARTS

For Models: MDB7809AWB0, MDB7809AWW0, MDB7809AWQ0, MDB7809AWM0  
 (Black) (White) (Biscuit) (Monochrome)

Illus. No.	Part No.	DESCRIPTION
1	8534952	Accumulator Assy
2	8283527	Shield, Motor
3	3400069	Screw
4	8572618	Sump with seal
5	8268375	Check Valve, Sump
6	W10083957	Chopper Assembly
7	9741232	Screw
8	8531857	Protector, Inlet
9	W10231538	Motor Assembly
10	3400217	Screw
11	W10084567	Screen, Separation
12	W10237168	Sump & Motor Assembly
13	8269524	Tab, Sump
14	8533949	Nut
15	661662	Pump, Drain
16	8531019	Volute, Back (Also Order Items 21 & 25)
17	8269144	Hose, Drain
18	W10226459	Motor
19	8268397	Seal, Volute
20	8531017	Impeller Kit (Also Order Item 25)
21	8268403	Face Seal Assembly (Also Order Item 25)
22	356138	Clamp, Hose
23	W10134017	Optical Water Indicator
24	W10216724	Capacitor
25	8531018	Washer

FOR ORDERING INFORMATION REFER TO PARTS PRICE LIST



# UPPER WASH AND RINSE PARTS

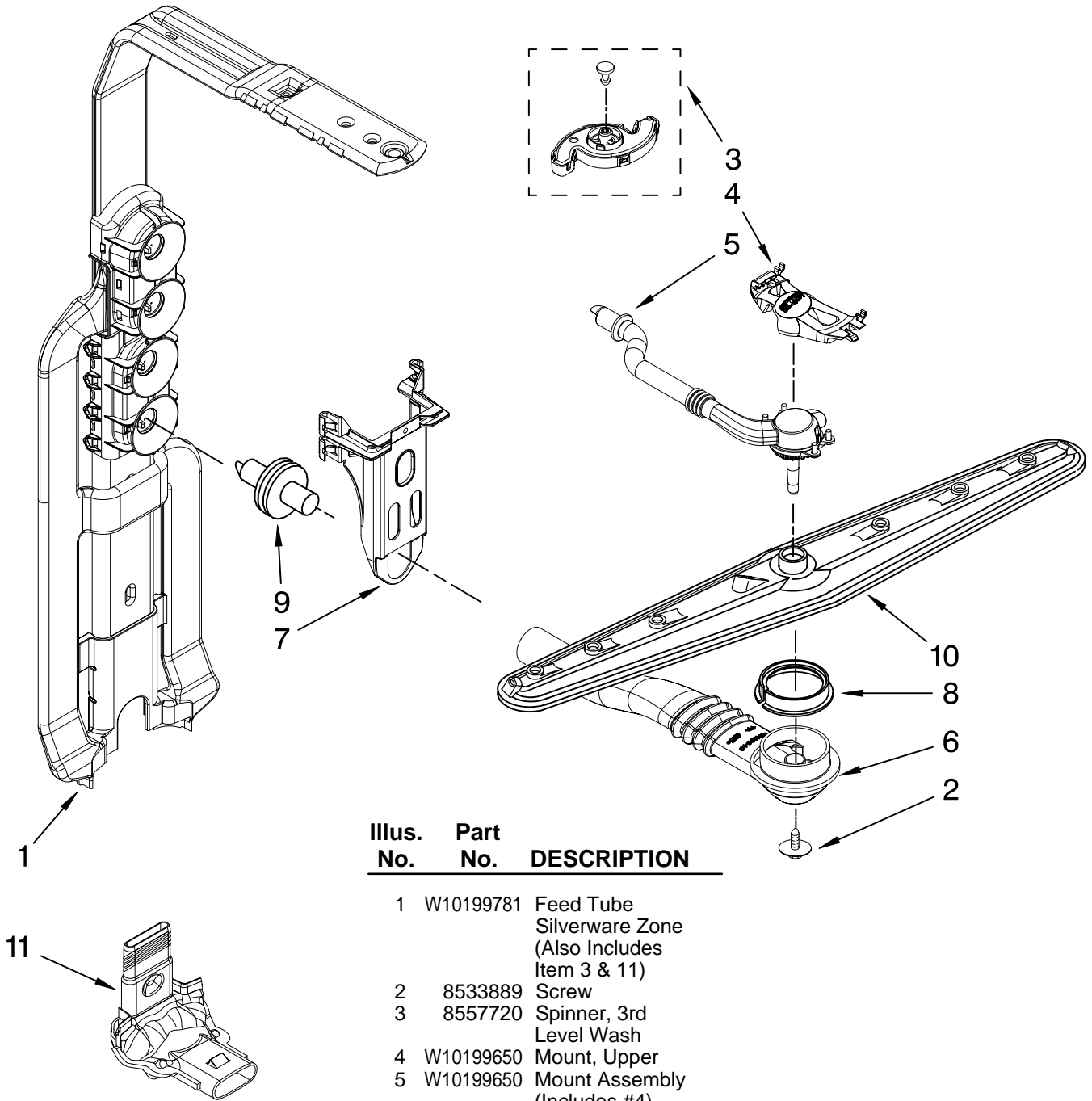
For Models: MDB7809AWB0, MDB7809AWW0, MDB7809AWQ0, MDB7809AWM0

(Black)

(White)

(Biscuit)

(Monochrome)



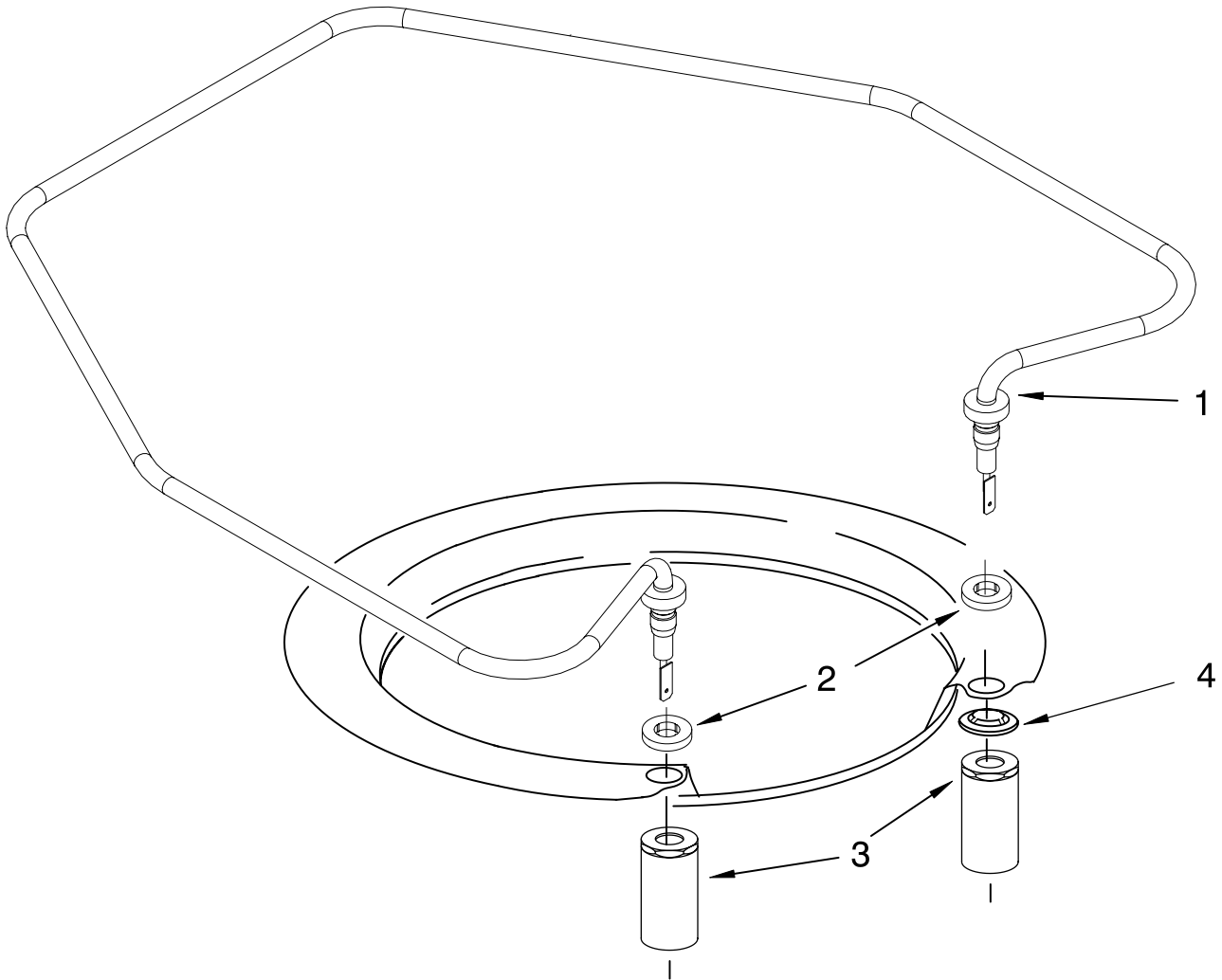
Illus. No.	Part No.	DESCRIPTION
------------	----------	-------------

- |    |           |  |
|----|-----------|--|
| 1  | W10199781 | Feed Tube<br>Silverware Zone<br>(Also Includes<br>Item 3 & 11) |
| 2  | 8533889   | Screw  |
| 3  | 8557720   | Spinner, 3rd<br>Level Wash                                     |
| 4  | W10199650 | Mount, Upper   |
| 5  | W10199650 | Mount Assembly<br>(Includes #4)                                |
| 6  | W10199649 | Manifold   |
| 7  | W10199648 | Hanger   |
| 8  | 8268433   | Seal, Sprayarm   |
| 9  | W10082831 | Nozzle-Feed  |
| 10 | W10082841 | Sprayarm   |
| 11 | 8575244   | Valve Assembly,<br>Manifold                                    |

FOR ORDERING INFORMATION REFER TO PARTS PRICE LIST

# HEATER PARTS

For Models: MDB7809AWB0, MDB7809AWW0, MDB7809AWQ0, MDB7809AWM0  
(Black) (White) (Biscuit) (Monochrome)



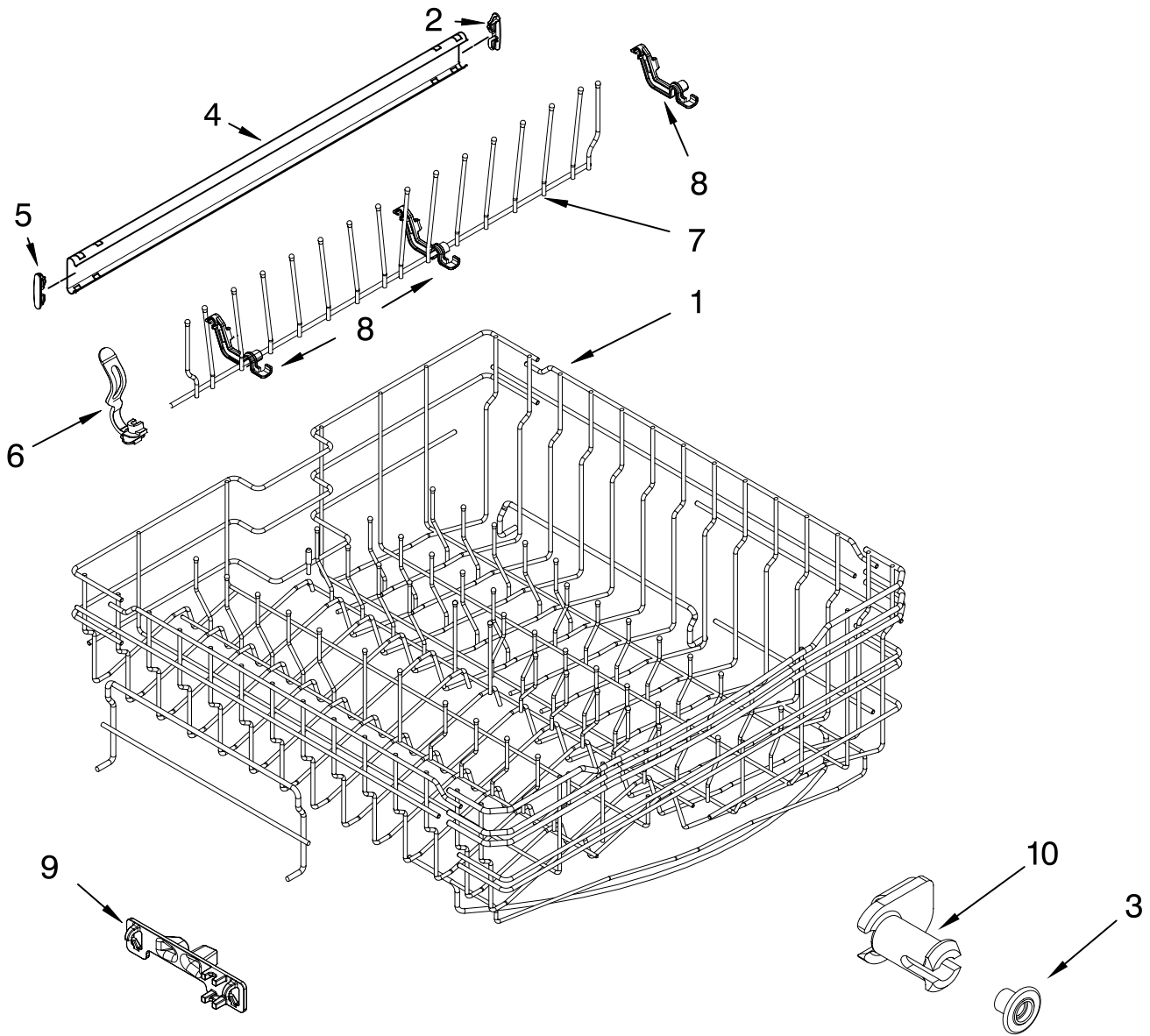
<u>Illus. No.</u>	<u>Part No.</u>	<u>DESCRIPTION</u>
1	8537057	Heater Element Assembly (Also Includes Item 2)
2	717273	Washer, Heater Element
3	8268548	Nut, Heater Element
4	3400931	Speed Nut

**NOTE:** If heater element is removed, it must be replaced.

FOR ORDERING INFORMATION REFER TO PARTS PRICE LIST

# UPPER RACK AND TRACK PARTS

For Models: MDB7809AWB0, MDB7809AWW0, MDB7809AWQ0, MDB7809AWM0  
 (Black) (White) (Biscuit) (Monochrome)

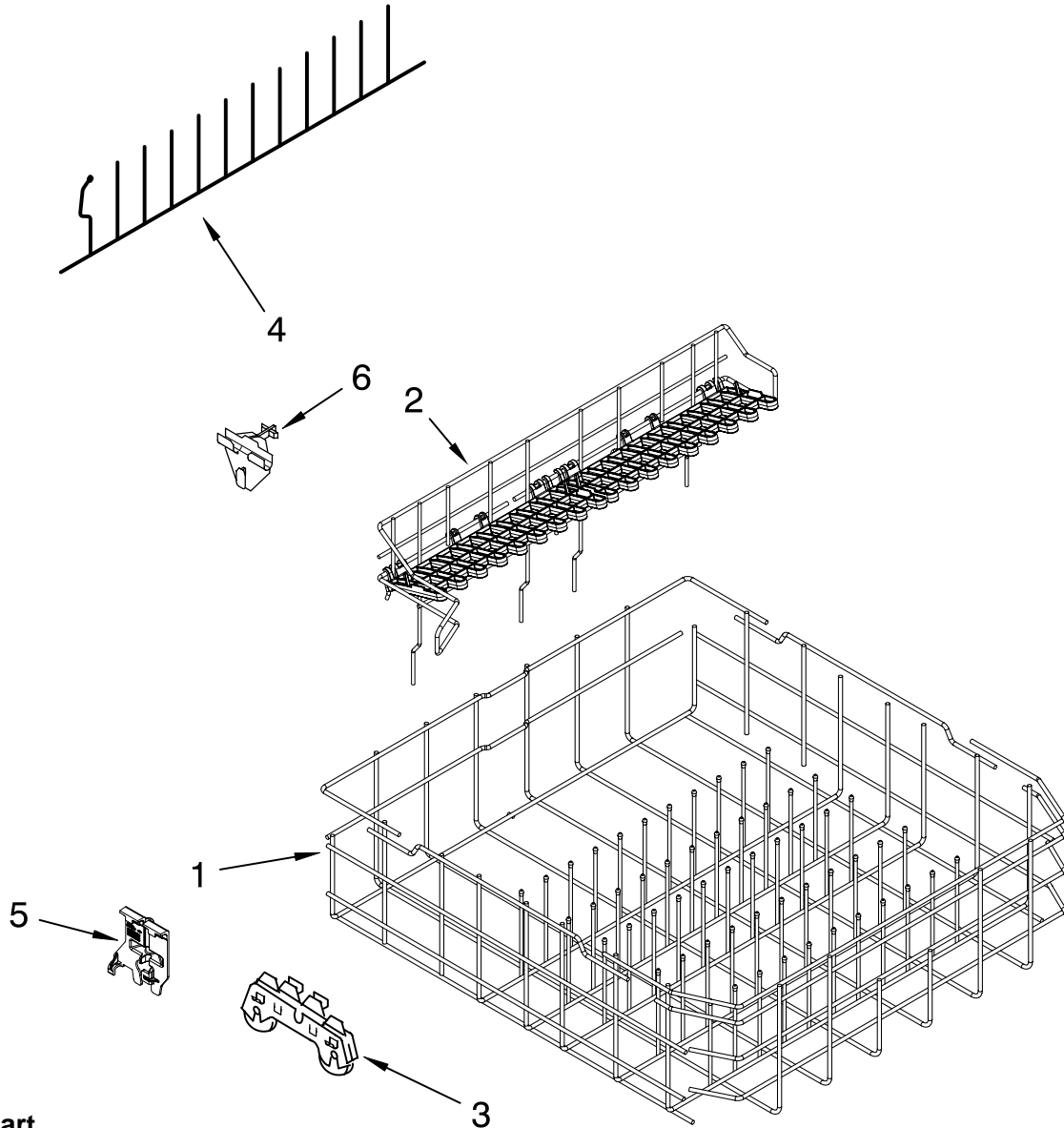


Illus. No.	Part No.	DESCRIPTION
1	W10240108	Dishrack, Upper
2	8565925	Stop, Track Non-Removable
3	W10194028	Wheel
4	3385089	Track, Rack
5	W10199682	Stop, Track Removable
6	8539113	Clip, No-Flip
7	9744566	Tine Row
8	8539190	Clip, Pivot
9	8539119	Positioner, Dual
10	6-918303	Clip, Wheel Mounting

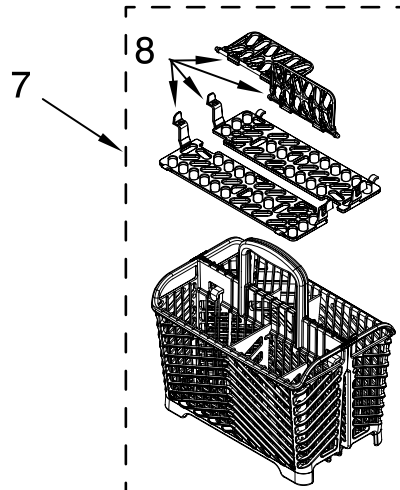
FOR ORDERING INFORMATION REFER TO PARTS PRICE LIST

# LOWER RACK PARTS

For Models: MDB7809AWB0, MDB7809AWW0, MDB7809AWQ0, MDB7809AWM0  
 (Black) (White) (Biscuit) (Monochrome)



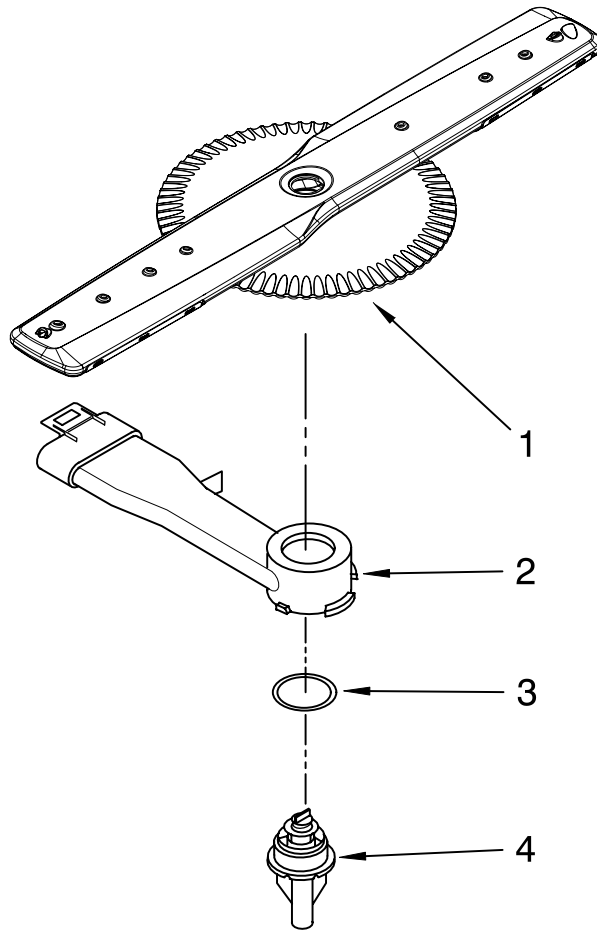
Illus. No.	Part No.	DESCRIPTION
1	W10082825	Lower Rack Assembly
2	W10199654	Cupshelf Assembly
3	8268713	Wheel & Transport Assembly
4	W10082907	Tine Row Basket
5	W10175279	Retainer, Tine Row
6	8539118	Latch Assembly
7	W10199701	Silverware, Basket Assembly (Includes Item 8)
8	W10199681	Lid, Silverware Basket



FOR ORDERING INFORMATION REFER TO PARTS PRICE LIST

# LOWER WASHARM PARTS

For Models: MDB7809AWB0, MDB7809AWW0, MDB7809AWQ0, MDB7809AWM0  
(Black) (White) (Biscuit) (Monochrome)



<u>Illus. No.</u>	<u>Part No.</u>	<u>DESCRIPTION</u>
1	W10199688	Wash Arm Assembly
2	8268343	Cap, Internal Rear Feed
3	8268340	Seal, Sprayarm
4	W10077898	Support, Lower Sprayarm

FOR ORDERING INFORMATION REFER TO PARTS PRICE LIST

# OPTIONAL PARTS (NOT INCLUDED)

For Models: MDB7809AWB0, MDB7809AWW0, MDB7809AWQ0, MDB7809AWM0

(Black)

(White)

(Biscuit)

(Monochrome)

Illus. No.	Part No.	DESCRIPTION
<b><u>ACCESSORIES</u></b>		
	Side Panel Kits	
	8171656	White
	8171657	Black
	8171658	Biscuit
	8171659	Stainless Steel
	Custom Panel & Trim Kit	
	8171555	Black
	8171556	White
	8171557	Biscuit
	8171558	Grey
	Moisture Barrier Kit	
	4396277	Kit
	Drain Hose	
	3385556	12 Ft.
	Seal Kit	
	6-919539	Metal Chopper

Illus. No.	Part No.	DESCRIPTION
<b><u>PAINT, TOUCH-UP (1/2oz.)</u></b>		
	72017	White
	72032	Black
	4392899	Biscuit
	4396603	Meteorite
<b><u>PAINT, PRESSURIZED SPRAY (12 oz.)</u></b>		
	350930	White
	285006	Superior Black
	4392901	Biscuit
<b><u>PAINT, BULK (1 qt.)</u></b>		
	799344	White (Uncut)
	4392900	Biscuit

Illus. No.	Part No.	DESCRIPTION
<b><u>POWER CORD KIT</u></b>		
	4317824	Power Cord Kit (Includes Power Cord & Misc. Hardware)
<b><u>ANTI-TIP KIT</u></b>		
	8171477	Floor Mount Kit
<b><u>DISHRACK REPAIR</u></b>		
		Tip Tine Repair Kit (Enough for Two Complete Dishracks)
	4396838	White
	4396840	Grey
		Vinyl Touch-Up (4 oz.)
	676453	White
	676455	Grey