

# KitchenAid® DOOR AND PANEL PARTS

For Models: KUDS40FVBL0, KUDS40FVWH0, KUDS40FVBT0, KUDS40FVSS0

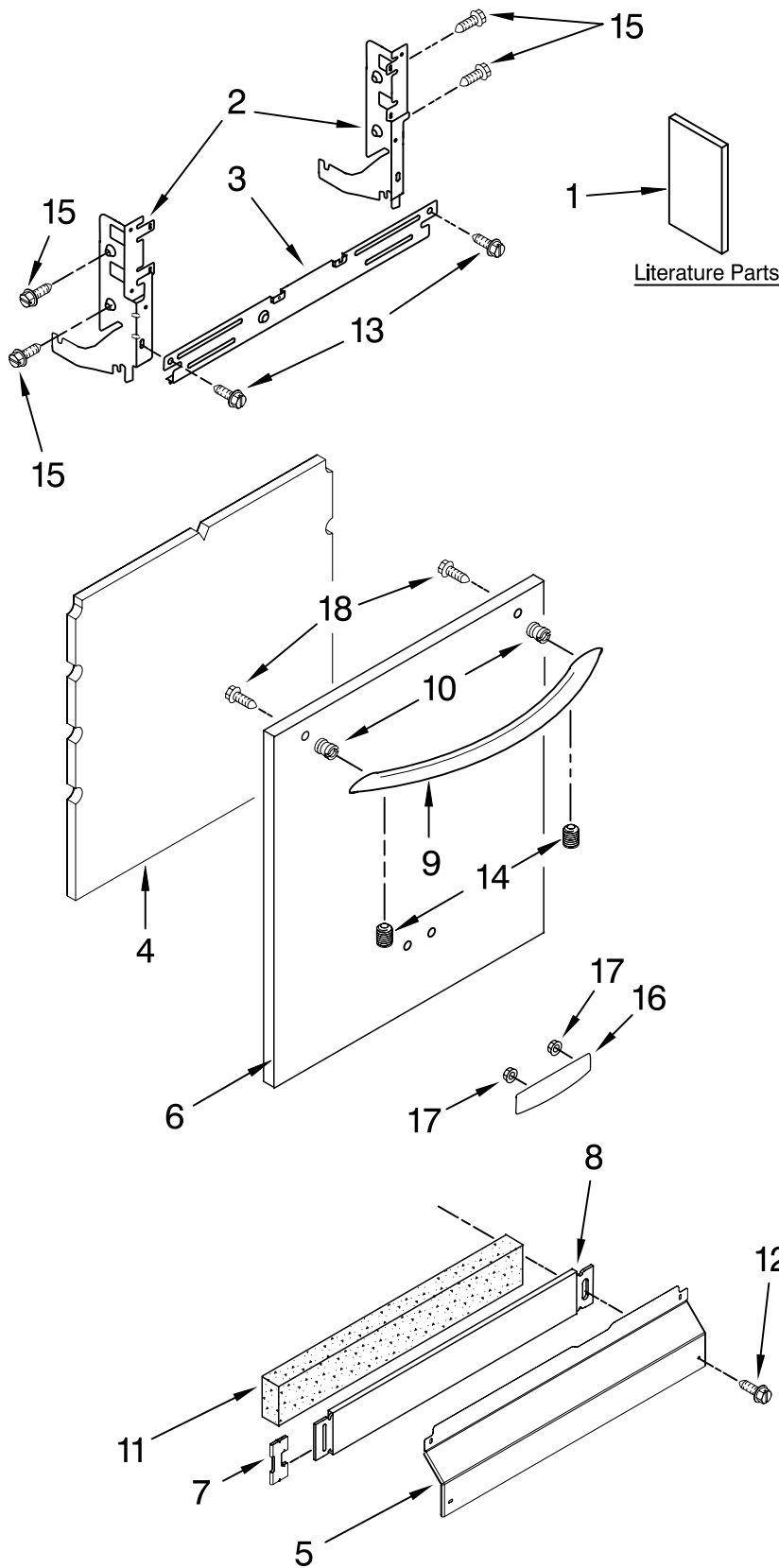
(Black)

(White)

(Biscuit)

(Stainless)

UNDERCOUNTER  
DISHWASHER

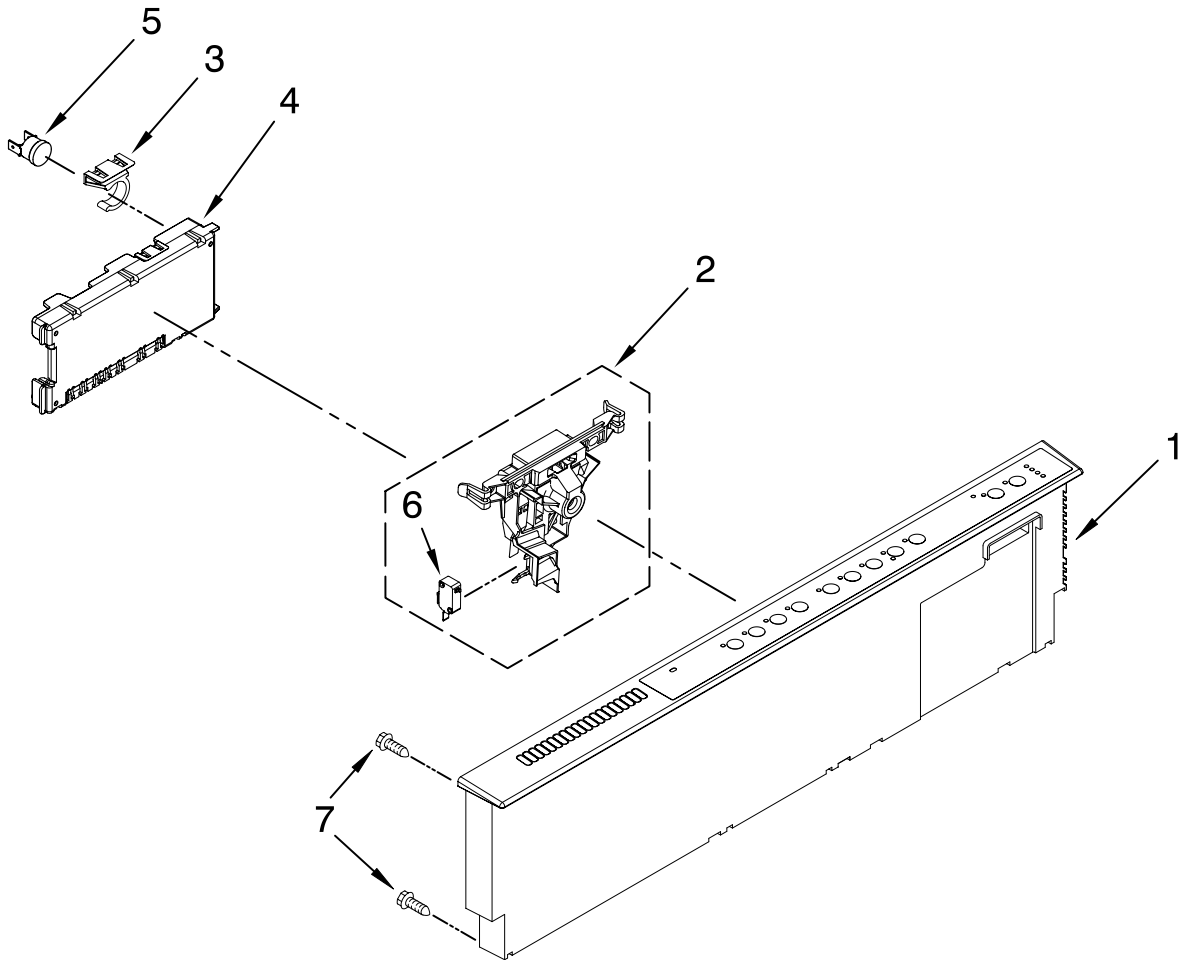


Illus. No.	Part No.	DESCRIPTION
1	W10056407	Literature Parts Instructions, Installation
	W10056439	Energy Guide
	W10205938	Guide, Use & Care Spanish
	W10205937	Guide, Use & Care English/French
	W10130990	Tech Sheet
2		Arm, Hinge
	8534854	Left
	8534853	Right
3	8268983	Stiffener, Door
4	W10073520	Insulation, Door
5		Access Panel
	8573255	Black
	8573256	White
6		Panel, Full Front (Includes Items 4, 10, 16 & 17)
	W10078007	Black
	W10078008	White
	W10078009	Biscuit
	W10137623	Stainless
7	8269016	Clip, Ground
8		Toe Panel (Includes Items 7 & 11)
	8558252	Black
	8558253	White
9		Handle (Includes Items 14)
	W10083936	Black
	W10083937	White
	W10083935	Stainless
10	8564951	Stud, Mounting
11	8268581	Insulation, Toe Panel
12		Screw
	302868	Black
	3400836	White
13	304392	Screw
14	8534008	Screw
15	3400071	Screw
16		Nameplate
	W10021860	Black
	W10021870	White
	W10021880	Biscuit
	W10021850	Stainless
17	2004333	Nut
18	W10123421	Screw

FOR ORDERING INFORMATION REFER TO PARTS PRICE LIST

# CONTROL PANEL PARTS

For Models: KUDS40FVBL0, KUDS40FVWH0, KUDS40FVBT0, KUDS40FVSS0  
 (Black) (White) (Biscuit) (Stainless)

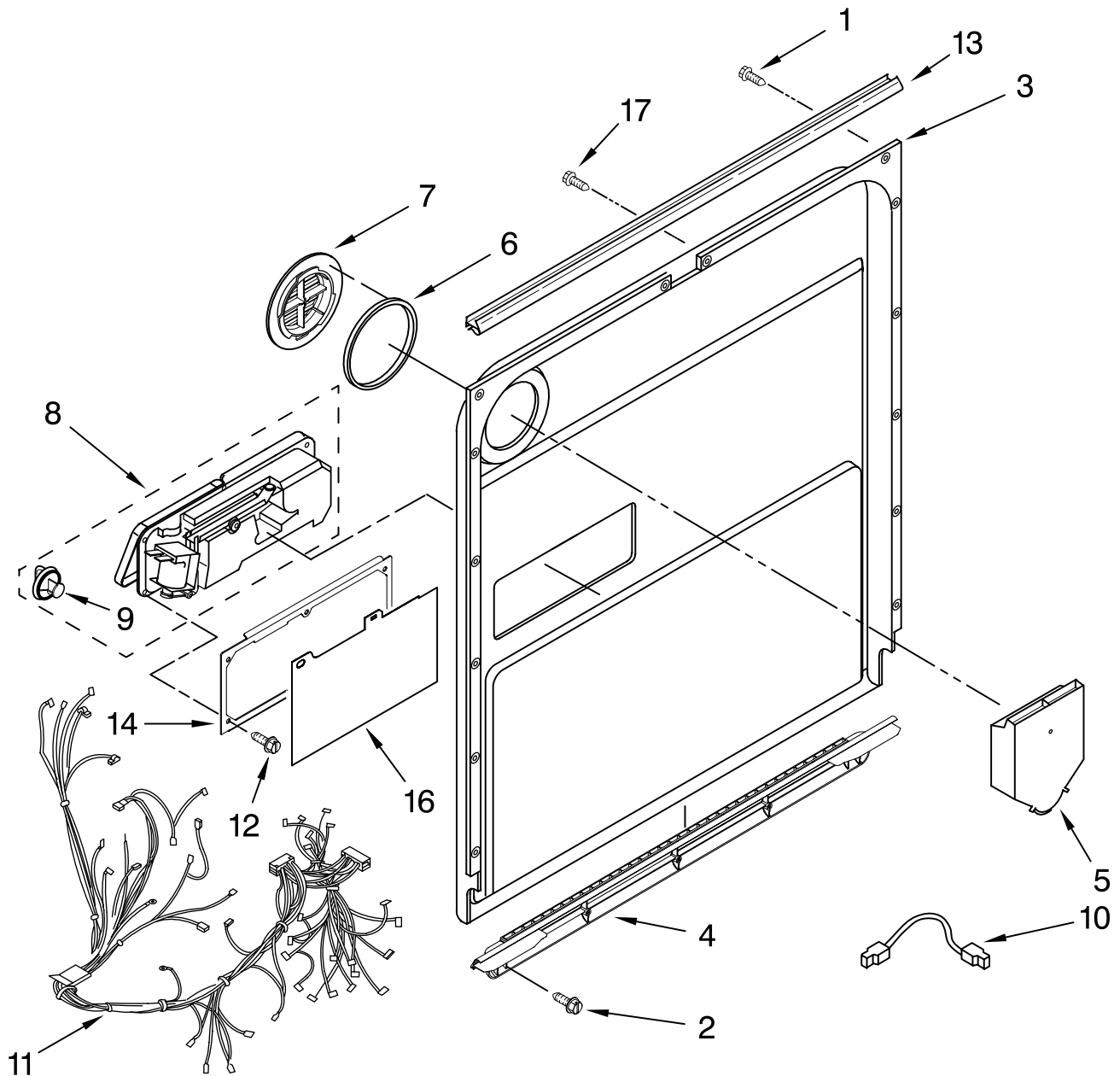


Illus. No.	Part No.	DESCRIPTION
1		Console Assembly
	W10056503	Black
	W10056504	White
	W10056505	Biscuit
	W10056506	Midnight Grey
2	W10077360	Latch Assembly
3	8546546	Clip, BI-Metal
4	W10084141	Control, Electronic
5	661663	BI-Metal
6	W10134019	Switch, Door
7	3369051	Screw

FOR ORDERING INFORMATION REFER TO PARTS PRICE LIST

# DOOR AND LATCH PARTS

For Models: KUDS40FVBL0, KUDS40FVWH0, KUDS40FVBT0, KUDS40FVSS0  
 (Black) (White) (Biscuit) (Stainless)



Illus. No.	Part No.	DESCRIPTION
1	3369051	Screw, Door
2	8281217	Screw
3	W10056249	Inner Door Mastic Assembly (Also Order Item 6)
4	W10077883	Inlet, Air
5	8572611	Vent Assembly (Also Order Item 6)

Illus. No.	Part No.	DESCRIPTION
6	8269259	Gasket, Vent
7	W10077877	Deflector, Vent (Also Order Item 6)
8	W10077882	Dispenser, Assembly
9	W10077881	Knob, Rinse Aid
10	8545608	Harness, Vent Motor

Illus. No.	Part No.	DESCRIPTION
11	W10077949	Wiring Harness
12	W10177098	Screw
13	8535660	Seal, Console/door
14	8535637	Bracket, Dispenser
16	8531865	Shield, Dispenser
17	8533965	Screw

FOR ORDERING INFORMATION REFER TO PARTS PRICE LIST

# FILL, DRAIN AND OVERFILL PARTS

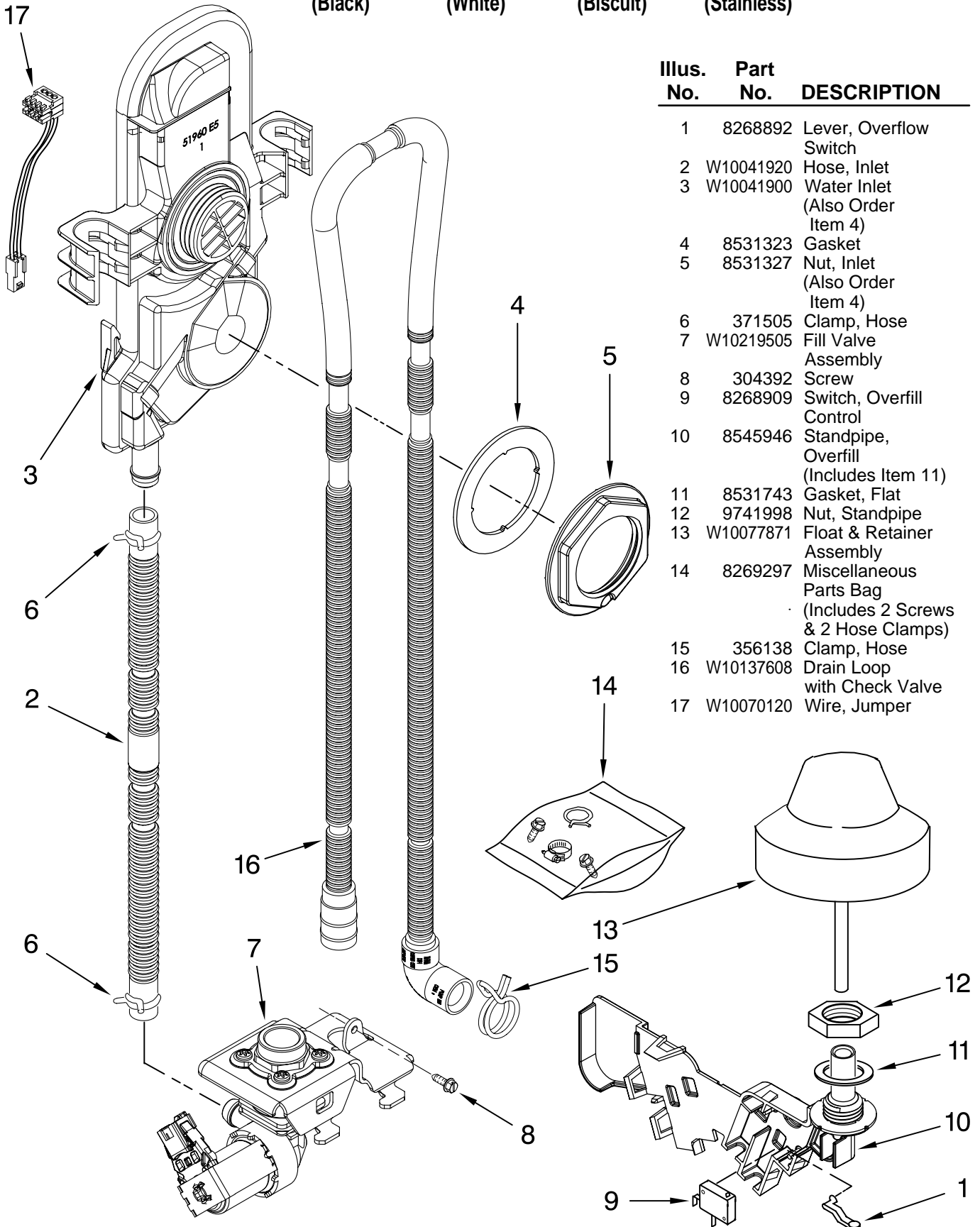
For Models: KUDS40FVBL0, KUDS40FVWH0, KUDS40FVBT0, KUDS40FVSS0

(Black)

(White)

(Biscuit)

(Stainless)



Illus. No.	Part No.	DESCRIPTION
1	8268892	Lever, Overflow Switch
2	W10041920	Hose, Inlet
3	W10041900	Water Inlet (Also Order Item 4)
4	8531323	Gasket
5	8531327	Nut, Inlet (Also Order Item 4)
6	371505	Clamp, Hose
7	W10219505	Fill Valve Assembly
8	304392	Screw
9	8268909	Switch, Overflow Control
10	8545946	Standpipe, Overflow (Includes Item 11)
11	8531743	Gasket, Flat
12	9741998	Nut, Standpipe
13	W10077871	Float & Retainer Assembly
14	8269297	Miscellaneous Parts Bag (Includes 2 Screws & 2 Hose Clamps)
15	356138	Clamp, Hose
16	W10137608	Drain Loop with Check Valve
17	W10070120	Wire, Jumper

FOR ORDERING INFORMATION REFER TO PARTS PRICE LIST



# TUB AND FRAME PARTS

For Models: KUDS40FVBL0, KUDS40FVWH0, KUDS40FVBT0, KUDS40FVSS0  
 (Black) (White) (Biscuit) (Stainless)

Illus. No.	Part No.	DESCRIPTION
1	W10164353	Tub Assembly (Includes Heater Assembly)
2	8573061	Strain Relief
3	W10112096	Door Seal
4	W10082838	Plug Tub
5	8268582	Insulator, Sound
6	8269110	Seal, Cabinet
7	3400924	Retainer, Push
8	W10084086	Door Balance Assembly
9	3367670	Screw
10	8269145	Bracket, Undercounter
11	3400074	Screw
12	8574123	Barrier, Moisture Undercounter
13	3370389	Screw
14	8268977	Wheel, Leg
15	8524584	Leveler, Leg
16	3400072	Screw
17	8270020	Spring, Door Balance
18	8572661	Actuator Assembly
19	3400892	Screw
20	8268991	Cover, Terminal Box
21	W10158291	Cable, Door Balance
22	304666	Retainer, Push
23	8573239	Shield, Sound Tub
24	9742648	Bracket, Thermostat
25	661566	Thermostat
26	W10077370	Strike, Latch
27	W10082769	Motor, Wax
28	3378128	Washer, Pronged Cup
29	3400014	Screw
30	W10078083	Wheel & Mount Assembly (Also Order Item 31)
31	9743002	Gasket, Bracket Mounting
32	W10084568	Absorber, Sound

FOR ORDERING INFORMATION REFER TO PARTS PRICE LIST

# PUMP AND MOTOR PARTS

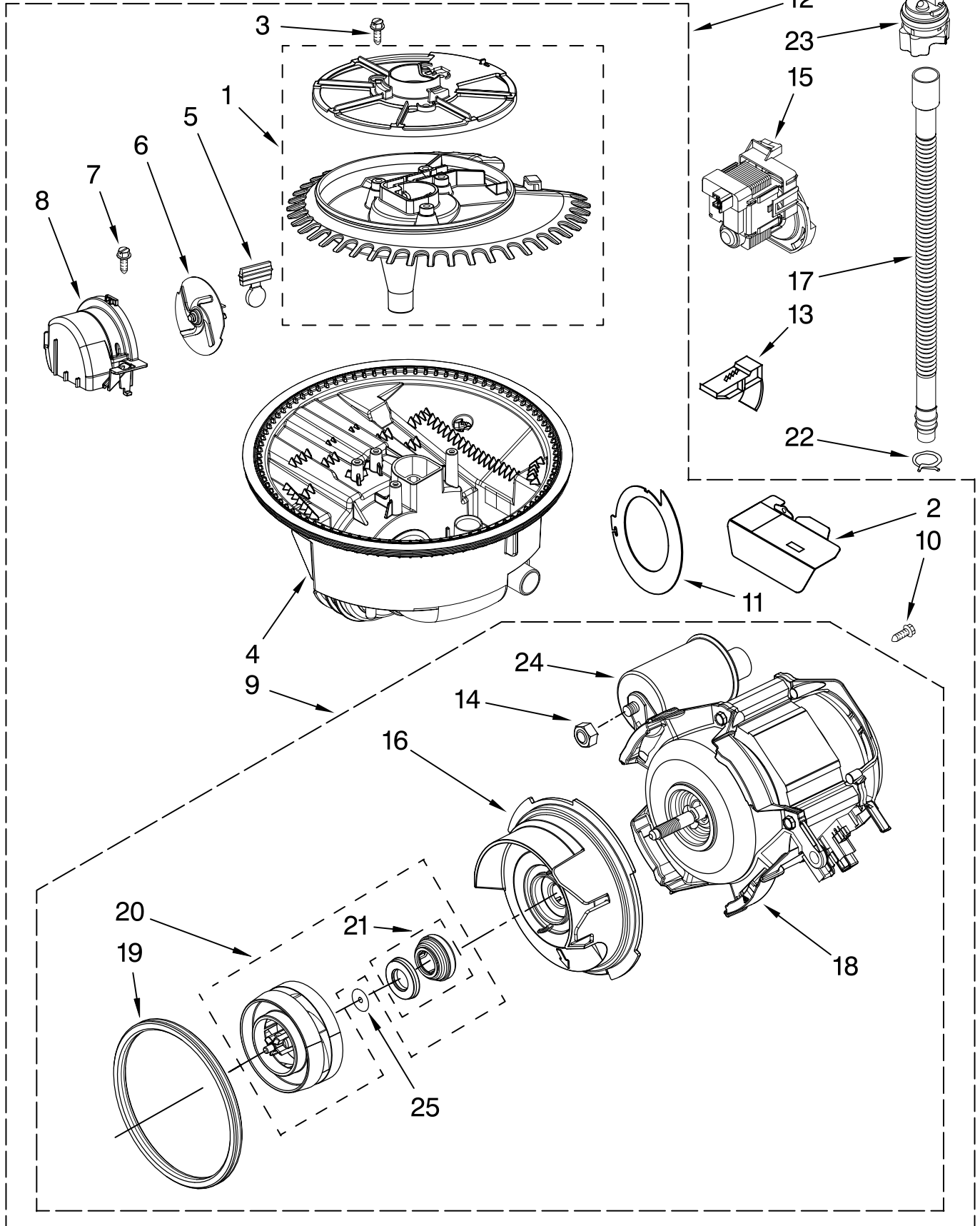
For Models: KUDS40FVBL0, KUDS40FVWH0, KUDS40FVBT0, KUDS40FVSS0

(Black)

(White)

(Biscuit)

(Stainless)



FOR ORDERING INFORMATION REFER TO PARTS PRICE LIST

# PUMP AND MOTOR PARTS

For Models: KUDS40FVBL0, KUDS40FVWHO, KUDS40FVBT0, KUDS40FVSS0  
 (Black) (White) (Biscuit) (Stainless)

<b>Illus. No.</b>	<b>Part No.</b>	<b>DESCRIPTION</b>
1	8534952	Accumulator Assy
2	8283527	Shield
3	3400069	Screw
4	8572618	Sump with Seal
5	8268375	Check Valve, Sump
6	W10083957	Chopper Assembly
7	9741232	Screw
8	8531857	Protector, Inlet
9	8535760	Motor Assembly
10	3400217	Screw
11	W10084567	Screen, Separation
12	W10084107	Sump & Motor Assembly
13	8269524	Tab, Sump
14	8533949	Nut
15	661662	Pump, Drain
16	8531019	Volute, Back (Also Order Items 21 & 25)
17	8269144	Hose, Drain
18	8535759	Motor
19	8268397	Seal, Volute
20	8531017	Impeller Kit
21	8268403	Face Seal Assembly (Also Order Item 25)
22	356138	Clamp, Hose
23	W10134017	Optical Water Indicator
24	W10216724	Capacitor
25	8531018	Washer

FOR ORDERING INFORMATION REFER TO PARTS PRICE LIST



# UPPER WASH AND RINSE PARTS

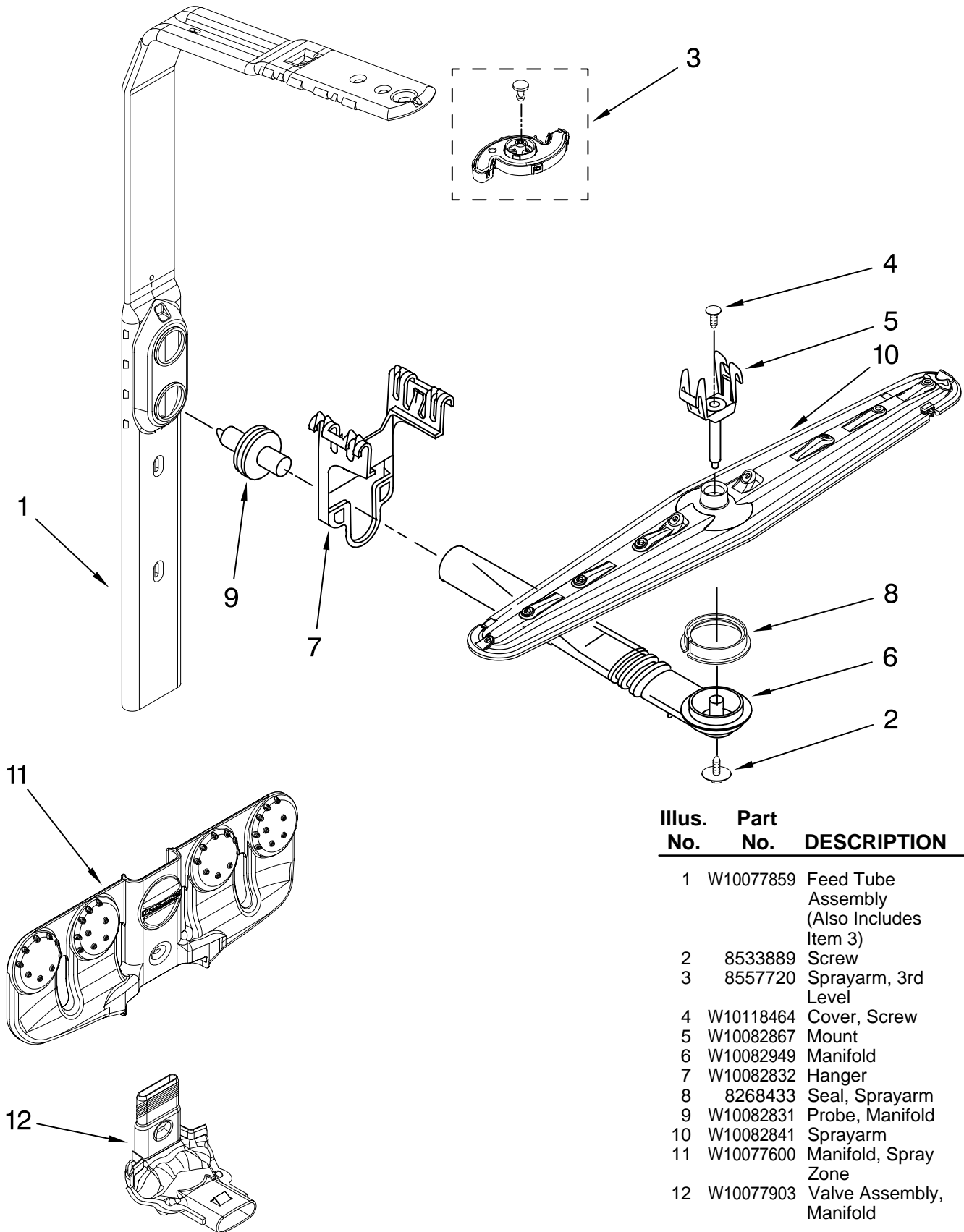
For Models: KUDS40FVBL0, KUDS40FVWH0, KUDS40FVBT0, KUDS40FVSS0

(Black)

(White)

(Biscuit)

(Stainless)



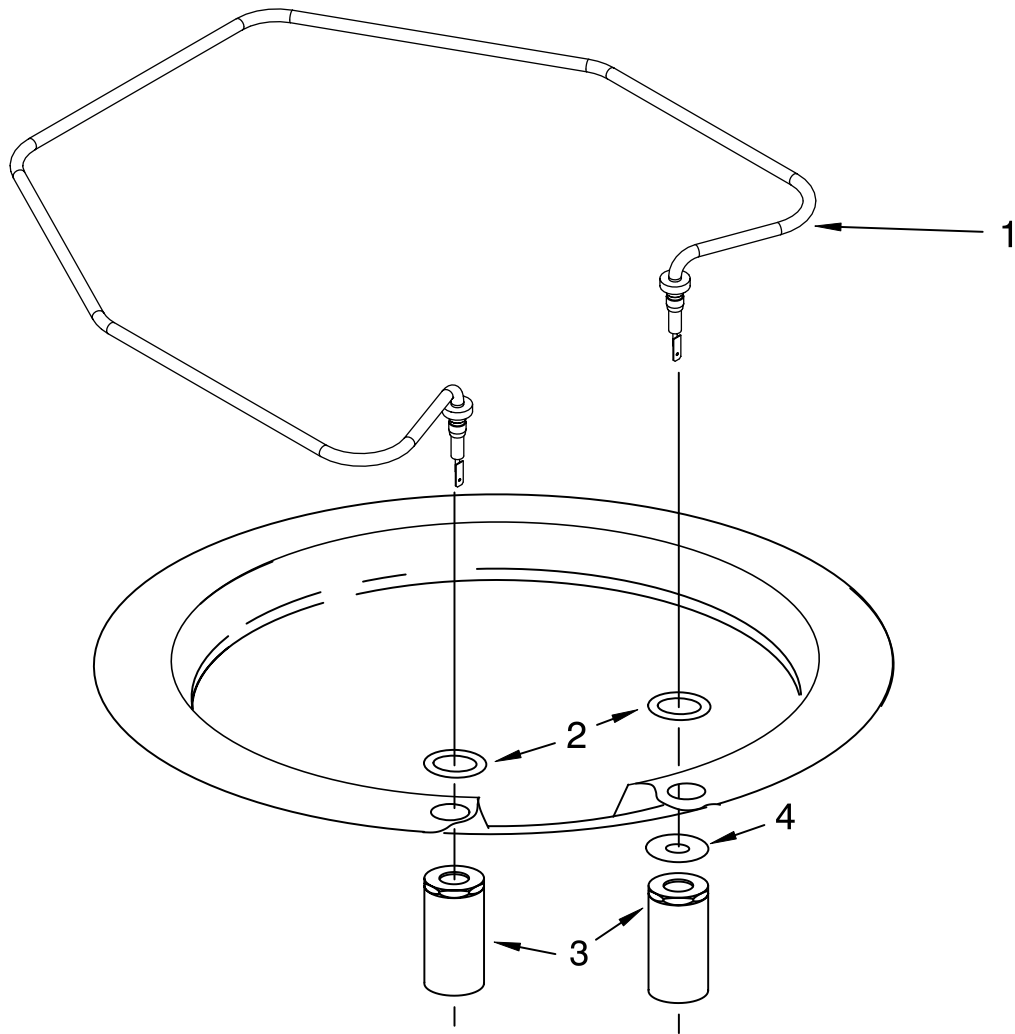
Illus. No.	Part No.	DESCRIPTION
------------	----------	-------------

1	W10077859	Feed Tube Assembly (Also Includes Item 3)
2	8533889	Screw
3	8557720	Sprayarm, 3rd Level
4	W10118464	Cover, Screw
5	W10082867	Mount
6	W10082949	Manifold
7	W10082832	Hanger
8	8268433	Seal, Sprayarm
9	W10082831	Probe, Manifold
10	W10082841	Sprayarm
11	W10077600	Manifold, Spray Zone
12	W10077903	Valve Assembly, Manifold

FOR ORDERING INFORMATION REFER TO PARTS PRICE LIST

# HEATER PARTS

For Models: KUDS40FVBL0, KUDS40FVWH0, KUDS40FVBT0, KUDS40FVSS0  
 (Black) (White) (Biscuit) (Stainless)



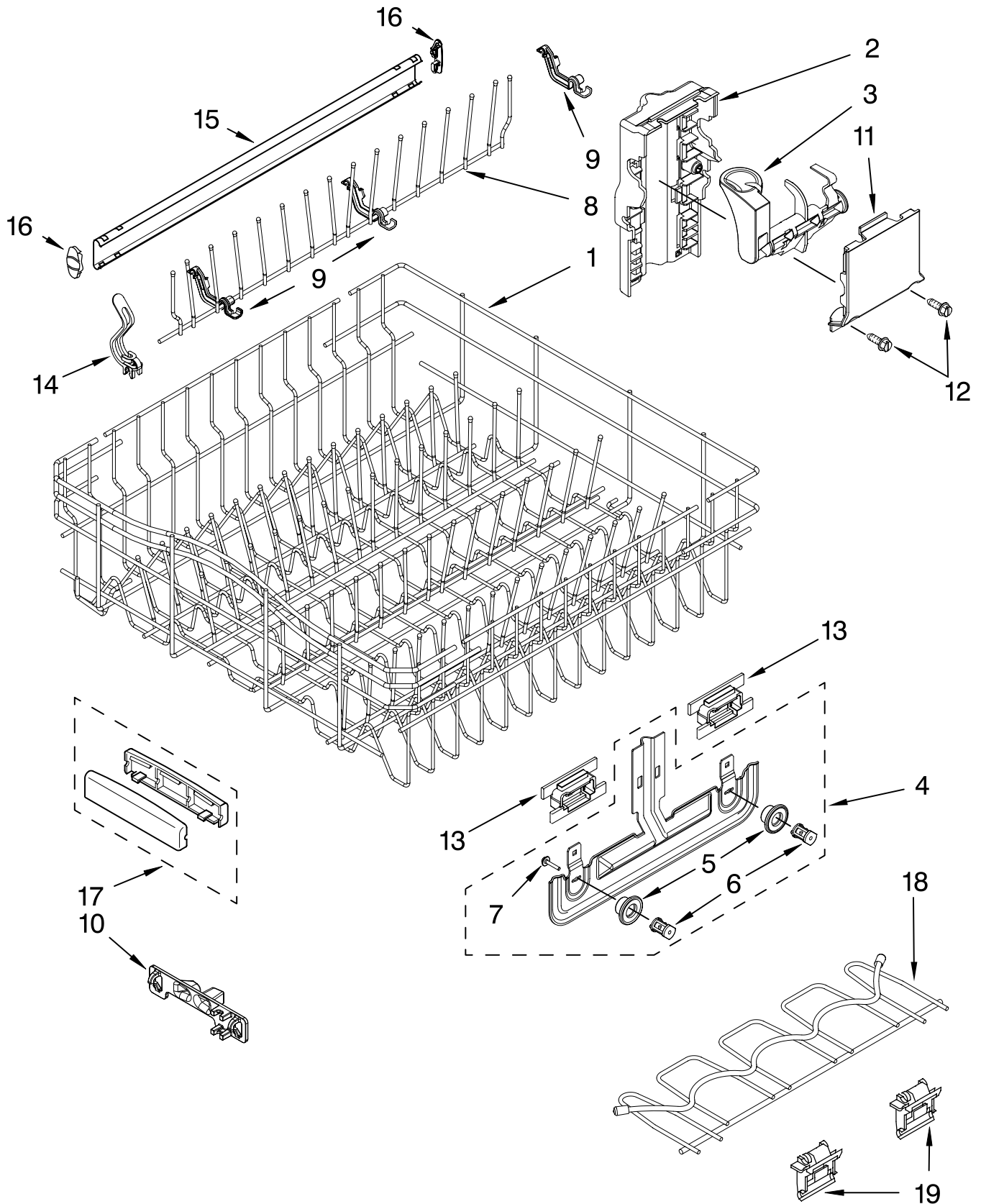
Illus. No.	Part No.	DESCRIPTION
1	8537057	Heater Element Assembly (Also Includes Item 2)
2	717273	Washer, Heater Element
3	8268548	Nut, Heater Element
4	3400931	Retainer, Spring Grip

**NOTE:** If heater element is removed, it must be replaced.

FOR ORDERING INFORMATION REFER TO PARTS PRICE LIST

# UPPER RACK AND TRACK PARTS

For Models: KUDS40FVBL0, KUDS40FVWH0, KUDS40FVBT0, KUDS40FVSS0  
(Black) (White) (Biscuit) (Stainless)



FOR ORDERING INFORMATION REFER TO PARTS PRICE LIST

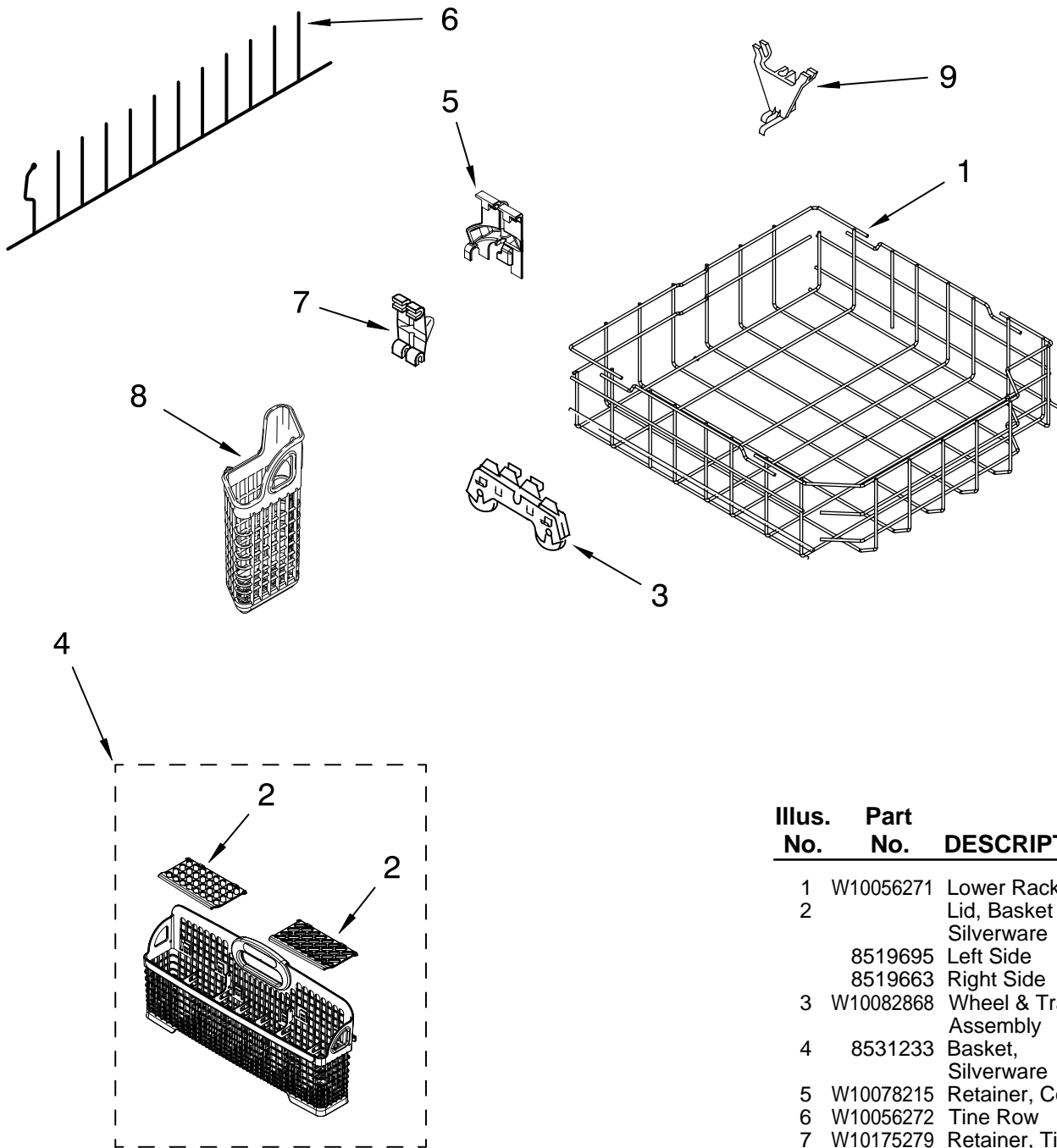
# UPPER RACK AND TRACK PARTS

For Models: KUDS40FVBL0, KUDS40FVWH0, KUDS40FVBT0, KUDS40FVSS0  
 (Black) (White) (Biscuit) (Stainless)

<b>Illus. No.</b>	<b>Part No.</b>	<b>DESCRIPTION</b>
1	W10056270	Dishrack, Upper
2	W10082839	Housing, Adjuster
3		Actuator, Adjuster
	W10077838	Right Hand
	W10077839	Left Hand
4	8268654	Adjuster Assembly
5	3385088	Wheel
6	8268703	Axel, Adjuster
7	8281156	Screw
8	8562030	Tine Row
9	W10082853	Clip, Pivot
10	8539102	Positioner, Dual
11	W10082840	Cover, Adjuster
12	9741232	Retainer
13	W10082834	Positioner, Arm
14	W10077844	Clip, No-Flip
15	3385089	Track, Assembly
16	W10082860	Stop, Track
17	8539110	Handle, Dishrack
18	8562029	Cupshelf
19	8562026	Clip, Cupshelf

# LOWER RACK PARTS

For Models: KUDS40FVBL0, KUDS40FVWH0, KUDS40FVBT0, KUDS40FVSS0  
 (Black) (White) (Biscuit) (Stainless)



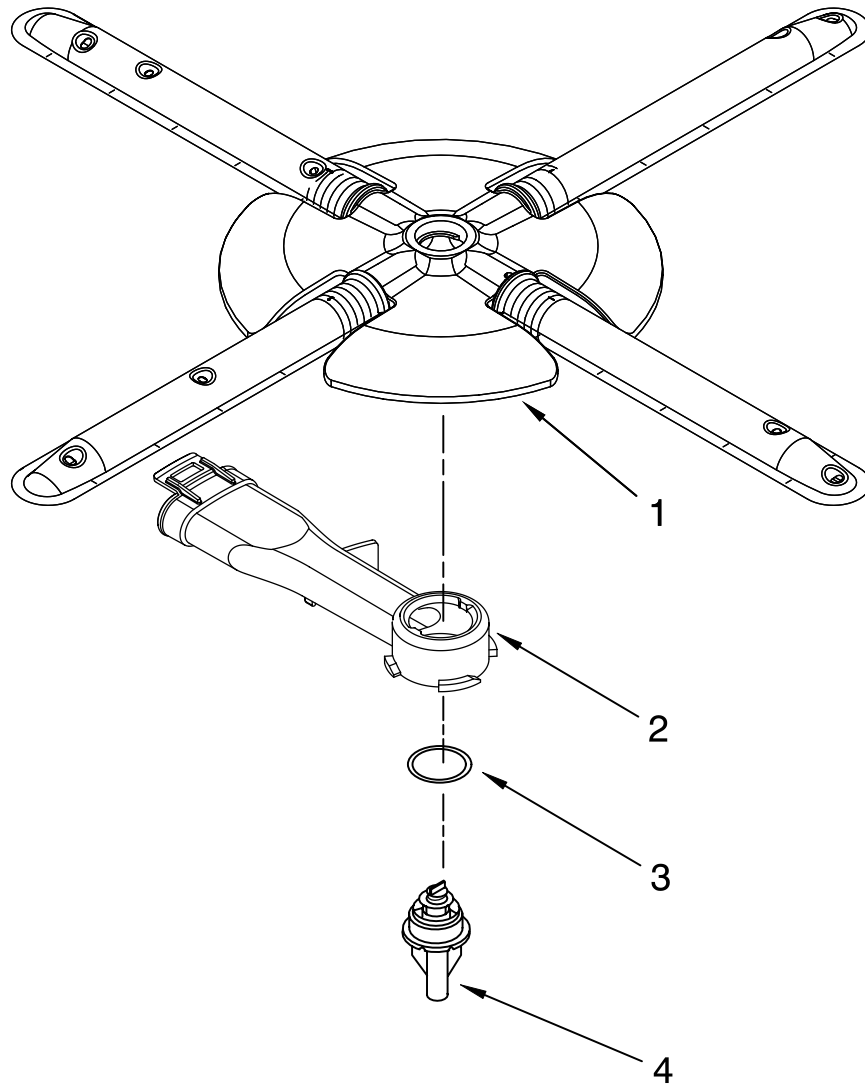
Illus. No.	Part No.	DESCRIPTION
1	W10056271	Lower Rack
2		Lid, Basket Silverware
	8519695	Left Side
	8519663	Right Side
3	W10082868	Wheel & Transport Assembly
4	8531233	Basket, Silverware
5	W10078215	Retainer, Combo
6	W10056272	Tine Row
7	W10175279	Retainer, Tine Row
8	8519702	Basket, Utensil
9	W10078227	Pivot, Tine Row

FOR ORDERING INFORMATION REFER TO PARTS PRICE LIST

# LOWER WASHARM AND STRAINER PARTS

For Models: KUDS40FVBL0, KUDS40FVWH0, KUDS40FVBT0, KUDS40FVSS0

(Black) (White) (Biscuit) (Stainless)



Illus. No.	Part No.	DESCRIPTION
1	W10077965	Wash Arm Assembly
2	W10077899	Cap, Internal Rear Feed (Also Order Item 3)
3	8268340	Seal, Sprayarm
4	W10077898	Hub, Lower Sprayarm (Also Order Item 3)

FOR ORDERING INFORMATION REFER TO PARTS PRICE LIST

