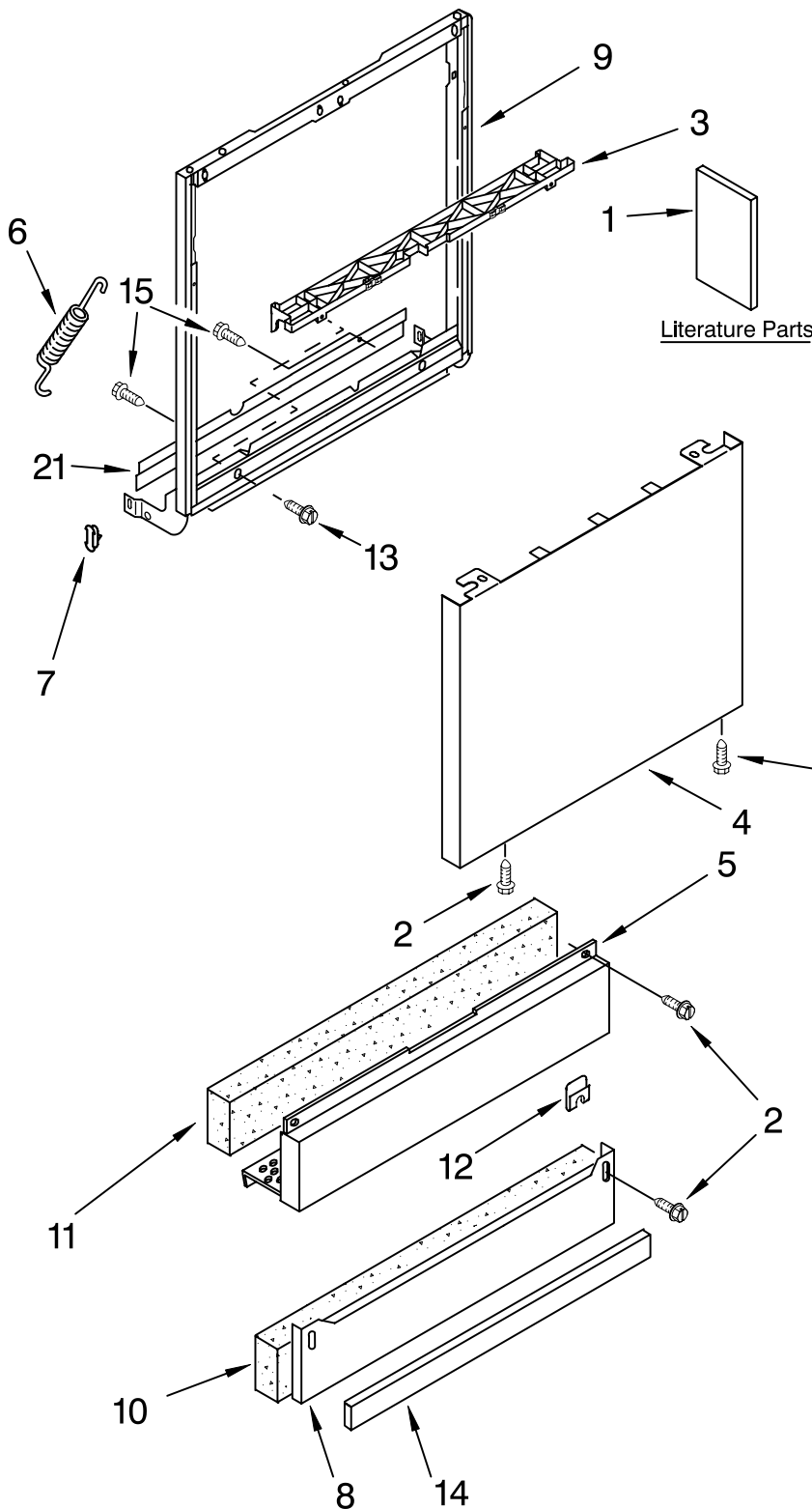


KitchenAid® DOOR AND PANEL PARTS

For Models: KUDS25SHBL1, KUDS25SHWH1, KUDS25SHAL1, KUDS25SHBT1
 (Black) (White) (Almond) (BISCUIT)

UNDERCOUNTER
 DISHWASHER

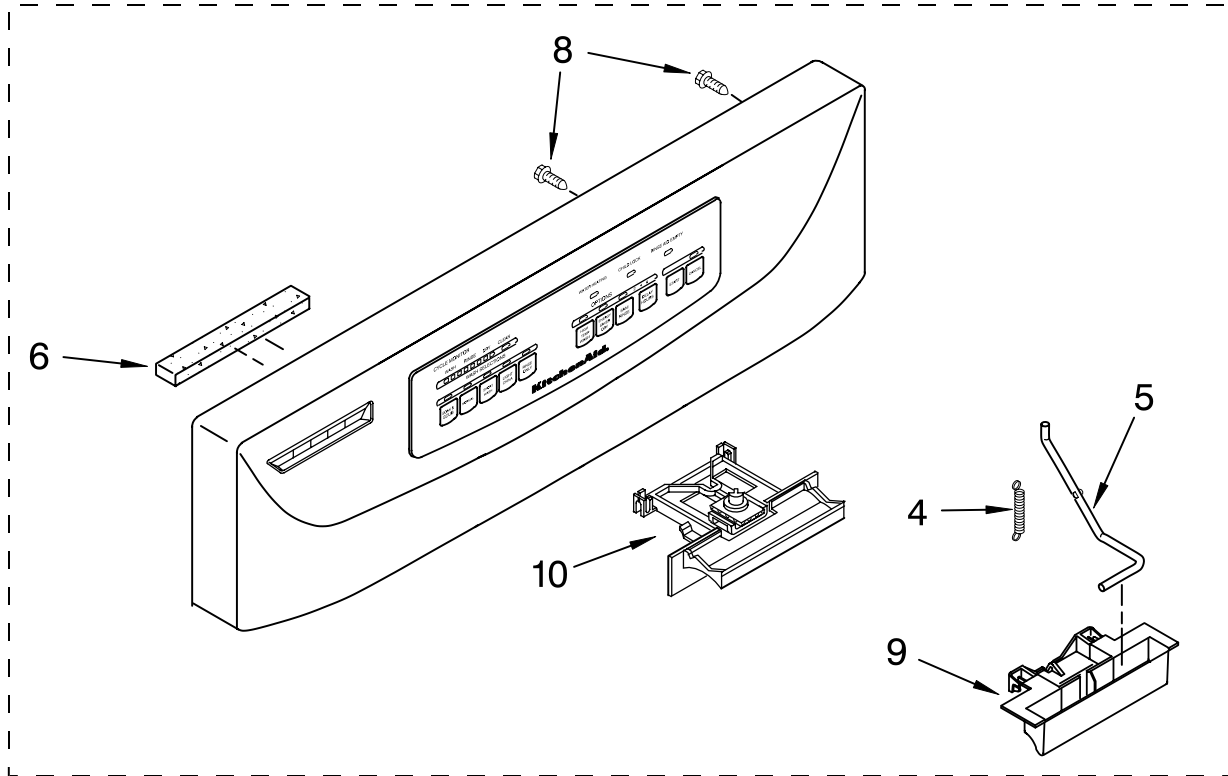


Illus. No.	Part No.	DESCRIPTION
1	LIT9743822	Literature Parts Instructions
	LIT9744391	Energy Guide
	LIT9744039	Guide, Use&Care Tech Sheet
	LIT9744033	English
	LIT9744034	French
2	302868	Screw
3	9742964	Stiffener, Door
4		Panel Front
	3379375	Black Model
	3379376	White Model
	3379377	Almond Model
	8054178	Biscuit Model
5		Access Panel & Clip Assembly (Includes Items 11 & 12)
	9744392	Black Model
	9744393	White Model
	9744394	Almond Model
	9744395	Biscuit Model
6	9743986	Spring, Door (2)
7	3373234	Bushing, Spring Door (2)
8		Toe Panel (Includes Item 11)
	9744147	Black Model
	9744148	White Model
	9744149	Almond Model
	8054181	Biscuit Model
9	9743788	Frame, Door
10	9743825	Insulation
11	3379326	Insulation
12	3378123	Clip, Grounding
13	3367670	Screw (2)
14	9744140	Seal, Toe Panel
15	3400803	Screw (2)
21	8054188	Barrier, Lower Vent

FOR ORDERING INFORMATION REFER TO PARTS PRICE LIST

CONTROL PANEL PARTS

For Models: KUDS25SHBL1, KUDS25SHWH1, KUDS25SHAL1, KUDS25SHBT1
 (Black) (White) (Almond) (BISCUIT)



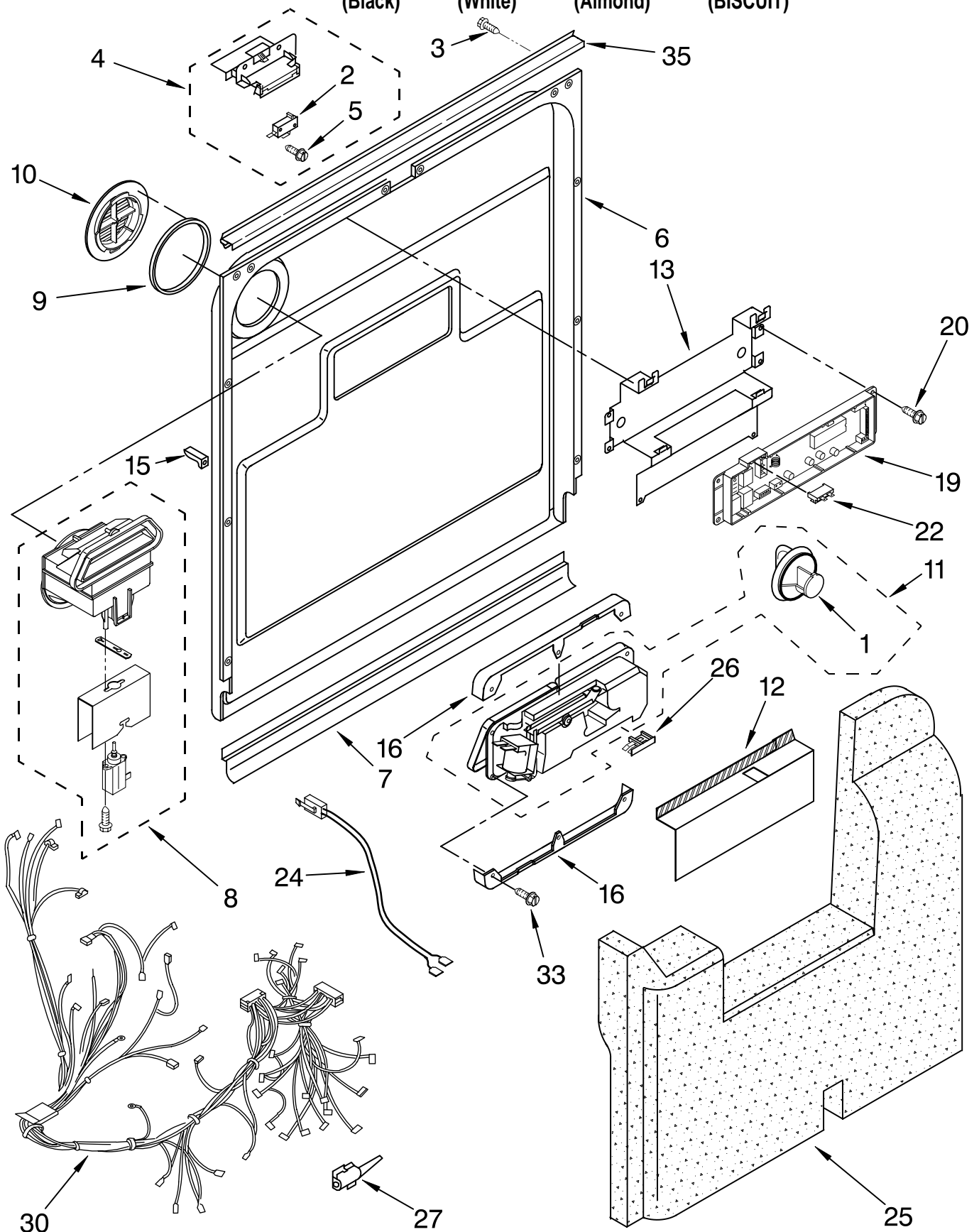
1

Illus. No.	Part No.	DESCRIPTION
1		Console Asm. includes Active Overlay & Insert
	9744112	Black Model
	9744113	White Model
	9744114	Almond Model
	9744115	Biscuit Model
4	9743573	Spring, Handle
5	9743572	Link, Handle
6	9743412	Sponge, Vent
8	3369051	Screw (4)
9		Handle, Latch
	9743903	Black Model
	9743904	White Model
	9743905	Almond Model
	9743906	Biscuit Model
10	3380655	Latch Lever Asm.

FOR ORDERING INFORMATION REFER TO PARTS PRICE LIST

DOOR AND LATCH PARTS

For Models: KUDS25SHBL1, KUDS25SHWH1, KUDS25SHAL1, KUDS25SHBT1
(Black) (White) (Almond) (BISCUIT)



FOR ORDERING INFORMATION REFER TO PARTS PRICE LIST

DOOR AND LATCH PARTS

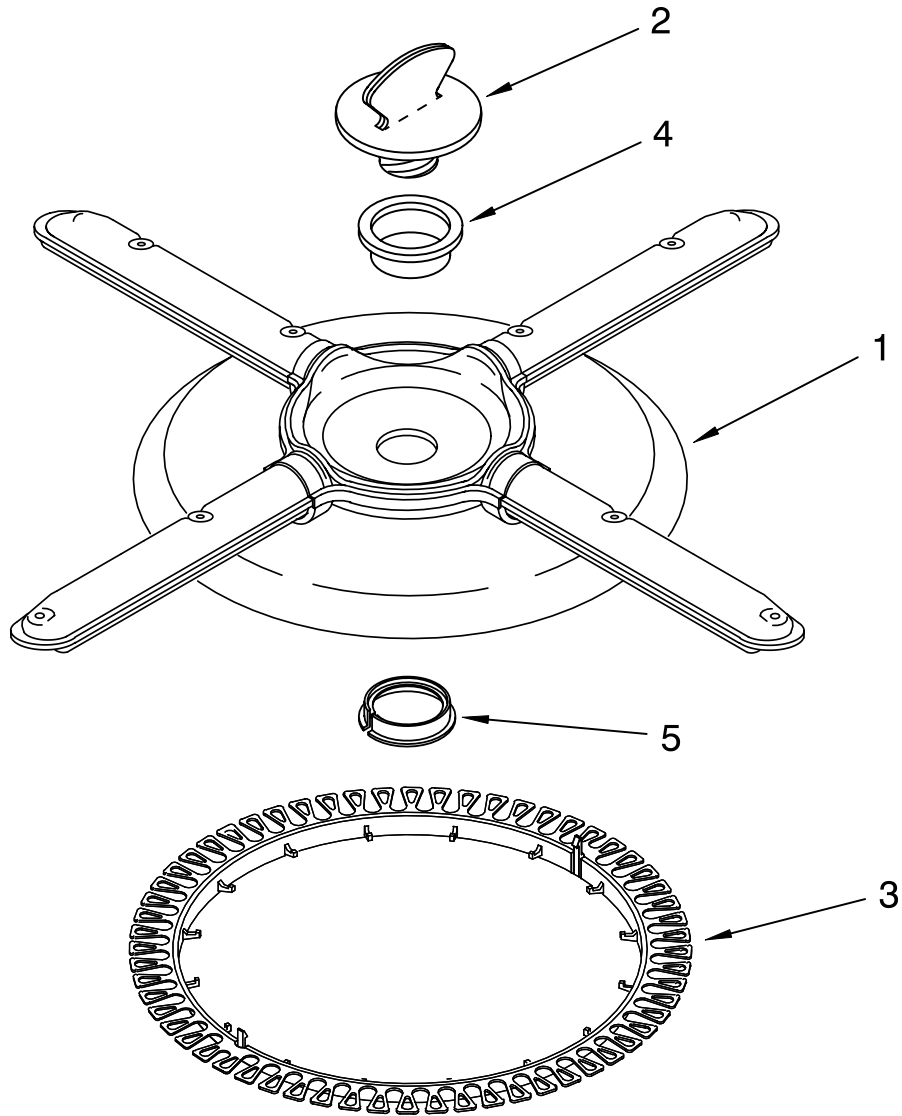
For Models: KUDS25SHBL1, KUDS25SHWH1, KUDS25SHAL1, KUDS25SHBT1
 (Black) (White) (Almond) (BISCUIT)

Illus. No.	Part No.	DESCRIPTION
1	9743399	Knob, Dispenser
2	3369325	Switch
3	3369051	Screw, Door
4	3380654	Latch, Bolt Assy. (Includes Item 2)
5	3400404	Screw
6	9742353	Inner Door Mastic Assembly (Also Includes Items 7, 9 & 10)
7	9743542	Seal, Door Lower
8	9742770	Vent Assembly (Also Order Item 9)
9	9742782	Gasket, Vent
10	9742780	Deflector, Vent (Also Order Item 9)
11	9744335	Dispenser, Assembly
12	9743450	Shield, Dispenser
13	9742623	Bracket, Controls
15	9743487	Guide, Door
16	9743486	Bracket, Dispenser (2)
19	9744031	Control, Electronic
20	3177991	Screw (2)
22	9743451	Fuse Thermal Electronic
24	9743154	Dispenser, Wiring Harness
25	9742397	Sound Absorber
26	9742852	Sensor, Rinse Aid
27	3376405	Elbow, Harness
30	9744027	Wiring Harness Main
33	3400700	Screw (6)
35	9743806	Seal, Console/door

FOR ORDERING INFORMATION REFER TO PARTS PRICE LIST

LOWER WASHARM AND STRAINER PARTS

For Models: KUDS25SHBL1, KUDS25SHWH1, KUDS25SHAL1, KUDS25SHBT1
(Black) (White) (Almond) (BISCUIT)

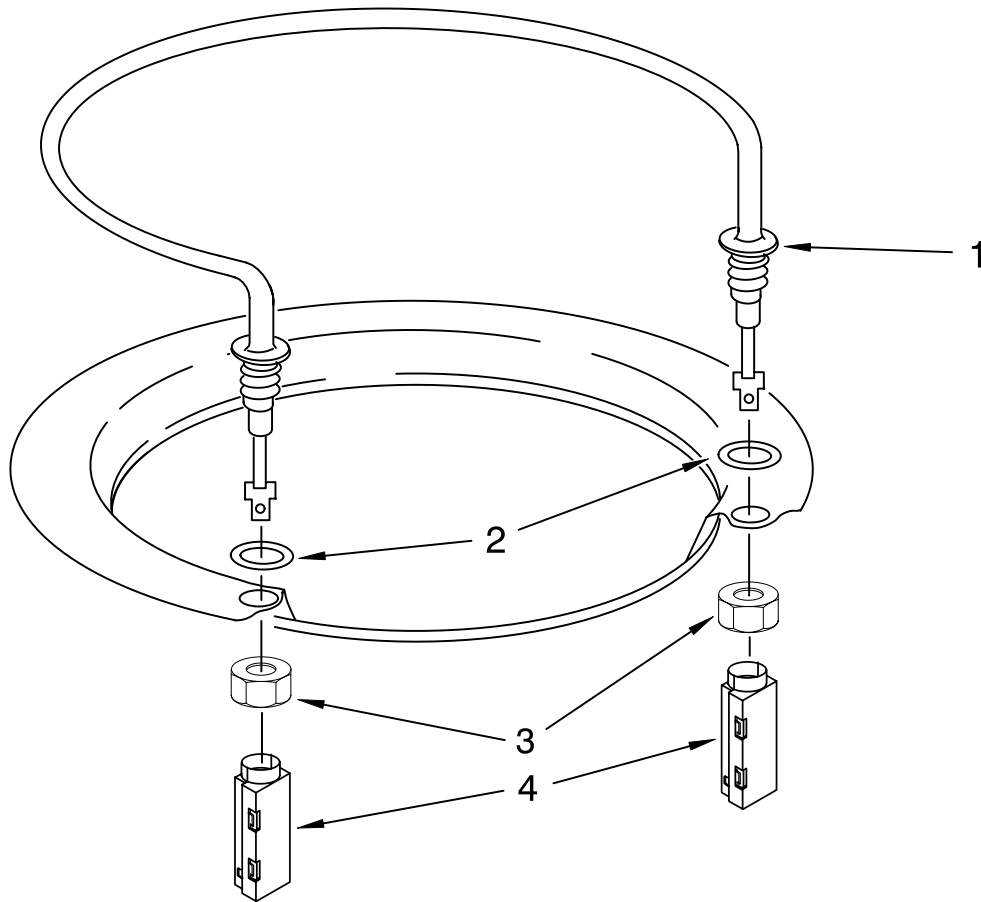


Illus. No.	Part No.	DESCRIPTION
1	9742947	Wash Arm Assembly
2	9742945	Nut, Washarm
3	9742646	Strainer (Coarse)
4	9742946	Bearing, Radial
5	3376846	Seal, Sprayarm

FOR ORDERING INFORMATION REFER TO PARTS PRICE LIST

HEATER PARTS

For Models: KUDS25SHBL1, KUDS25SHWH1, KUDS25SHAL1, KUDS25SHBT1
(Black) (White) (Almond) (BISCUIT)

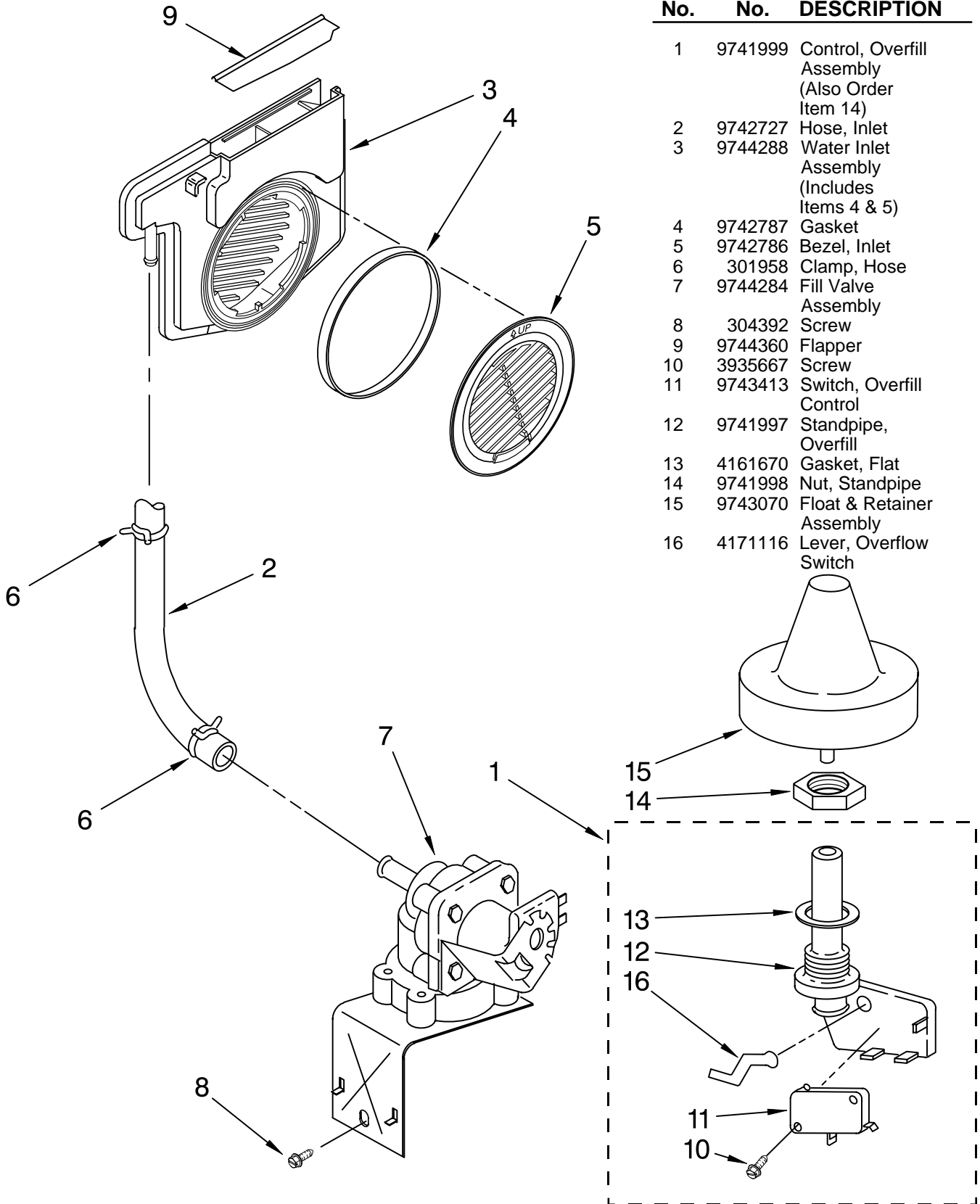


Illus. No.	Part No.	DESCRIPTION
1	9743495	Heater Element Assembly (Also Includes Item 2)
2	717273	Washer, Heater Element
3	9743039	Nut, Heater Element
4	9743166	Pod, Terminal Heater

FOR ORDERING INFORMATION REFER TO PARTS PRICE LIST

FILL AND OVERFILL PARTS

For Models: KUDS25SHBL1, KUDS25SHWH1, KUDS25SHAL1, KUDS25SHBT1
 (Black) (White) (Almond) (BISCUIT)



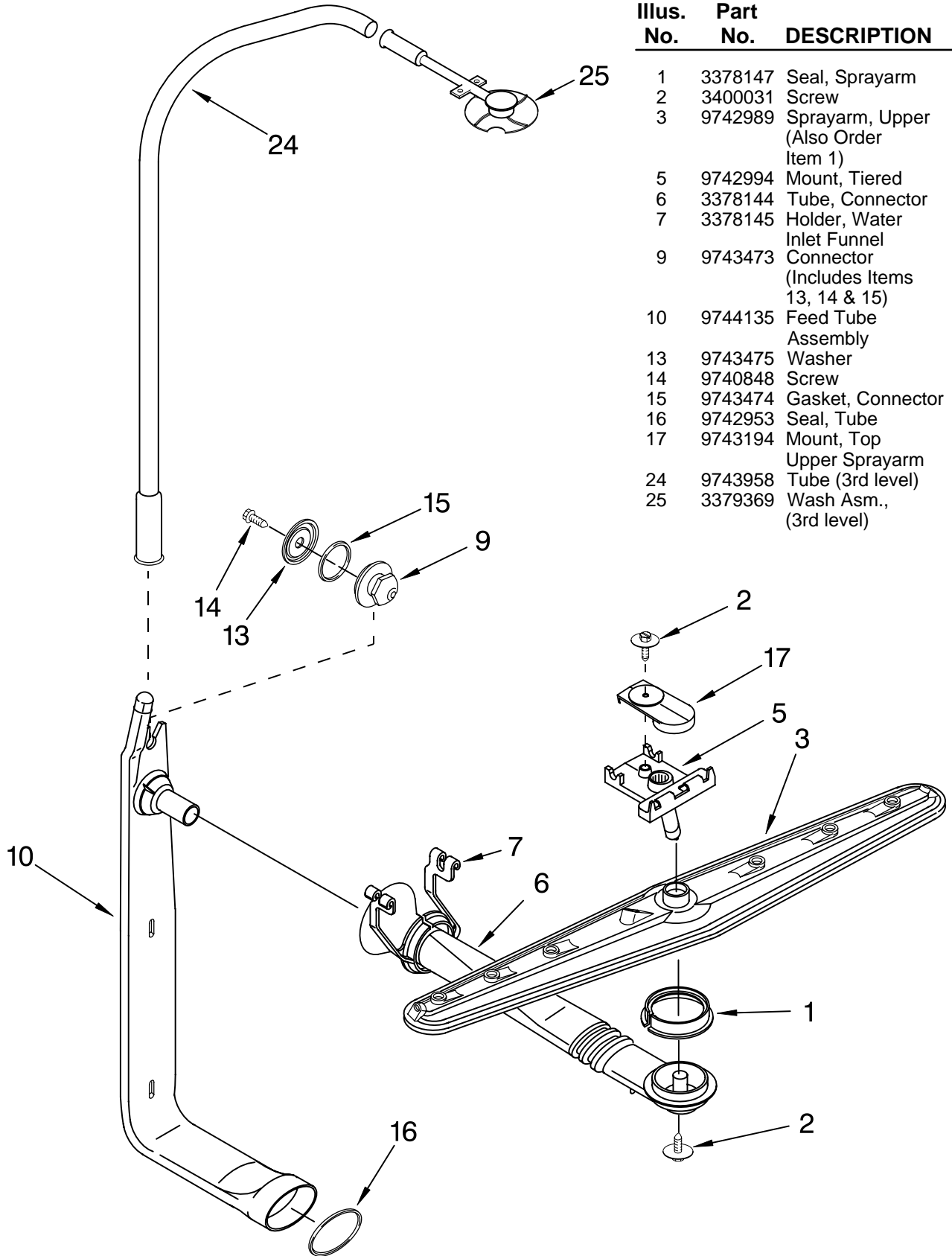
Illus. No.	Part No.	DESCRIPTION
------------	----------	-------------

- | | | |
|----|---------|---|
| 1 | 9741999 | Control, Overflow Assembly (Also Order Item 14) |
| 2 | 9742727 | Hose, Inlet |
| 3 | 9744288 | Water Inlet Assembly (Includes Items 4 & 5) |
| 4 | 9742787 | Gasket |
| 5 | 9742786 | Bezel, Inlet |
| 6 | 301958 | Clamp, Hose |
| 7 | 9744284 | Fill Valve Assembly |
| 8 | 304392 | Screw |
| 9 | 9744360 | Flapper |
| 10 | 3935667 | Screw |
| 11 | 9743413 | Switch, Overflow Control |
| 12 | 9741997 | Standpipe, Overflow |
| 13 | 4161670 | Gasket, Flat |
| 14 | 9741998 | Nut, Standpipe |
| 15 | 9743070 | Float & Retainer Assembly |
| 16 | 4171116 | Lever, Overflow Switch |

FOR ORDERING INFORMATION REFER TO PARTS PRICE LIST

UPPER WASH AND RINSE PARTS

For Models: KUDS25SHBL1, KUDS25SHWH1, KUDS25SHAL1, KUDS25SHBT1
 (Black) (White) (Almond) (BISCUIT)

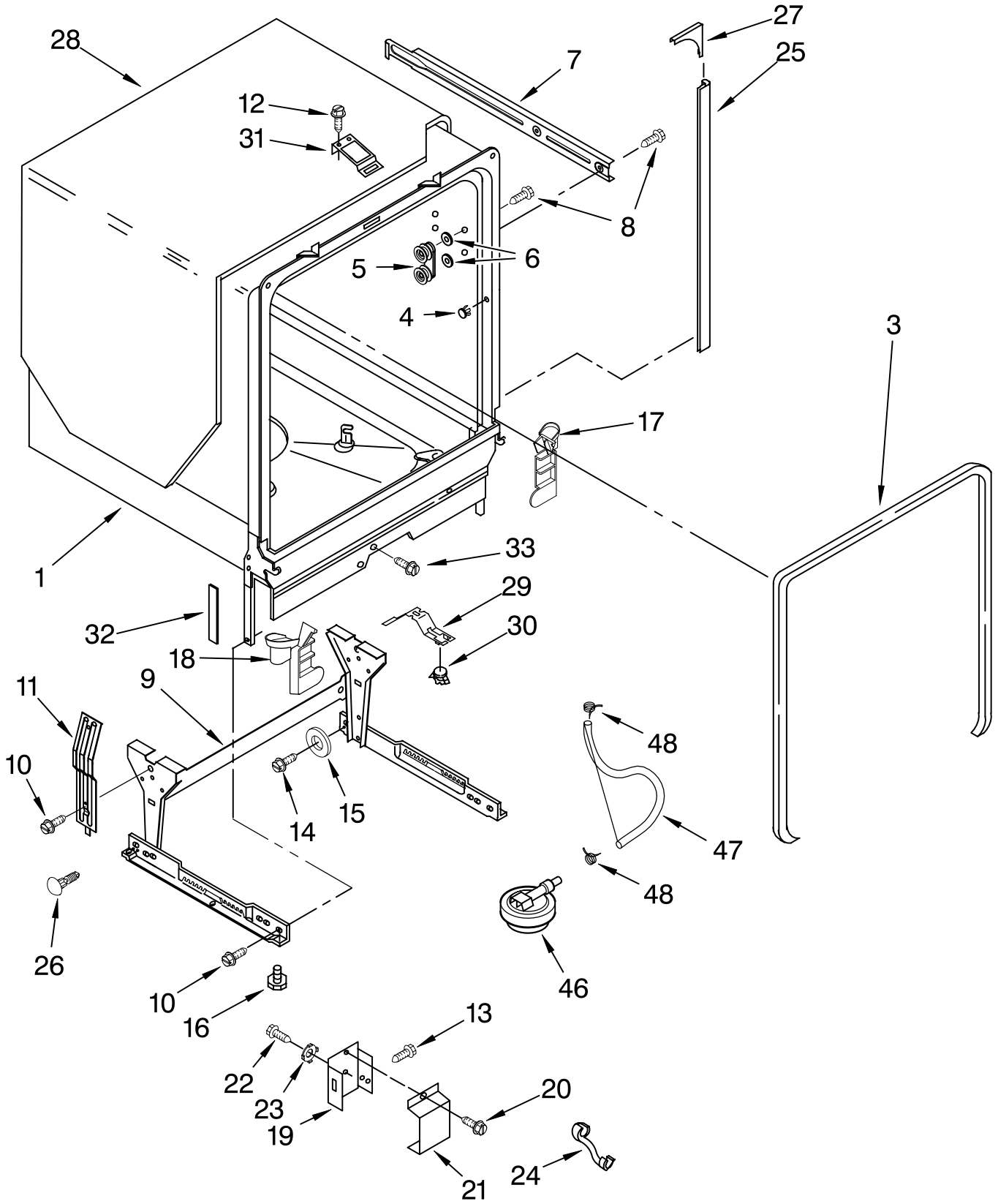


Illus. No.	Part No.	DESCRIPTION
1	3378147	Seal, Sprayarm
2	3400031	Screw
3	9742989	Sprayarm, Upper (Also Order Item 1)
5	9742994	Mount, Tiered
6	3378144	Tube, Connector
7	3378145	Holder, Water Inlet Funnel
9	9743473	Connector (Includes Items 13, 14 & 15)
10	9744135	Feed Tube Assembly
13	9743475	Washer
14	9740848	Screw
15	9743474	Gasket, Connector
16	9742953	Seal, Tube
17	9743194	Mount, Top Upper Sprayarm
24	9743958	Tube (3rd level)
25	3379369	Wash Asm., (3rd level)

FOR ORDERING INFORMATION REFER TO PARTS PRICE LIST

TUB AND FRAME PARTS

For Models: KUDS25SHBL1, KUDS25SHWH1, KUDS25SHAL1, KUDS25SHBT1
 (Black) (White) (Almond) (BISCUIT)



FOR ORDERING INFORMATION REFER TO PARTS PRICE LIST

TUB AND FRAME PARTS

For Models: KUDS25SHBL1, KUDS25SHWH1, KUDS25SHAL1, KUDS25SHBT1
 (Black) (White) (Almond) (BISCUIT)

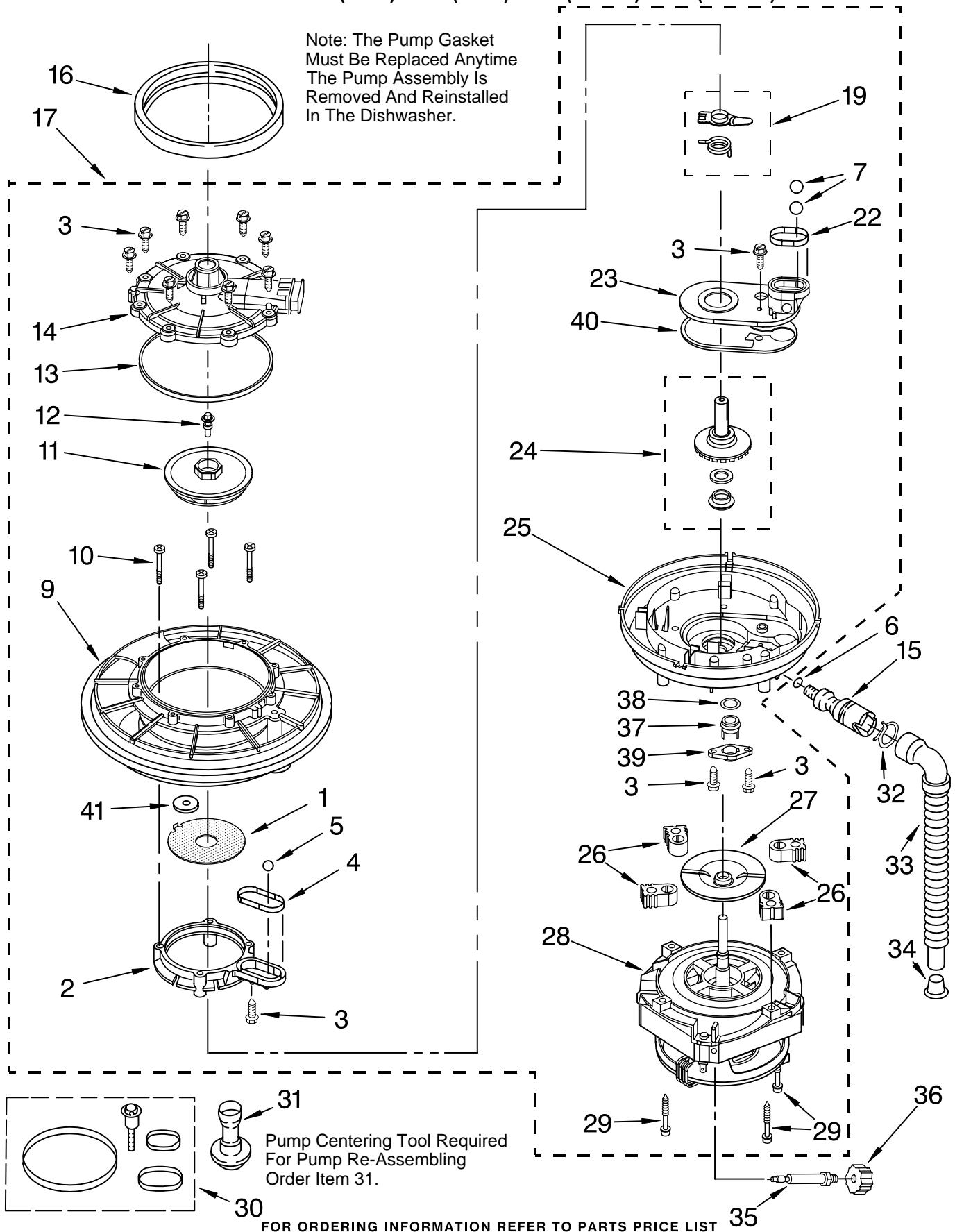
Illus. No.	Part No.	DESCRIPTION
1	9744192	Tub Assembly
3	9743590	Door Seal
4	9742788	Plug Tub (2)
5	9743468	Wheel & Mount Assembly (Also Order Item 6)
6	9743002	Gasket, Bracket Mounting
7	3378056	Tub Stiffener
8	3400003	Screw (8)
9	9743149	Rear Support Assembly
10	343641	Screw
11	9742610	Connector Tub To Brace
12	90767	Screw (2)
13	304392	Screw
14	3370389	Screw (2)
15	302819	Wheel Leg
16	3374849	Leveler, Leg
17	9743488	Spacer, Tank - RH
18	9743489	Spacer, Tank - LH
19	3378131	Terminal Box
20	3369138	Screw
21	300068	Cover, Terminal Box
22	3400014	Screw
23	3378128	Washer
24	3370307	Strain, Relief
25	9743460	Trim Strip, Tub
26	304666	Retainer, Push (2)
27	9742789	Corner Trim, Tub
28	9742661	Shield, Sound Tub
29	9742648	Bracket, Thermostat
30	661566	Thermostat
31	9742722	Strike, Latch
32	3379938	Pad, Friction
33	3370225	Screw, Ground
46	3380871	Switch, Pressure
47	3380785	Hose, Pressure Switch
48	3380943	Clamp, Hose (2)

FOR ORDERING INFORMATION REFER TO PARTS PRICE LIST

PUMP AND MOTOR PARTS

For Models: KUDS25SHBL1, KUDS25SHWH1, KUDS25SHAL1, KUDS25SHBT1
 (Black) (White) (Almond) (BISCUIT)

Note: The Pump Gasket Must Be Replaced Anytime The Pump Assembly Is Removed And Reinstalled In The Dishwasher.



FOR ORDERING INFORMATION REFER TO PARTS PRICE LIST

PUMP AND MOTOR PARTS

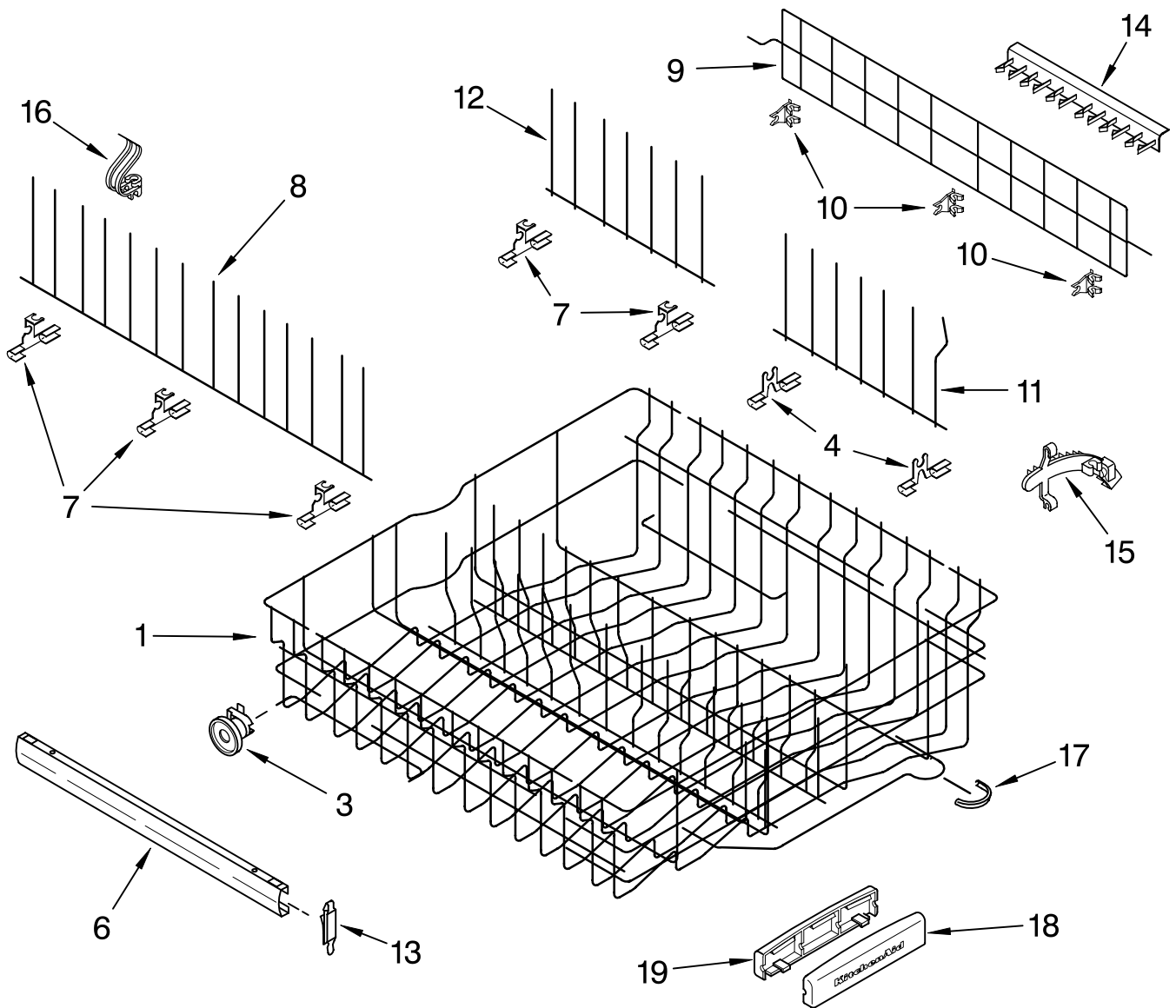
For Models: KUDS25SHBL1, KUDS25SHWH1, KUDS25SHAL1, KUDS25SHBT1
 (Black) (White) (Almond) (BISCUIT)

Illus. No.	Part No.	DESCRIPTION	Illus. No.	Part No.	DESCRIPTION	Illus. No.	Part No.	DESCRIPTION
1	9740982	Plate, Perforated (Also Order Item 30) See Note A.	16	717000	Gasket, Pump	28	3377333	Motor & Fan (Assembly) (Includes Item 27)
2	3367173	Base, Inlet (Includes Items 1 & 5) (Also Order Item 30) See Note A.	17	8051311	Pump & Motor Assembly (Includes Item 16)			(Also Order Item 30) See Note A.
3	9741232	Screw	19	3378175	Chopper Kit (Also Order Item 30) See Note A.	29	3369331	Screw (4)
4	302710	Seal, Inlet Base	22	302704	Seal, Drain Cover	30	675703	Pump Seal Kit (Includes Items 4, 12, 13 & 22)
5	302709	Ball, Check	23	3376845	Cover, Drain (Also Order Item 30 & 40) See Note A.	31	303918	Tool, Pump Centering
6	95080	"O" Ring	24	303539	Impeller, Drain Kit (Also Order Item 30) See Note A.	32	356138	Clamp, Hose
7	719929	Ball, Check (2)				33	3374077	Hose, Drain
9	3380788	Filter Assembly				34	3371748	Cap, Drain
10	3400001	Screw				35	3374757	Shaft, Absorber
11	3378176	Impeller, Wash (Includes Items 12 & 13)	25	3379336	Base, Pump (Also Order Item 30) See Note A.	36	3378202	Weight, Absorber
12	3371152	Screw & Seal,				37	9743158	Thermister
13	302711	Seal, Pump Outlet				38	3376723	Seal, O-Ring
14	9742973	Outlet, Pump (Includes Item 13)	26	3367197	Support, Pump Mounting (4)	39	3376358	Retainer, Thermostat
15	3369482	Check Valve (Includes Item 6)	27	3368270	Slinger (Also Order Item 30) (See Note A.)	40	9740674	Gasket, Drain Cover
						41	3379340	Seal, Pump base

FOR ORDERING INFORMATION REFER TO PARTS PRICE LIST

UPPER RACK AND TRACK PARTS

For Models: KUDS25SHBL1, KUDS25SHWH1, KUDS25SHAL1, KUDS25SHBT1
 (Black) (White) (Almond) (BISCUIT)



Illus. No.	Part No.	DESCRIPTION
1	3380949	Dishrack, Upper (Also Order Item 3)
3	9742983	Wheel & Bearing Assembly (4)
4	9743016	Pivot, Upper Tine Row (2)
6	9742998	Track, Rack (2)
7	9743017	Clip, Tine Row (5)

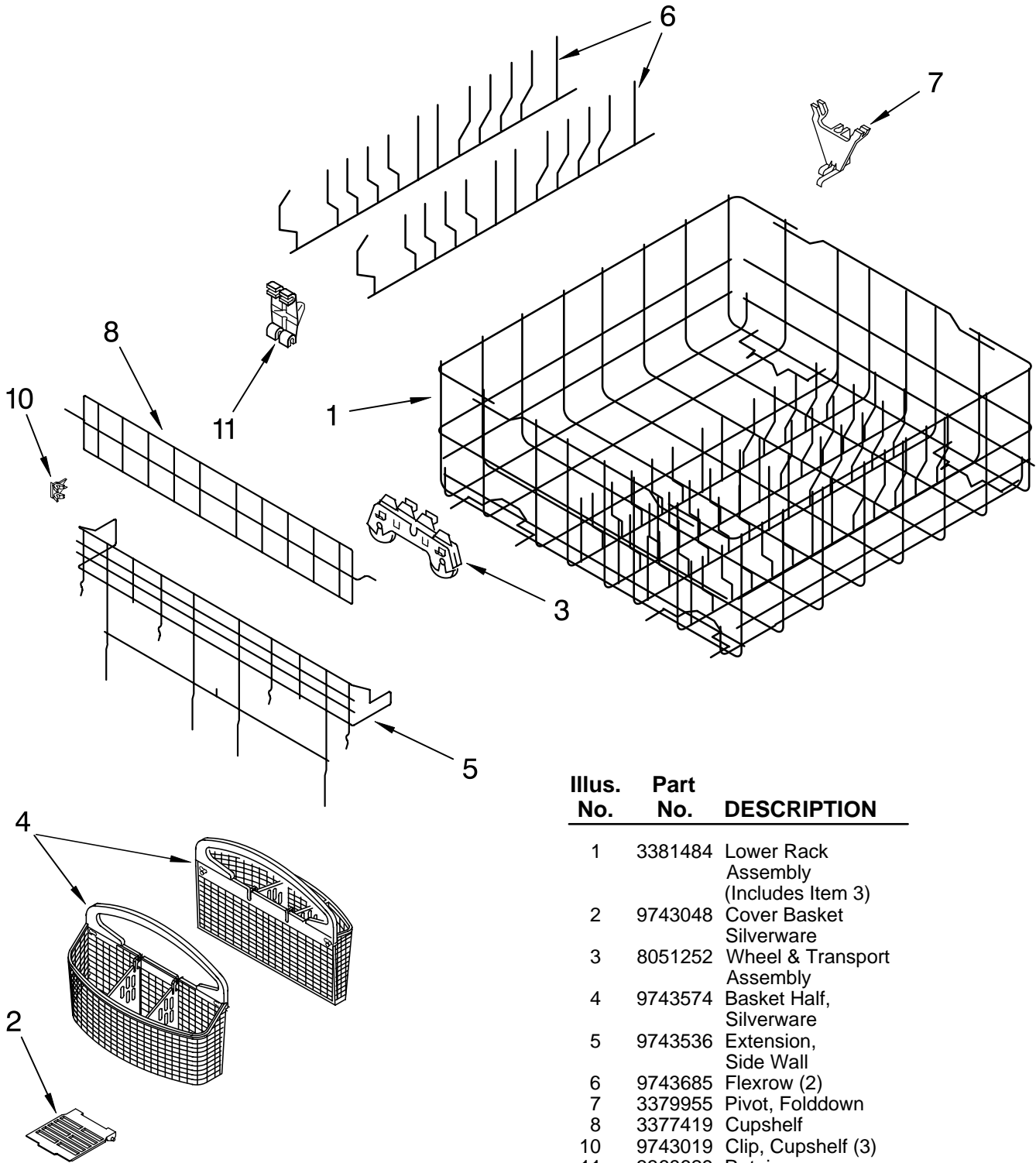
Illus. No.	Part No.	DESCRIPTION
8	3377429	Tine Row
9	3380784	Cupshelf
10	9743019	Clip, Cupshelf
11	3377443	Tine Row, Upper (Multi Position)
12	3377439	Tine Row, Upper Mini
13	3379941	Track Stop (4)

Illus. No.	Part No.	DESCRIPTION
14	3377604	Holder, Stemware (2)
15	9743018	Positioner
16	3377464	Clip, No Flip (4)
17	9742999	Protector, Sprayarm Guard
18	9743010	Handle, Dishrack Front
19	9743011	Handle, Dishrack Rear

FOR ORDERING INFORMATION REFER TO PARTS PRICE LIST

LOWER RACK PARTS

For Models: KUDS25SHBL1, KUDS25SHWH1, KUDS25SHAL1, KUDS25SHBT1
 (Black) (White) (Almond) (BISCUIT)

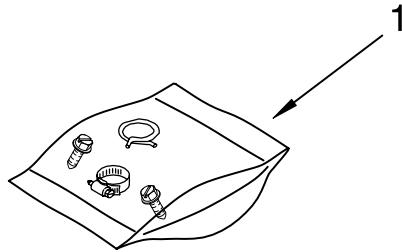


Illus. No.	Part No.	DESCRIPTION
1	3381484	Lower Rack Assembly (Includes Item 3)
2	9743048	Cover Basket Silverware
3	8051252	Wheel & Transport Assembly
4	9743574	Basket Half, Silverware
5	9743536	Extension, Side Wall
6	9743685	Flexrow (2)
7	3379955	Pivot, Folddown
8	3377419	Cupshelf
10	9743019	Clip, Cupshelf (3)
11	3368629	Retainer, Flexrow (2)

FOR ORDERING INFORMATION REFER TO PARTS PRICE LIST

MISCELLANEOUS PARTS

For Models: KUDS25SHBL1, KUDS25SHWH1, KUDS25SHAL1, KUDS25SHBT1
 (Black) (White) (Almond) (BISCUIT)



Illus. No.	Part No.	DESCRIPTION
1	3369816	Miscellaneous Parts Bag (Includes 2 Screws & 2 Hose Clamps)

LITERATURE AND OPTIONAL PARTS

Illus. No.	Part No.	DESCRIPTION
ACCESSORIES		
SIDE PANEL KITS		
	4378867	White
	4378868	Black
	4378869	Almond
Door Frame Kits		
		Framed
	4378864	White
	4378865	Black
	4378866	Almond
		Frameless
	4378861	White
	4378862	Black
	4378863	Almond

Illus. No.	Part No.	DESCRIPTION
PAINT, TOUCH-UP (1/2oz.)		
	72017	White
	72107	Almond
	72032	Black
	4392899	Biscuit
PAINT, PRESSURIZED SPRAY (12 oz.)		
	350930	White
	350956	Almond
	285006	Superior Black
	4392901	Biscuit

Illus. No.	Part No.	DESCRIPTION
PAINT, BULK (1 qt.)		
	799344	White (Uncut)
	978883	Almond (Uncut)
	4392900	Biscuit
HARD START KIT		
	4317824	Hard Start Kit (Includes Power Cord & Misc. Hardware)
ANTI-TIP KIT		
	4378968	Floor Mount Kit
Tub Cleaner:		
	4319102	Glisten

FOR ORDERING INFORMATION REFER TO PARTS PRICE LIST