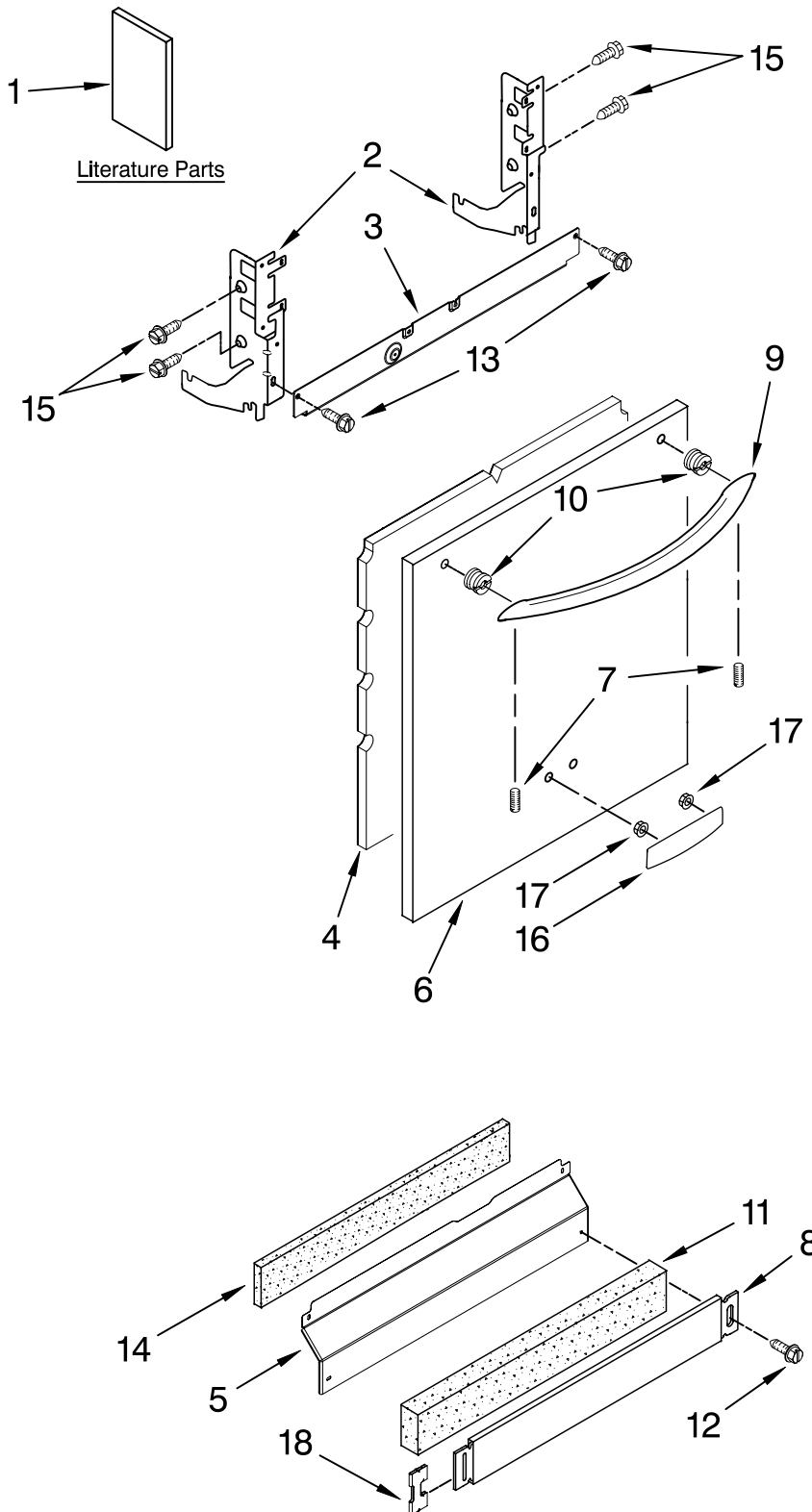


KitchenAid® DOOR AND PANEL PARTS

For Models: KUDS03FTBL1, KUDS03FTWH1, KUDS03FTBT1, KUDS03FTSS1
 (Black) (White) (Biscuit) (Stainless)

UNDERCOUNTER
 DISHWASHER

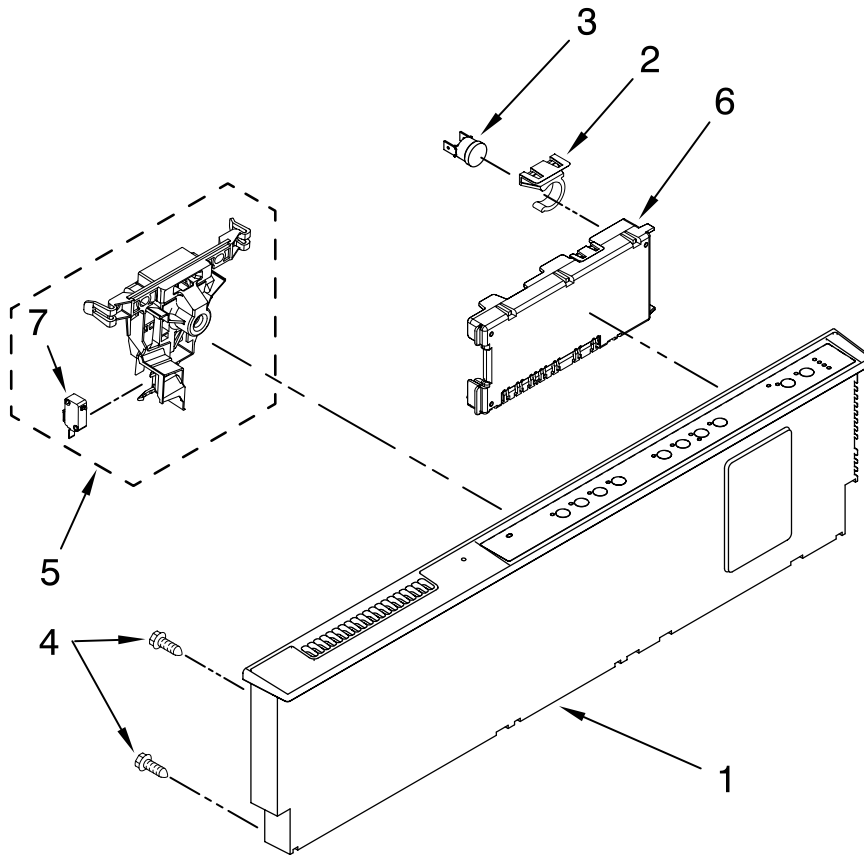


| Illus. No. | Part No. | DESCRIPTION |
|------------|-----------|---|
| 1 | W10078153 | Literature Parts |
| | | Instructions, Installation |
| | W10111124 | Energy Guide |
| | W10084169 | D/W User Instructions, Spanish |
| | W10084091 | D/W User Instructions, English/French |
| | W10082651 | Tech Sheet |
| 2 | | Arm, Hinge |
| | 8534854 | Left |
| | 8534853 | Right |
| 3 | 8564886 | Stiffener, Door |
| 4 | 8542577 | Insulation, Door |
| 5 | | Access Panel (Includes Item 14) |
| | 8558260 | Black |
| | 8558261 | White |
| | 8558262 | Biscuit |
| 6 | | Panel, Full Front (Includes Items 4, 10, 16 & 17) |
| | W10078007 | Black |
| | W10078008 | White |
| | W10078009 | Biscuit |
| | W10137623 | Stainless |
| 7 | 8534008 | Screw |
| 8 | | Toe Panel (Includes Items 11 & 18) |
| | 8558252 | Black |
| | 8558253 | White |
| | 8558254 | Biscuit |
| 9 | | Handle Assy |
| | W10083936 | Black |
| | W10083937 | White |
| | W10083938 | Biscuit |
| | W10083935 | Stainless |
| 10 | 8564951 | Stud, Mounting |
| 11 | W10073550 | Insulation, Toe Panel |
| 12 | | Screw |
| | 302868 | Black |
| | 3400836 | White |
| | 3400865 | Biscuit |
| 13 | 304392 | Screw |
| 14 | W10073540 | Insulation, Access Panel |
| 15 | 3400071 | Screw |
| 16 | | Nameplate |
| | W10021860 | Black |
| | W10021870 | White |
| | W10021880 | Biscuit |
| | W10021850 | Stainless |
| 17 | 2004333 | Nut |
| 18 | 8269016 | Clip, Grounding |

FOR ORDERING INFORMATION REFER TO PARTS PRICE LIST

CONTROL PANEL PARTS

For Models: KUDS03FTBL1, KUDS03FTWH1, KUDS03FTBT1, KUDS03FTSS1
 (Black) (White) (Biscuit) (Stainless)

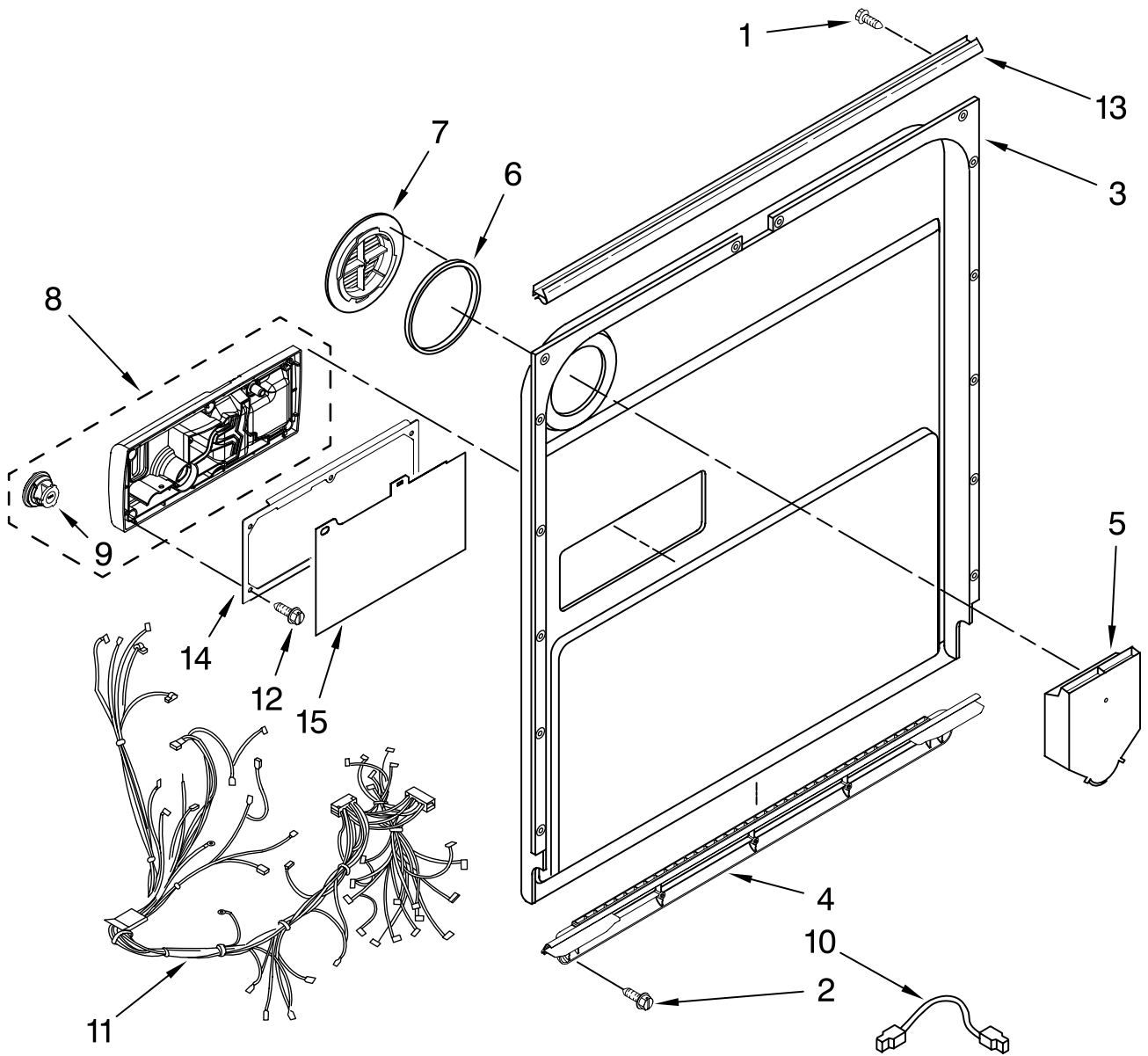


| Illus. No. | Part No. | DESCRIPTION |
|------------|-----------|---------------------------------------|
| 1 | | Console Assembly (Includes Insert) |
| | W10084174 | Black |
| | W10084175 | White |
| | W10084176 | Biscuit |
| | W10084177 | Stainless |
| 2 | 8546546 | Clip, BI-Metal |
| 3 | 661663 | Bi-Metal |
| 4 | 3369051 | Screw |
| 5 | W10077360 | Latch Assembly |
| 6 | W10084141 | Control, Electronic |
| 7 | W10134019 | Switch, Door |

FOR ORDERING INFORMATION REFER TO PARTS PRICE LIST

DOOR AND LATCH PARTS

For Models: KUDS03FTBL1, KUDS03FTWH1, KUDS03FTBT1, KUDS03FTSS1
 (Black) (White) (Biscuit) (Stainless)



| Illus. No. | Part No. | DESCRIPTION |
|------------|-----------|--|
| 1 | 3369051 | Screw, Door |
| 2 | 8281217 | Screw |
| 3 | 8530900 | Inner Door Mastic Assembly (Also Order Item 6) |
| 4 | W10077883 | Inlet, Air |
| 5 | 8572611 | Vent Assembly (Also Order Item 6) |

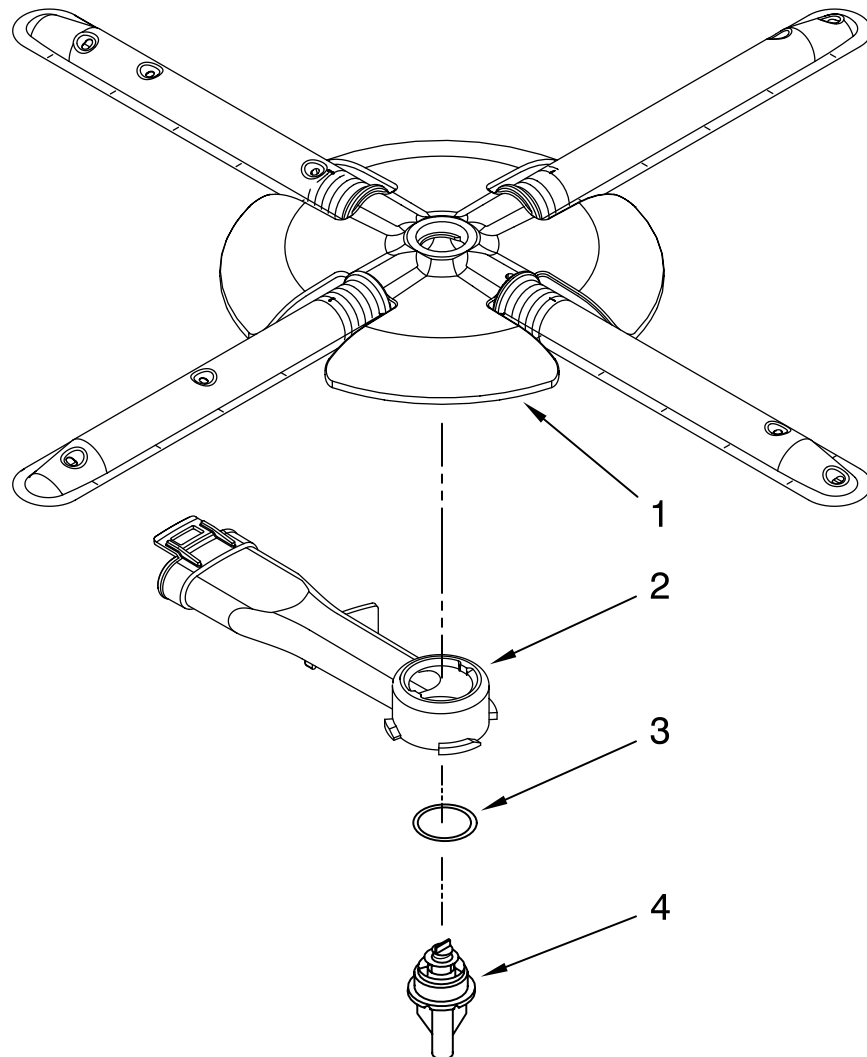
| Illus. No. | Part No. | DESCRIPTION |
|------------|-----------|-------------------------------------|
| 6 | 8269259 | Gasket, Vent |
| 7 | W10077877 | Deflector, Vent (Also Order Item 6) |
| 8 | W10077882 | Dispenser, Assembly |
| 9 | W10077881 | Knob, Rinse Aid |
| 10 | 8545608 | Harness, Vent Motor |

| Illus. No. | Part No. | DESCRIPTION |
|------------|-----------|--------------------|
| 11 | W10078202 | Wiring Harness |
| 12 | 8281154 | Screw |
| 13 | 8535660 | Seal, Console/door |
| 14 | 8535637 | Bracket, Dispenser |
| 15 | 8531865 | Shield, Dispenser |

FOR ORDERING INFORMATION REFER TO PARTS PRICE LIST

LOWER WASHARM AND STRAINER PARTS

For Models: KUDS03FTBL1, KUDS03FTWH1, KUDS03FTBT1, KUDS03FTSS1
(Black) (White) (Biscuit) (Stainless)

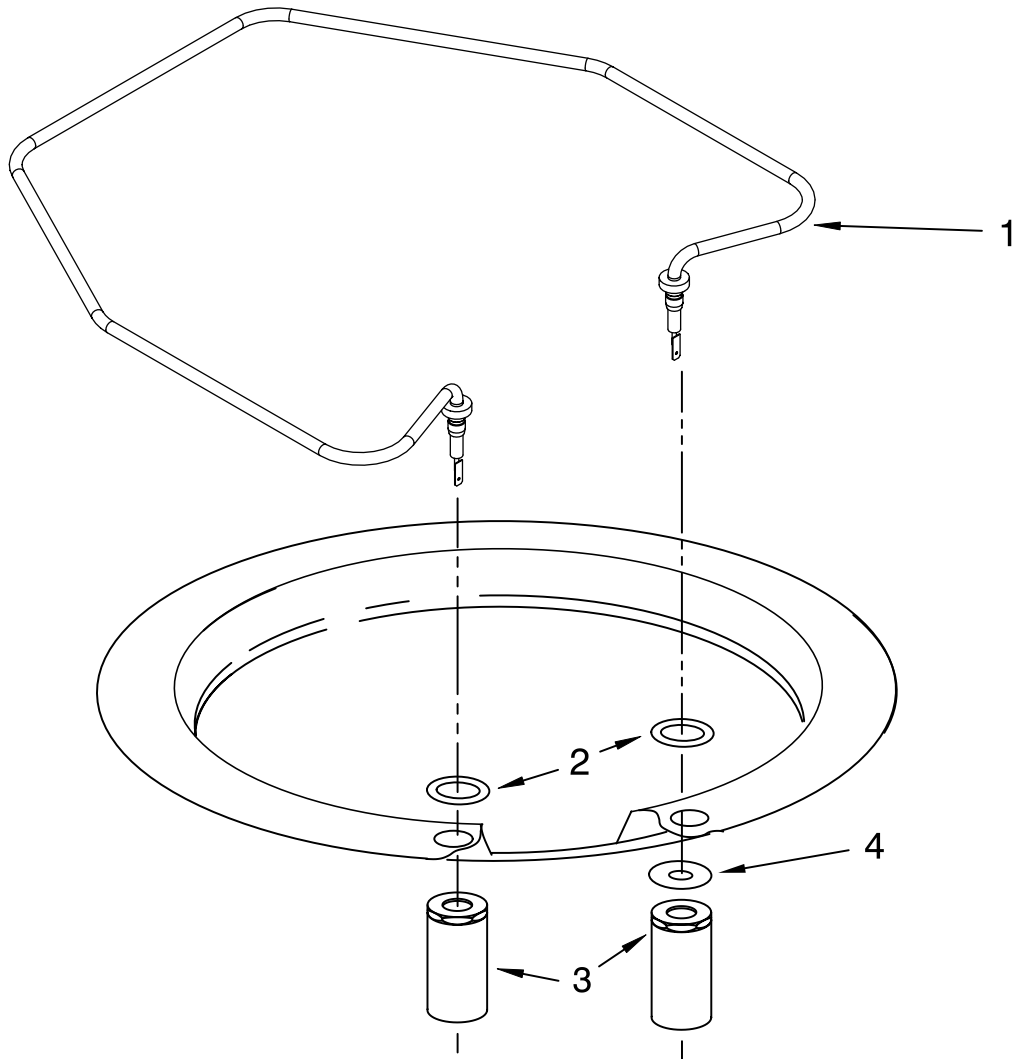


| Illus. No. | Part No. | DESCRIPTION |
|-------------------|-----------------|--|
| 1 | W10077965 | Wash Arm Assembly |
| 2 | W10077899 | Cap, Internal Rear Feed (Also Order Item 3) |
| 3 | 8268340 | Seal, Sprayarm |
| 4 | W10077898 | Hub, Lower Sprayarm (Also Order Item 3) |

FOR ORDERING INFORMATION REFER TO PARTS PRICE LIST

HEATER PARTS

For Models: KUDS03FTBL1, KUDS03FTWH1, KUDS03FTBT1, KUDS03FTSS1
 (Black) (White) (Biscuit) (Stainless)



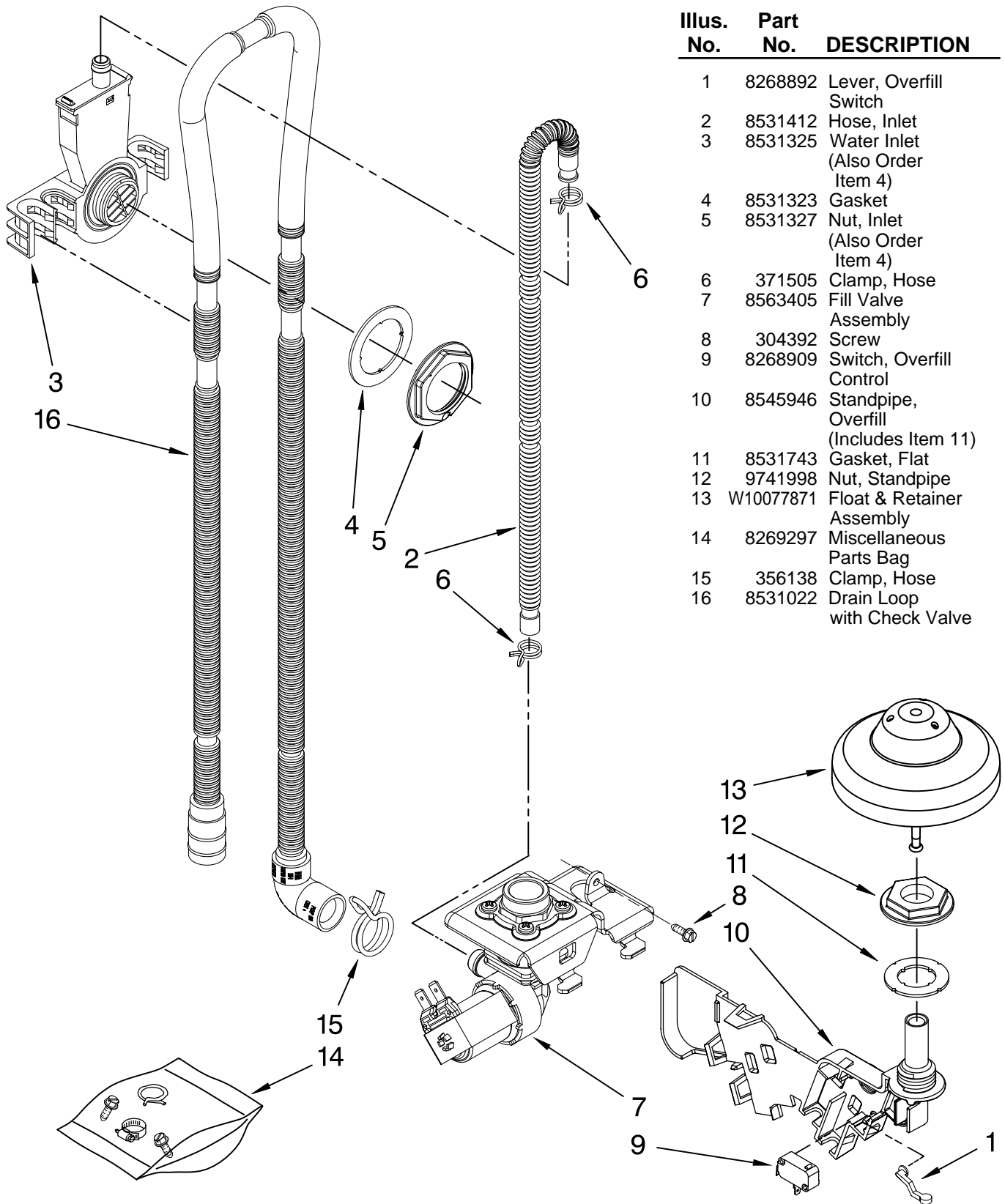
| Illus. No. | Part No. | DESCRIPTION |
|------------|----------|---|
| 1 | 8537057 | Heater Element Assembly (Also Includes Item 2) |
| 2 | 717273 | Washer, Heater Element |
| 3 | 8268548 | Nut, Heater Element |
| 4 | 3400931 | Retainer, Spring Grip |

NOTE: If heater element is removed, it must be replaced.

FOR ORDERING INFORMATION REFER TO PARTS PRICE LIST

FILL, DRAIN, AND OVERFILL PARTS

For Models: KUDS03FTBL1, KUDS03FTWH1, KUDS03FTBT1, KUDS03FTSS1
 (Black) (White) (Biscuit) (Stainless)

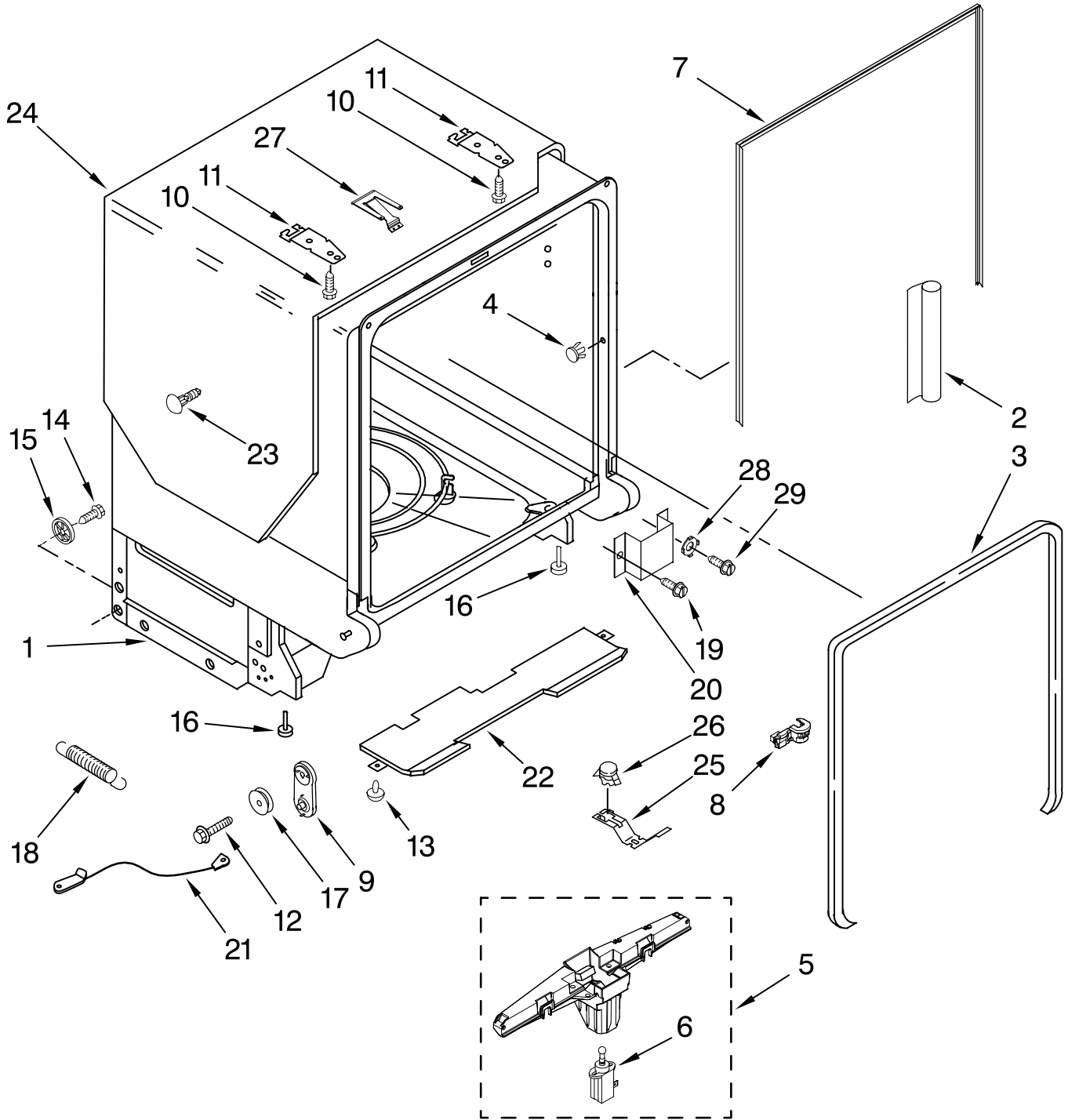


| Illus. No. | Part No. | DESCRIPTION |
|------------|-----------|---|
| 1 | 8268892 | Lever, Overflow Switch |
| 2 | 8531412 | Hose, Inlet |
| 3 | 8531325 | Water Inlet (Also Order Item 4) |
| 4 | 8531323 | Gasket |
| 5 | 8531327 | Nut, Inlet (Also Order Item 4) |
| 6 | 371505 | Clamp, Hose |
| 7 | 8563405 | Fill Valve Assembly |
| 8 | 304392 | Screw |
| 9 | 8268909 | Switch, Overflow Control |
| 10 | 8545946 | Standpipe, Overflow (Includes Item 11) |
| 11 | 8531743 | Gasket, Flat |
| 12 | 9741998 | Nut, Standpipe |
| 13 | W10077871 | Float & Retainer Assembly |
| 14 | 8269297 | Miscellaneous Parts Bag |
| 15 | 356138 | Clamp, Hose |
| 16 | 8531022 | Drain Loop with Check Valve |

FOR ORDERING INFORMATION REFER TO PARTS PRICE LIST

TUB AND FRAME PARTS

For Models: KUDS03FTBL1, KUDS03FTWH1, KUDS03FTBT1, KUDS03FTSS1
 (Black) (White) (Biscuit) (Stainless)



FOR ORDERING INFORMATION REFER TO PARTS PRICE LIST

TUB AND FRAME PARTS

For Models: KUDS03FTBL1, KUDS03FTWH1, KUDS03FTBT1, KUDS03FTSS1
 (Black) (White) (Biscuit) (Stainless)

| Illus. No. | Part No. | DESCRIPTION |
|------------|-----------|--------------------------------|
| 1 | W10053090 | Tub Assembly |
| 2 | 8574123 | Barrier, Moisture Undercounter |
| 3 | W10112096 | Door Seal |
| 4 | W10082838 | Plug Tub |
| 5 | 8572661 | Actuator Assembly |
| 6 | 8559844 | Motor, Wax |
| 7 | 8269110 | Seal, Cabinet |
| 8 | 8573061 | Strain Relief |
| 9 | 8270021 | Mount, Door Balance |
| 10 | 3367670 | Screw |
| 11 | 8269145 | Bracket, Undercounter |
| 12 | 3400074 | Screw |
| 13 | 3400924 | Retainer, Push-in |
| 14 | 3370389 | Screw |
| 15 | 8268977 | Wheel Leg |
| 16 | 8524584 | Leveler, Leg |
| 17 | 8524474 | Wheel, door Balance |
| 18 | 8270020 | Spring, Door Balance |
| 19 | 3400892 | Screw |
| 20 | 8268991 | Cover, Terminal Box |
| 21 | 8535568 | Link, Door Balance |
| 22 | 8268587 | Insulator, Sound |
| 23 | 304666 | Retainer, Push |
| 24 | 8573239 | Shield, Sound Tub |
| 25 | 9742648 | Bracket, Thermostat |
| 26 | 661566 | Thermostat |
| 27 | W10077370 | Strike, Latch |
| 28 | 3378128 | Washer, Pronged Cup |
| 29 | 3400014 | Screw |

FOR ORDERING INFORMATION REFER TO PARTS PRICE LIST

PUMP AND MOTOR PARTS

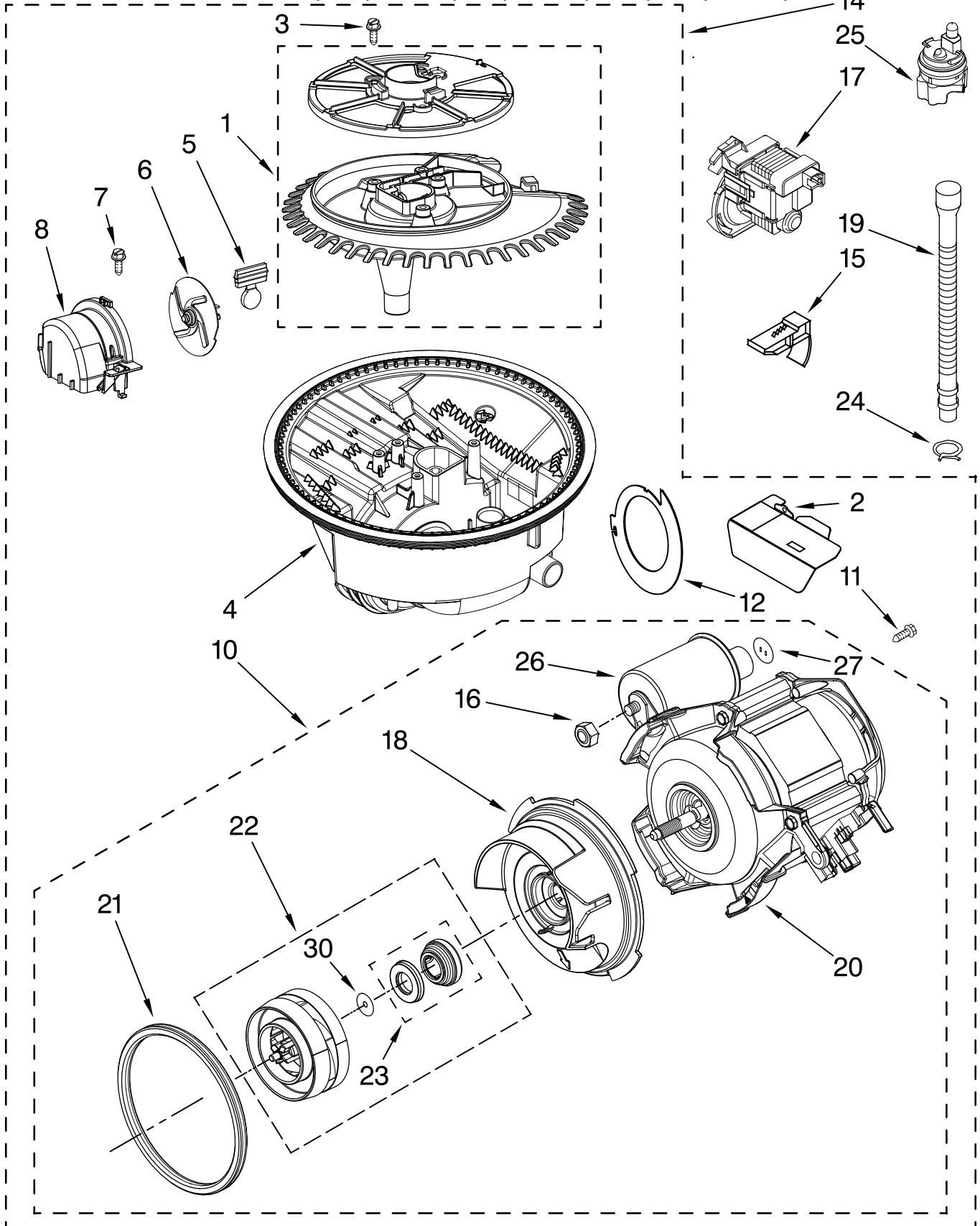
For Models: KUDS03FTBL1, KUDS03FTWH1, KUDS03FTBT1, KUDS03FTSS1

(Black)

(White)

(Biscuit)

(Stainless)



FOR ORDERING INFORMATION REFER TO PARTS PRICE LIST

PUMP AND MOTOR PARTS

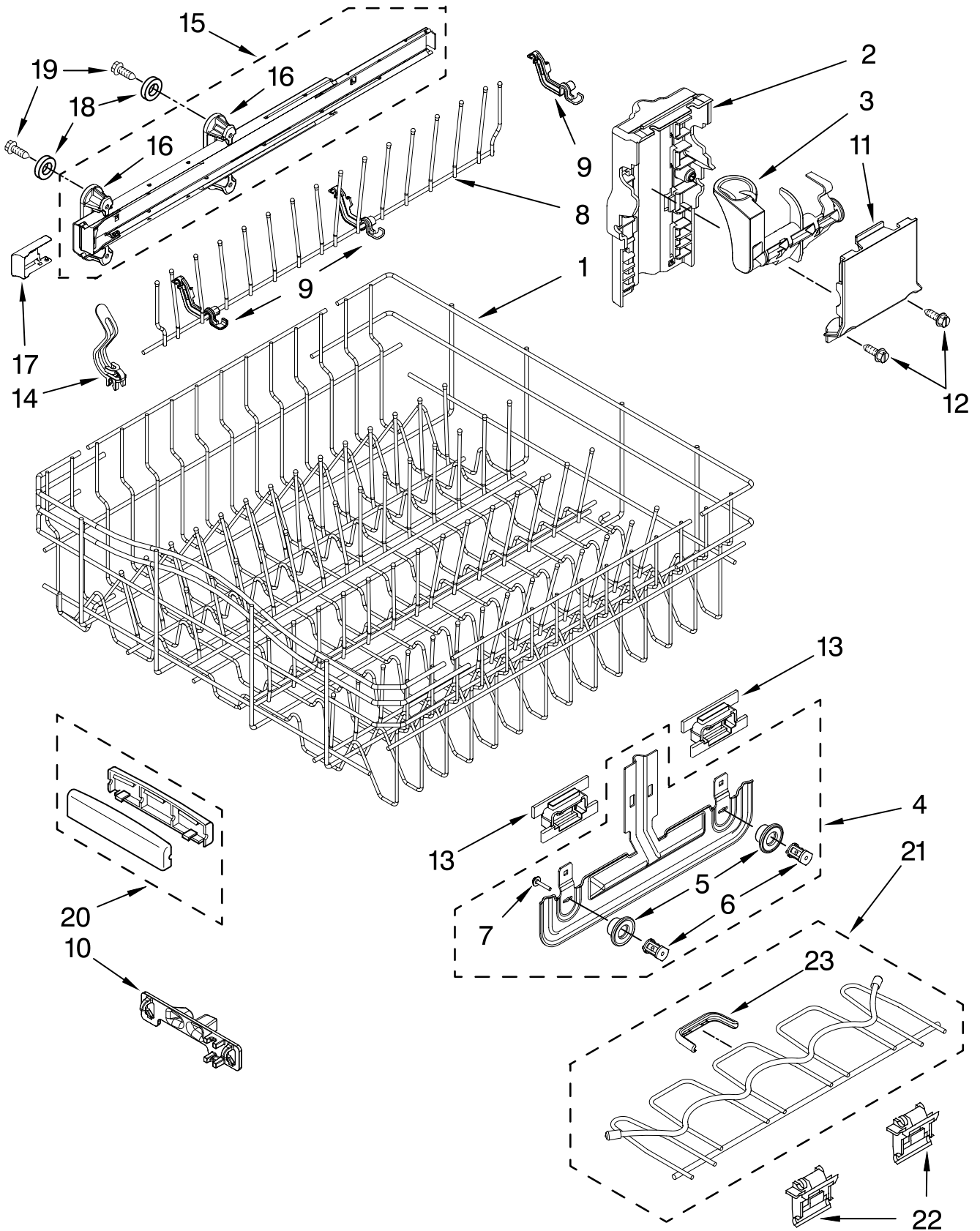
For Models: KUDS03FTBL1, KUDS03FTWH1, KUDS03FTBT1, KUDS03FTSS1
 (Black) (White) (Biscuit) (Stainless)

| Illus. No. | Part No. | DESCRIPTION |
|---------------|-------------|---|
| 1 | 8534952 | Accumulator Assy |
| 2 | 8283527 | Shield, Motor |
| 3 | 3400069 | Screw |
| 4 | 8572618 | Sump With Seal |
| 5 | 8268375 | Check Valve, Sump |
| 6 | W10083957 | Chopper Assembly |
| 7 | 9741232 | Screw |
| 8 | 8531857 | Protector, Inlet |
| 10 | 8535760 | Motor Assembly |
| 11 | 3400217 | Screw |
| 12 | 8268391 | Screen, Separation |
| 14 | W10084107 | Sump & Motor Assembly (Includes Item 15) |
| 15 | 8269524 | Tab, Sump |
| 16 | 8533949 | Nut |
| 17 | 661662 | Pump, Drain |
| 18 | 8531019 | Volute, Back (Also Order Items 23 & 30) |
| 19 | 8269144 | Hose, Drain |
| 20 | 8535759 | Motor |
| 21 | 8268397 | Seal, Volute |
| 22 | 8531017 | Impeller Kit |
| 23 | 8268403 | Face Seal Assembly (Also Order Item 30) |
| 24 | 356138 | Clamp, Hose |
| 25 | W10082647 | Optical Water Indicator |
| 26 | 8535474 | Capacitor |
| 27 | 8534946 | Shield, Capacitor |
| 30 | 8531018 | Washer |

FOR ORDERING INFORMATION REFER TO PARTS PRICE LIST

UPPER RACK AND TRACK PARTS

For Models: KUDS03FTBL1, KUDS03FTWH1, KUDS03FTBT1, KUDS03FTSS1
(Black) (White) (Biscuit) (Stainless)



FOR ORDERING INFORMATION REFER TO PARTS PRICE LIST

UPPER RACK AND TRACK PARTS

For Models: KUDS03FTBL1, KUDS03FTWH1, KUDS03FTBT1, KUDS03FTSS1
 (Black) (White) (Biscuit) (Stainless)

| Illus. No. | Part No. | DESCRIPTION |
|---------------|-------------|---|
| 1 | 8539235 | Dishrack, Upper |
| 2 | W10082839 | Housing, Adjuster |
| 3 | | Actuator, Adjuster |
| | W10077838 | Right Hand |
| | W10077839 | Left Hand |
| 4 | 8268653 | Adjuster Assembly |
| 5 | 8270138 | Wheel |
| 6 | 8268703 | Axel, Adjuster |
| 7 | 8281156 | Screw |
| 8 | 9744566 | Tine Row |
| 9 | W10082853 | Clip, Pivot |
| 10 | 8539102 | Positioner, Dual |
| 11 | W10082840 | Cover, Adjuster |
| 12 | 9741232 | Retainer |
| 13 | W10082834 | Positioner, Arm |
| 14 | W10077844 | Clip, No-Flip |
| 15 | | Track, Assembly |
| | W10078218 | Right Hand |
| | W10078217 | Left Hand (Also Order Item 18) |
| 16 | W10077876 | Mount, Track (Also Order Item 18) |
| 17 | | Stop, Track |
| | 8573954 | Right |
| | 8573953 | Left |
| 18 | 9743002 | Gasket, Bracket Mounting |
| 19 | 3400072 | Screw |
| 20 | 8539110 | Handle, Dishrack |
| 21 | W10077957 | Cupshelf |
| 22 | 8562026 | Clip, Cupshelf |
| 23 | W10077843 | Indicator, Cupshelf |

UPPER WASH AND RINSE PARTS

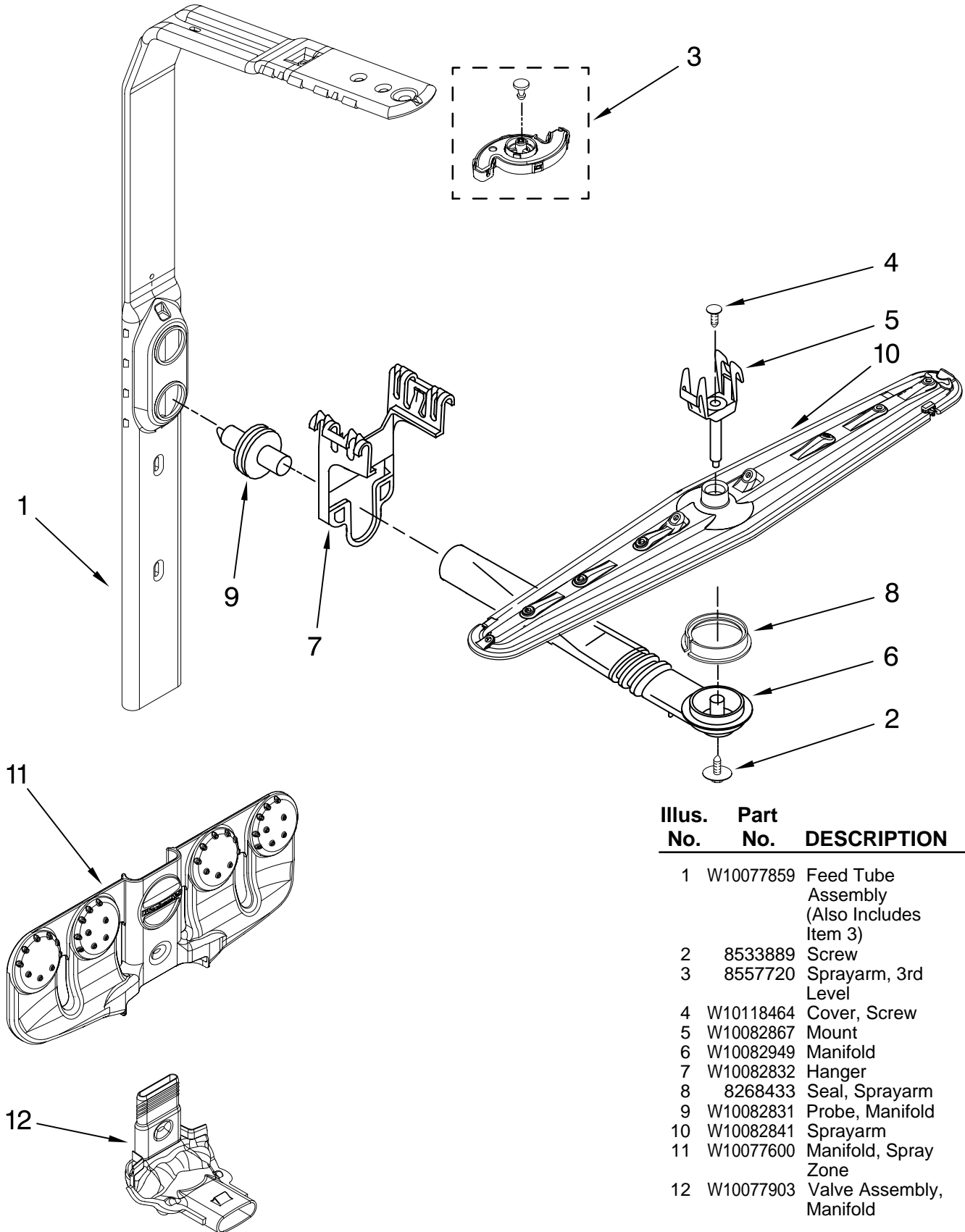
For Models: KUDS03FTBL1, KUDS03FTWH1, KUDS03FTBT1, KUDS03FTSS1

(Black)

(White)

(Biscuit)

(Stainless)



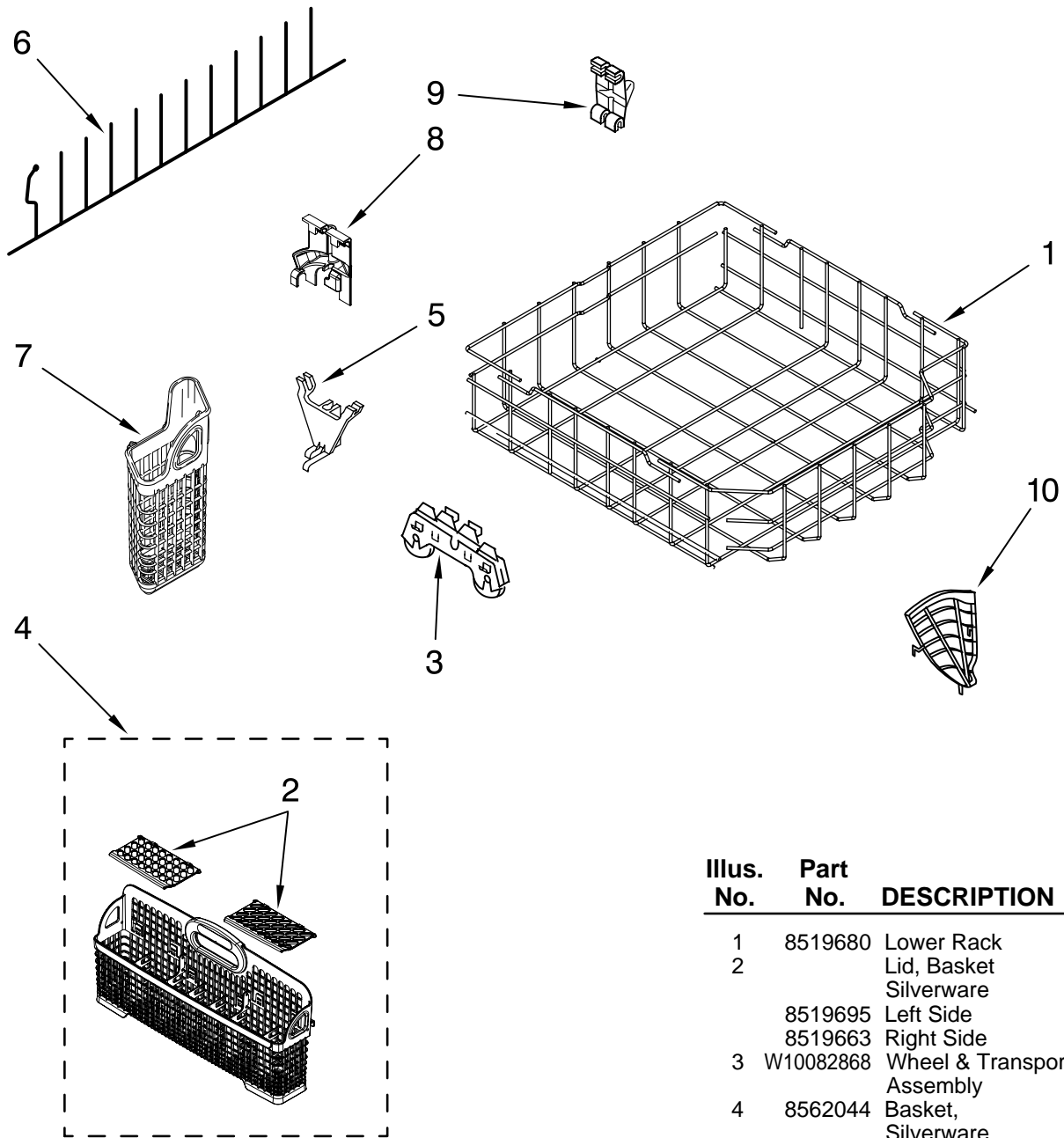
| Illus. No. | Part No. | DESCRIPTION |
|------------|----------|-------------|
|------------|----------|-------------|

| | | |
|----|-----------|--|
| 1 | W10077859 | Feed Tube Assembly (Also Includes Item 3) |
| 2 | 8533889 | Screw |
| 3 | 8557720 | Sprayarm, 3rd Level |
| 4 | W10118464 | Cover, Screw |
| 5 | W10082867 | Mount |
| 6 | W10082949 | Manifold |
| 7 | W10082832 | Hanger |
| 8 | 8268433 | Seal, Sprayarm |
| 9 | W10082831 | Probe, Manifold |
| 10 | W10082841 | Sprayarm |
| 11 | W10077600 | Manifold, Spray Zone |
| 12 | W10077903 | Valve Assembly, Manifold |

FOR ORDERING INFORMATION REFER TO PARTS PRICE LIST

LOWER RACK PARTS

For Models: KUDS03FTBL1, KUDS03FTWH1, KUDS03FTBT1, KUDS03FTSS1
 (Black) (White) (Biscuit) (Stainless)



| Illus. No. | Part No. | DESCRIPTION |
|------------|-----------|----------------------------|
| 1 | 8519680 | Lower Rack |
| 2 | | Lid, Basket |
| | 8519695 | Left Side |
| | 8519663 | Right Side |
| 3 | W10082868 | Wheel & Transport Assembly |
| 4 | 8562044 | Basket, Silverware |
| 5 | W10078227 | Pivot, Tine Row |
| 6 | 8519682 | Tine, Row |
| 7 | 8519702 | Basket, Utensil |
| 8 | W10078215 | Retainer, Tine Row (Combo) |
| 9 | 8531314 | Retainer, Tine Row |
| 10 | 8562069 | Holder, Knife |

FOR ORDERING INFORMATION REFER TO PARTS PRICE LIST

OPTIONAL PARTS (NOT INCLUDED)

For Models: KUDS03FTBL1, KUDS03FTWH1, KUDS03FTBT1, KUDS03FTSS1
 (Black) (White) (Biscuit) (Stainless)

| Illus. Part No. No. DESCRIPTION | Illus. Part No. No. DESCRIPTION | Illus. Part No. No. DESCRIPTION |
|---|---|--|
| <u>ACCESSORIES</u> | | |
| Side Panel Kits 8171656 White 8171657 Black 8171658 Biscuit 8171659 Stainless Steel | <u>PAINT, TOUCH-UP (1/2oz.)</u> 72017 White 72032 Black 4392899 Biscuit 4396603 Meteorite | <u>POWER CORD KIT</u> 4317824 Power Cord Kit (Includes Power Cord & Misc. Hardware) |
| Custom Panel & Trim Kit 8212489 Black | <u>PAINT, PRESSURIZED SPRAY (12 oz.)</u> 350930 White 285006 Superior Black 4392901 Biscuit | <u>ANTI-TIP KIT</u> 8171477 Floor Mount Kit |
| Towel Bar Handle Kit 8573938 Stainless Steel | <u>PAINT, BULK (1 qt.)</u> 799344 White (Uncut) 4392900 Biscuit | <u>DISHRACK REPAIR</u> 4396838 White 4396840 Grey 4396854 Silver Atlantis |
| Drain Hose 3385556 12 Ft. | | |
| Vinyl Touch-Up (4oz.) 676453 White 676455 Grey 4396853 Silver Atlantis | | |
| Moisture Barrier Kit 4396277 Kit | | |

FOR ORDERING INFORMATION REFER TO PARTS PRICE LIST