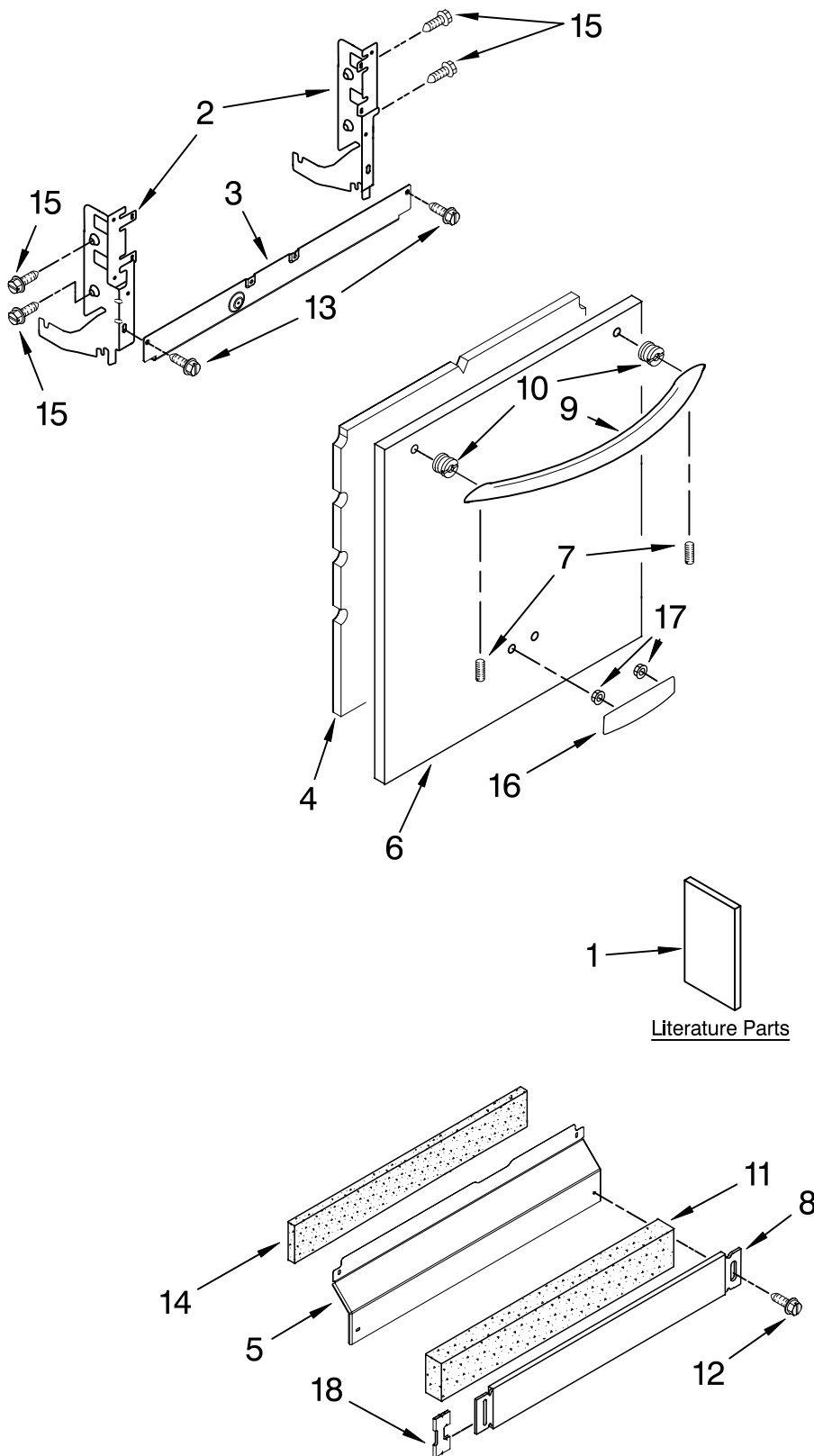


KitchenAid® DOOR AND PANEL PARTS

For Models: KUDS03FTBLO, KUDS03FTWH0, KUDS03FTBT0, KUDS03FTSS0
 (Black) (White) (Biscuit) (Stainless)

UNDERCOUNTER
 DISHWASHER

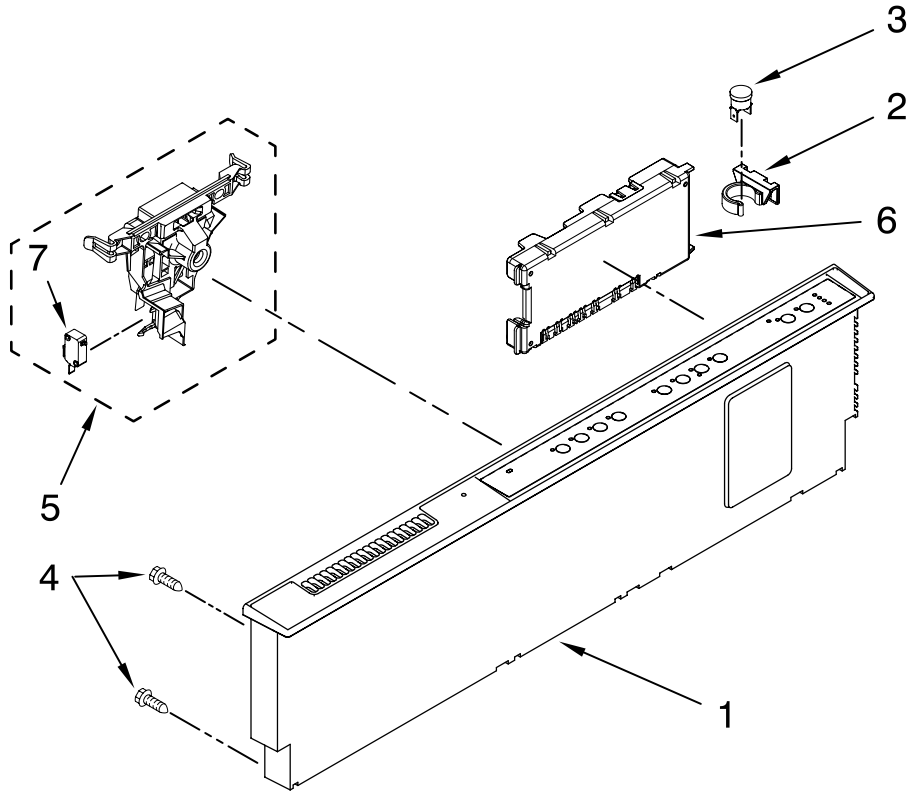


Illus. No.	Part No.	DESCRIPTION
1		Literature Parts
	W10078153	Instructions, Installation
	W10111124	Energy Guide
	8574093	Guide, Use & Care
	W10077823	Guide, Consumer Reference
	W10082651	Tech Sheet
2		Arm, Hinge
	8534854	Left
	8534853	Right
3	8564886	Stiffener, Door
4	8542577	Insulation, Door
5		Access Panel (Includes Item 14)
	8558260	Black
	8558261	White
	8558262	Biscuit
6		Panel, Full Front (Includes Items 4, 10, 16 & 17)
	W10078007	Black
	W10078008	White
	W10078009	Biscuit
	W10078010	Stainless
7	8534008	Screw
8		Toe Panel (Includes Items 11 & 18)
	8558252	Black
	8558253	White
	8558254	Biscuit
9		Handle Assy
	W10083936	Black
	W10083937	White
	W10083938	Biscuit
	W10083935	Stainless
10	8564951	Stud, Mounting
11	W10073550	Insulation, Toe Panel
12		Screw
	302868	Black
	3400836	White
	3400865	Biscuit
13	304392	Screw
14	W10073540	Insulation, Access Panel
15	3400071	Screw
16		Nameplate
	W10021860	Black
	W10021870	White
	W10021880	Biscuit
	W10021850	Stainless
17	2004333	Nut
18	8269016	Clip, Grounding

FOR ORDERING INFORMATION REFER TO PARTS PRICE LIST

CONTROL PANEL PARTS

For Models: KUDS03FTBL0, KUDS03FTWH0, KUDS03FTBT0, KUDS03FTSS0
 (Black) (White) (Biscuit) (Stainless)

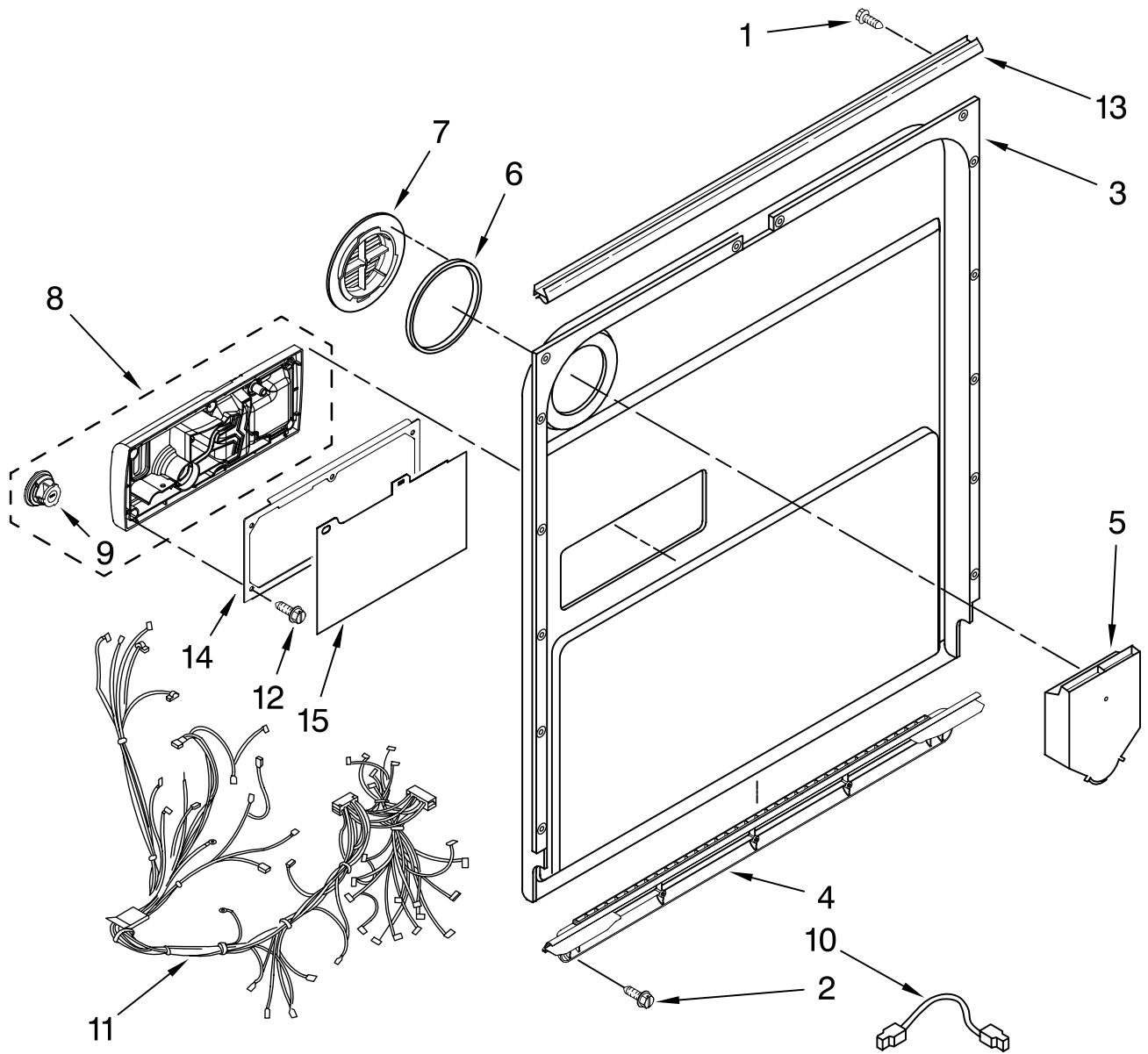


Illus. No.	Part No.	DESCRIPTION
1		Console Assembly (Includes Insert)
	W10078057	Black
	W10078058	White
	W10078059	Biscuit
	W10084132	Stainless
2	8546546	Clip, BI-Metal
3	661663	Bi-Metal
4	3369051	Screw (6)
5	W10077360	Latch Assembly
6	8575276	Control, Electronic
7	W10134019	Switch, Door

FOR ORDERING INFORMATION REFER TO PARTS PRICE LIST

DOOR AND LATCH PARTS

For Models: KUDS03FTBL0, KUDS03FTWH0, KUDS03FTBT0, KUDS03FTSS0
 (Black) (White) (Biscuit) (Stainless)



Illus. No.	Part No.	DESCRIPTION
1	3369051	Screw, Door
2	8281217	Screw
3	8530900	Inner Door Mastic Assembly (Also Order Item 6)
4	W10077883	Inlet, Air
5	8572611	Vent Assembly (Also Order Item 6)

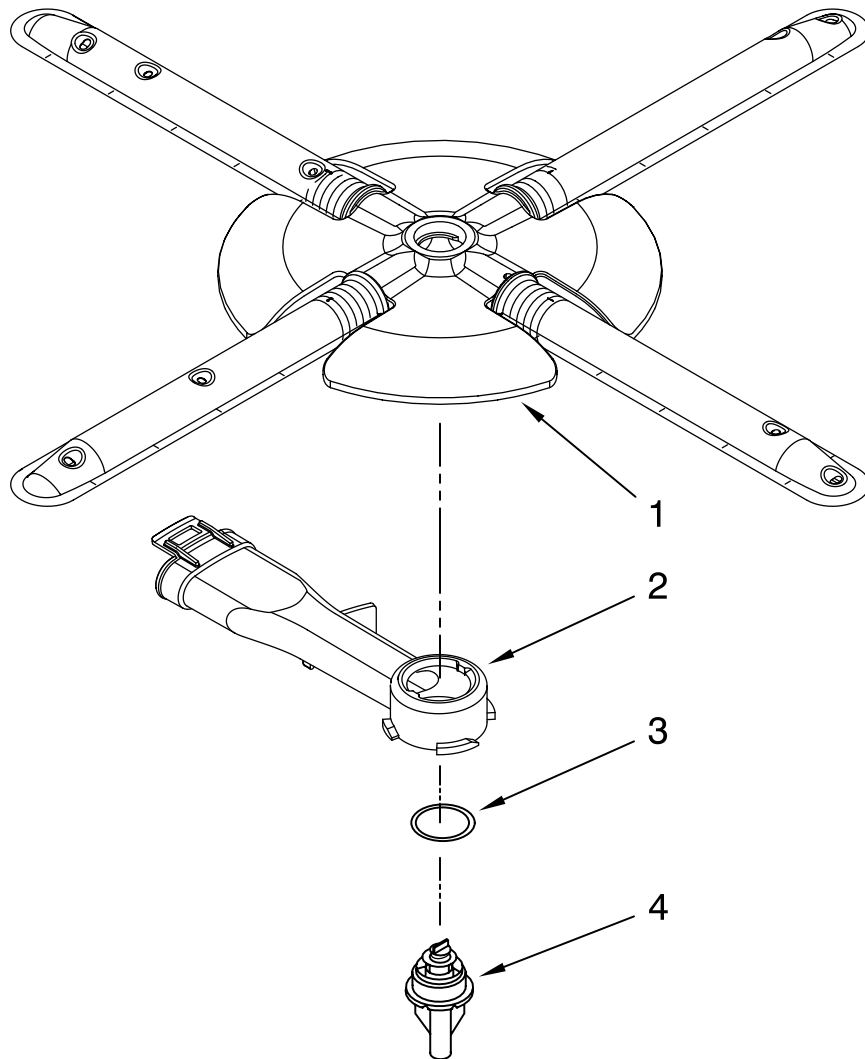
Illus. No.	Part No.	DESCRIPTION
6	8269259	Gasket, Vent
7	W10077877	Deflector, Vent (Also Order Item 6)
8	W10077882	Dispenser, Assembly
9	W10077881	Knob, Rinse Aid
10	8545608	Harness, Vent Motor

Illus. No.	Part No.	DESCRIPTION
11	W10078202	Wiring Harness
12	8281154	Screw (6)
13	8535660	Seal, Console/door
14	8535637	Bracket, Dispenser
15	8531865	Shield, Dispenser

FOR ORDERING INFORMATION REFER TO PARTS PRICE LIST

LOWER WASHARM AND STRAINER PARTS

For Models: KUDS03FTBL0, KUDS03FTWH0, KUDS03FTBT0, KUDS03FTSS0
(Black) (White) (Biscuit) (Stainless)

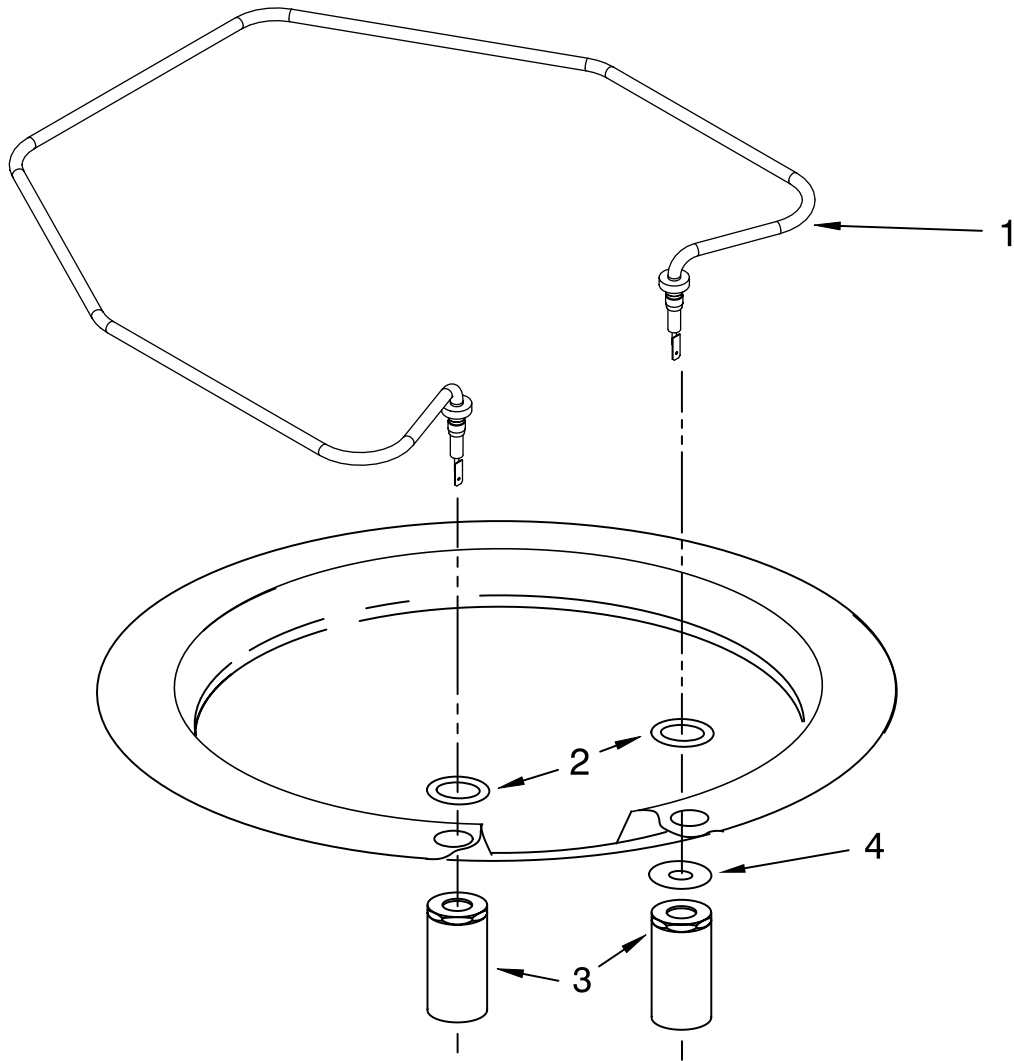


Illus. No.	Part No.	DESCRIPTION
1	W10077965	Wash Arm Assembly
2	W10077899	Cap, Internal Rear Feed (Also Order Item 3)
3	8268340	Seal, Sprayarm
4	W10077898	Hub, Lower Sprayarm (Also Order Item 3)

FOR ORDERING INFORMATION REFER TO PARTS PRICE LIST

HEATER PARTS

For Models: KUDS03FTBL0, KUDS03FTWH0, KUDS03FTBT0, KUDS03FTSS0
 (Black) (White) (Biscuit) (Stainless)



Illus. No.	Part No.	DESCRIPTION
1	8537057	Heater Element Assembly (Also Includes Item 2)
2	717273	Washer, Heater Element
3	8268548	Nut, Heater Element
4	3400931	Retainer, Spring Grip

NOTE: If heater element is removed, it must be replaced.

FOR ORDERING INFORMATION REFER TO PARTS PRICE LIST

FILL, DRAIN, AND OVERFILL PARTS

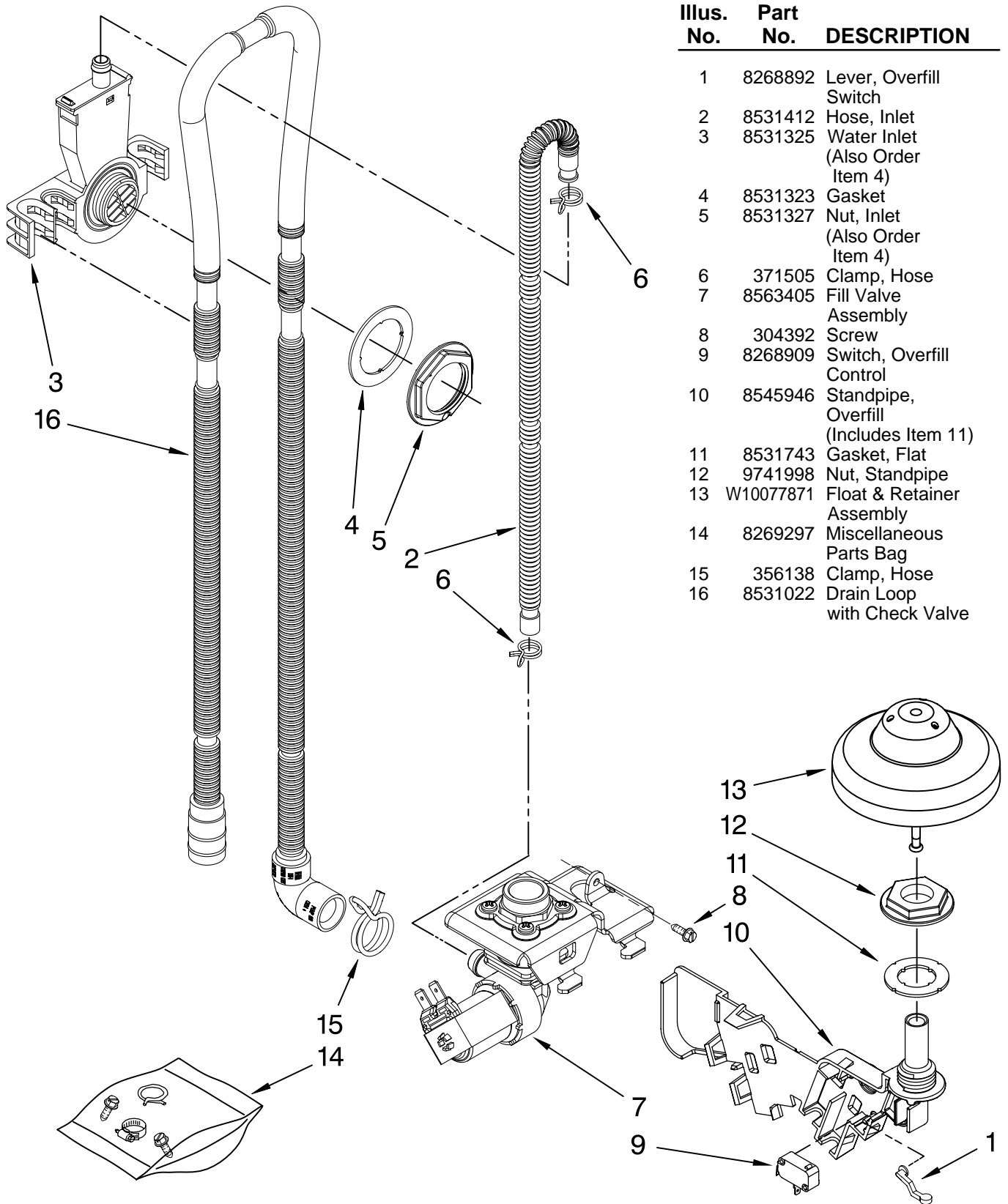
For Models: KUDS03FTBL0, KUDS03FTWH0, KUDS03FTBT0, KUDS03FTSS0

(Black)

(White)

(Biscuit)

(Stainless)

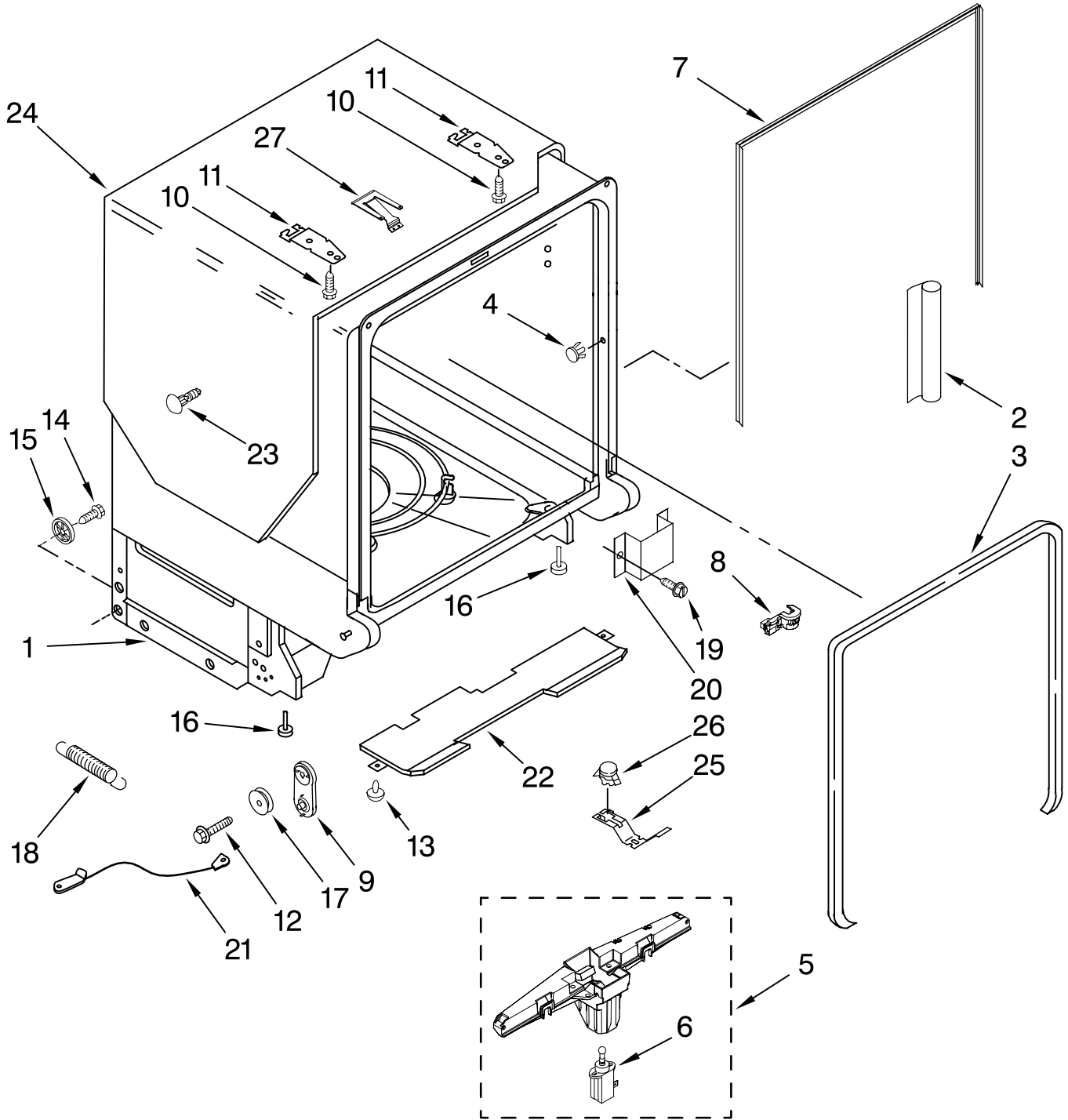


Illus. No.	Part No.	DESCRIPTION
1	8268892	Lever, Overflow Switch
2	8531412	Hose, Inlet
3	8531325	Water Inlet (Also Order Item 4)
4	8531323	Gasket
5	8531327	Nut, Inlet (Also Order Item 4)
6	371505	Clamp, Hose
7	8563405	Fill Valve Assembly
8	304392	Screw
9	8268909	Switch, Overflow Control
10	8545946	Standpipe, Overflow (Includes Item 11)
11	8531743	Gasket, Flat
12	9741998	Nut, Standpipe
13	W10077871	Float & Retainer Assembly
14	8269297	Miscellaneous Parts Bag
15	356138	Clamp, Hose
16	8531022	Drain Loop with Check Valve

FOR ORDERING INFORMATION REFER TO PARTS PRICE LIST

TUB AND FRAME PARTS

For Models: KUDS03FTBL0, KUDS03FTWH0, KUDS03FTBT0, KUDS03FTSS0
(Black) (White) (Biscuit) (Stainless)



FOR ORDERING INFORMATION REFER TO PARTS PRICE LIST

TUB AND FRAME PARTS

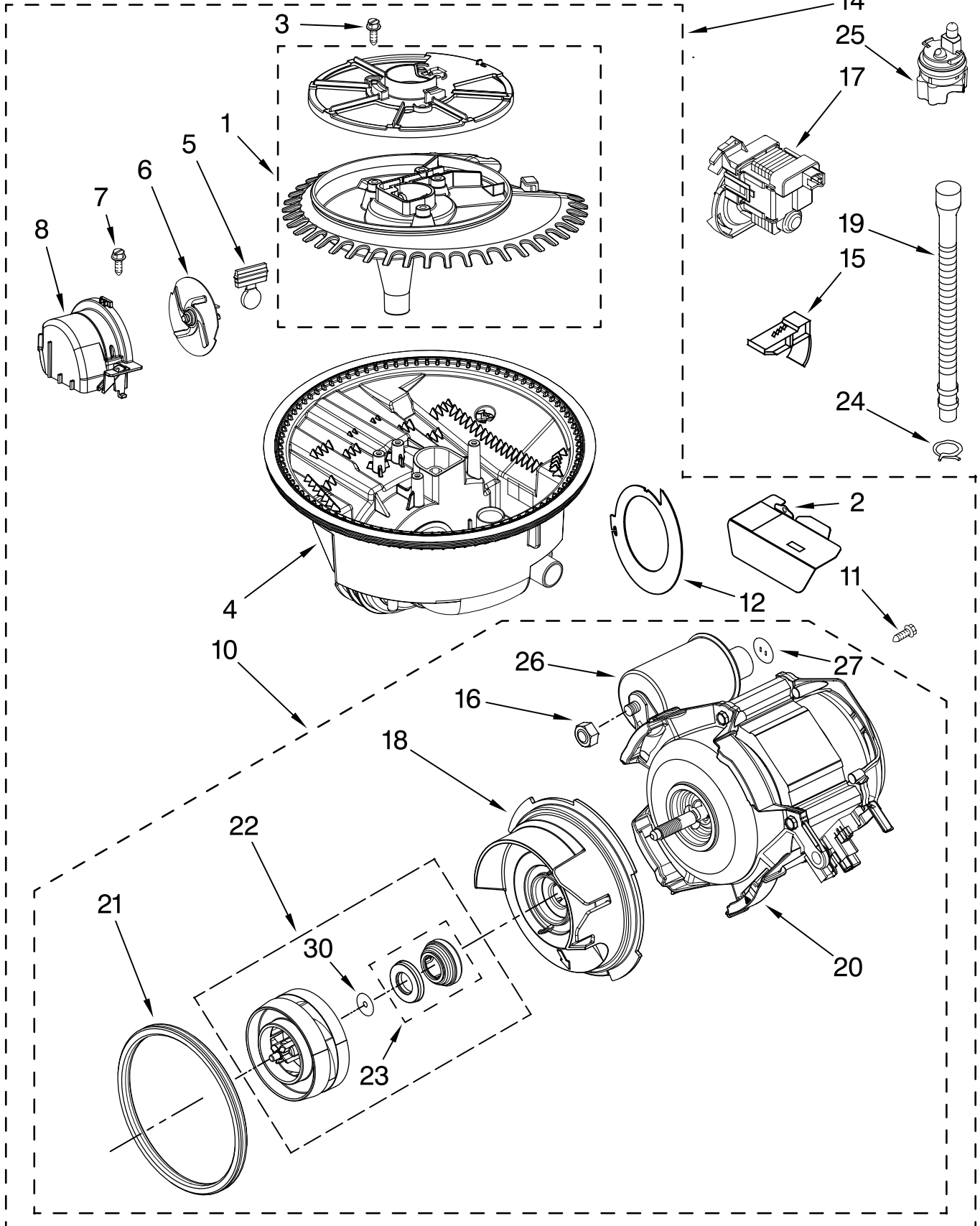
For Models: KUDS03FTBL0, KUDS03FTWH0, KUDS03FTBT0, KUDS03FTSS0
 (Black) (White) (Biscuit) (Stainless)

Illus. No.	Part No.	DESCRIPTION
1	W10053090	Tub Assembly
2	8574123	Barrier, Moisture Undercounter
3	W10112096	Door Seal
4	8270119	Plug Tub (2)
5	8572661	Actuator Assembly
6	8559844	Motor, Wax
7	8269110	Seal, Cabinet
8	8573061	Strain Relief
9	8270021	Mount, Door Balance
10	3367670	Screw
11	8269145	Bracket, Undercounter
12	3400074	Screw (2)
13	3400924	Retainer, Push-in
14	3370389	Screw (2)
15	8268977	Wheel Leg
16	8524584	Leveler, Leg
17	8524474	Wheel, door Balance
18	8270020	Spring, Door Balance
19	3400892	Screw
20	8268991	Cover, Terminal Box
21	8535568	Link, Door Balance
22	8268587	Insulator, Sound
23	304666	Retainer, Push (2)
24	8573239	Shield, Sound Tub
25	9742648	Bracket, Thermostat
26	661566	Thermostat
27	W10077370	Strike, Latch

FOR ORDERING INFORMATION REFER TO PARTS PRICE LIST

PUMP AND MOTOR PARTS

For Models: KUDS03FTBL0, KUDS03FTWH0, KUDS03FTBT0, KUDS03FTSS0
(Black) (White) (Biscuit) (Stainless)



FOR ORDERING INFORMATION REFER TO PARTS PRICE LIST

PUMP AND MOTOR PARTS

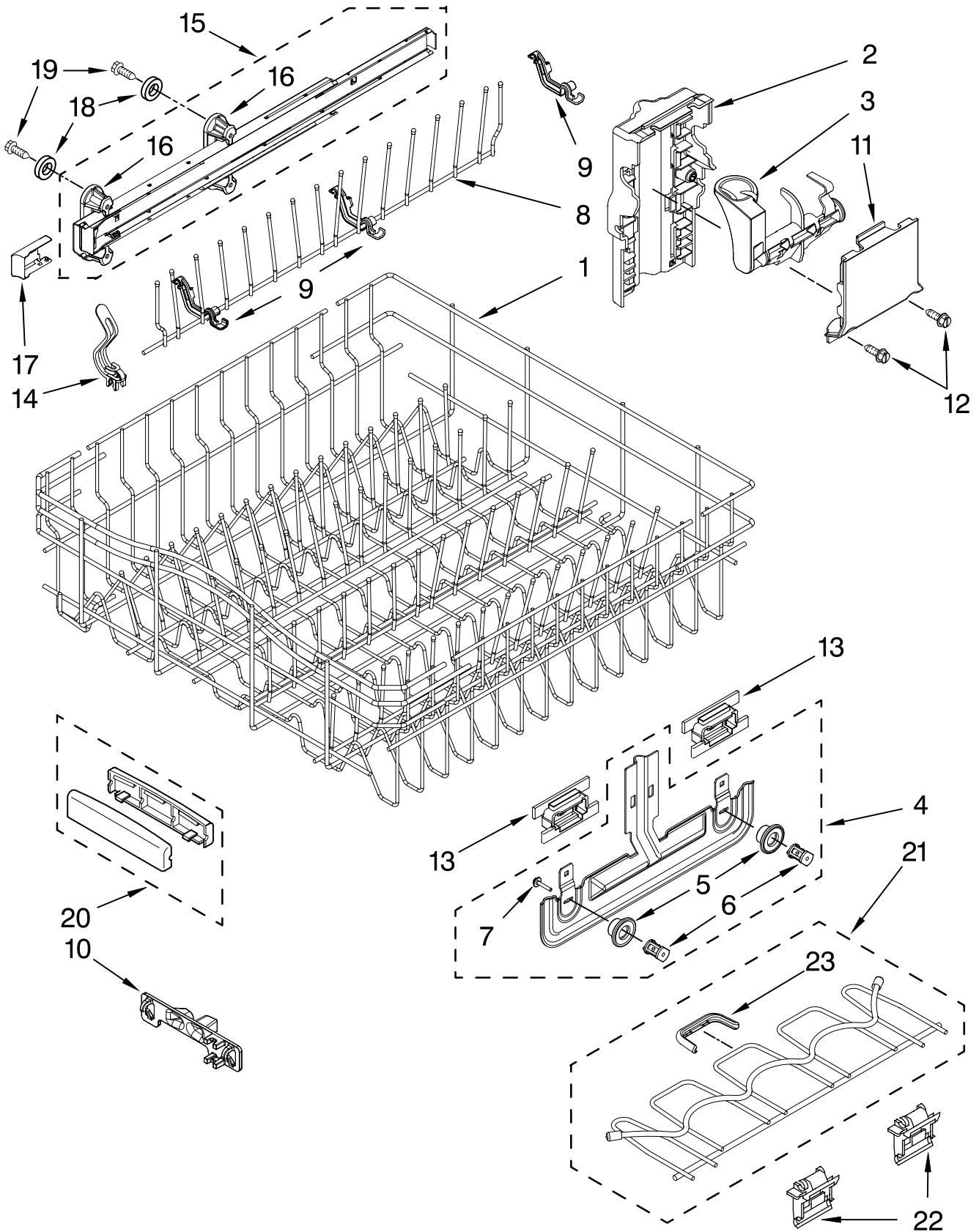
For Models: KUDS03FTBL0, KUDS03FTWH0, KUDS03FTBT0, KUDS03FTSS0
 (Black) (White) (Biscuit) (Stainless)

Illus. No.	Part No.	DESCRIPTION
1	8534952	Accumulator Assy
2	8283527	Shield, Motor
3	3400069	Screw
4	8572618	Sump With Seal
5	8268375	Check Valve, Sump
6	W10083957	Chopper Assembly
7	9741232	Screw
8	8531857	Protector, Inlet
10	8535760	Motor Assembly
11	3400217	Screw
12	8268391	Screen, Separation
14	W10084107	Sump & Motor Assembly (Includes Item 15)
15	8269524	Tab, Sump
16	8533949	Nut
17	661662	Pump, Drain
18	8531019	Volute, Back (Also Order Items 23 & 30)
19	8269144	Hose, Drain
20	8535759	Motor
21	8268397	Seal, Volute
22	8531017	Impeller Kit
23	8268403	Face Seal Assembly (Also Order Item 30)
24	356138	Clamp, Hose
25	W10082647	Optical Water Indicator
26	8535474	Capacitor
27	8534946	Shield, Capacitor
30	8531018	Washer

FOR ORDERING INFORMATION REFER TO PARTS PRICE LIST

UPPER RACK AND TRACK PARTS

For Models: KUDS03FTBL0, KUDS03FTWH0, KUDS03FTBT0, KUDS03FTSS0
(Black) (White) (Biscuit) (Stainless)



FOR ORDERING INFORMATION REFER TO PARTS PRICE LIST

UPPER RACK AND TRACK PARTS

For Models: KUDS03FTBL0, KUDS03FTWH0, KUDS03FTBT0, KUDS03FTSS0
 (Black) (White) (Biscuit) (Stainless)

Illus. No.	Part No.	DESCRIPTION
1	8539235	Dishrack, Upper
2	8531344	Housing, Adjuster
3		Actuator, Adjuster
	W10077838	Right Hand
	W10077839	Left Hand
4	8268653	Adjuster Assembly
5	8270138	Wheel
6	8268703	Axel, Adjuster
7	8281156	Screw
8	9744566	Tine Row
9	8539190	Clip, Pivot
10	8539102	Positioner, Dual
11	8531346	Cover, Adjuster
12	9741232	Retainer
13	8268738	Positioner, Arm
14	W10077844	Clip, No-Flip
15		Track, Assembly
	W10078218	Right Hand
	W10078217	Left Hand (Also Order Item 18)
16	W10077876	Mount, Track (Also Order Item 18)
17		Stop, Track
	8573954	Right
	8573953	Left
18	9743002	Gasket, Bracket Mounting
19	3400072	Screw (8)
20	8539110	Handle, Dishrack
21	W10077957	Cupshelf
22	8562026	Clip, Cupshelf
23	W10077843	Indicator, Cupshelf

FOR ORDERING INFORMATION REFER TO PARTS PRICE LIST

UPPER WASH AND RINSE PARTS

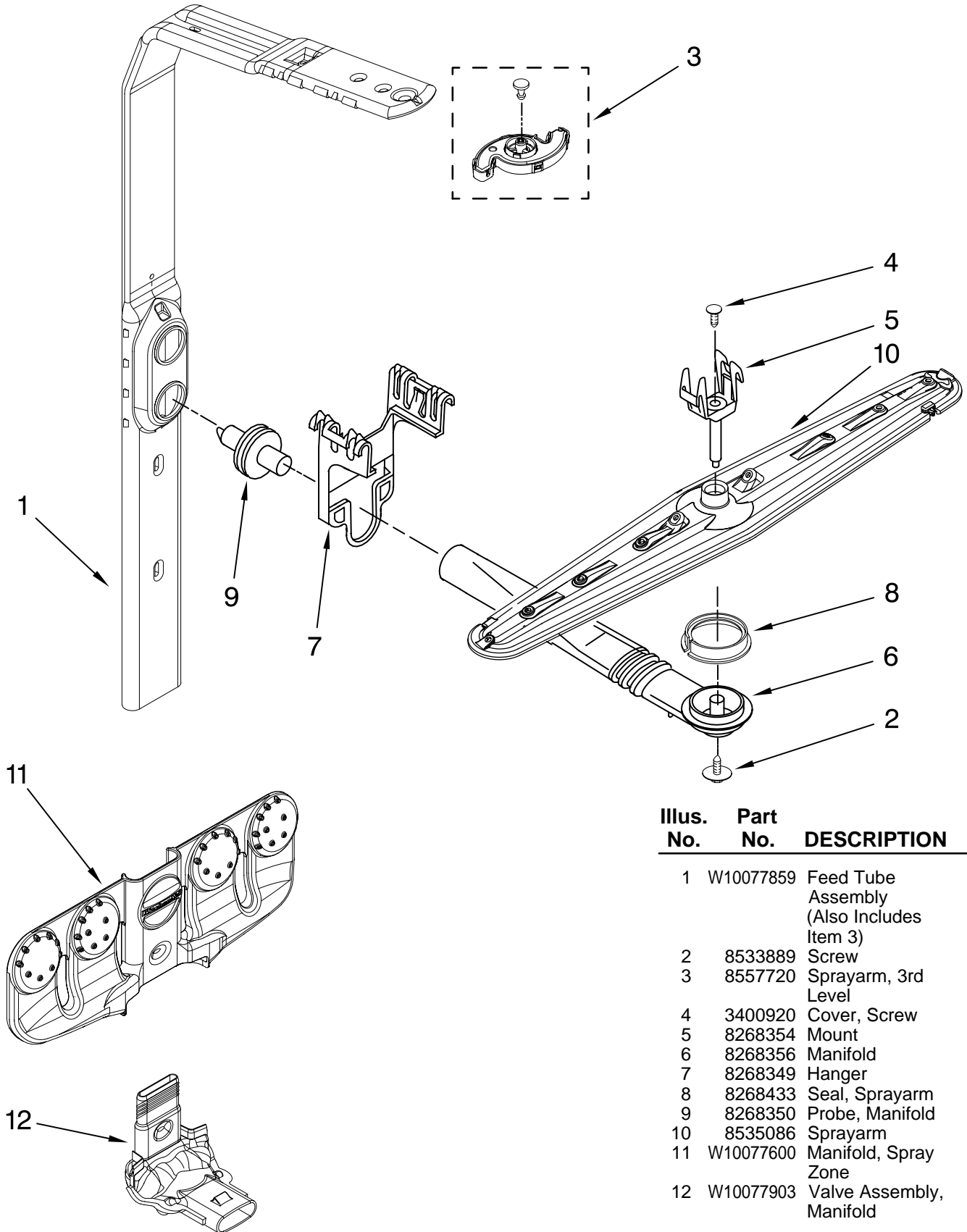
For Models: KUDS03FTBL0, KUDS03FTWH0, KUDS03FTBT0, KUDS03FTSS0

(Black)

(White)

(Biscuit)

(Stainless)



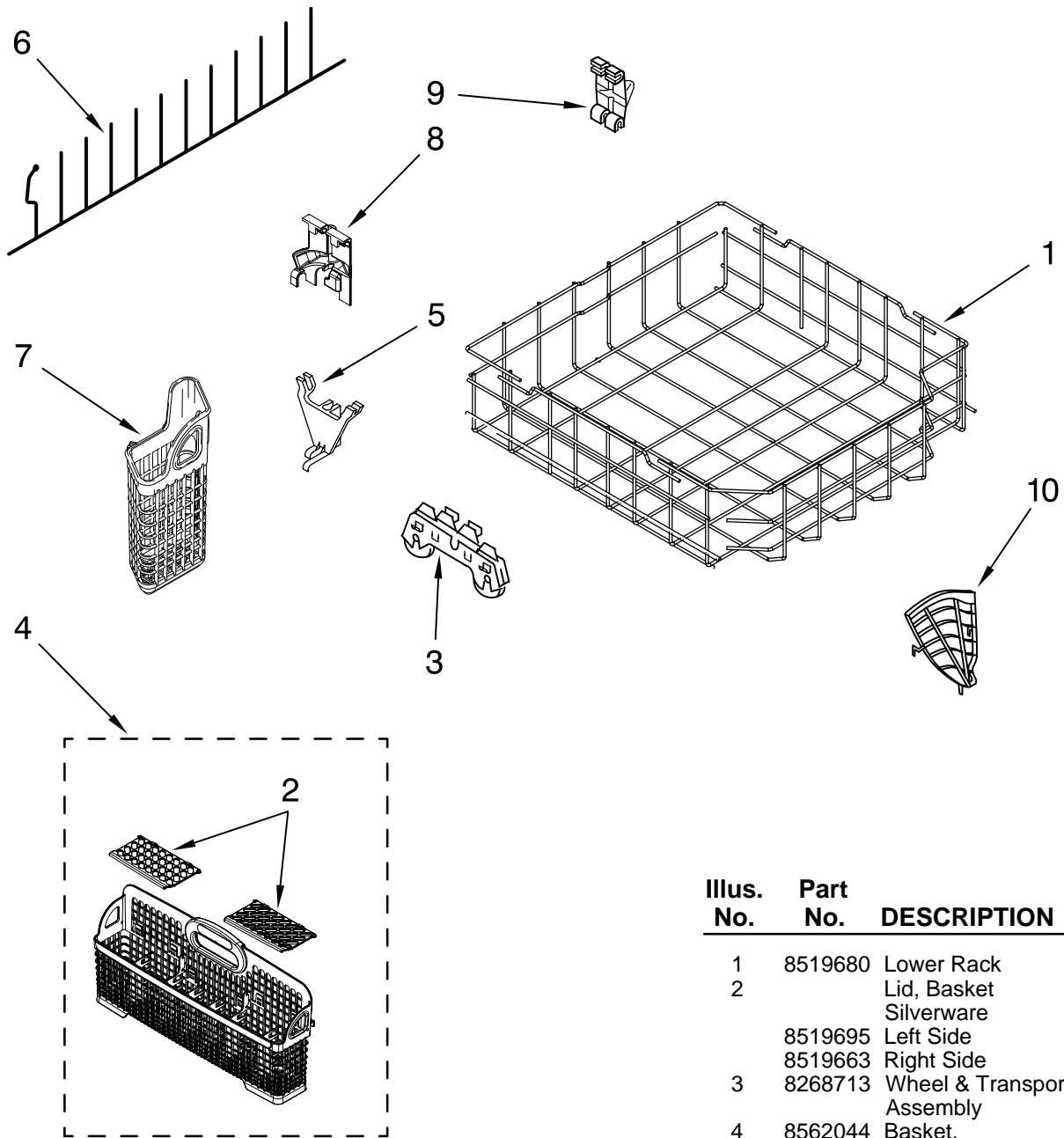
Illus. No.	Part No.	DESCRIPTION
------------	----------	-------------

1	W10077859	Feed Tube Assembly (Also Includes Item 3)
2	8533889	Screw
3	8557720	Sprayarm, 3rd Level
4	3400920	Cover, Screw
5	8268354	Mount
6	8268356	Manifold
7	8268349	Hanger
8	8268433	Seal, Sprayarm
9	8268350	Probe, Manifold
10	8535086	Sprayarm
11	W10077600	Manifold, Spray Zone
12	W10077903	Valve Assembly, Manifold

FOR ORDERING INFORMATION REFER TO PARTS PRICE LIST

LOWER RACK PARTS

For Models: KUDS03FTBL0, KUDS03FTWH0, KUDS03FTBT0, KUDS03FTSS0
 (Black) (White) (Biscuit) (Stainless)



Illus. No.	Part No.	DESCRIPTION
1	8519680	Lower Rack
2		Lid, Basket Silverware
	8519695	Left Side
	8519663	Right Side
3	8268713	Wheel & Transport Assembly
4	8562044	Basket, Silverware
5	8268744	Pivot, Tine Row
6	8519682	Tine, Row
7	8519702	Basket, Utensil
8	W10107150	Retainer, Tine Row (Combo)
9	8268745	Retainer, Tine Row
10	8562069	Holder, Knife

FOR ORDERING INFORMATION REFER TO PARTS PRICE LIST

OPTIONAL PARTS (NOT INCLUDED)

For Models: KUDS03FTBL0, KUDS03FTWH0, KUDS03FTBT0, KUDS03FTSS0

(Black) (White) (Biscuit) (Stainless)

Illus. No.	Part No.	DESCRIPTION	Illus. No.	Part No.	DESCRIPTION	Illus. No.	Part No.	DESCRIPTION
<u>ACCESSORIES</u>			<u>PAINT, TOUCH-UP (1/2oz.)</u>			<u>POWER CORD KIT</u>		
	8171656	Side Panel Kits White		72017	White		4317824	Power Cord Kit (Includes Power Cord & Misc. Hardware)
	8171657	Black		72032	Black			
	8171658	Biscuit		4392899	Biscuit			
	8171659	Stainless Steel		4396603	Meteorite			
		Custom Panel & Trim Kit	<u>PAINT, PRESSURIZED SPRAY (12 oz.)</u>			<u>ANTI-TIP KIT</u>		
	8212489	Black		350930	White		8171477	Floor Mount Kit
		Towel Bar Handle Kit		285006	Superior Black	<u>DISHRACK REPAIR</u>		
	8573938	Stainless Steel		4392901	Biscuit		4396838	White
		Drain Hose	<u>PAINT, BULK (1 qt.)</u>				4396840	Grey
	3385556	12 Ft.		799344	White (Uncut)		4396854	Silver Atlantis
		Vinyl Touch-Up (4oz.)		4392900	Biscuit			
	676453	White						
	676455	Grey						
	4396853	Silver Atlantis						
		Moisture Barrier Kit						
	4396277	Kit						

FOR ORDERING INFORMATION REFER TO PARTS PRICE LIST