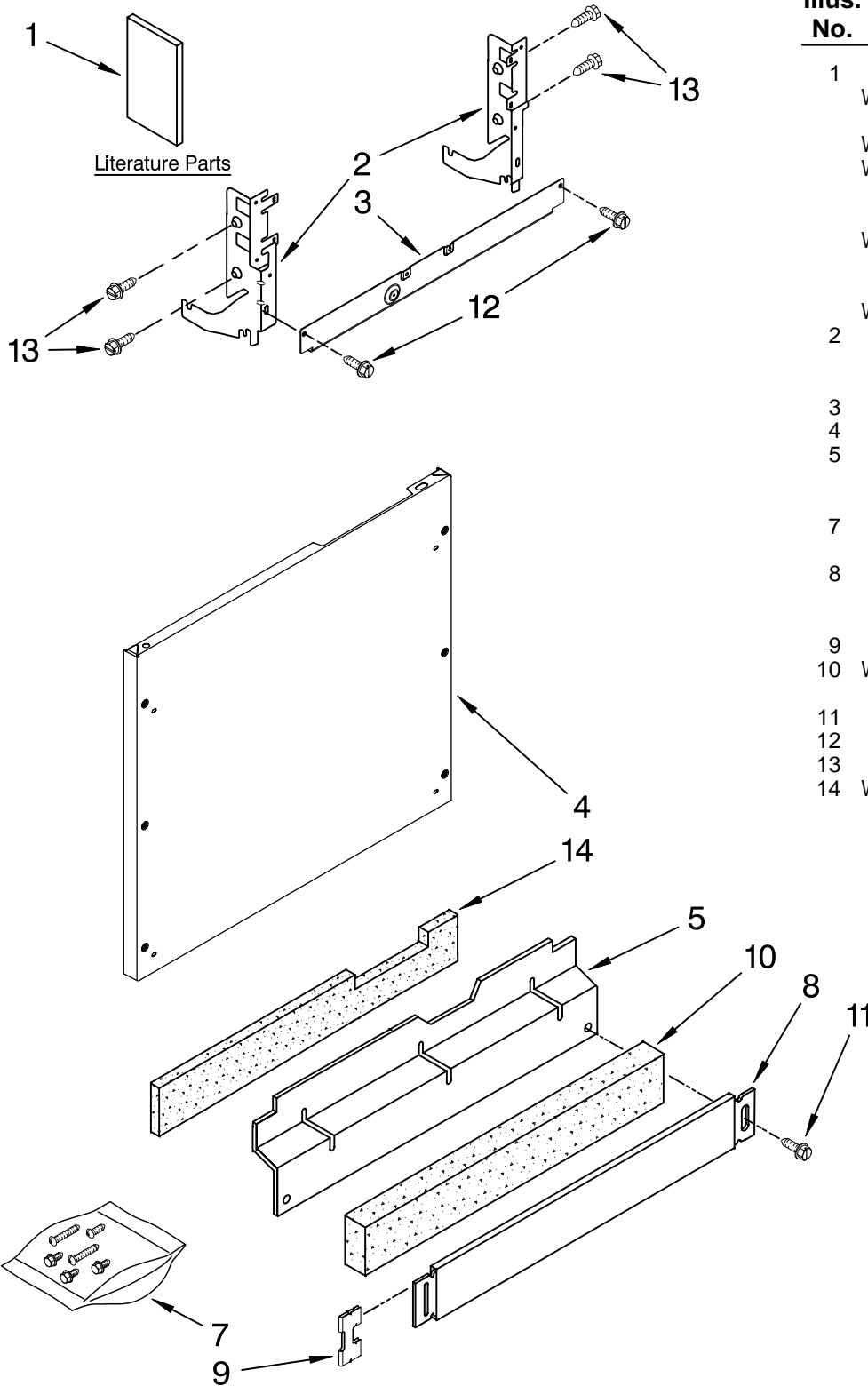


KitchenAid® DOOR AND PANEL PARTS

For Model: KUDS03FPA1

(Panel Ready)

UNDERCOUNTER
DISHWASHER



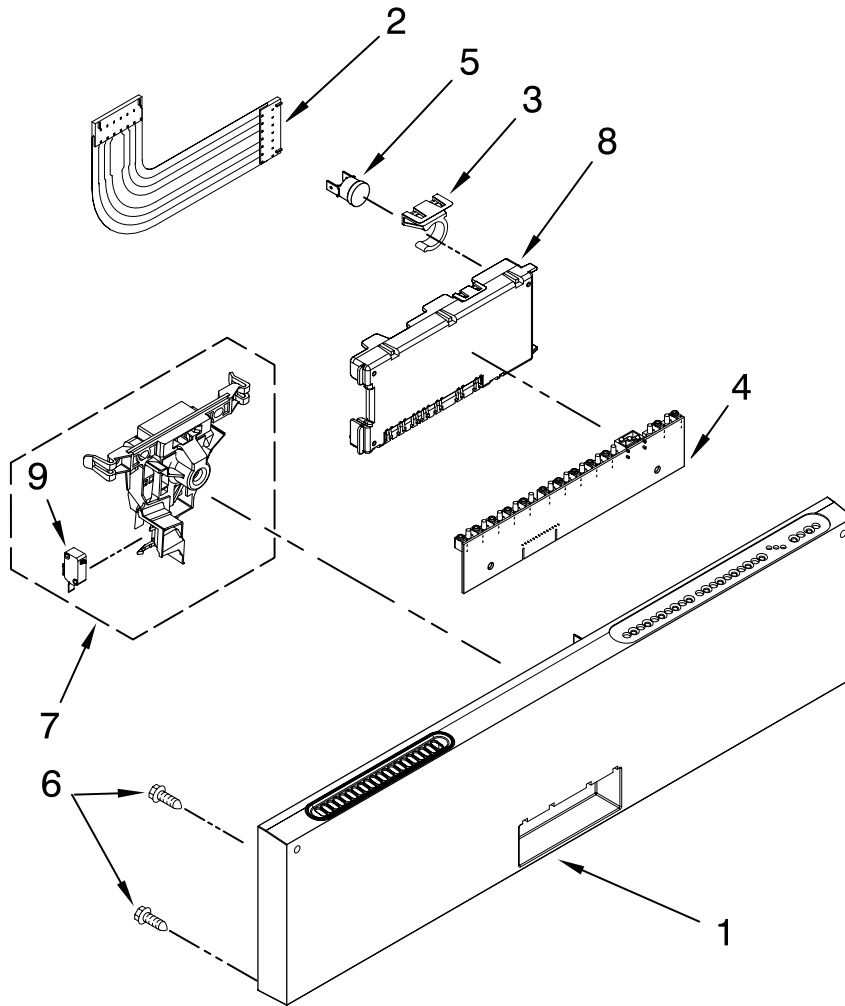
Illus. No.	Part No.	DESCRIPTION
1	W10078153	Literature Parts Instructions, Installation
	W10111124	Energy Guide
	W10084169	D/W User Instructions, Spanish
	W10084091	D/W User Instructions, English/French
	W10082651	Tech Sheet
2		Arm, Hinge
	8534854	Left
	8534853	Right
3	8564886	Stiffener, Door
4	8535133	Panel, Front
5		Access Panel (Includes #14)
	8558260	Black
7	8531882	Screws, Bag Door Assembly
8		Toe Panel (Includes 9 & 10)
	8558252	Black
9	8269016	Clip, Ground
10	W10073550	Insulation, Toe Panel
11	302868	Screw
12	304392	Screw
13	3400071	Screw
14	W10073540	Insulation, Access Panel

FOR ORDERING INFORMATION REFER TO PARTS PRICE LIST

CONTROL PANEL PARTS

For Model: KUDS03FTP1

(Panel Ready)



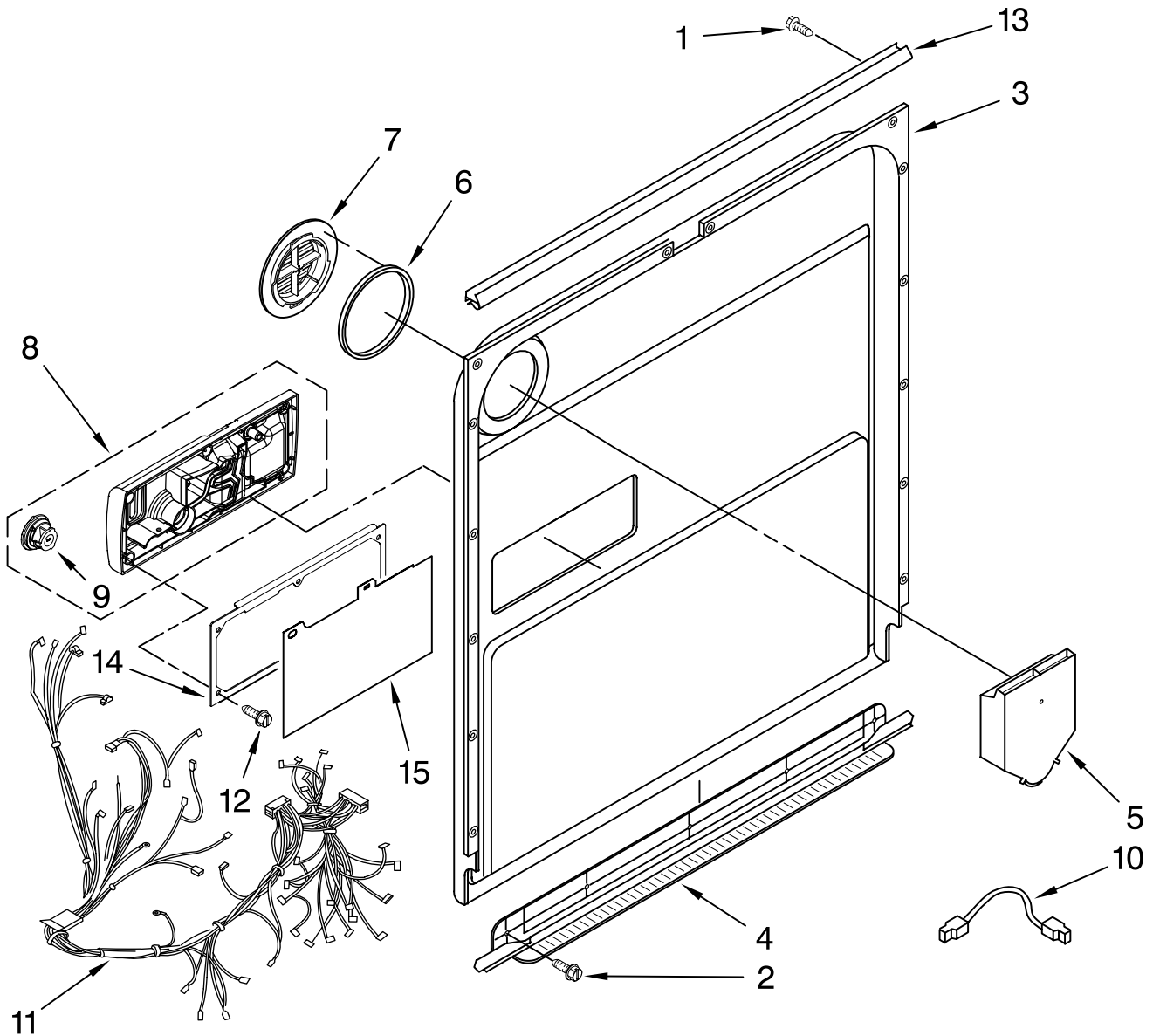
Illus. No.	Part No.	DESCRIPTION
1		Console Assembly (Includes Insert)
	W10084178	Black
2	8524447	Cable, Ribbon
3	8546546	Clip, BI-Metal
4	W10078079	User Interface
5	661663	BI-Metal
6	3369051	Screw
7	W10077360	Latch Assembly
8	W10084141	Control Assembly
9	W10134019	Switch, Door

FOR ORDERING INFORMATION REFER TO PARTS PRICE LIST

DOOR AND LATCH PARTS

For Model: KUDS03FTP A1

(Panel Ready)



Illus. No.	Part No.	DESCRIPTION
1	3369051	Screw, Door
2	8281217	Screw
3	8530900	Inner Door Mastic Assembly (Also Order Item 6)
4	W10077883	Inlet, Air
5	8572611	Vent Assembly (Also Order Item 6)

Illus. No.	Part No.	DESCRIPTION
6	8269259	Gasket, Vent
7	W10077877	Deflector, Vent (Also Order Item 6)
8	W10077882	Dispenser, Assembly
9	W10077881	Knob, Rinse Aid
10	8545608	Harness, Vent Motor

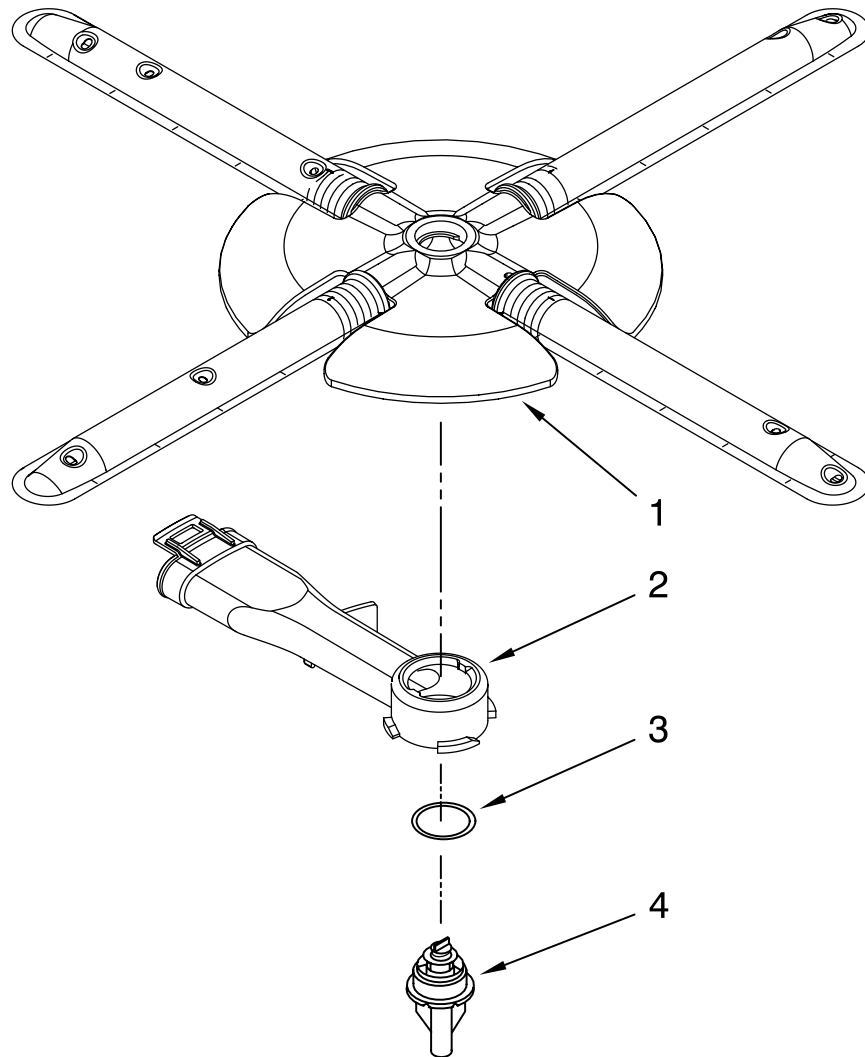
Illus. No.	Part No.	DESCRIPTION
11	W10078202	Wiring Harness
12	8281154	Screw
13	8535660	Seal, Console/door
14	8535637	Bracket, Dispenser
15	8531865	Shield, Dispenser

FOR ORDERING INFORMATION REFER TO PARTS PRICE LIST

LOWER WASHARM AND STRAINER PARTS

For Model: KUDS03FTP1

(Panel Ready)



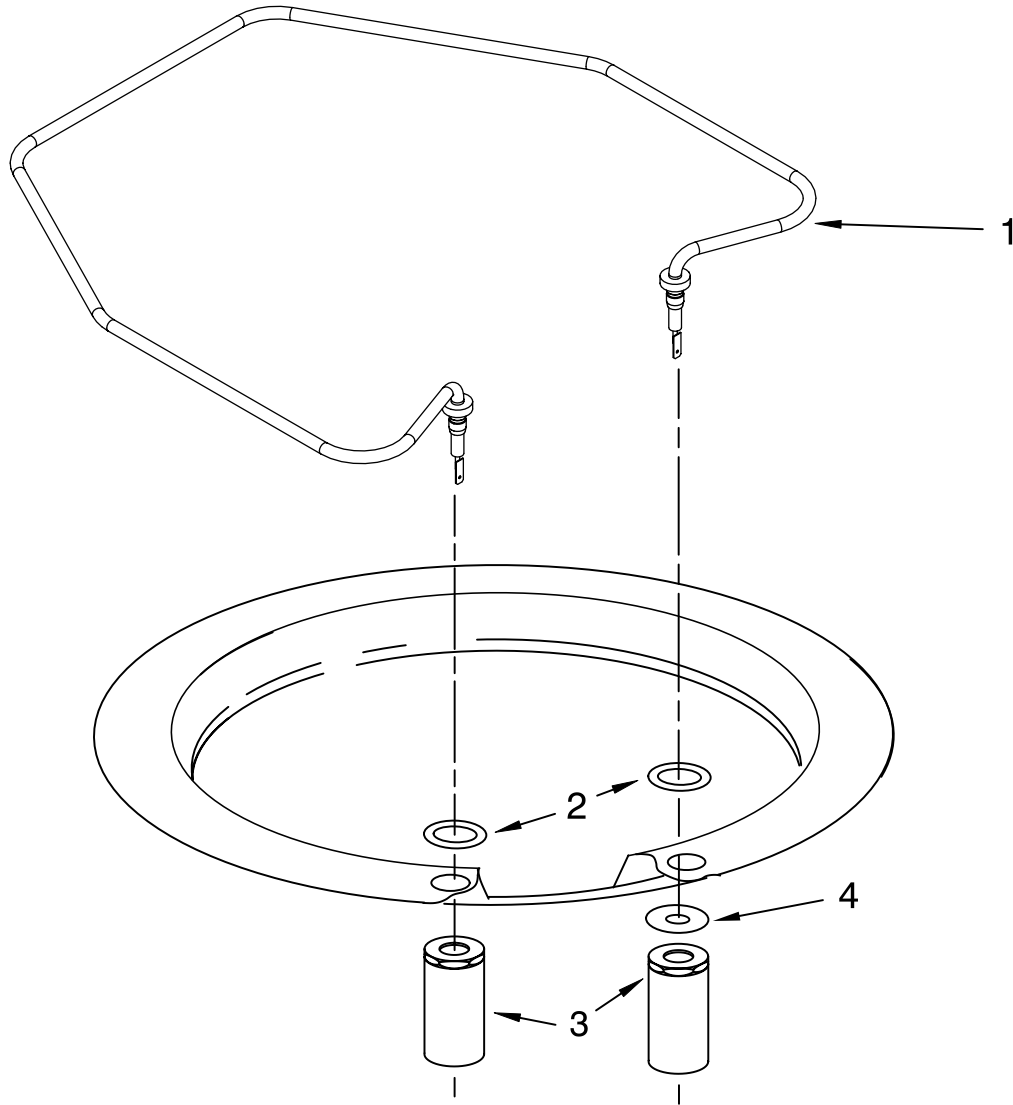
Illus. No.	Part No.	DESCRIPTION
1	W10077965	Wash Arm Assembly
2	W10077899	Cap, Internal Rear Feed (Also Order Item 3)
3	8268340	Seal, Sprayarm
4	W10077898	Hub, Lower Sprayarm (Also Order Item 3)

FOR ORDERING INFORMATION REFER TO PARTS PRICE LIST

HEATER PARTS

For Model: KUDS03FTP A1

(Panel Ready)



Illus. No.	Part No.	DESCRIPTION
1	8537057	Heater Element Assembly (Also Includes Item 2)
2	717273	Washer, Heater Element
3	8268548	Nut, Heater Element
4	3400931	Retainer, Spring Grip

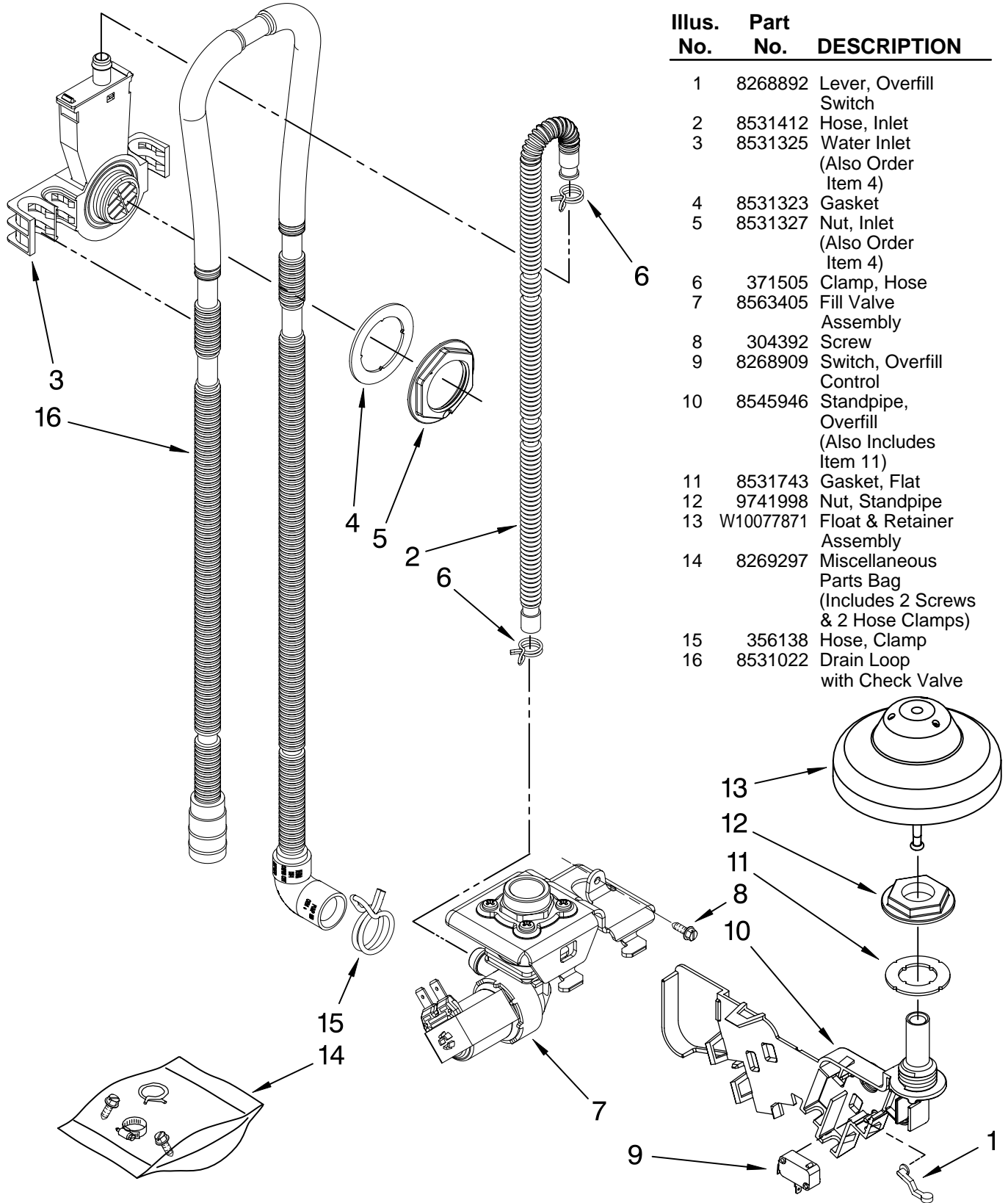
NOTE: If heater element is removed, it must be replaced.

FOR ORDERING INFORMATION REFER TO PARTS PRICE LIST

FILL, DRAIN AND OVERFILL PARTS

For Model: KUDS03FTP1

(Panel Ready)



Illus. No.	Part No.	DESCRIPTION
------------	----------	-------------

- | | | |
|----|-----------|--|
| 1 | 8268892 | Lever, Overflow Switch |
| 2 | 8531412 | Hose, Inlet |
| 3 | 8531325 | Water Inlet
(Also Order Item 4) |
| 4 | 8531323 | Gasket |
| 5 | 8531327 | Nut, Inlet
(Also Order Item 4) |
| 6 | 371505 | Clamp, Hose |
| 7 | 8563405 | Fill Valve Assembly |
| 8 | 304392 | Screw |
| 9 | 8268909 | Switch, Overflow Control |
| 10 | 8545946 | Standpipe, Overflow
(Also Includes Item 11) |
| 11 | 8531743 | Gasket, Flat |
| 12 | 9741998 | Nut, Standpipe |
| 13 | W10077871 | Float & Retainer Assembly |
| 14 | 8269297 | Miscellaneous Parts Bag
(Includes 2 Screws & 2 Hose Clamps) |
| 15 | 356138 | Hose, Clamp |
| 16 | 8531022 | Drain Loop with Check Valve |

FOR ORDERING INFORMATION REFER TO PARTS PRICE LIST

TUB AND FRAME PARTS

For Model: KUDS03FTPA1

(Panel Ready)

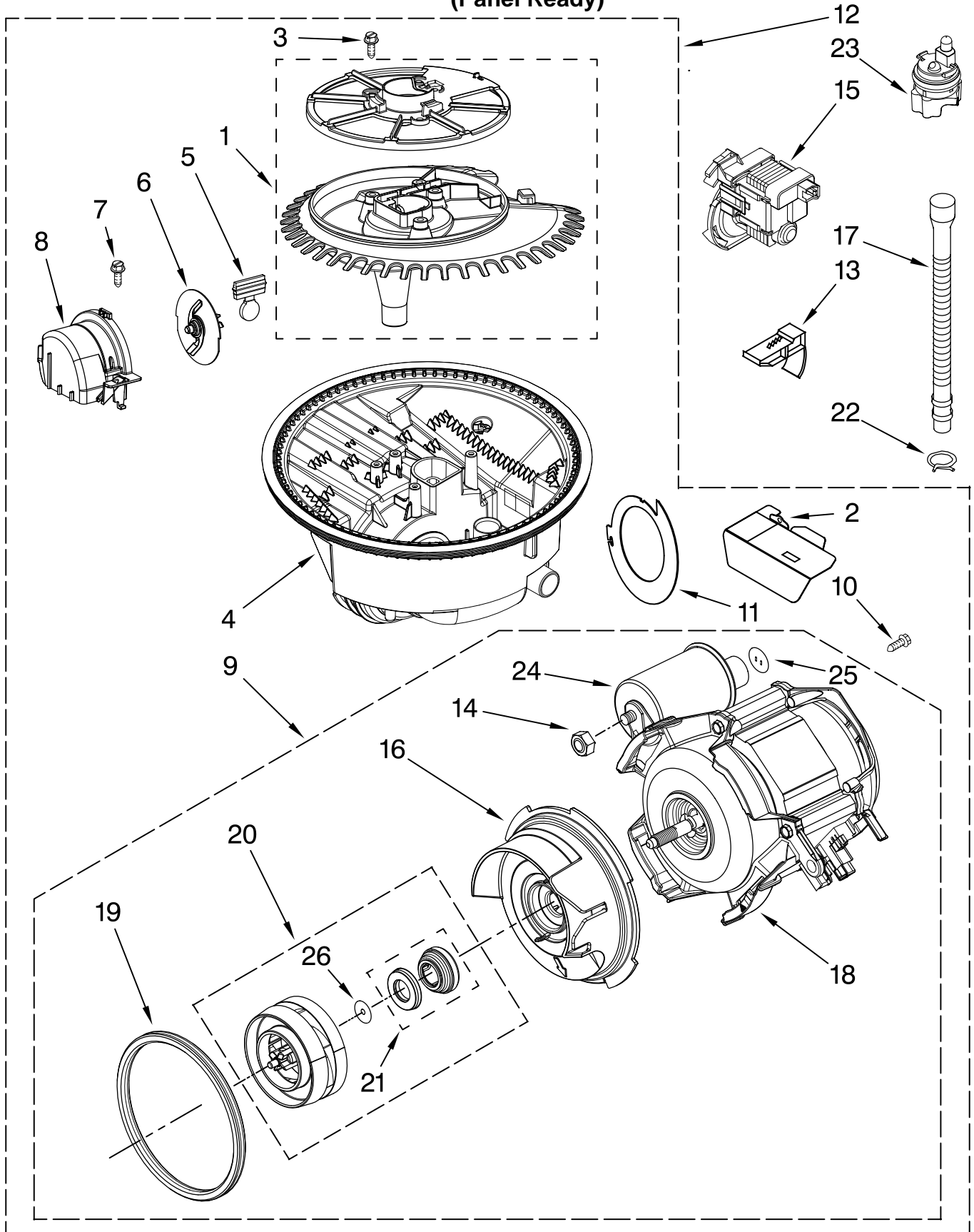
Illus.	Part	
No.	No.	DESCRIPTION
1	W10053090	Tub Assembly
2	8574123	Barrier, Moisture
3	W10112096	Door Seal
4	W10082838	Plug Tub
5	8572661	Actuator Assembly
6	8559844	Motor, Wax
7	8269110	Seal, Cabinet
8	8573061	Strain Relief
9	8270021	Mount, Door Balance
10	3367670	Screw
11	8269145	Bracket, Undercounter
12	3400074	Screw
13	3400924	Retainer, Push-in
14	3370389	Screw
15	8268977	Wheel Leg
16	8524584	Leveler, Leg
17	8524474	Wheel, door Balance
18	8270020	Spring, Door Balance
19	3400892	Screw
20	8268991	Cover, Terminal Box
21	8535568	Link, Door Balance
22	8268582	Insulator, Sound
23	304666	Retainer, Push
25	8573239	Shield, Sound Tub
26	9742648	Bracket, Thermostat
27	661566	Thermostat
28	W10077370	Strike, Plate
29	3378128	Washer, Pronged Cup
30	3400014	Screw

FOR ORDERING INFORMATION REFER TO PARTS PRICE LIST

PUMP AND MOTOR PARTS

For Model: KUDS03FTP A1

(Panel Ready)



FOR ORDERING INFORMATION REFER TO PARTS PRICE LIST

PUMP AND MOTOR PARTS

For Model: KUDS03FTP A1

(Panel Ready)

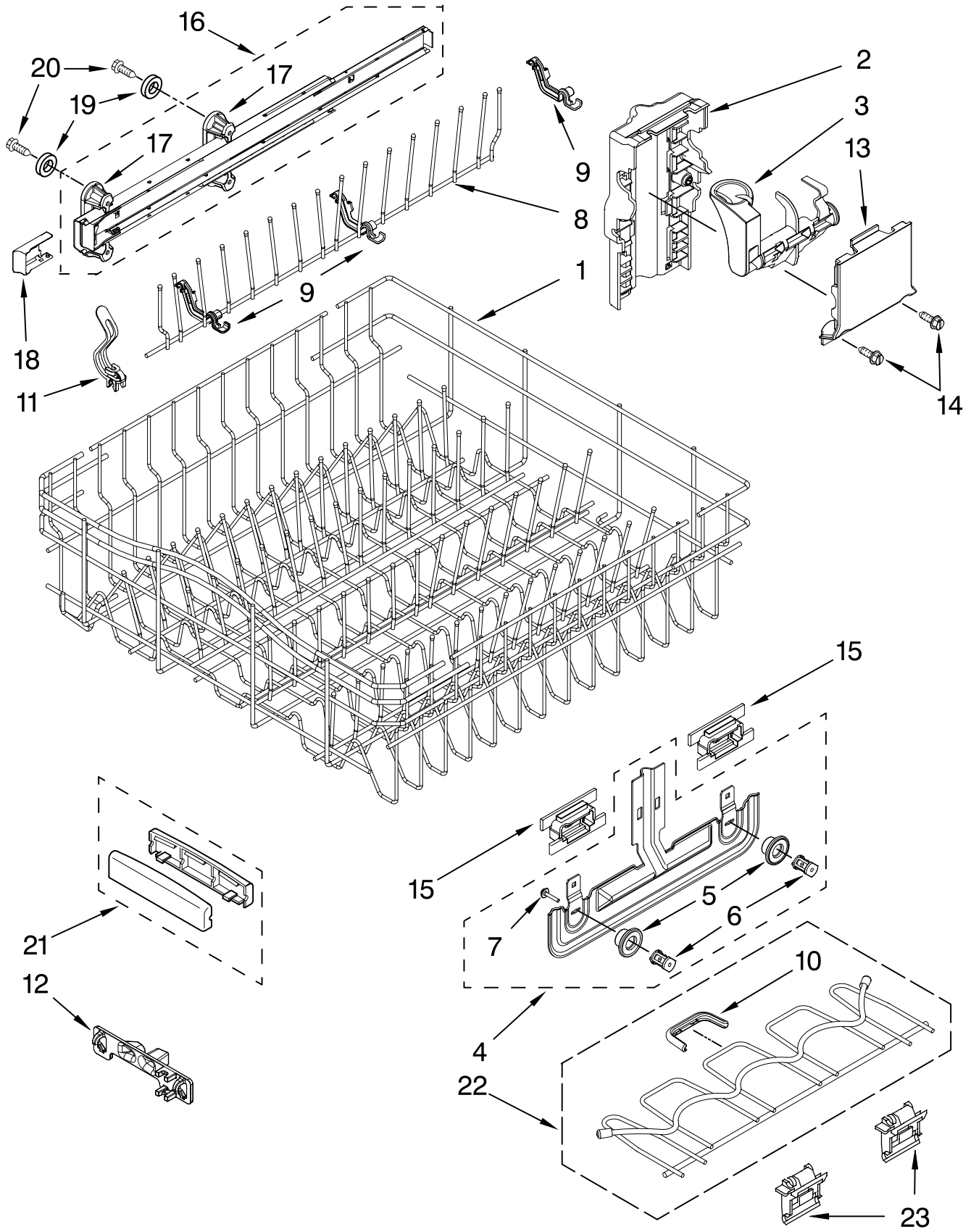
Illus. No.	Part No.	DESCRIPTION
1	8534952	Accumulator Assy
2	8283527	Shield, Motor
3	3400069	Screw
4	8572618	Sump With Seal
5	8268375	Check Valve, Sump
6	W10083957	Chopper Assembly
7	9741232	Screw
8	8531857	Protector, Inlet
9	8535760	Motor Assembly
10	3400217	Screw
11	8268391	Screen, Separation
12	W10084107	Sump & Motor Assembly (Includes Item 13)
13	8269524	Tab, Sump
14	8533949	Nut
15	661662	Pump, Drain
16	8531019	Volute, Back (Also Order Items 21 & 26)
17	8269144	Hose, Drain
18	8535759	Motor
19	8268397	Seal, Volute
20	8531017	Impeller Kit
21	8268403	Face Seal Assembly (Also Order Item 26)
22	356138	Clamp, Hose
23	W10082647	Optical Water Indicator
24	8535474	Capacitor
25	8534946	Shield, Capacitor
26	8531018	Washer

FOR ORDERING INFORMATION REFER TO PARTS PRICE LIST

UPPER RACK AND TRACK PARTS

For Model: KUDS03FTP A1

(Panel Ready)



FOR ORDERING INFORMATION REFER TO PARTS PRICE LIST

UPPER RACK AND TRACK PARTS

For Model: KUDS03FTPA1

(Panel Ready)

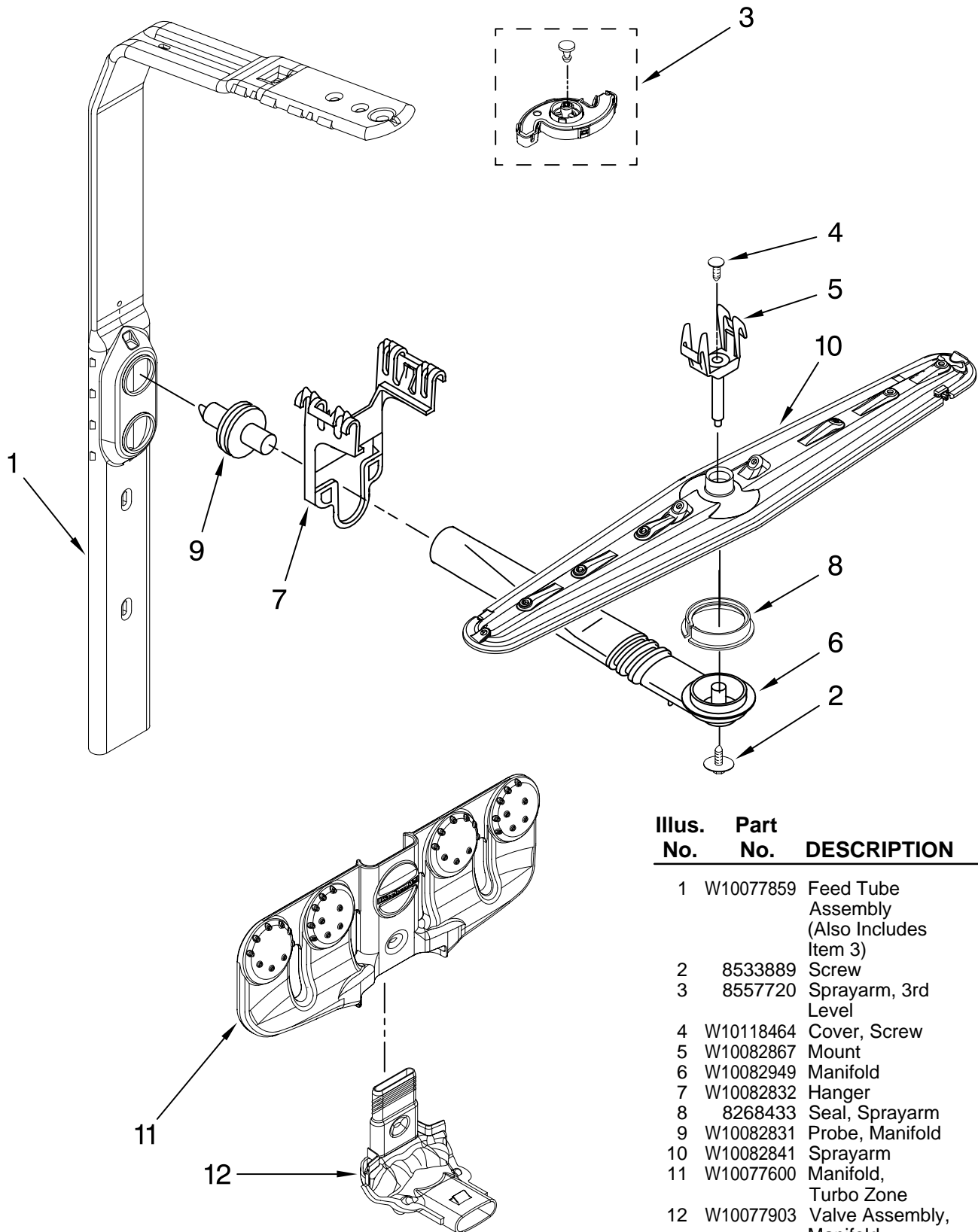
Illus. No.	Part No.	DESCRIPTION
1	8539235	Dishrack, Upper
2	W10082839	Housing, Adjuster
3		Actuator, Adjuster
	W10077838	Right Hand
	W10077839	Left Hand
4	8268653	Adjuster Assembly
5	8270138	Wheel
6	8268703	Axel, Adjuster
7	8281156	Screw
8	9744566	Tine Row
9	W10082853	Clip, Pivot
10	W10077843	Indicator, Cupshelf
11	W10077844	Clip, No-flip
12	8539102	Positioner, Dual
13	W10082840	Cover, Adjuster
14	9741232	Retainer
15	W10082834	Positioner, Arm
16		Track, Assembly
	W10078218	Right Hand
	W10078217	Left Hand (Also Order Item 19)
17	W10077876	Mount, Track (Also Order Item 19)
18		Stop, Track
	8573954	Right
	8573953	Left
19	9743002	Gasket, Bracket Mounting
20	3400072	Screw
21	8539110	Handle, Dishrack
22	W10077957	Cupshelf Assembly
23	8562026	Clip, Cupshelf

FOR ORDERING INFORMATION REFER TO PARTS PRICE LIST

UPPER WASH AND RINSE PARTS

For Model: KUDS03FTP A1

(Panel Ready)



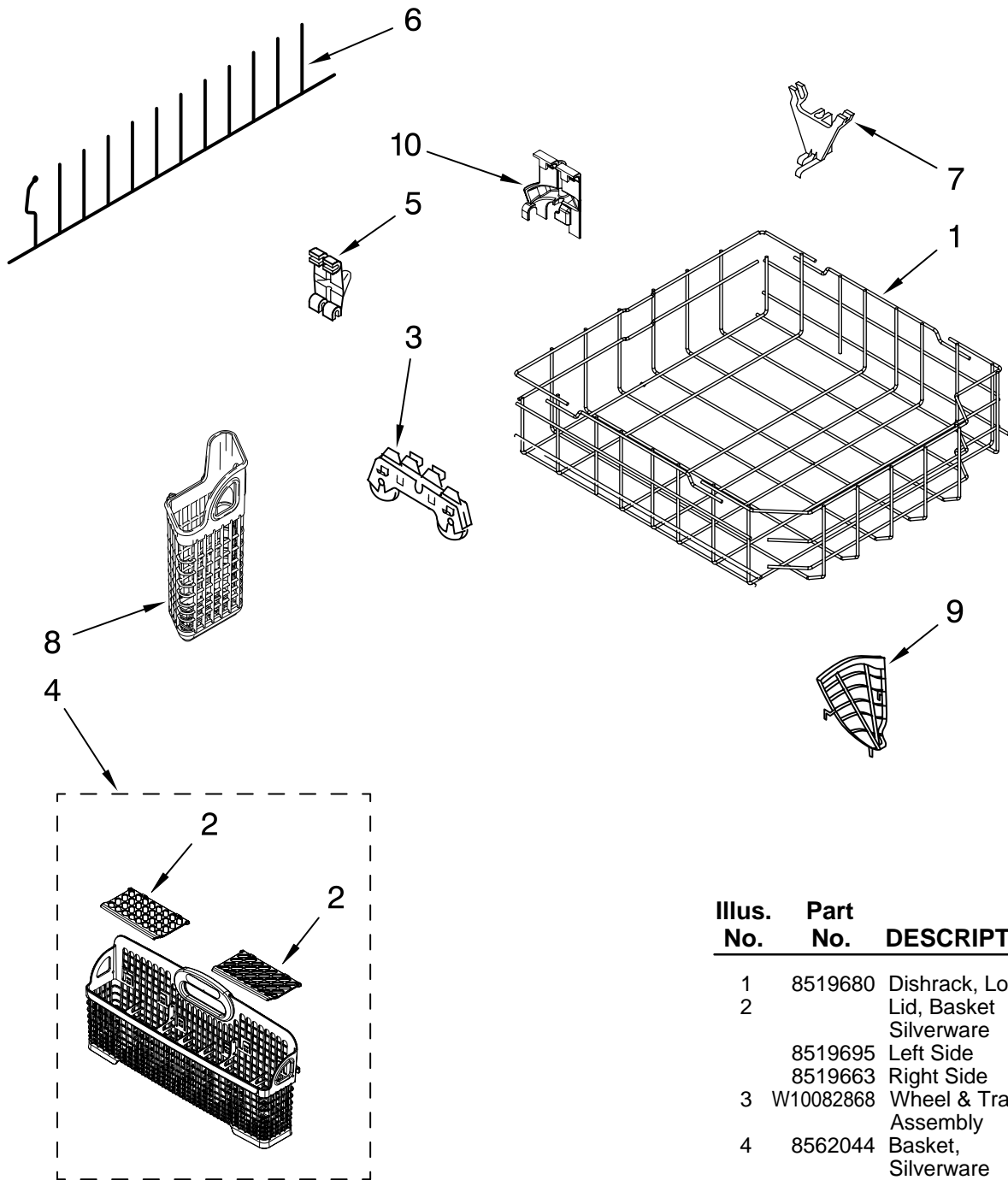
Illus. No.	Part No.	DESCRIPTION
1	W10077859	Feed Tube Assembly (Also Includes Item 3)
2	8533889	Screw
3	8557720	Sprayarm, 3rd Level
4	W10118464	Cover, Screw
5	W10082867	Mount
6	W10082949	Manifold
7	W10082832	Hanger
8	8268433	Seal, Sprayarm
9	W10082831	Probe, Manifold
10	W10082841	Sprayarm
11	W10077600	Manifold, Turbo Zone
12	W10077903	Valve Assembly, Manifold

FOR ORDERING INFORMATION REFER TO PARTS PRICE LIST

LOWER RACK PARTS

For Model: KUDS03FTP A1

(Panel Ready)



Illus. No.	Part No.	DESCRIPTION
1	8519680	Dishrack, Lower
2	8519680	Lid, Basket Silverware
	8519695	Left Side
	8519663	Right Side
3	W10082868	Wheel & Transport Assembly
4	8562044	Basket, Silverware
5	8531314	Retainer, Tine Row
6	8519682	Tine Row
7	W10078227	Pivot, Tine Row
8	8519702	Basket, Utensil
9	8562069	Holder, Knife
10	W10078215	Retainer, Tine Row Combo

FOR ORDERING INFORMATION REFER TO PARTS PRICE LIST

OPTIONAL PARTS (NOT INCLUDED)

For Model: KUDS03FTPA1

(Panel Ready)

<u>Illus. No.</u>	<u>Part No.</u>	<u>DESCRIPTION</u>
<u>ACCESSORIES</u>		
	8171656	White
	8171657	Black
	8171658	Biscuit
	8171659	Stainless Steel
	Custom Panel & Trim Kit	
	8212489	Black
	Towel Bar Handle Kit	
	8573938	Stainless Steel
	Drain Hose	
	3385556	12 Ft.
	Vinyl Touch-Up (4oz.)	
	676453	White
	676455	Grey
	4396853	Silver Atlantis
	Moisture Barrier Kit	
	4396277	Kit

<u>Illus. No.</u>	<u>Part No.</u>	<u>DESCRIPTION</u>
<u>PAINT, TOUCH-UP (1/2oz.)</u>		
	72017	White
	72032	Black
	4392899	Biscuit
	4396603	Meteorite
<u>PAINT, PRESSURIZED SPRAY (12 oz.)</u>		
	350930	White
	285006	Superior Black
	4392901	Biscuit
<u>PAINT, BULK (1 qt.)</u>		
	799344	White (Uncut)
	4392900	Biscuit

<u>Illus. No.</u>	<u>Part No.</u>	<u>DESCRIPTION</u>
<u>POWER CORD KIT</u>		
	4317824	Power Cord Kit (Includes Power Cord & Misc. Hardware)
<u>ANTI-TIP KIT</u>		
	8171477	Floor Mount Kit
<u>DISHRACK REPAIR</u>		
	4396838	White
	4396840	Grey
	4396854	Silver Atlantis

FOR ORDERING INFORMATION REFER TO PARTS PRICE LIST