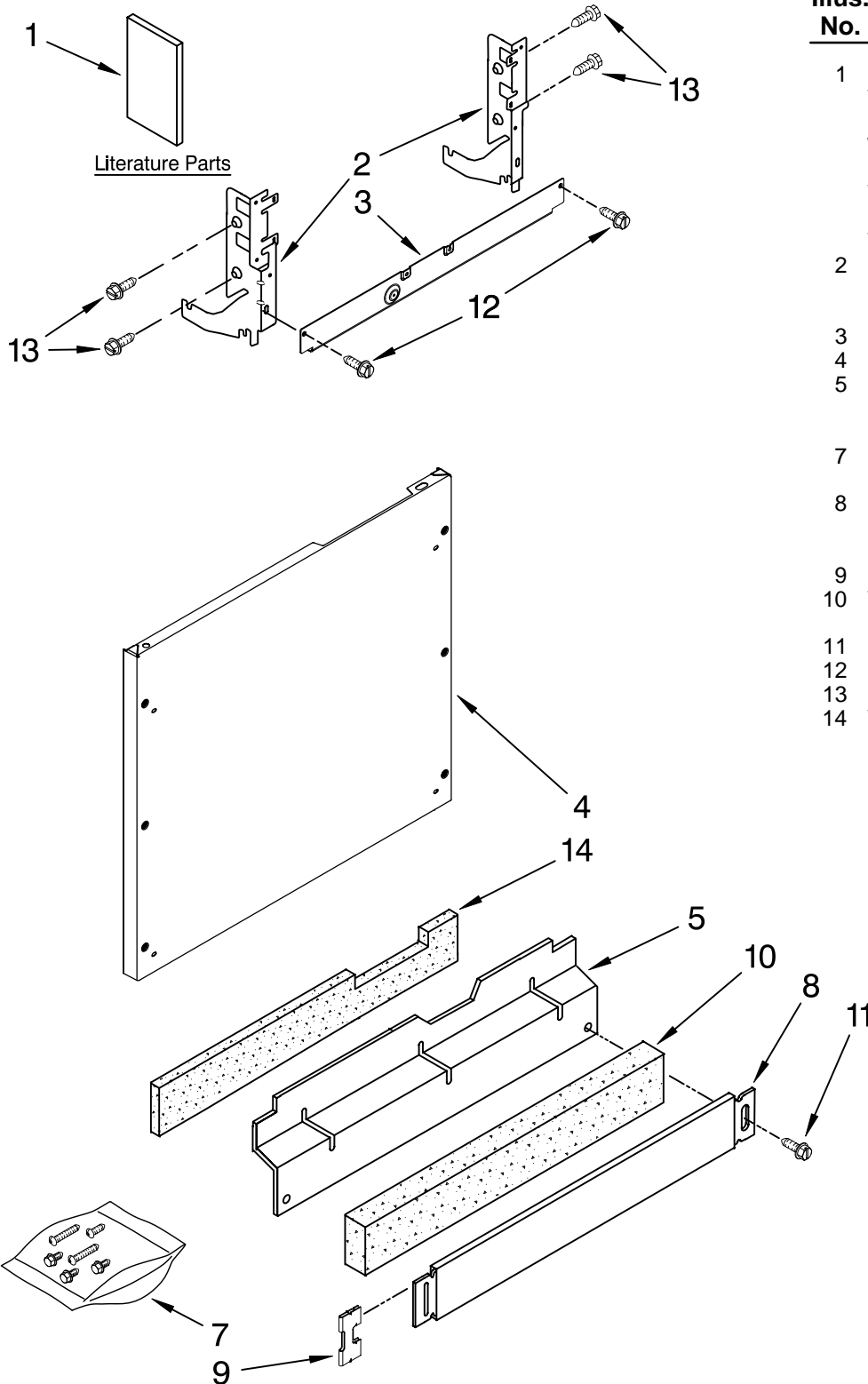


# KitchenAid® DOOR AND PANEL PARTS

For Models: KUDS03FTPA0  
(Panel Ready)

UNDERCOUNTER  
DISHWASHER

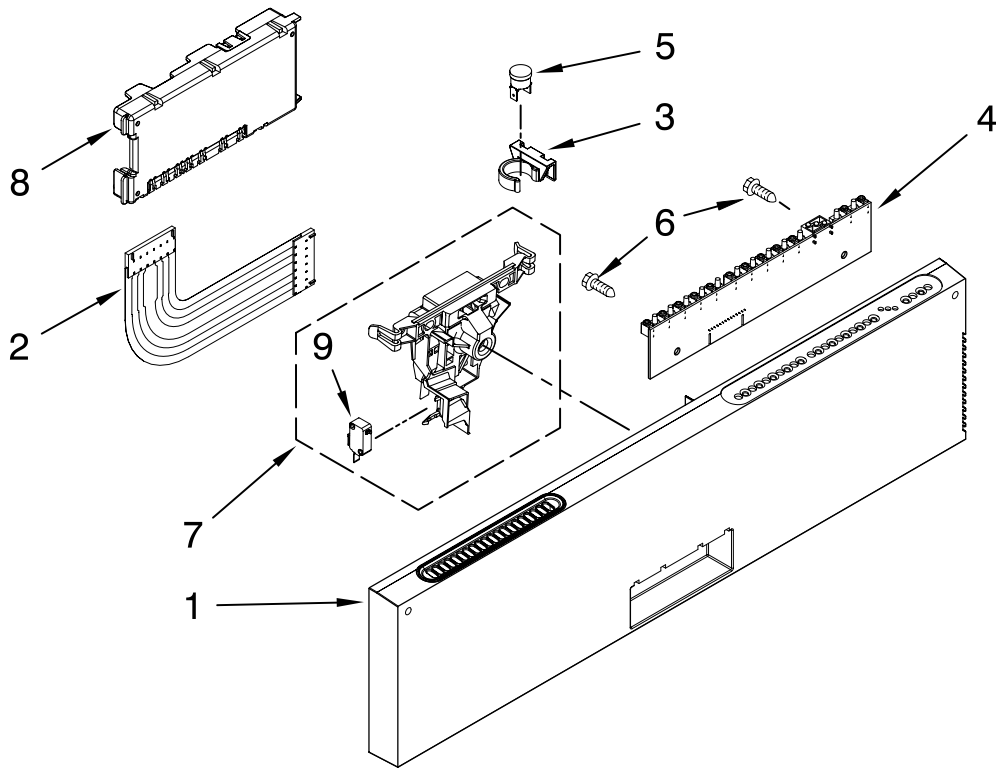


Illus. No.	Part No.	DESCRIPTION
1	W10078153	Literature Parts Instructions, Installation
	W10111124	Energy Guide
	8574093	Guide, Use & Care
	W10077823	Guide, Consumer Reference
	W10082651	Tech Sheet
2		Arm, Hinge
	8534854	Left
	8534853	Right
3	8564886	Stiffener, Door
4	8535133	Panel, Front
5		Access Panel (Includes #14)
	8558260	Black
7	8531882	Screws, Bag Door Assembly
8		Toe Panel (Includes 9 & 10)
	8558252	Black
9	8269016	Clip, Ground
10	W10073550	Insulation, Toe Panel
11	302868	Screw
12	304392	Screw
13	3400071	Screw
14	W10073540	Insulation, Access Panel

FOR ORDERING INFORMATION REFER TO PARTS PRICE LIST

# CONTROL PANEL PARTS

For Models: KUDS03FTPA0  
(Panel Ready)

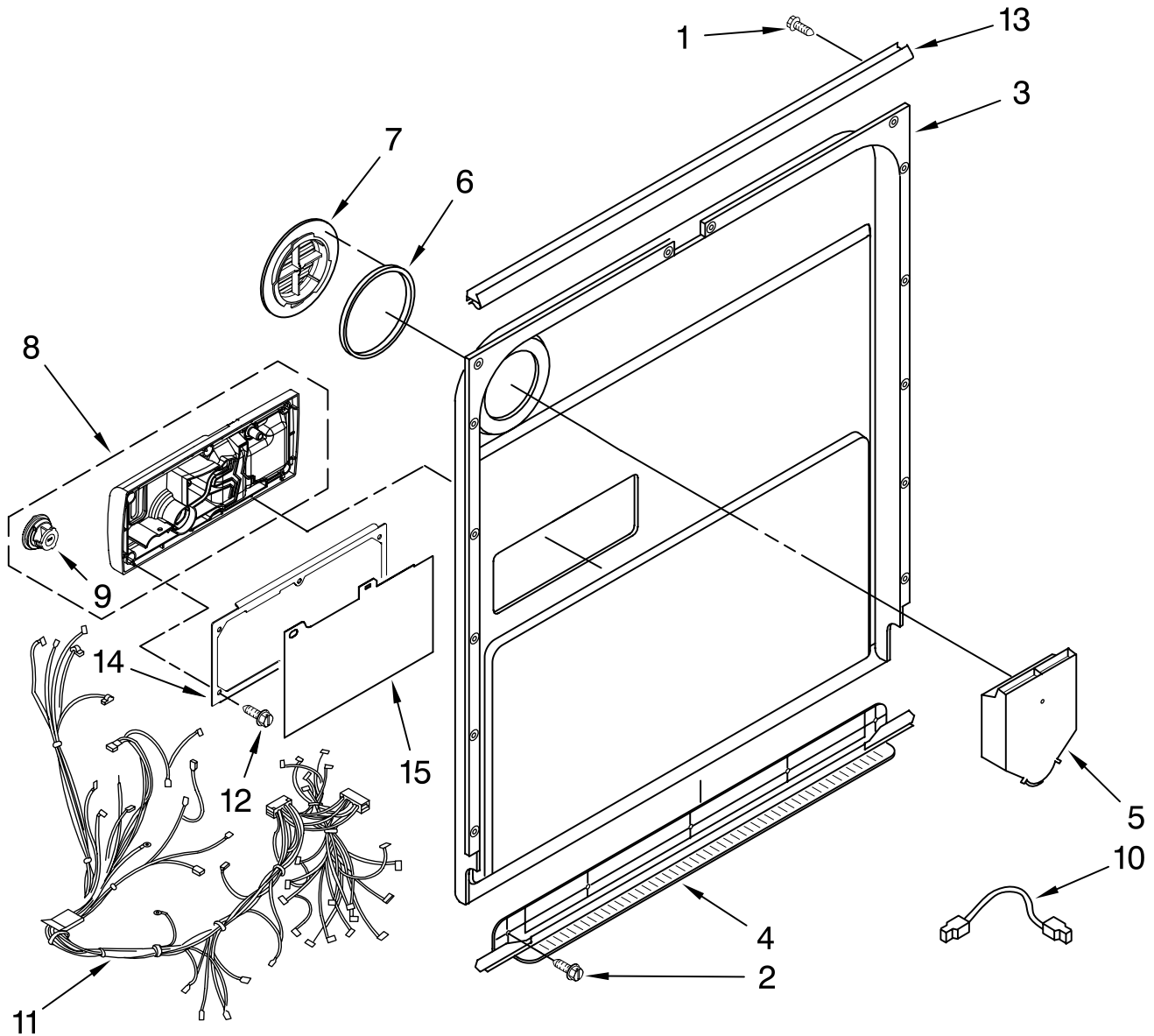


Illus. No.	Part No.	DESCRIPTION
1		Console Assembly (Includes Insert)
	W10078061	Black
2	8524447	Cable, Ribbon
3	8546546	Clip, BI-Metal
4	W10078079	User Interface
5	661663	BI-Metal
6	3369051	Screw (6)
7	W10077360	Latch Assembly
8	8575276	Control Assembly
9	W10134019	Switch, Door

FOR ORDERING INFORMATION REFER TO PARTS PRICE LIST

# DOOR AND LATCH PARTS

For Models: KUDS03FTPA0  
(Panel Ready)

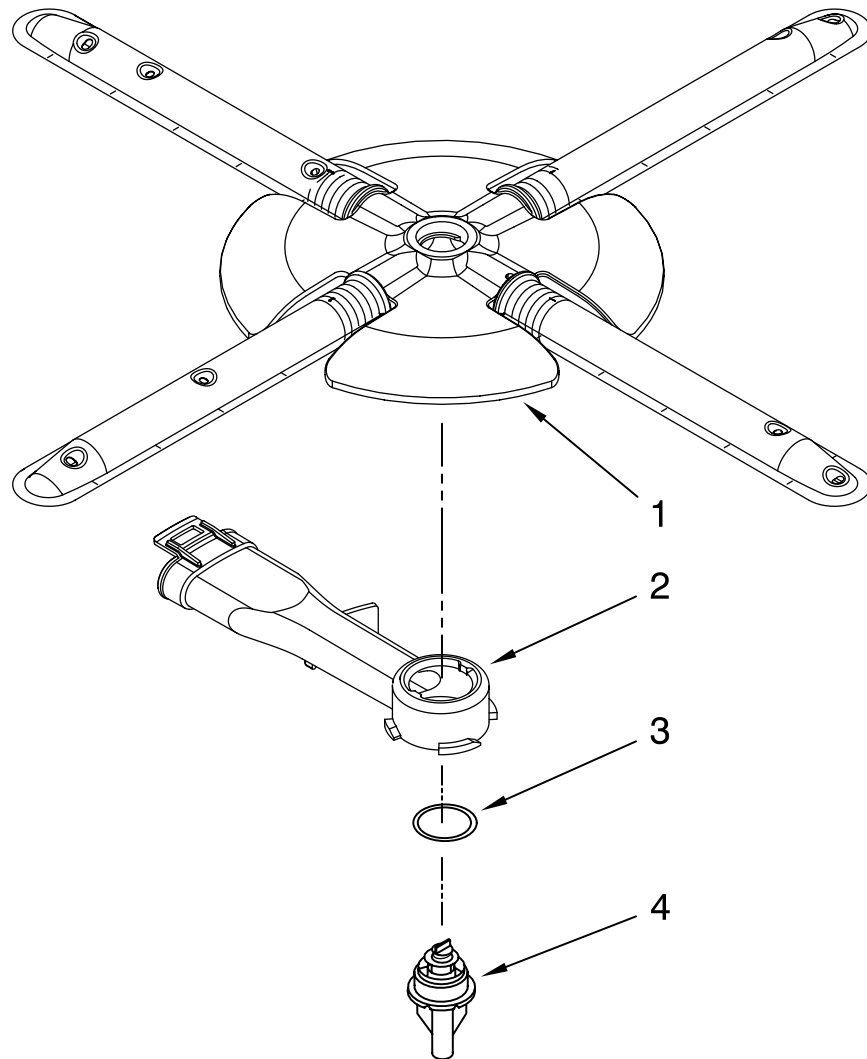


Illus. No.	Part No.	DESCRIPTION	Illus. No.	Part No.	DESCRIPTION	Illus. No.	Part No.	DESCRIPTION
1	3369051	Screw, Door	6	8269259	Gasket, Vent	11	W10078202	Wiring Harness
2	8281217	Screw	7	W10077877	Deflector, Vent (Also Order Item 6)	12	8281154	Screw (6)
3	8530900	Inner Door Mastic Assembly (Also Order Item 6)	8	W10077882	Dispenser, Assembly	13	8535660	Seal, Console/door
4	W10077883	Inlet, Air	9	W10077881	Knob, Rinse Aid	14	8535637	Bracket, Dispenser
5	8572611	Vent Assembly (Also Order Item 6)	10	8545608	Harness, Vent Motor	15	8531865	Shield, Dispenser

FOR ORDERING INFORMATION REFER TO PARTS PRICE LIST

# LOWER WASHARM AND STRAINER PARTS

For Models: KUDS03FPA0  
(Panel Ready)

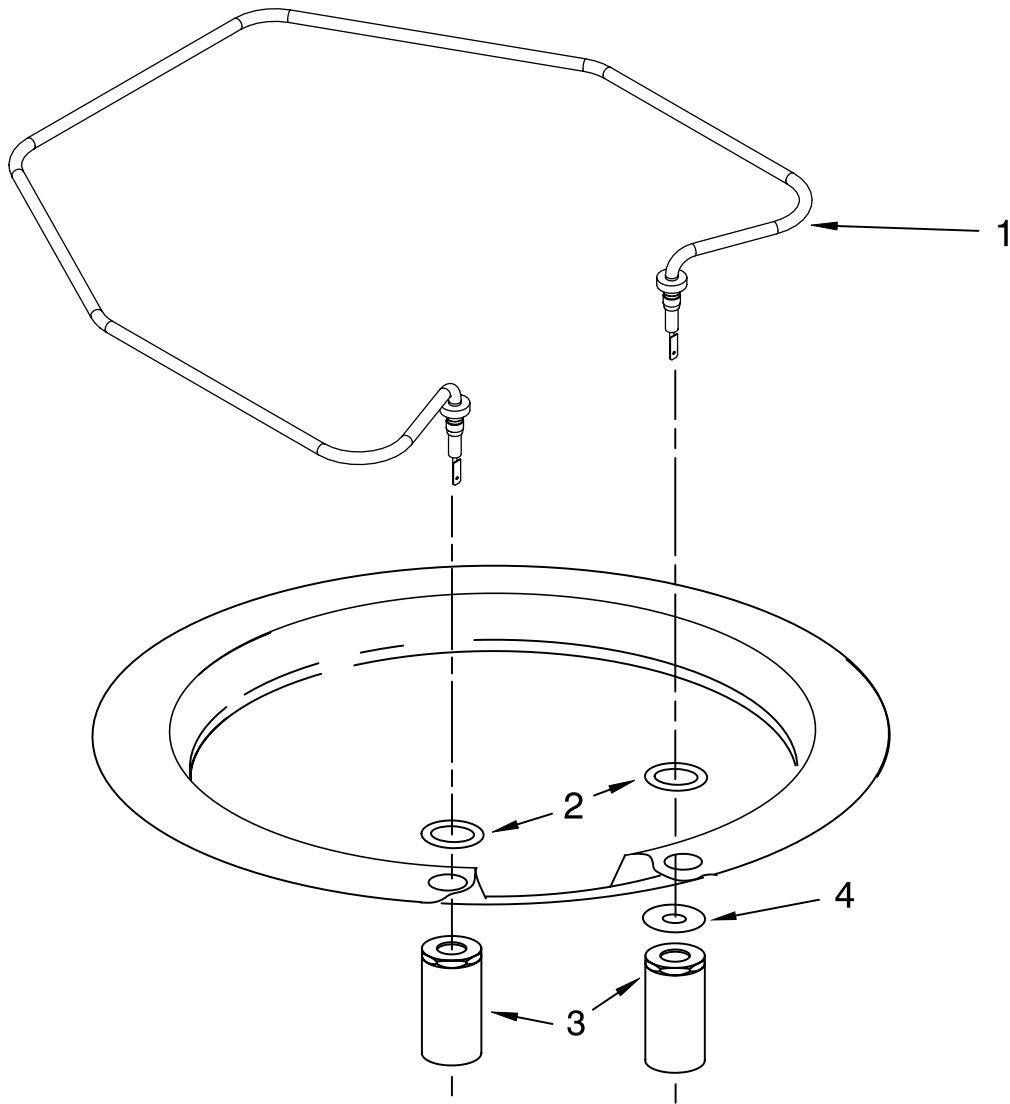


Illus. No.	Part No.	DESCRIPTION
1	W10077965	Wash Arm Assembly
2	W10077899	Cap, Internal Rear Feed (Also Order Item 3)
3	8268340	Seal, Sprayarm
4	W10077898	Hub, Lower Sprayarm (Also Order Item 3)

FOR ORDERING INFORMATION REFER TO PARTS PRICE LIST

# HEATER PARTS

For Models: KUDS03FTPA0  
(Panel Ready)



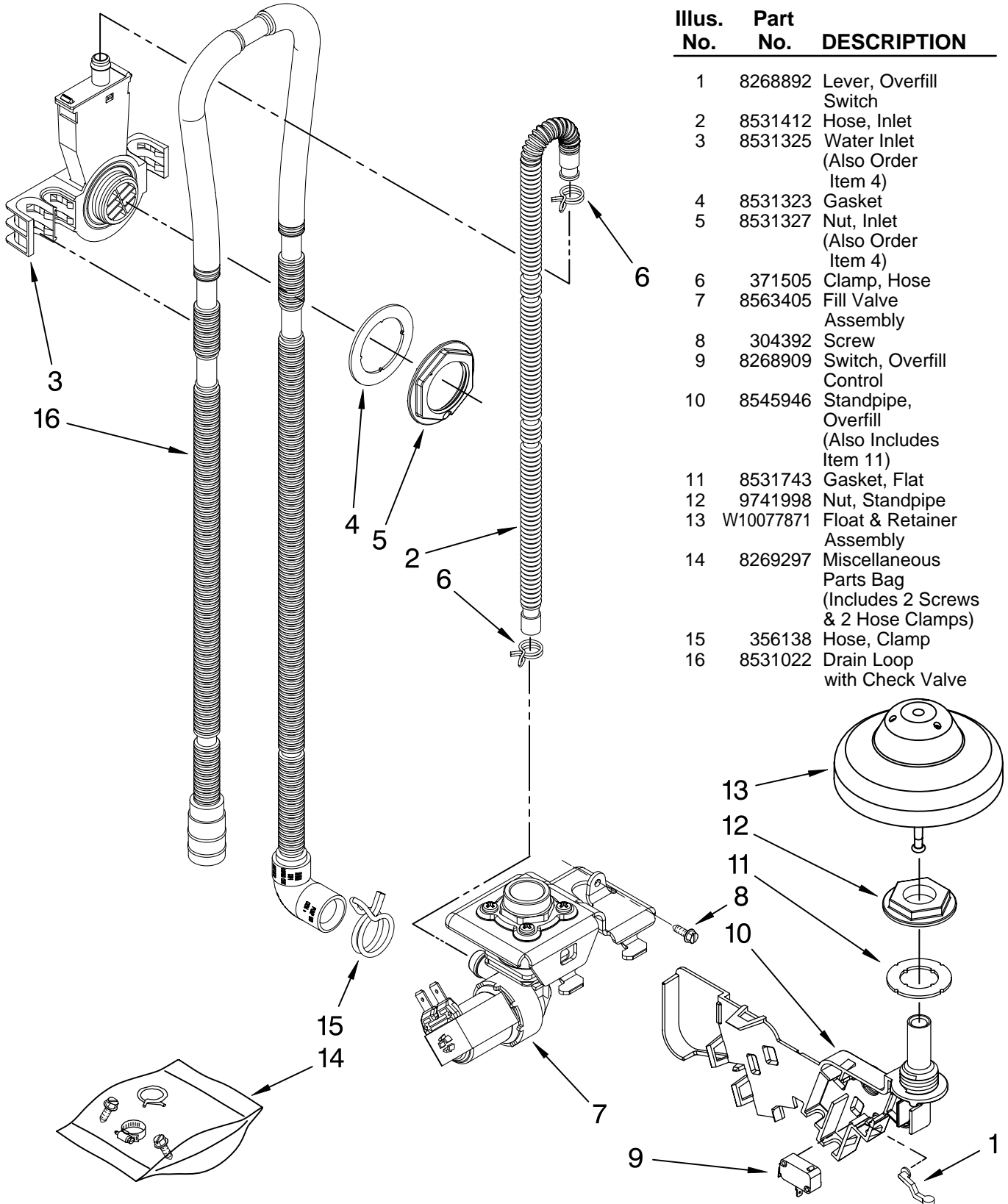
Illus. No.	Part No.	DESCRIPTION
1	8537057	Heater Element Assembly (Also Includes Item 2)
2	717273	Washer, Heater Element
3	8268548	Nut, Heater Element
4	3400931	Retainer, Spring Grip

**NOTE:** If heater element is removed, it must be replaced.

FOR ORDERING INFORMATION REFER TO PARTS PRICE LIST

# FILL, DRAIN AND OVERFILL PARTS

For Models: KUDS03FPA0  
(Panel Ready)

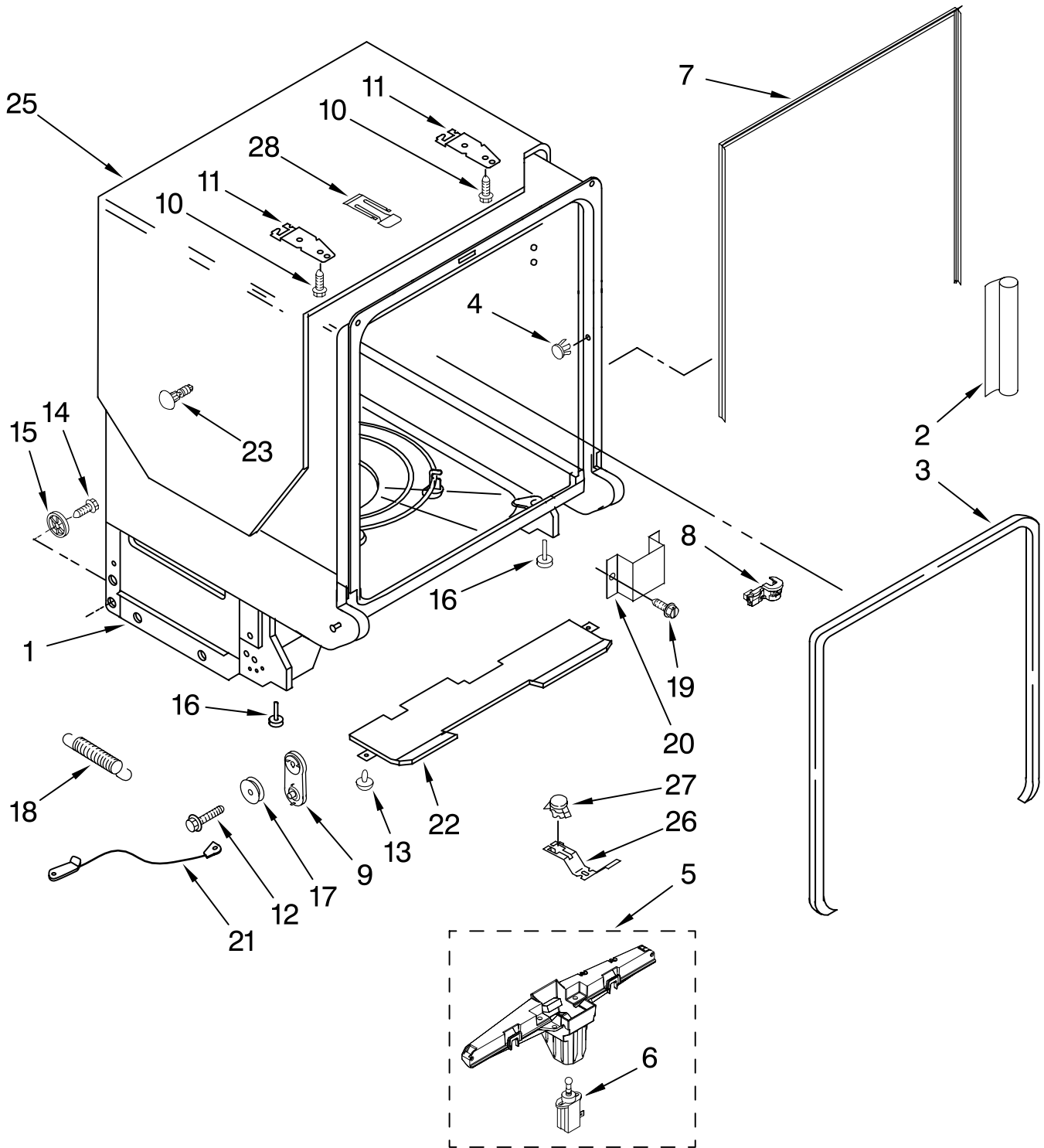


Illus. No.	Part No.	DESCRIPTION
1	8268892	Lever, Overfill Switch
2	8531412	Hose, Inlet
3	8531325	Water Inlet (Also Order Item 4)
4	8531323	Gasket
5	8531327	Nut, Inlet (Also Order Item 4)
6	371505	Clamp, Hose
7	8563405	Fill Valve Assembly
8	304392	Screw
9	8268909	Switch, Overfill Control
10	8545946	Standpipe, Overflow (Also Includes Item 11)
11	8531743	Gasket, Flat
12	9741998	Nut, Standpipe
13	W10077871	Float & Retainer Assembly
14	8269297	Miscellaneous Parts Bag (Includes 2 Screws & 2 Hose Clamps)
15	356138	Hose, Clamp
16	8531022	Drain Loop with Check Valve

# TUB AND FRAME PARTS

For Models: KUDS03FTPA0

(Panel Ready)



FOR ORDERING INFORMATION REFER TO PARTS PRICE LIST

# TUB AND FRAME PARTS

For Models: KUDS03FTPA0  
(Panel Ready)

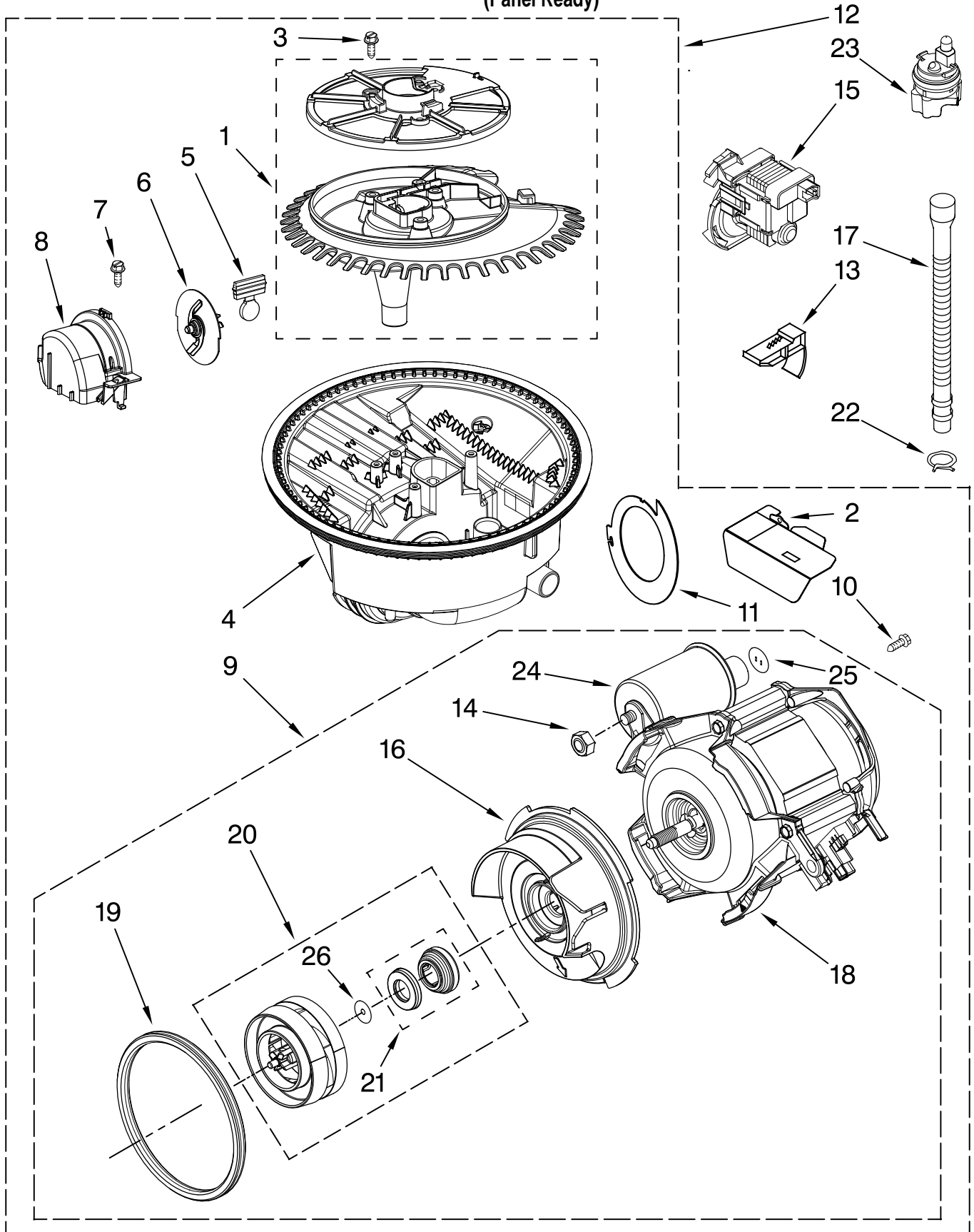
<b>Illus. No.</b>	<b>Part No.</b>	<b>DESCRIPTION</b>
1	W10053090	Tub Assembly
2	8574123	Barrier, Moisture
3	W10112096	Door Seal
4	8270119	Plug Tub (2)
5	8572661	Actuator Assembly
6	8559844	Motor, Wax
7	8269110	Seal, Cabinet
8	8573061	Strain Relief
9	8270021	Mount, Door Balance
10	3367670	Screw
11	8269145	Bracket, Undercounter
12	3400074	Screw (2)
13	3400924	Retainer, Push-in
14	3370389	Screw (2)
15	8268977	Wheel Leg
16	8524584	Leveler, Leg
17	8524474	Wheel, door Balance
18	8270020	Spring, Door Balance
19	3400892	Screw
20	8268991	Cover, Terminal Box
21	8535568	Link, Door Balance
22	8268582	Insulator, Sound
23	304666	Retainer, Push (2)
25	8573239	Shield, Sound Tub
26	9742648	Bracket, Thermostat
27	661566	Thermostat
28	W10077370	Strike, Plate

FOR ORDERING INFORMATION REFER TO PARTS PRICE LIST



# PUMP AND MOTOR PARTS

For Models: KUDS03FTP A0  
(Panel Ready)



FOR ORDERING INFORMATION REFER TO PARTS PRICE LIST

# PUMP AND MOTOR PARTS

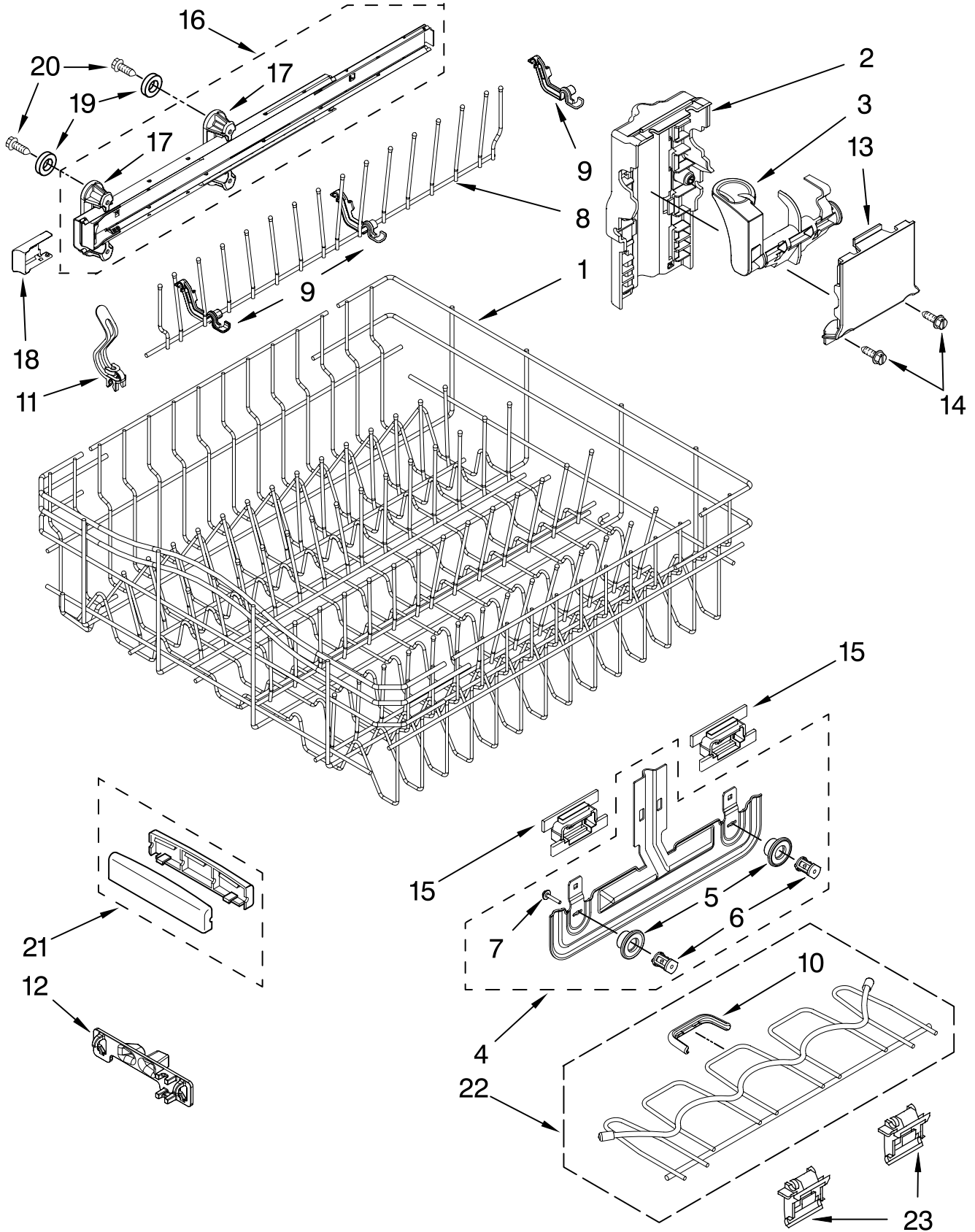
For Models: KUDS03FTPA0  
(Panel Ready)

<b>Illus. No.</b>	<b>Part No.</b>	<b>DESCRIPTION</b>
1	8534952	Accumulator Assy
2	8283527	Shield, Motor
3	3400069	Screw
4	8572618	Sump With Seal
5	8268375	Check Valve, Sump
6	W10083957	Chopper Assembly
7	9741232	Screw
8	8531857	Protector, Inlet
9	8535760	Motor Assembly
10	3400217	Screw
11	8268391	Screen, Separation
12	W10084107	Sump & Motor Assembly (Includes Item 13)
13	8269524	Tab, Sump
14	8533949	Nut
15	661662	Pump, Drain
16	8531019	Volute, Back (Also Order Items 21 & 26)
17	8269144	Hose, Drain
18	8535759	Motor
19	8268397	Seal, Volute
20	8531017	Impeller Kit
21	8268403	Face Seal Assembly (Also Order Item 26)
22	356138	Clamp, Hose
23	W10082647	Optical Water Indicator
24	8535474	Capacitor
25	8534946	Shield, Capacitor
26	8531018	Washer

FOR ORDERING INFORMATION REFER TO PARTS PRICE LIST

# UPPER RACK AND TRACK PARTS

For Models: KUDS03FPA0  
(Panel Ready)



FOR ORDERING INFORMATION REFER TO PARTS PRICE LIST

# UPPER RACK AND TRACK PARTS

For Models: KUDS03FTPA0

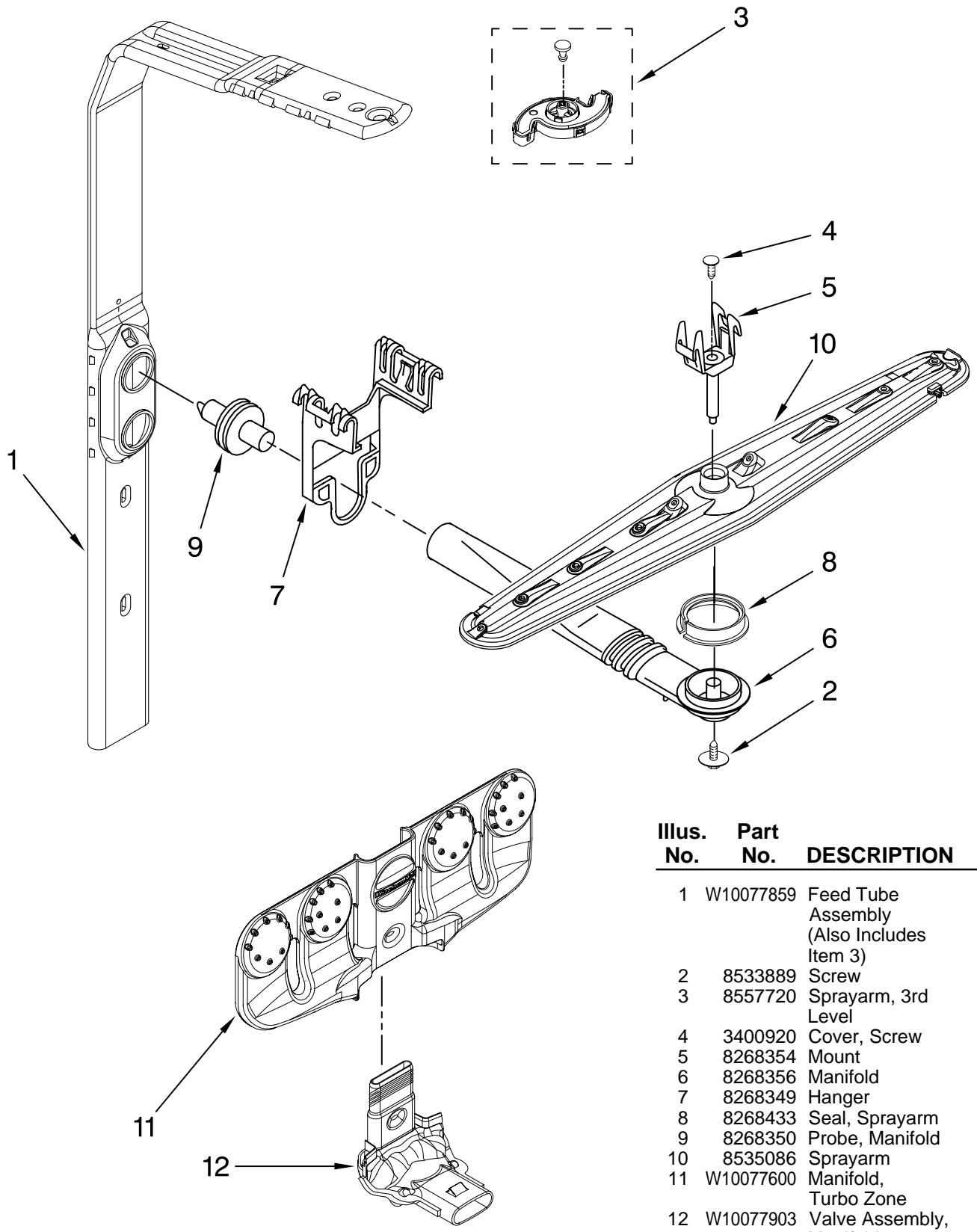
(Panel Ready)

<b>Illus. No.</b>	<b>Part No.</b>	<b>DESCRIPTION</b>
1	8539235	Dishrack, Upper
2	8531344	Housing, Adjuster
3		Actuator, Adjuster
	W10077838	Right Hand
	W10077839	Left Hand
4	8268653	Adjuster Assembly
5	8270138	Wheel
6	8268703	Axel, Adjuster
7	8281156	Screw
8	9744566	Tine Row
9	8539190	Clip, Pivot
10	W10077843	Indicator, Cupshelf
11	W10077844	Clip, No-flip
12	8539102	Positioner, Dual
13	8531346	Cover, Adjuster
14	9741232	Retainer
15	8268738	Positioner, Arm
16		Track, Assembly
	W10078218	Right Hand
	W10078217	Left Hand (Also Order Item 19)
17	W10077876	Mount, Track (Also Order Item 19)
18		Stop, Track
	8573954	Right
	8573953	Left
19	9743002	Gasket, Bracket Mounting
20	3400072	Screw (8)
21	8539110	Handle, Dishrack
22	W10077957	Cupshelf Assembly
23	8562026	Clip, Cupshelf

FOR ORDERING INFORMATION REFER TO PARTS PRICE LIST

# UPPER WASH AND RINSE PARTS

For Models: KUDS03FPA0  
(Panel Ready)

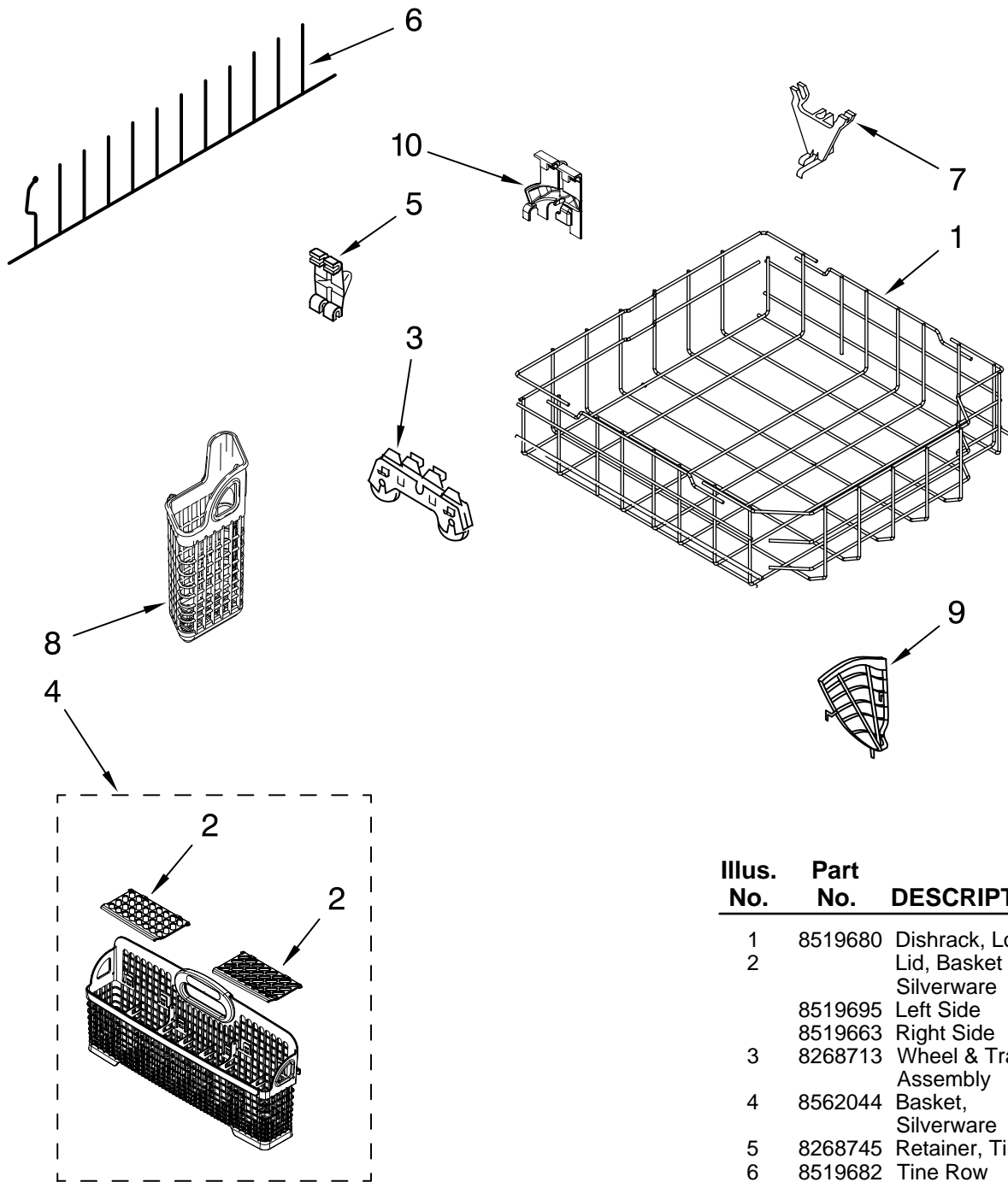


Illus. No.	Part No.	DESCRIPTION
1	W10077859	Feed Tube Assembly (Also Includes Item 3)
2	8533889	Screw
3	8557720	Sprayarm, 3rd Level
4	3400920	Cover, Screw
5	8268354	Mount
6	8268356	Manifold
7	8268349	Hanger
8	8268433	Seal, Sprayarm
9	8268350	Probe, Manifold
10	8535086	Sprayarm
11	W10077600	Manifold, Turbo Zone
12	W10077903	Valve Assembly, Manifold

FOR ORDERING INFORMATION REFER TO PARTS PRICE LIST

# LOWER RACK PARTS

For Models: KUDS03FPA0  
(Panel Ready)



Illus. No.	Part No.	DESCRIPTION
1	8519680	Dishrack, Lower
2		Lid, Basket Silverware
	8519695	Left Side
	8519663	Right Side
3	8268713	Wheel & Transport Assembly
4	8562044	Basket, Silverware
5	8268745	Retainer, Tine Row
6	8519682	Tine Row
7	8268744	Pivot, Tine Row
8	8519702	Basket, Utensil
9	8562069	Holder, Knife
10	W10107150	Retainer, Tine Row Combo

FOR ORDERING INFORMATION REFER TO PARTS PRICE LIST

# OPTIONAL PARTS (NOT INCLUDED)

For Models: KUDS03FTPA0  
(Panel Ready)

Illus. No.	Part No.	DESCRIPTION	Illus. No.	Part No.	DESCRIPTION	Illus. No.	Part No.	DESCRIPTION
<b><u>ACCESSORIES</u></b>			<b><u>PAINT, TOUCH-UP (1/2oz.)</u></b>			<b><u>POWER CORD KIT</u></b>		
	8171656	Side Panel Kits White		72017	White		4317824	Power Cord Kit (Includes Power Cord & Misc. Hardware)
	8171657	Black		72032	Black			
	8171658	Biscuit		4392899	Biscuit			
	8171659	Stainless Steel		4396603	Meteorite			
		Custom Panel & Trim Kit	<b><u>PAINT, PRESSURIZED SPRAY (12 oz.)</u></b>			<b><u>ANTI-TIP KIT</u></b>		
	8212489	Black		350930	White		8171477	Floor Mount Kit
		Towel Bar Handle Kit		285006	Superior Black	<b><u>DISHRACK REPAIR</u></b>		
	8573938	Stainless Steel		4392901	Biscuit		4396838	White
		Drain Hose					4396840	Grey
	3385556	12 Ft.	<b><u>PAINT, BULK (1 qt.)</u></b>				4396854	Silver Atlantis
		Vinyl Touch-Up (4oz.)		799344	White (Uncut)			
	676453	White		4392900	Biscuit			
	676455	Grey						
	4396853	Silver Atlantis						
		Moisture Barrier Kit						
	4396277	Kit						

FOR ORDERING INFORMATION REFER TO PARTS PRICE LIST