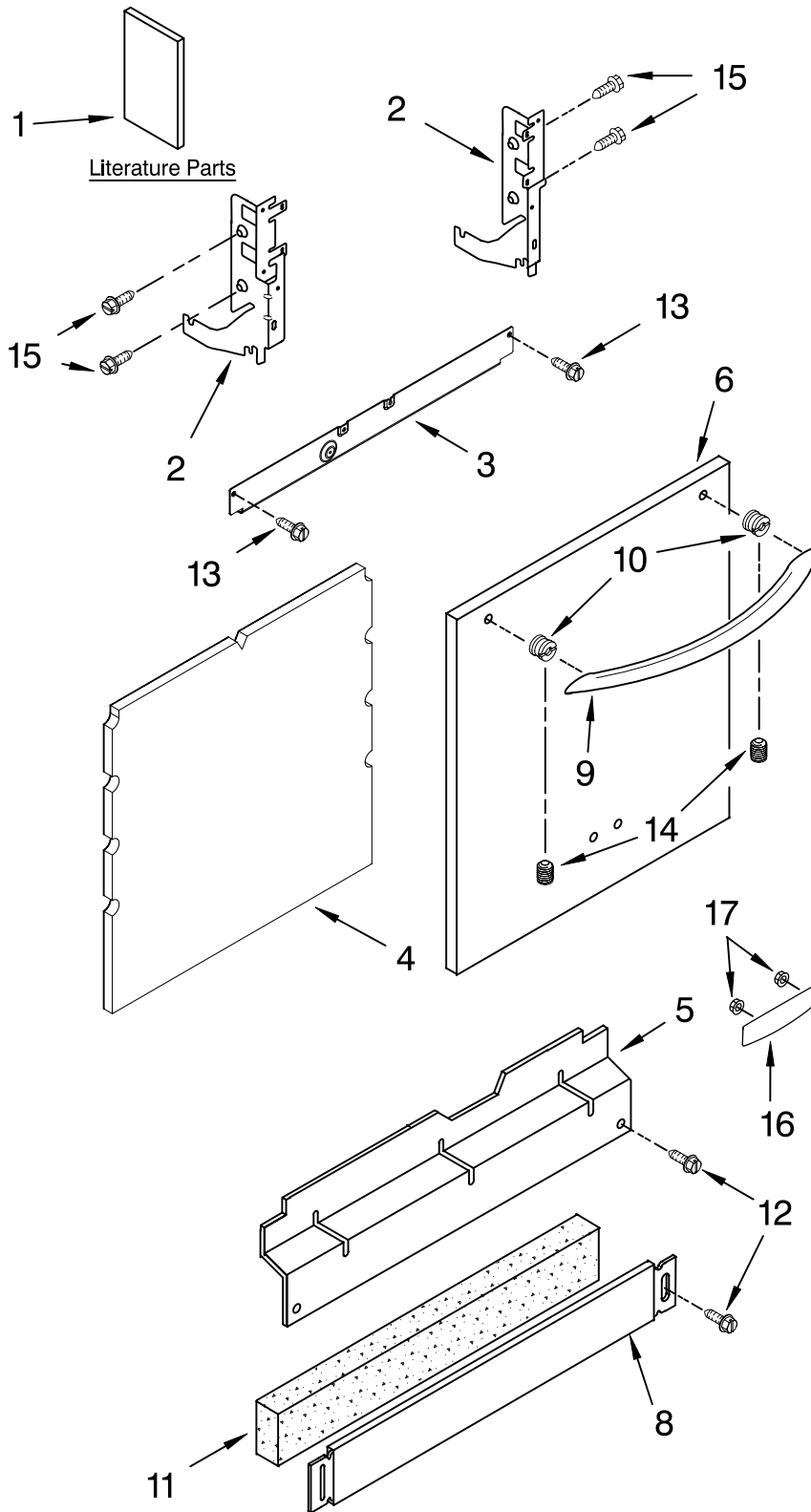


# KitchenAid® DOOR AND PANEL PARTS

For Models: KUDS03FSBL2, KUDS03FSWH2, KUDS03FSBT2, KUDS03FSSS2  
 (Black) (White) (Biscuit) (Stainless)

UNDERCOUNTER  
 DISHWASHER

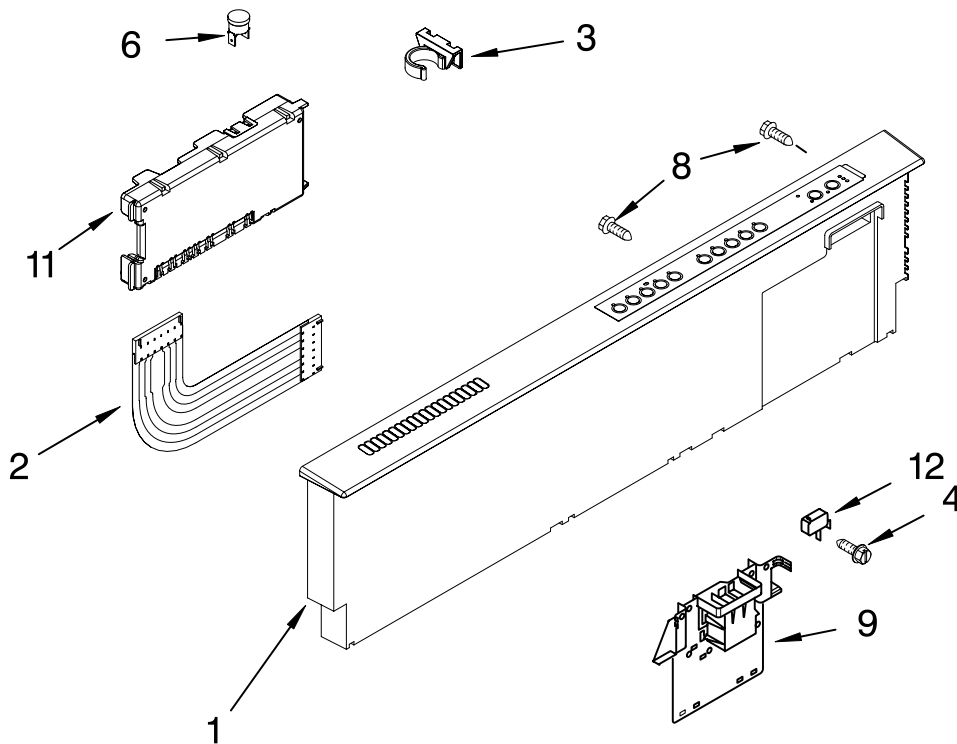


Illus. No.	Part No.	DESCRIPTION
1	8574116	Literature Parts
	W10077760	Instructions, Installation
	8574093	Energy Guide
	8572288	Guide, Use & Care
	8572216	Reference
	8564958	Tech Sheet
	8564958	DVD, Use & Care
2	8534854	Arm, Hinge
	8534854	Left
	8534853	Right
3	8564886	Stiffener, Door
4	8542577	Insulation, Door
5		Access Panel
	8573255	Black
	8573256	White
	8573257	Biscuit
6		Panel, Full Front (Includes Items 16 & 17)
	W10021900	Black
	W10021910	White
	W10021920	Biscuit
	W10021930	Stainless
8		Toe Panel (Includes Item 11)
	8558252	Black
	8558253	White
	8558254	Biscuit
9		Handle
	W10021550	Black
	W10021560	White
	W10021570	Biscuit
	W10021540	Stainless
10	8564951	Stud, Mounting
11	8268581	Insulation, Toe Panel
12	302868	Screw
13	304392	Screw
14	8534008	Screw
15	3400071	Screw (2)
16		Nameplate
	W10021860	Black
	W10021870	White
	W10021880	Biscuit
	W10021850	Stainless
17	2004333	Nut

FOR ORDERING INFORMATION REFER TO PARTS PRICE LIST

# CONTROL PANEL PARTS

For Models: KUDS03FSBL2, KUDS03FSWH2, KUDS03FSBT2, KUDS03FSSS2  
 (Black) (White) (Biscuit) (Stainless)

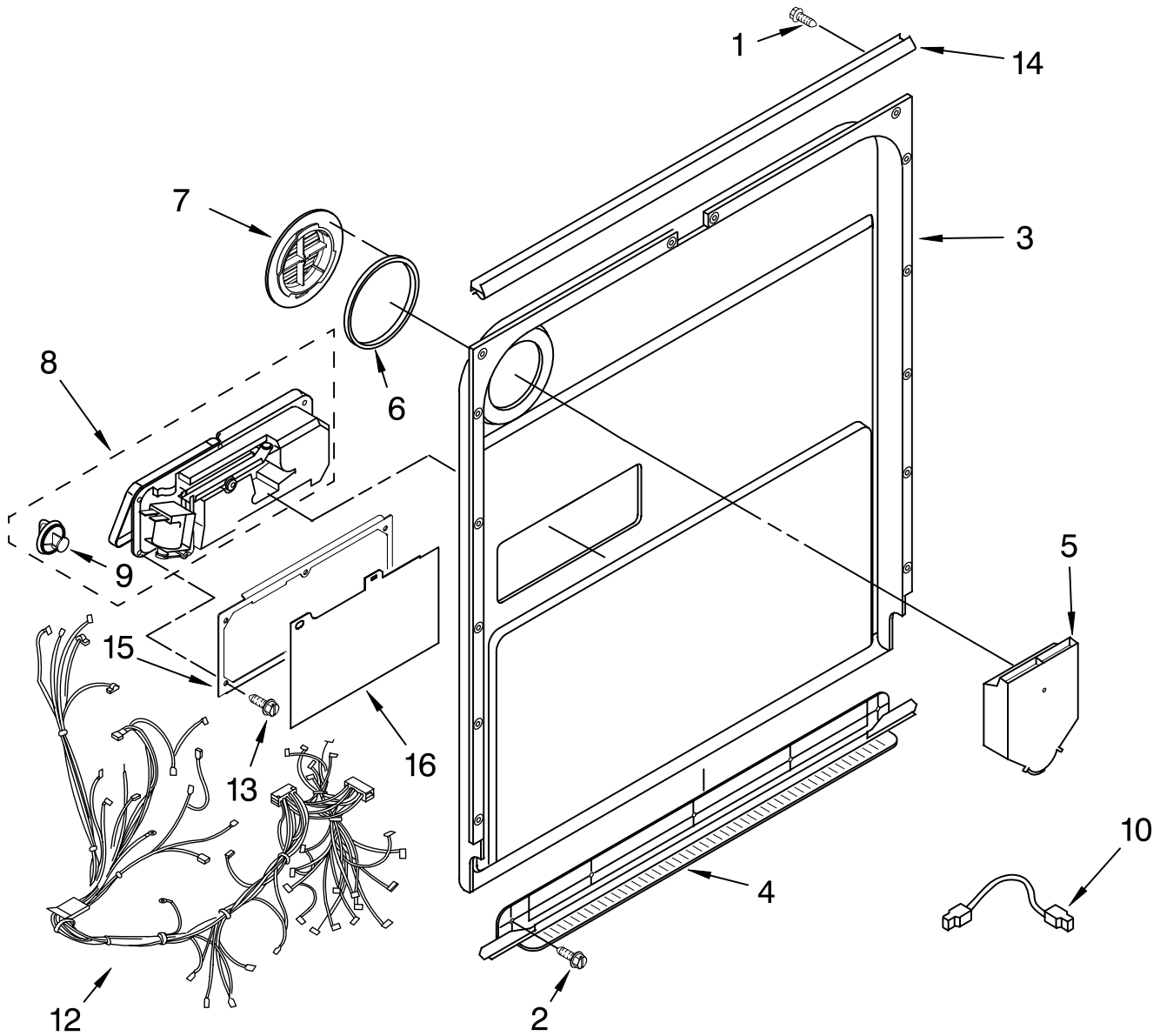


Illus. No.	Part No.	DESCRIPTION
1		Console Assembly (Includes Insert)
	W10081100	Black
	W10081110	White
	W10081160	Biscuit
	W10081120	Stainless
2	8564960	Cable, Ribbon
3	8546546	Clip, BI-Metal
4	3400412	Screw
6	661663	Fuse, Thermal Electronic
8	3369051	Screw (6)
9	8270175	Latch Assembly
11	8562996	Control, Electronic
12	8269209	Switch, Door

FOR ORDERING INFORMATION REFER TO PARTS PRICE LIST

# DOOR AND LATCH PARTS

For Models: KUDS03FSBL2, KUDS03FSWH2, KUDS03FSBT2, KUDS03FSSS2  
 (Black) (White) (Biscuit) (Stainless)



Illus. No.	Part No.	DESCRIPTION
1	3369051	Screw, Door
2	8281217	Screw
3	8530900	Inner Door Mastic Assembly (Also Order Item 6)
4	8268937	Inlet, Air
5	8572611	Vent Assembly (Also Order Item 6)

Illus. No.	Part No.	DESCRIPTION
6	8269259	Gasket, Vent
7	8545536	Deflector, Vent (Also Order Item 6)
8	8564772	Dispenser, Assembly
9	8564929	Knob, Rinse Aid
10	8545608	Harness, Vent Motor

Illus. No.	Part No.	DESCRIPTION
12	8573177	Wiring Harness
13	8281154	Screw (6)
14	8535660	Seal, Console/door
15	8535637	Bracket, Dispenser
16	8531865	Shield, Dispenser

FOR ORDERING INFORMATION REFER TO PARTS PRICE LIST

# LOWER WASHARM AND STRAINER PARTS

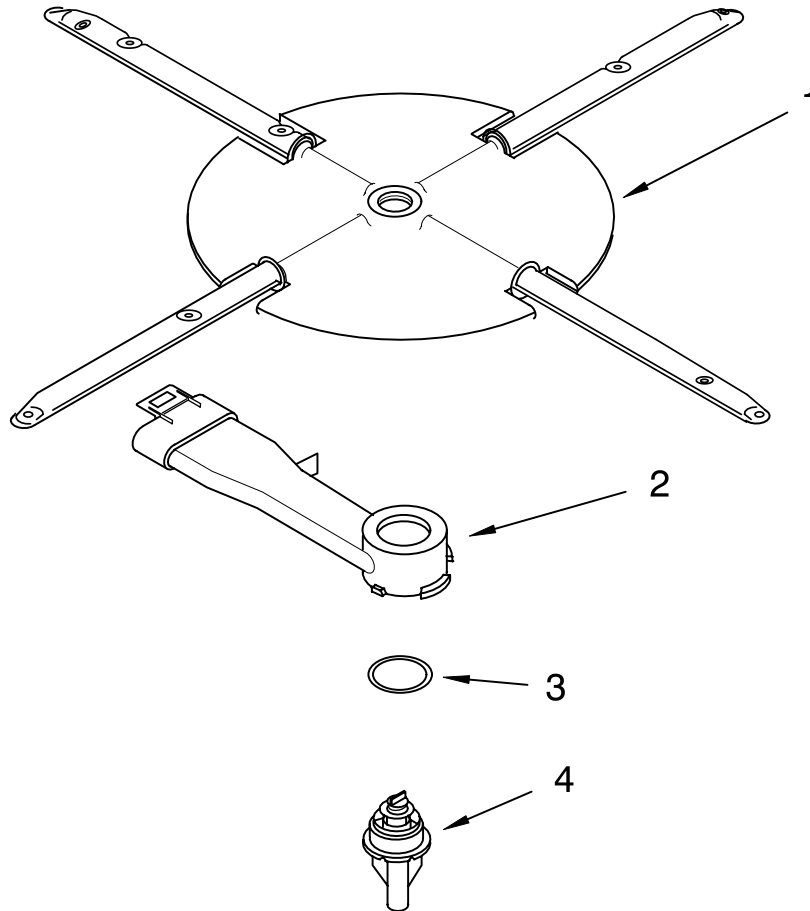
For Models: KUDS03FSBL2, KUDS03FSWH2, KUDS03FSBT2, KUDS03FSSS2

(Black)

(White)

(Biscuit)

(Stainless)

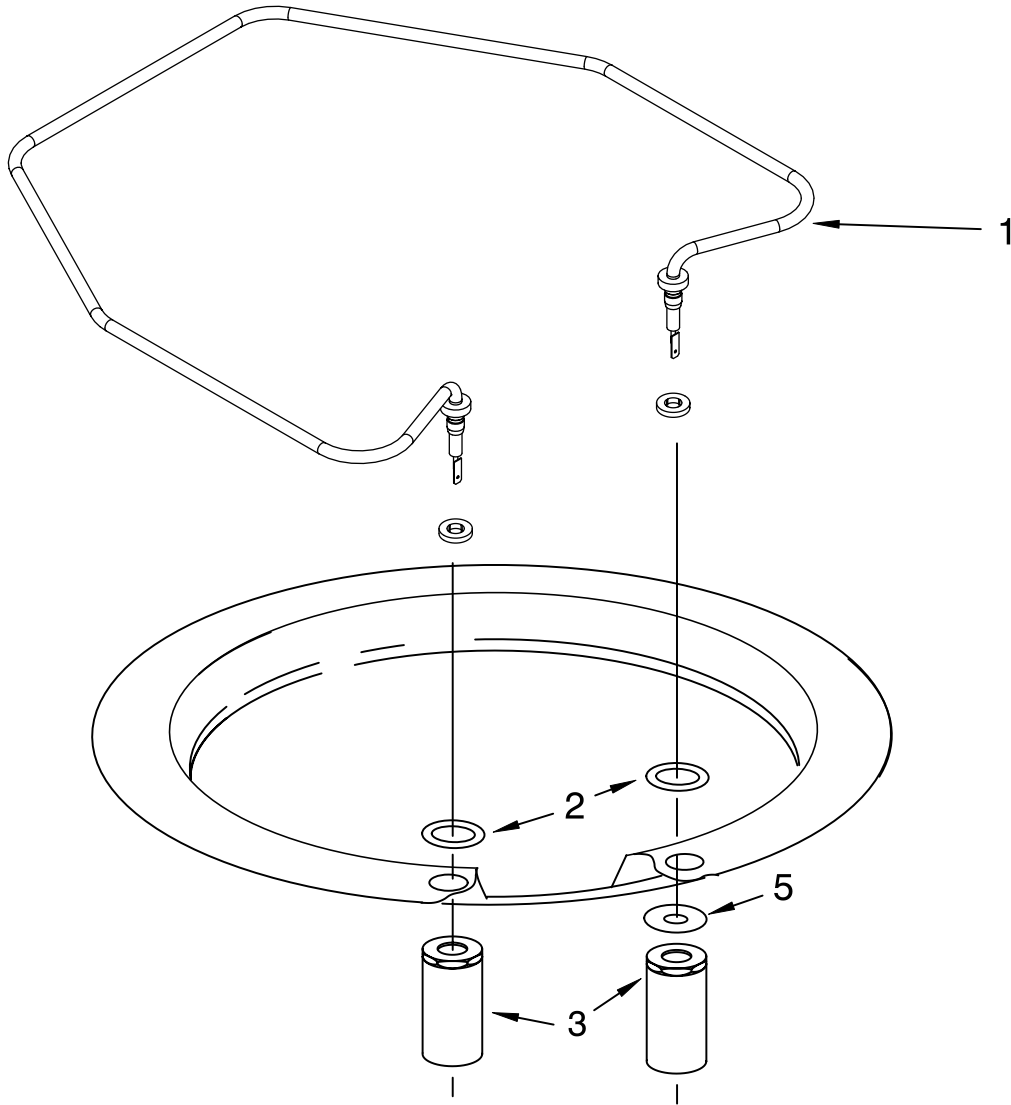


<u>Illus. No.</u>	<u>Part No.</u>	<u>DESCRIPTION</u>
1	8572307	Wash Arm Assembly
2	8268343	Cap, Internal Rear Feed (Also Order Item 3)
3	8268340	Seal, Sprayarm
4	8268342	Hub, Lower Sprayarm (Also Order Item 3)

FOR ORDERING INFORMATION REFER TO PARTS PRICE LIST

# HEATER PARTS

For Models: KUDS03FSBL2, KUDS03FSWH2, KUDS03FSBT2, KUDS03FSSS2  
 (Black) (White) (Biscuit) (Stainless)



Illus. No.	Part No.	DESCRIPTION
1	8537057	Heater Element Assembly (Also Includes Item 2)
2	717273	Washer, Heater Element
3	8268548	Nut, Heater Element
5	3400931	Retainer, Spring Grip

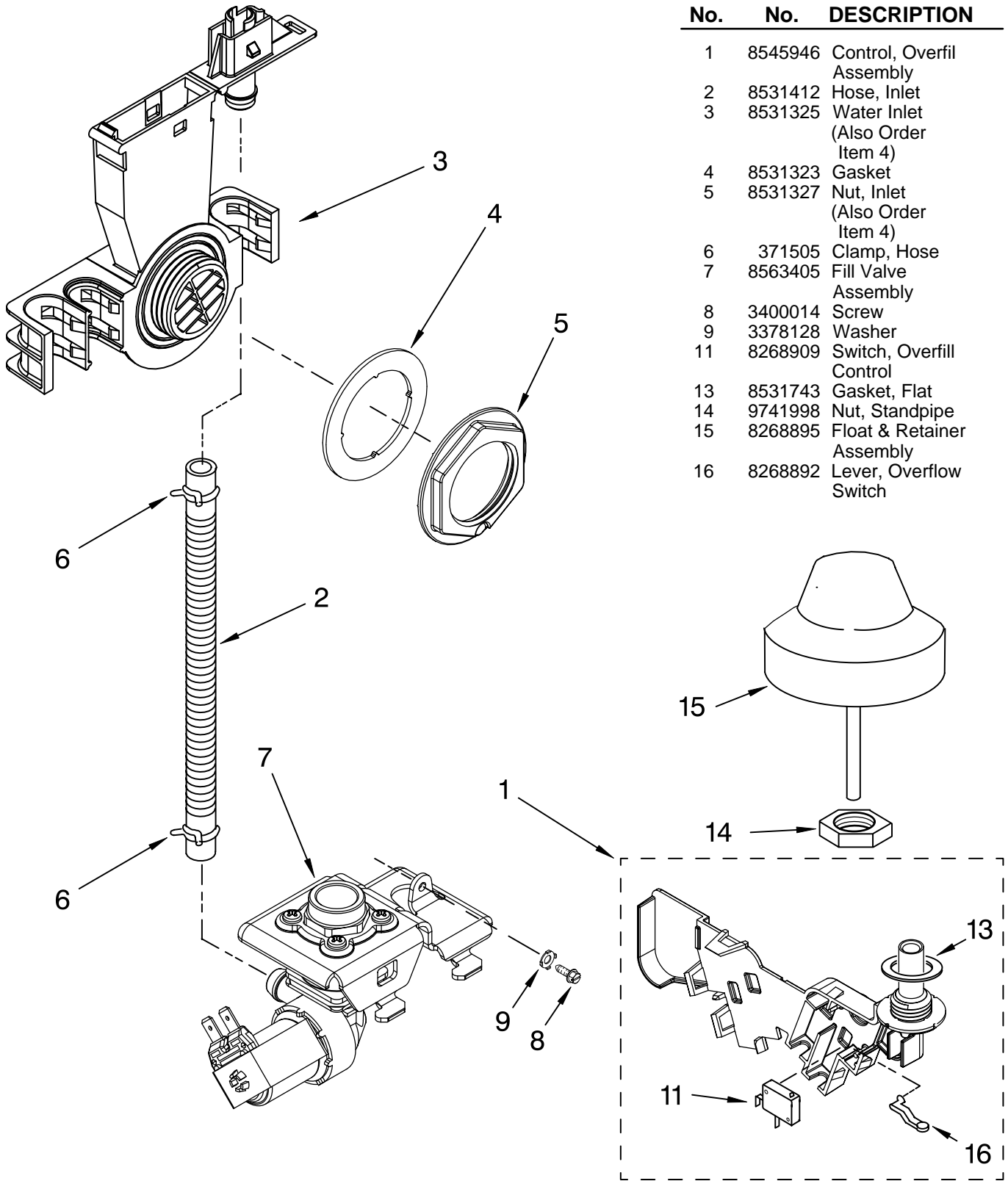
**NOTE:** If heater element is removed, it must be replaced.

FOR ORDERING INFORMATION REFER TO PARTS PRICE LIST

# FILL AND OVERFILL PARTS

For Models: KUDS03FSBL2, KUDS03FSWH2, KUDS03FSBT2, KUDS03FSSS2  
 (Black) (White) (Biscuit) (Stainless)

Illus. No.	Part No.	DESCRIPTION
1	8545946	Control, Overfil Assembly
2	8531412	Hose, Inlet
3	8531325	Water Inlet (Also Order Item 4)
4	8531323	Gasket
5	8531327	Nut, Inlet (Also Order Item 4)
6	371505	Clamp, Hose
7	8563405	Fill Valve Assembly
8	3400014	Screw
9	3378128	Washer
11	8268909	Switch, Overfill Control
13	8531743	Gasket, Flat
14	9741998	Nut, Standpipe
15	8268895	Float & Retainer Assembly
16	8268892	Lever, Overflow Switch



FOR ORDERING INFORMATION REFER TO PARTS PRICE LIST

# TUB AND FRAME PARTS

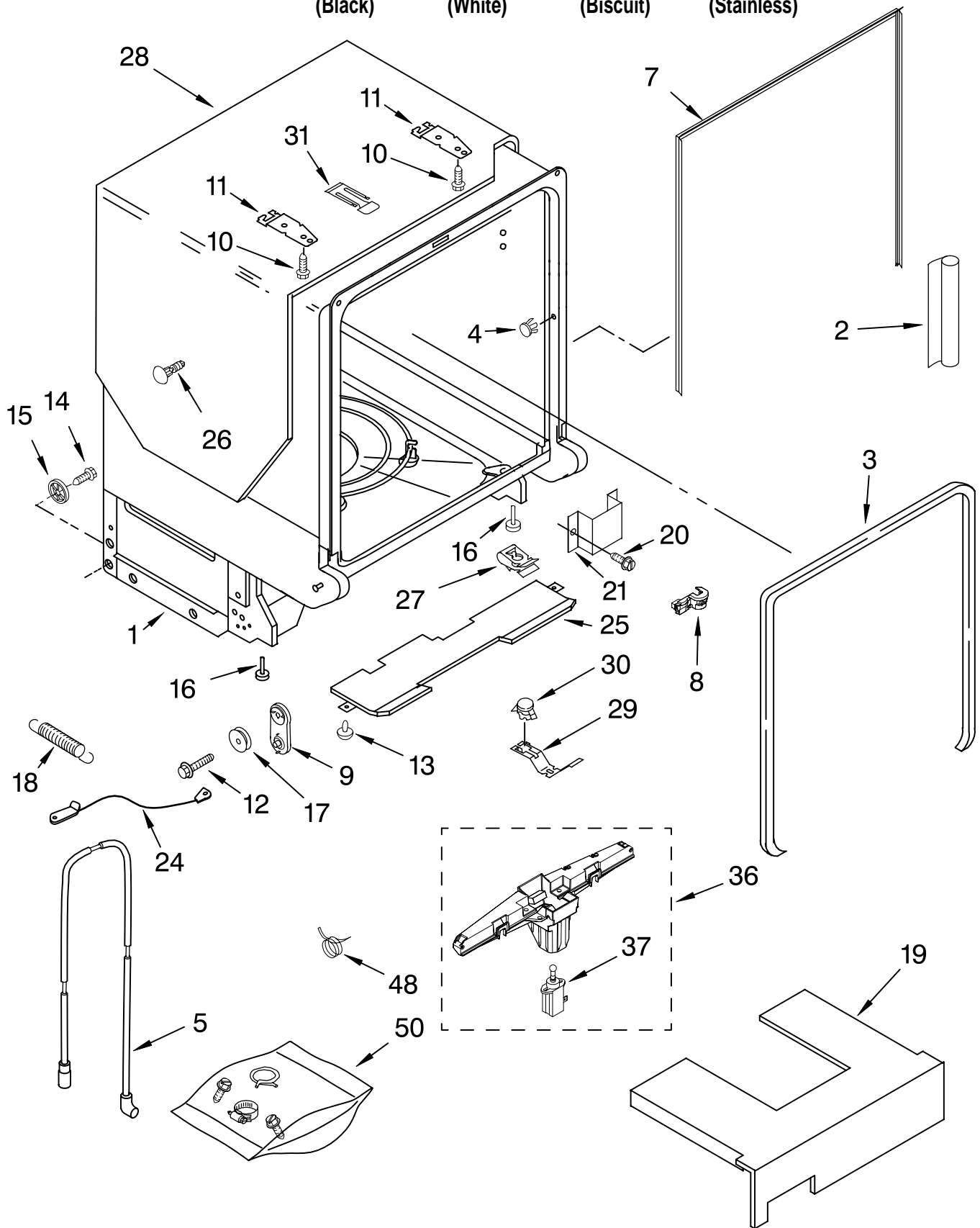
For Models: KUDS03FSBL2, KUDS03FSWH2, KUDS03FSBT2, KUDS03FSSS2

(Black)

(White)

(Biscuit)

(Stainless)



FOR ORDERING INFORMATION REFER TO PARTS PRICE LIST

# TUB AND FRAME PARTS

For Models: KUDS03FSBL2, KUDS03FSWH2, KUDS03FSBT2, KUDS03FSSS2

(Black) (White) (Biscuit) (Stainless)

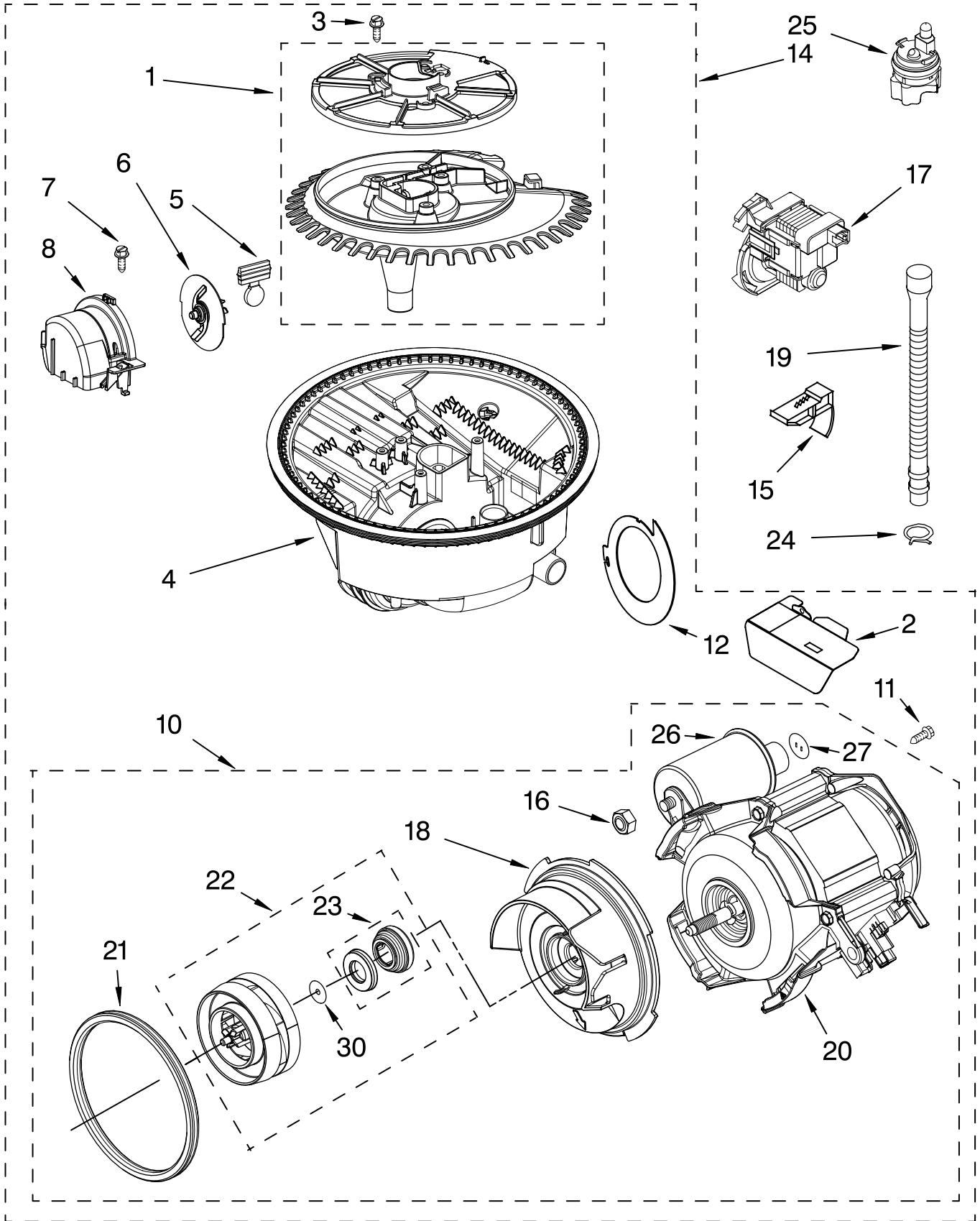
Illus. No.	Part No.	DESCRIPTION
1	W10053130	Tub Assembly
2	8574123	Barrier, Moisture Undercounter
3	8531629	Door Seal
4	8270119	Plug Tub (2)
5	8531022	Drain Loop With Check Valve
7	8269110	Seal, Cabinet
8	8573061	Strain Relief
9	8270021	Mount, Door Balance
10	3367670	Screw
11	8269145	Bracket, Undercounter
12	3400074	Screw (2)
13	3400924	Retainer, Push-in
14	3370389	Screw (2)
15	8268977	Wheel Leg
16	8524584	Leveler, Leg
17	8524474	Wheel, door Balance
18	8270182	Spring, Door Balance
19	8545574	Absorber, Sound
20	3400892	Screw
21	8268991	Cover, Terminal Box
24	8535568	Link, Door Balance
25	8268587	Insulator, Sound
26	304666	Retainer, Push (2)
27	8269016	Clip, Grounding
28	8573239	Shield, Sound Tub
29	9742648	Bracket, Thermostat
30	661566	Thermostat
31	8574157	Strike, Latch
36	8572661	Actuator Assembly
37	8559844	Motor, Wax
48	356138	Clamp, Hose (1)
50	8269297	Miscellaneous Parts Bag (Includes 2 Screws & 2 Hose Clamps)

FOR ORDERING INFORMATION REFER TO PARTS PRICE LIST



# PUMP AND MOTOR PARTS

For Models: KUDS03FSBL2, KUDS03FSWH2, KUDS03FSBT2, KUDS03FSSS2  
 (Black) (White) (Biscuit) (Stainless)



FOR ORDERING INFORMATION REFER TO PARTS PRICE LIST

# PUMP AND MOTOR PARTS

For Models: KUDS03FSBL2, KUDS03FSWH2, KUDS03FSBT2, KUDS03FSSS2

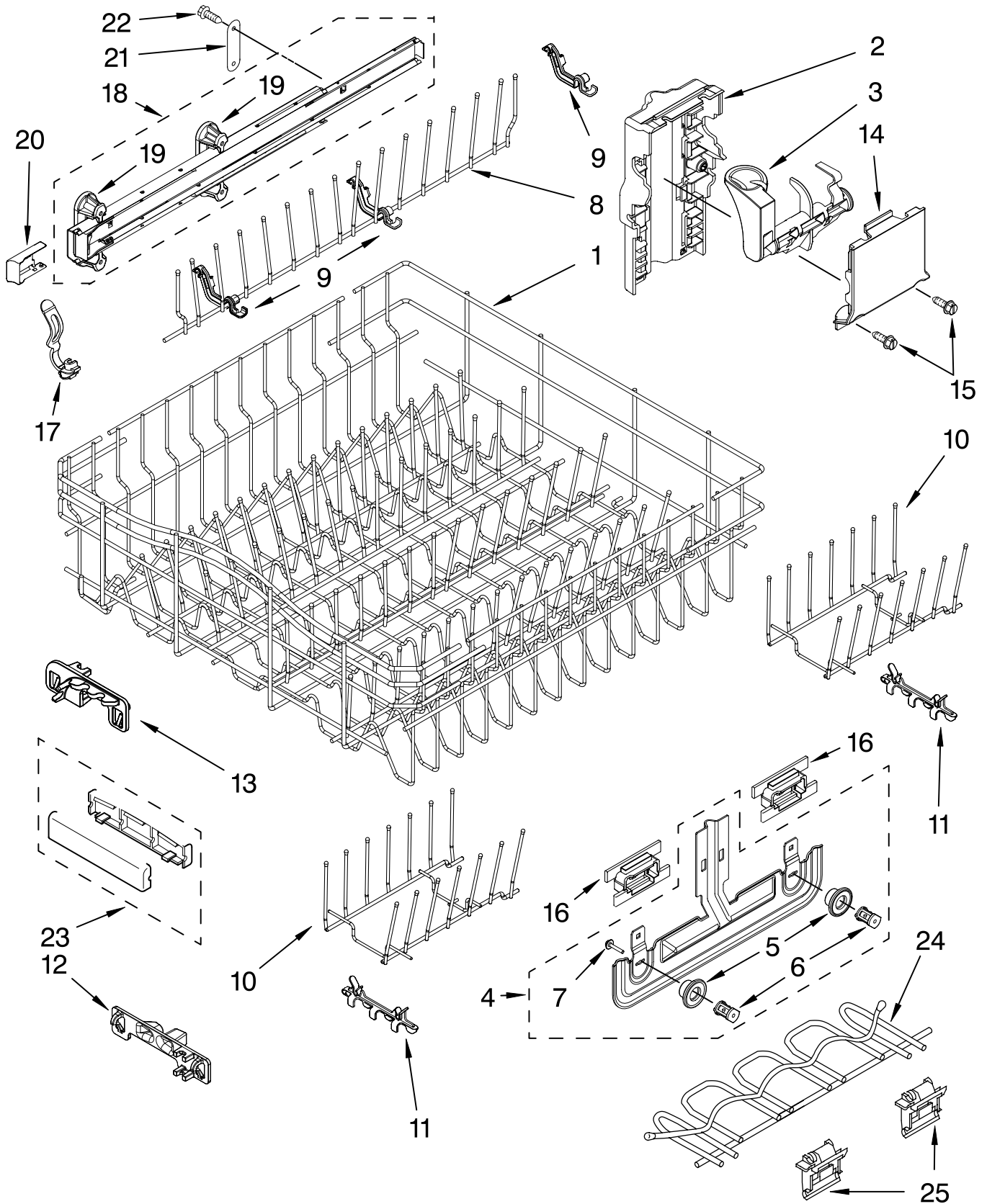
(Black)                      (White)                      (Biscuit)                      (Stainless)

Illus. No.	Part No.	DESCRIPTION
1	8534952	Accumulator Assy
2	8283527	Shield, Motor
3	3400069	Screw
4	8572618	Sump With Seal
5	8268375	Check Valve, Sump
6	8268383	Chopper Assembly
7	9741232	Screw
8	8531857	Protector, Inlet
10	8535760	Motor Assembly
11	3400217	Screw
12	8268391	Screen, Separation
14	8572617	Sump & Motor Assembly (Includes Item 15)
15	8269524	Tab, Sump
16	8533949	Nut
17	661662	Pump, Drain
18	8531019	Volute, Back (Also Order Items 23 & 30)
19	8269144	Hose, Drain
20	8535759	Motor
21	8268397	Seal, Volute
22	8531017	Impeller Kit
23	8268403	Face Seal Assembly (Also Order Item 30)
24	356138	Clamp, Hose
25	W10055980	Optical Water Indicator
26	8535474	Capacitor
27	8534946	Shield, Capacitor
30	8531018	Washer

FOR ORDERING INFORMATION REFER TO PARTS PRICE LIST

# UPPER RACK AND TRACK PARTS

For Models: KUDS03FSBL2, KUDS03FSWH2, KUDS03FSBT2, KUDS03FSSS2  
(Black) (White) (Biscuit) (Stainless)



FOR ORDERING INFORMATION REFER TO PARTS PRICE LIST

# UPPER RACK AND TRACK PARTS

For Models: KUDS03FSBL2, KUDS03FSWH2, KUDS03FSBT2, KUDS03FSSS2

(Black) (White) (Biscuit) (Stainless)

Illus. No.	Part No.	DESCRIPTION
1	8561731	Dishrack, Upper
2	8531344	Housing, Adjuster
3		Actuator, Adjuster
	8531310	Right Hand
	8531309	Left Hand
4	8268653	Adjuster Assembly
5	8270138	Wheel
6	8268703	Axel, Adjuster
7	8281156	Screw
8	8562030	Tine Row
9	8539190	Clip, Pivot
10	8539149	Insert, Fold Down Tines
11	8539148	Clip, Insert Tines
12	8539102	Positioner, Dual
13	8539103	Positioner, Multi
14	8531346	Cover, Adjuster
15	9741232	Retainer
16	8268738	Positioner, Arm
17	8539101	Clip, No-Flip
18		Track, Assembly
	8564924	Right Hand
	8564923	Left Hand (Also Order Item 21)
19	8270137	Mount, Track (Also Order Item 21)
20		Stop, Track
	8573954	Right
	8573953	Left
21	9743002	Gasket, Bracket Mounting
22	3400072	Screw (8)
23	8539110	Handle, Dishrack
24	8562029	Cupshelf
25	8562026	Clip, Cupshelf

# THIRD LEVEL RACK AND TRACK PARTS

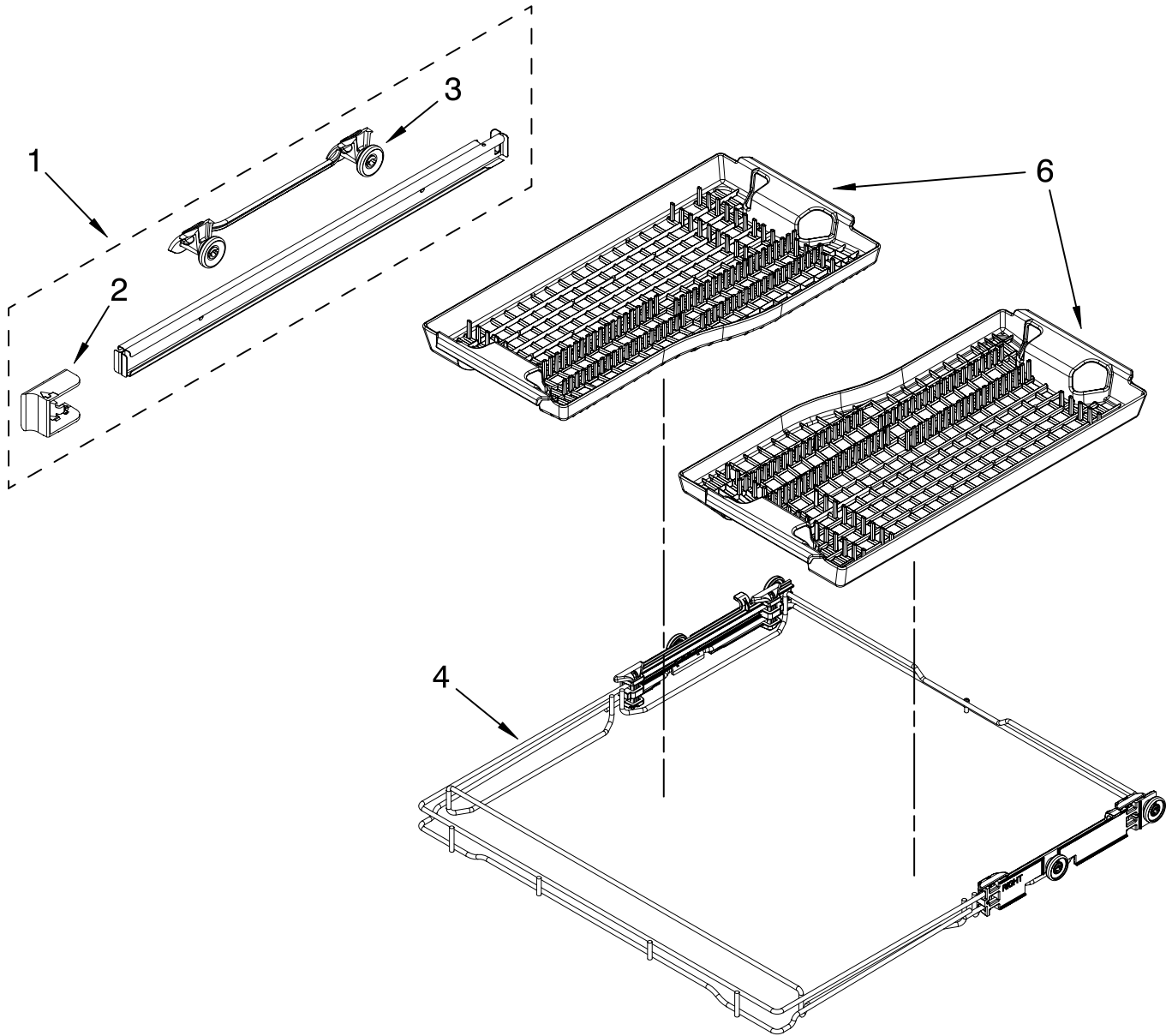
For Models: KUDS03FSBL2, KUDS03FSWH2, KUDS03FSBT2, KUDS03FSSS2

(Black)

(White)

(Biscuit)

(Stainless)



Illus. No.	Part No.	DESCRIPTION
1	8572329 Right 8572330 Left	Track Assembly
2	8564852	Stop, Track
3	8564899	Mount, Track
4	8564900	Rack Assembly (Third Level)
6	8564901	Basket- TLR

FOR ORDERING INFORMATION REFER TO PARTS PRICE LIST

# UPPER WASH AND RINSE PARTS

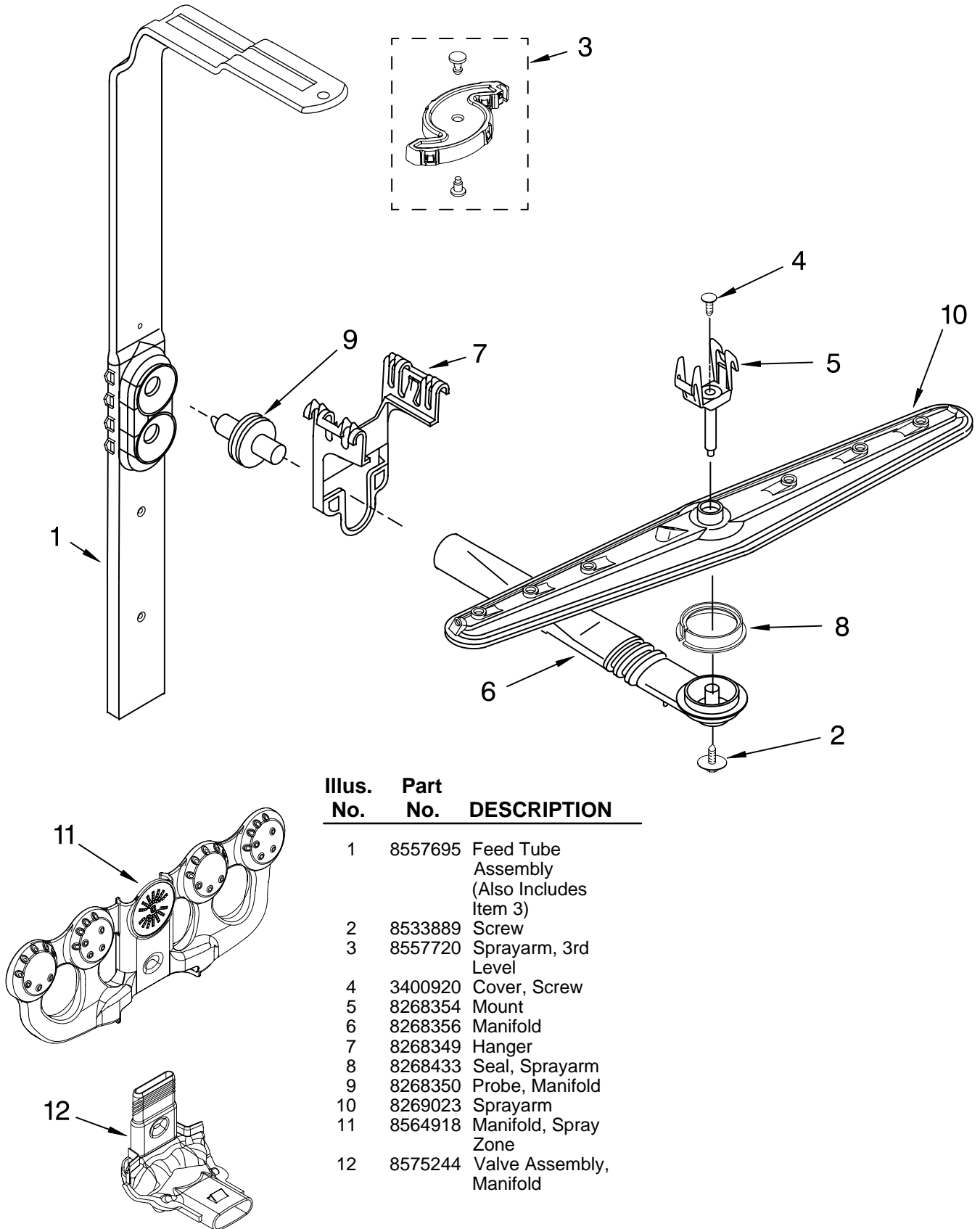
For Models: KUDS03FSBL2, KUDS03FSWH2, KUDS03FSBT2, KUDS03FSSS2

(Black)

(White)

(Biscuit)

(Stainless)

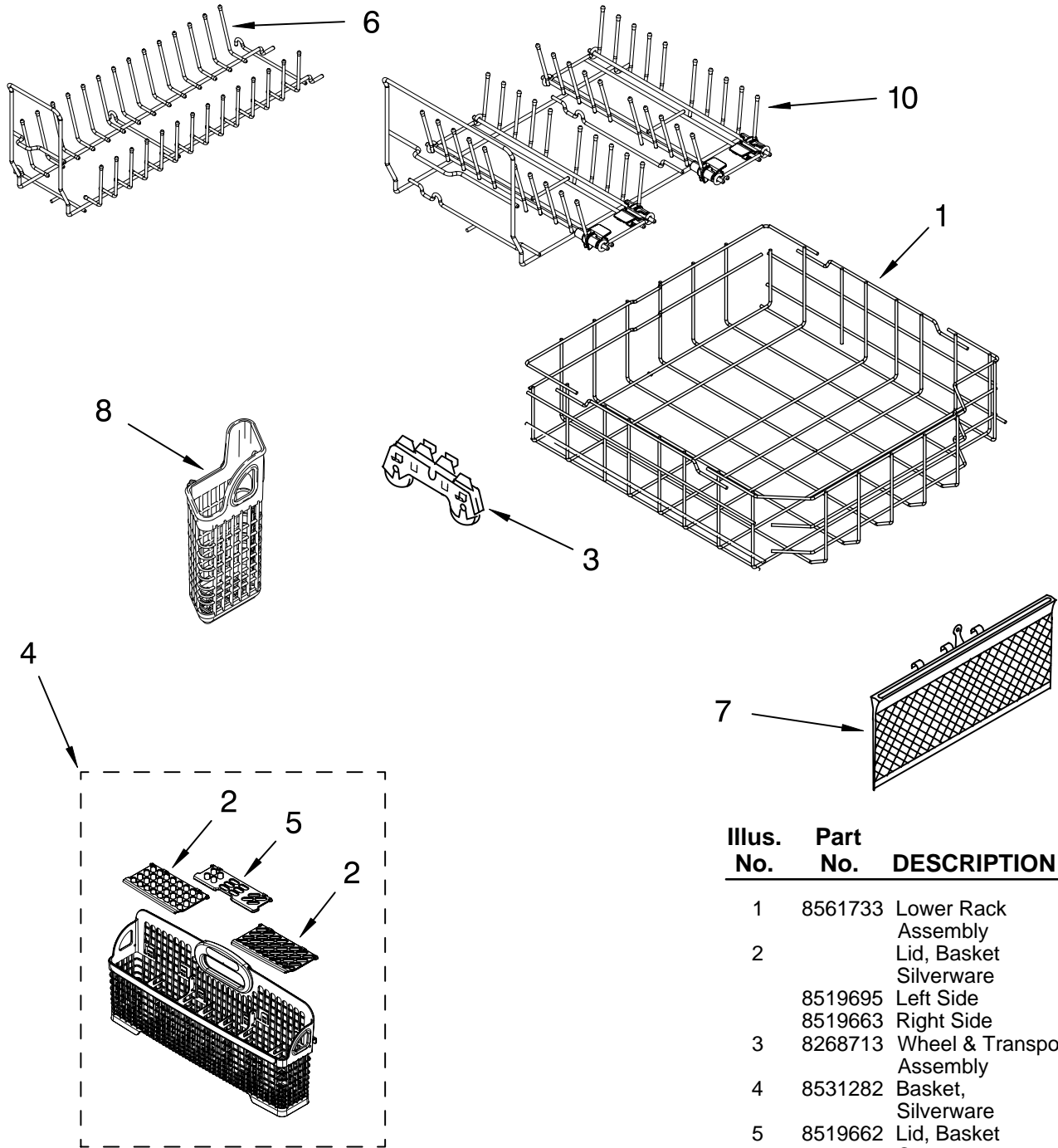


Illus. No.	Part No.	DESCRIPTION
1	8557695	Feed Tube Assembly (Also Includes Item 3)
2	8533889	Screw
3	8557720	Sprayarm, 3rd Level
4	3400920	Cover, Screw
5	8268354	Mount
6	8268356	Manifold
7	8268349	Hanger
8	8268433	Seal, Sprayarm
9	8268350	Probe, Manifold
10	8269023	Sprayarm
11	8564918	Manifold, Spray Zone
12	8575244	Valve Assembly, Manifold

FOR ORDERING INFORMATION REFER TO PARTS PRICE LIST

# LOWER RACK PARTS

For Models: KUDS03FSBL2, KUDS03FSWH2, KUDS03FSBT2, KUDS03FSSS2  
 (Black) (White) (Biscuit) (Stainless)



Illus. No.	Part No.	DESCRIPTION
1	8561733	Lower Rack Assembly
2		Lid, Basket Silverware
	8519695	Left Side
	8519663	Right Side
3	8268713	Wheel & Transport Assembly
4	8531282	Basket, Silverware
5	8519662	Lid, Basket Center
6	8562013	Insert, Large
7	8519716	Basket—Small Items
8	8519702	Basket, Utensil
10	8562012	Insert, Double

FOR ORDERING INFORMATION REFER TO PARTS PRICE LIST

# OPTIONAL PARTS (NOT INCLUDED)

For Models: KUDS03FSBL2, KUDS03FSWH2, KUDS03FSBT2, KUDS03FSSS2

(Black)                      (White)                      (Biscuit)                      (Stainless)

Illus. Part No. No. DESCRIPTION	Illus. Part No. No. DESCRIPTION	Illus. Part No. No. DESCRIPTION
<b><u>ACCESSORIES</u></b>		
Side Panel Kits		
8171656 White		
8171657 Black		
8171658 Biscuit		
8171659 Stainless Steel		
Custom Panel & Trim Kit		
8212489 Black		
Towel Bar Handle Kit		
8573938 Stainless Steel		
Drain Hose		
3385556 12 Ft.		
Vinyl Touch-Up (4oz.)		
676453 White		
676455 Grey		
4396853 Silver Atlantis		
Moisture Barrier Kit		
4396277 Kit		
	<b><u>PAINT, TOUCH-UP (1/2oz.)</u></b>	
	72017 White	
	72032 Black	
	4392899 Biscuit	
	4396603 Meteorite	
	<b><u>PAINT, PRESSURIZED SPRAY (12 oz.)</u></b>	
	350930 White	
	285006 Superior Black	
	4392901 Biscuit	
	<b><u>PAINT, BULK (1 qt.)</u></b>	
	799344 White (Uncut)	
	4392900 Biscuit	
	<b><u>POWER CORD KIT</u></b>	
	4317824 Power Cord Kit	
	(Includes Power	
	Cord & Misc.	
	Hardware)	
	<b><u>ANTI-TIP KIT</u></b>	
	8171477 Floor Mount Kit	
	<b><u>DISHRACK REPAIR</u></b>	
	4396838 White	
	4396840 Grey	
	4396854 Silver Atlantis	

FOR ORDERING INFORMATION REFER TO PARTS PRICE LIST