

# KitchenAid® DOOR AND PANEL PARTS

For Models: KUDS03FSBL3, KUDS03FSWH3, KUDS03FSBT3, KUDS03FSSS3

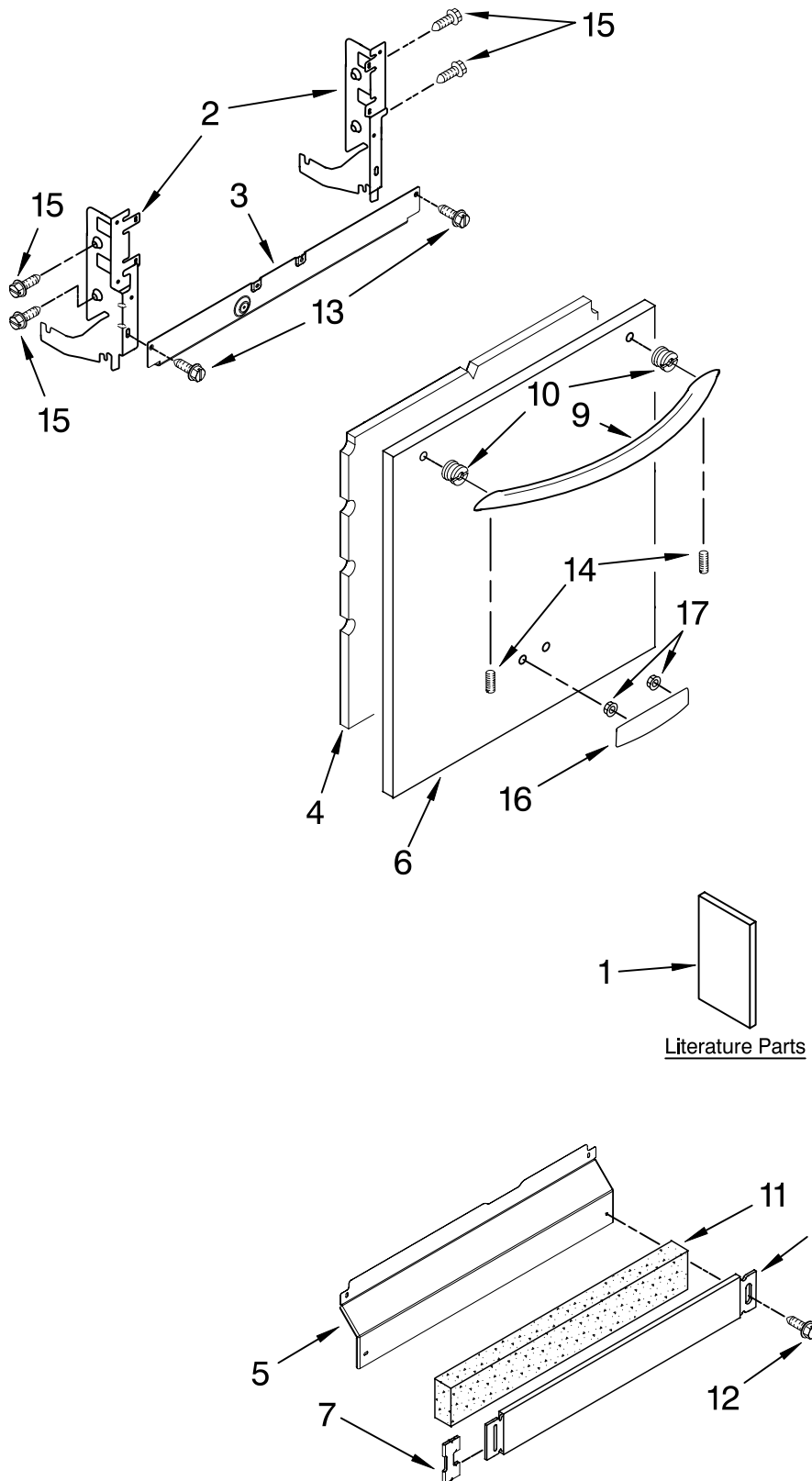
(Black)

(White)

(Biscuit)

(Stainless)

UNDERCOUNTER  
DISHWASHER

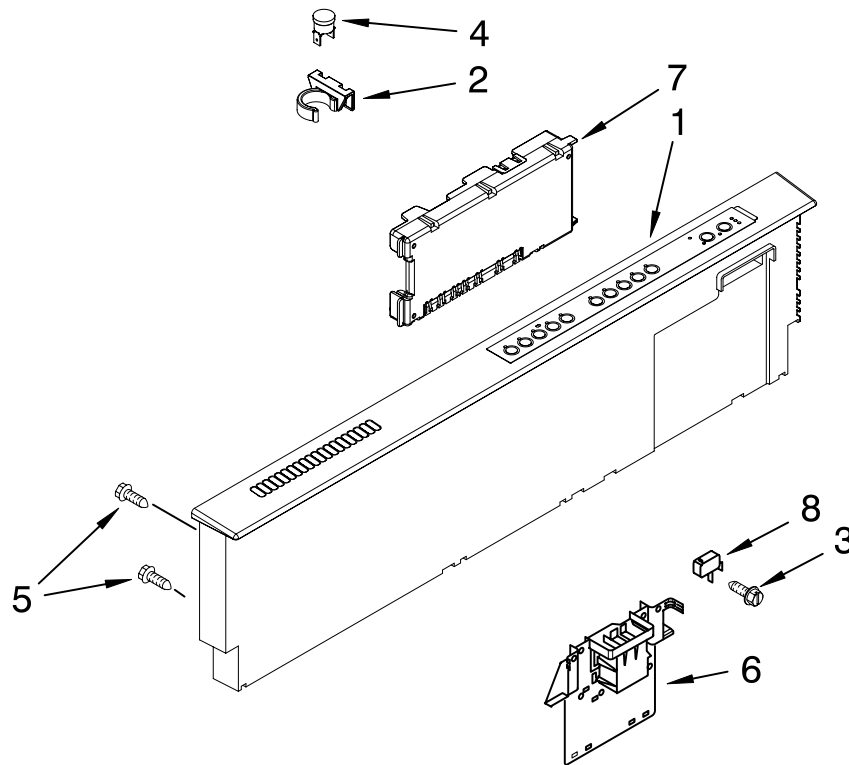


Illus. No.	Part No.	DESCRIPTION
1	8574116	Literature Parts
	W10102692	Instructions, Installation
	8574093	Energy Guide
	W10077956	Guide, Use & Care
	W10082651	Guide, Consumer Reference
	W10082651	Tech Sheet
2	8534854	Arm, Hinge
	8534853	Left
	8534853	Right
3	8564886	Stiffener, Door
4	8542577	Insulation, Door
5		Access Panel
	8573255	Black
	8573256	White
	8573257	Biscuit
6		Panel, Full Front (Includes Items 4, 10, 16 & 17)
	W10021900	Black
	W10021910	White
	W10021920	Biscuit
	W10021930	Stainless
7	8269016	Clip, Ground
8		Toe Panel (Includes Items 7 & 11)
	8558252	Black
	8558253	White
	8558254	Biscuit
9		Handle (Includes Item 14)
	W10083936	Black
	W10083937	White
	W10083938	Biscuit
	W10083935	Stainless
10	8564951	Stud, Mounting
11	W10073550	Insulation, Toe Panel
12		Screw
	302868	Black
	3400836	White
	3400865	Biscuit
13	304392	Screw
14	8534008	Screw
15	3400071	Screw
16		Nameplate
	W10021860	Black
	W10021870	White
	W10021880	Biscuit
	W10021850	Stainless
17	2004333	Nut

FOR ORDERING INFORMATION REFER TO PARTS PRICE LIST

# CONTROL PANEL PARTS

For Models: KUDS03FSBL3, KUDS03FSWH3, KUDS03FSBT3, KUDS03FSSS3  
 (Black) (White) (Biscuit) (Stainless)

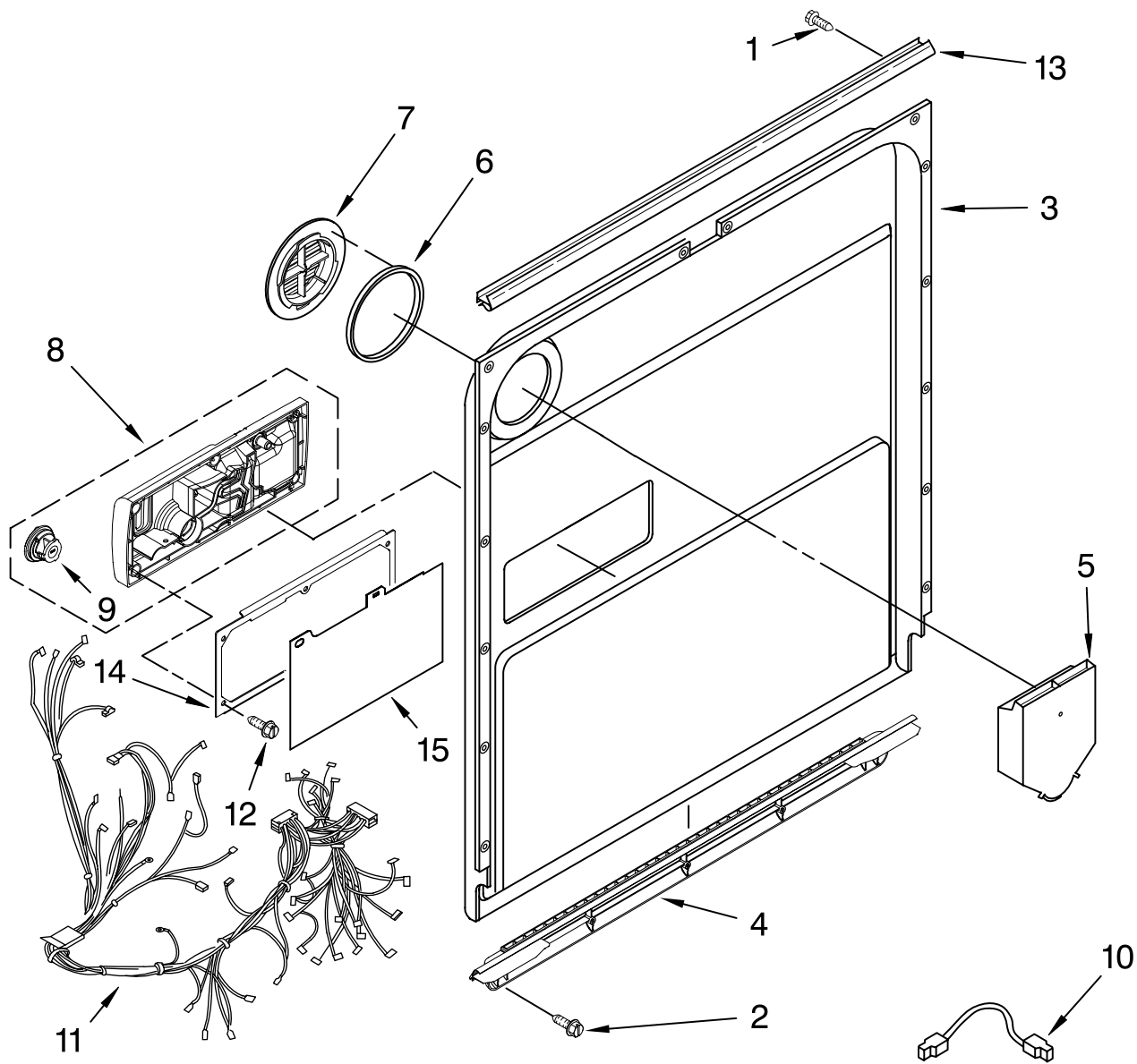


Illus. No.	Part No.	DESCRIPTION
1		Console Assembly (Includes Insert) W10083825 Black W10083826 White W10083833 Biscuit W10083827 Stainless
2	8546546	Clip, BI-Metal
3	3400412	Screw
4	661663	BI-Metal
5	3369051	Screw (6)
6	W10077984	Latch Assembly
7	8575276	Control, Electronic
8	8269209	Switch, Door

FOR ORDERING INFORMATION REFER TO PARTS PRICE LIST

# DOOR AND LATCH PARTS

For Models: KUDS03FSBL3, KUDS03FSWH3, KUDS03FSBT3, KUDS03FSSS3  
 (Black) (White) (Biscuit) (Stainless)



Illus. No.	Part No.	DESCRIPTION
1	3369051	Screw, Door
2	8281217	Screw
3	8530900	Inner Door Mastic Assembly (Also Order Item 6)
4	W10077883	Inlet, Air
5	8572611	Vent Assembly (Also Order Item 6)

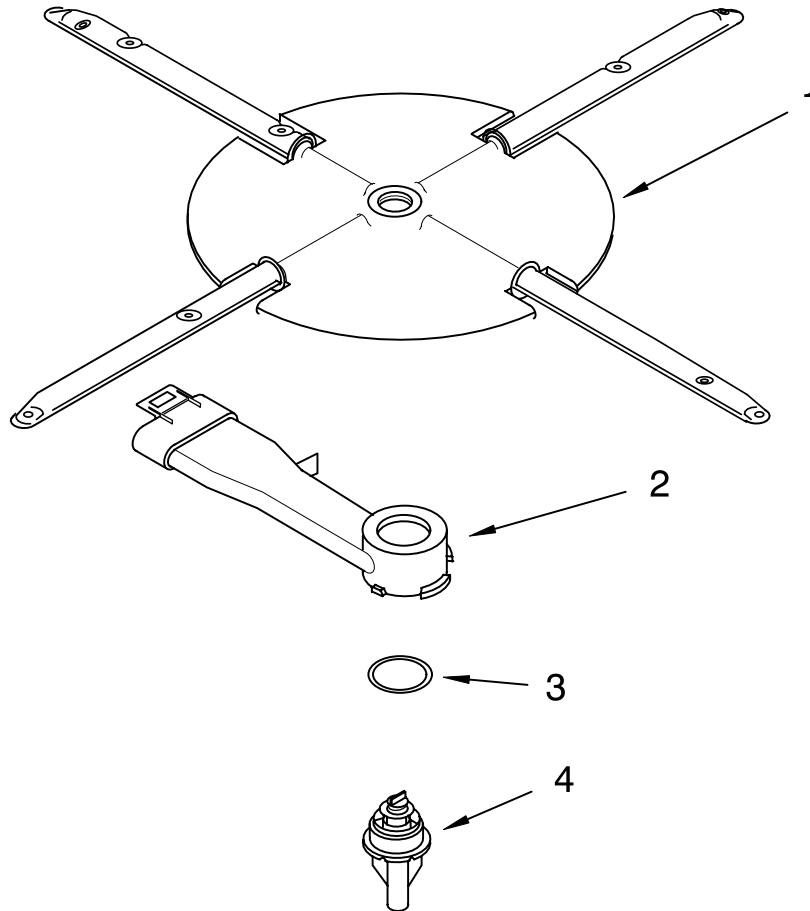
Illus. No.	Part No.	DESCRIPTION
6	8269259	Gasket, Vent
7	W10077877	Deflector, Vent (Also Order Item 6)
8	W10077882	Dispenser, Assembly
9	W10077881	Knob, Rinse Aid
10	8545608	Harness, Vent Motor

Illus. No.	Part No.	DESCRIPTION
11	W10071150	Wiring Harness
12	8281154	Screw (6)
13	8535660	Seal, Console/door
14	8535637	Bracket, Dispenser
15	8531865	Shield, Dispenser

FOR ORDERING INFORMATION REFER TO PARTS PRICE LIST

# LOWER WASHARM AND STRAINER PARTS

For Models: KUDS03FSBL3, KUDS03FSWH3, KUDS03FSBT3, KUDS03FSSS3  
(Black) (White) (Biscuit) (Stainless)

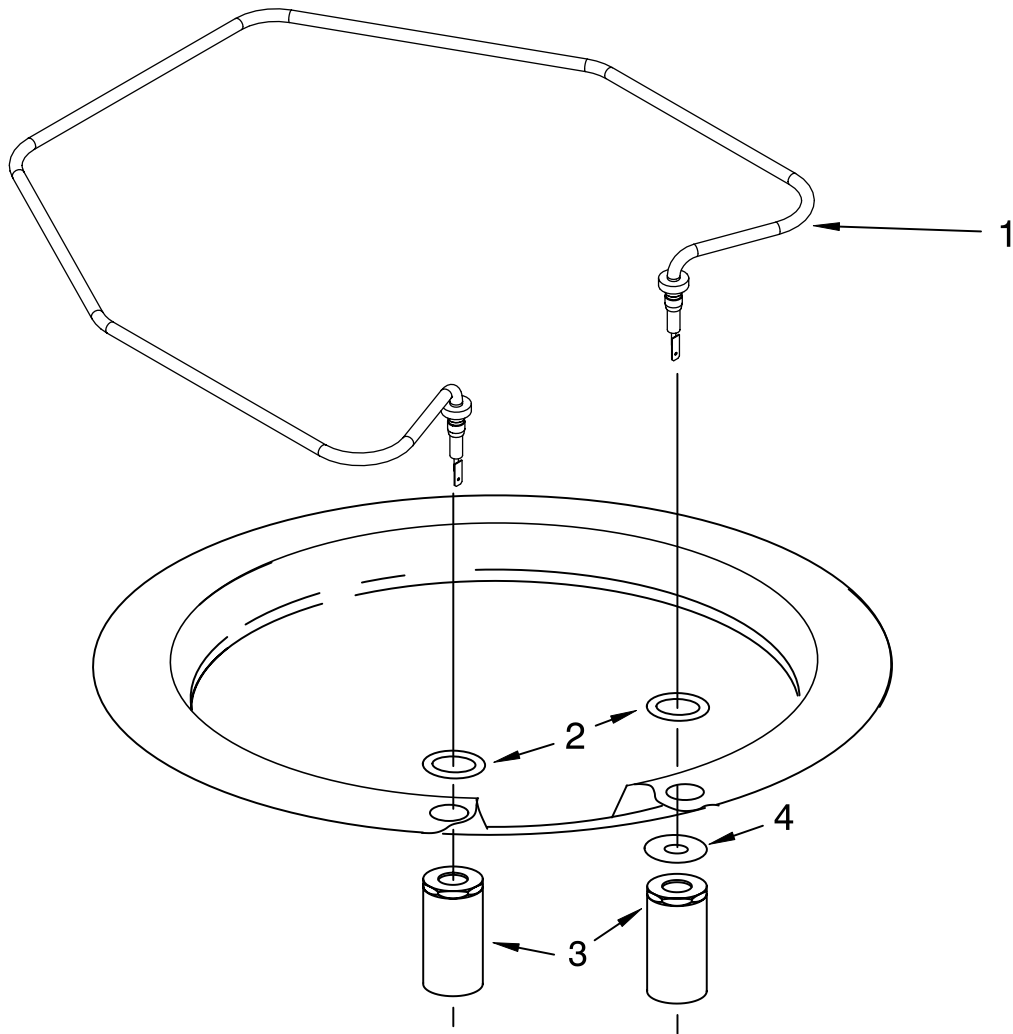


<b>Illus. No.</b>	<b>Part No.</b>	<b>DESCRIPTION</b>
1	8572307	Wash Arm Assembly
2	8268343	Cap, Internal Rear Feed (Also Order Item 3)
3	8268340	Seal, Sprayarm
4	8268342	Hub, Lower Sprayarm (Also Order Item 3)

FOR ORDERING INFORMATION REFER TO PARTS PRICE LIST

# HEATER PARTS

For Models: KUDS03FSBL3, KUDS03FSWH3, KUDS03FSBT3, KUDS03FSSS3  
 (Black) (White) (Biscuit) (Stainless)



Illus. No.	Part No.	DESCRIPTION
1	8537057	Heater Element Assembly (Also Includes Item 2)
2	717273	Washer, Heater Element
3	8268548	Nut, Heater Element
4	3400931	Retainer, Spring Grip

**NOTE:** If heater element is removed, it must be replaced.

FOR ORDERING INFORMATION REFER TO PARTS PRICE LIST

# FILL, DRAIN, AND OVERFILL PARTS

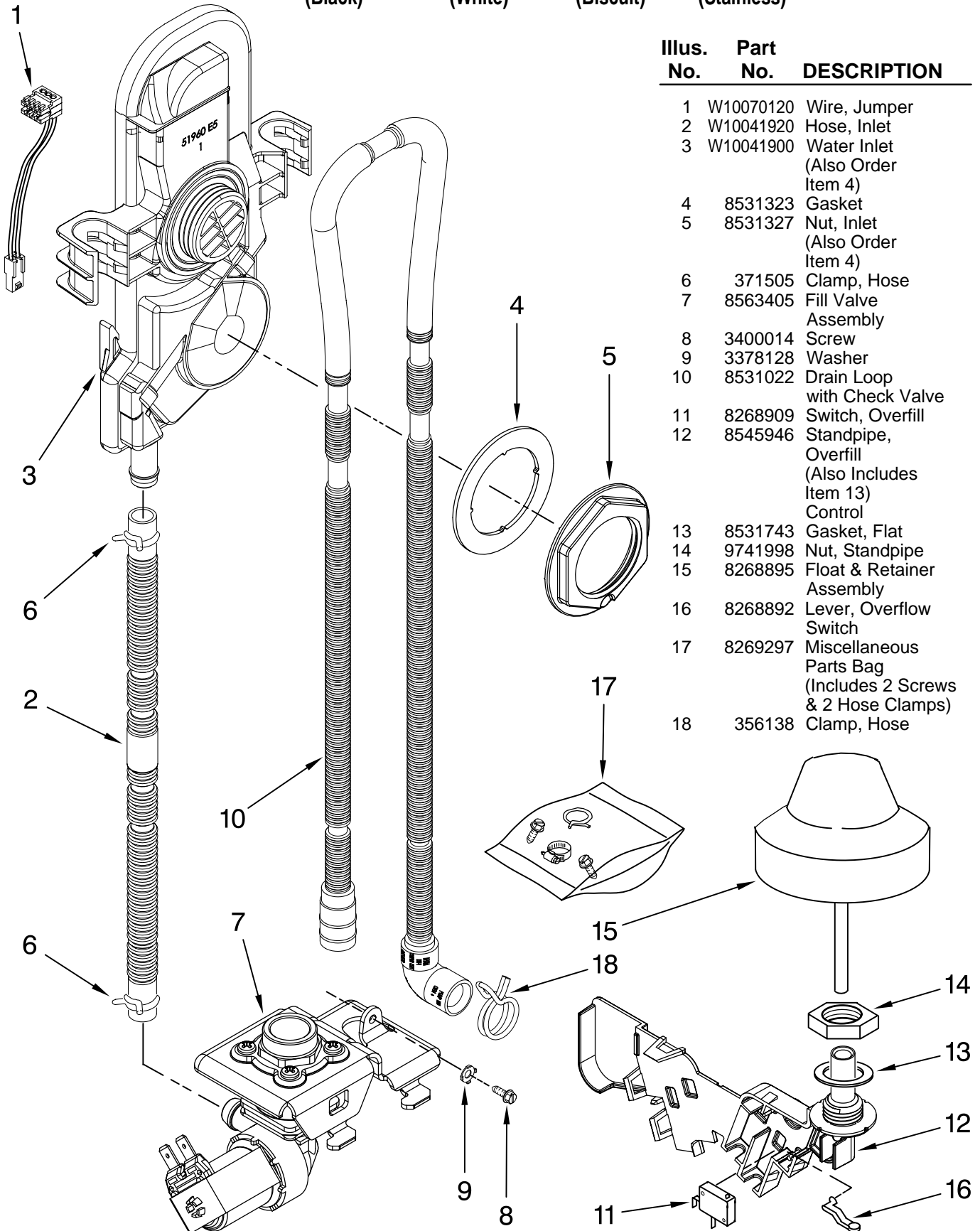
For Models: KUDS03FSBL3, KUDS03FSWH3, KUDS03FSBT3, KUDS03FSSS3

(Black)

(White)

(Biscuit)

(Stainless)

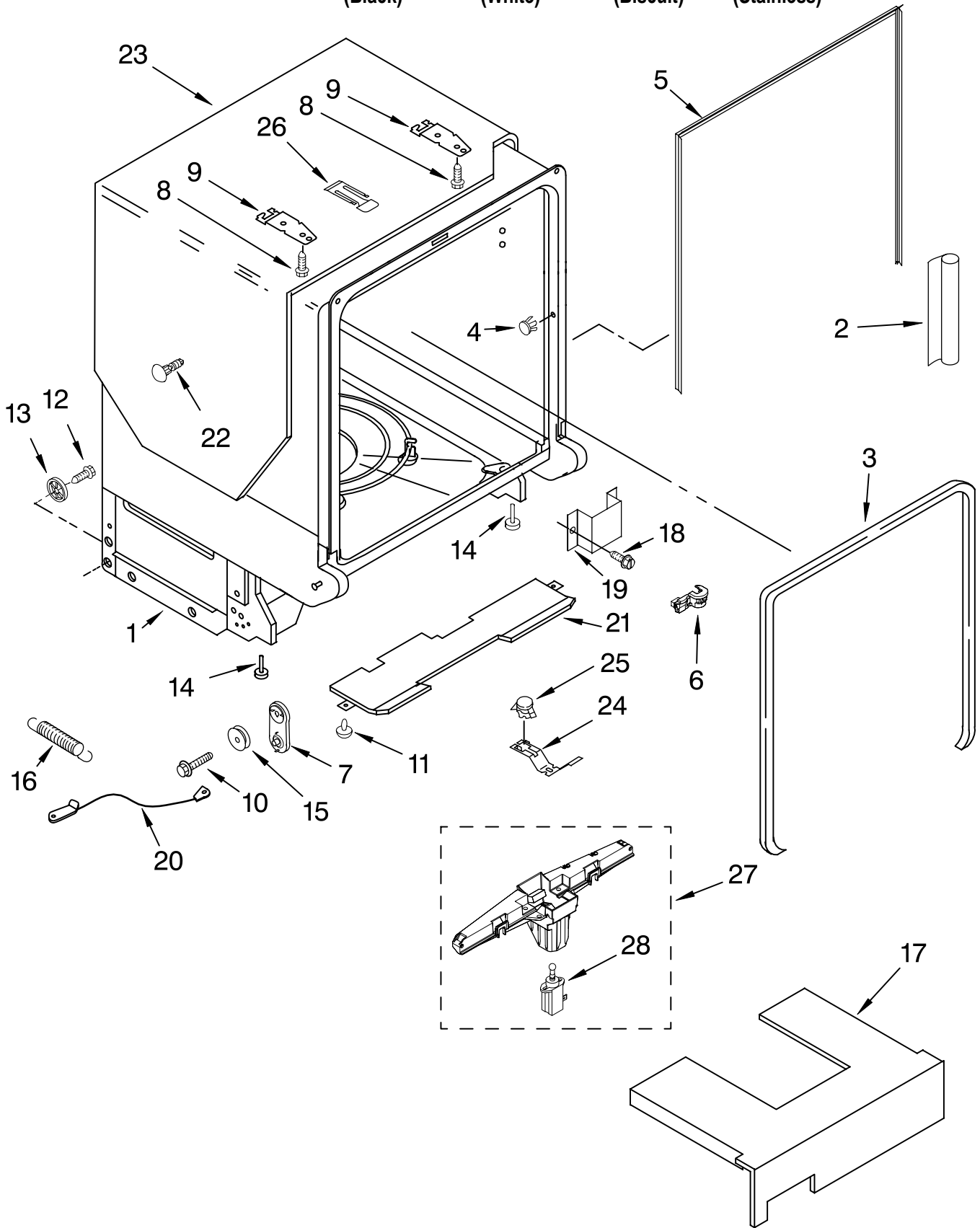


Illus. No.	Part No.	DESCRIPTION
1	W10070120	Wire, Jumper
2	W10041920	Hose, Inlet
3	W10041900	Water Inlet (Also Order Item 4)
4	8531323	Gasket
5	8531327	Nut, Inlet (Also Order Item 4)
6	371505	Clamp, Hose
7	8563405	Fill Valve Assembly
8	3400014	Screw
9	3378128	Washer
10	8531022	Drain Loop with Check Valve
11	8268909	Switch, Overflow
12	8545946	Standpipe, Overflow (Also Includes Item 13)
13	8531743	Gasket, Flat
14	9741998	Nut, Standpipe
15	8268895	Float & Retainer Assembly
16	8268892	Lever, Overflow Switch
17	8269297	Miscellaneous Parts Bag (Includes 2 Screws & 2 Hose Clamps)
18	356138	Clamp, Hose

FOR ORDERING INFORMATION REFER TO PARTS PRICE LIST

# TUB AND FRAME PARTS

For Models: KUDS03FSBL3, KUDS03FSWH3, KUDS03FSBT3, KUDS03FSSS3  
(Black) (White) (Biscuit) (Stainless)



FOR ORDERING INFORMATION REFER TO PARTS PRICE LIST

# TUB AND FRAME PARTS

For Models: KUDS03FSBL3, KUDS03FSWH3, KUDS03FSBT3, KUDS03FSSS3  
 (Black) (White) (Biscuit) (Stainless)

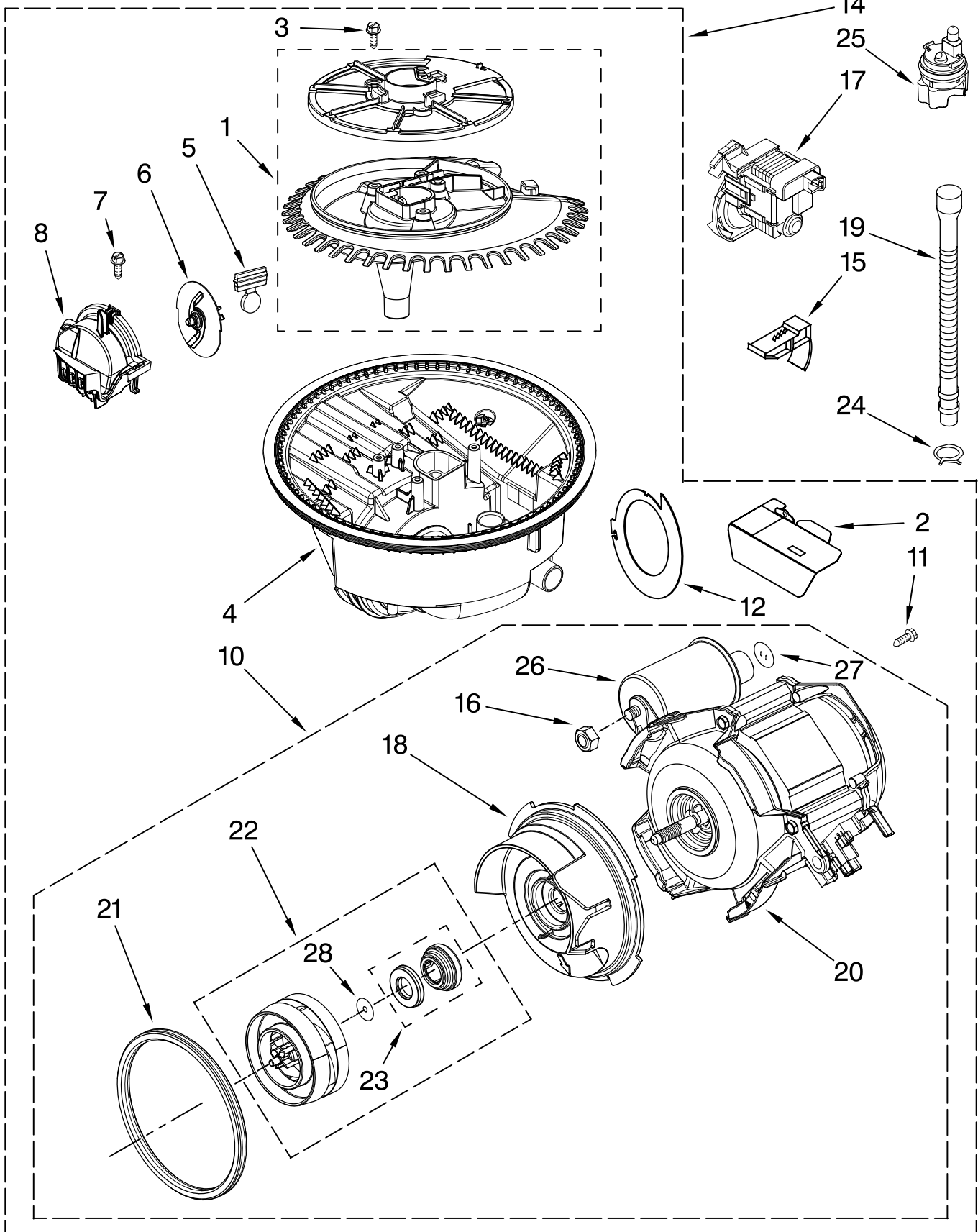
<b>Illus. No.</b>	<b>Part No.</b>	<b>DESCRIPTION</b>
1	W10053130	Tub Assembly
2	8574123	Barrier, Moisture Undercounter
3	W10112096	Door Seal
4	8270119	Plug Tub (2)
5	8269110	Seal, Cabinet
6	8573061	Strain Relief
7	8270021	Mount, Door Balance
8	3367670	Screw
9	8269145	Bracket, Undercounter
10	3400074	Screw (2)
11	3400924	Retainer, Push-in
12	3370389	Screw (2)
13	8268977	Wheel Leg
14	8524584	Leveler, Leg
15	8524474	Wheel, door Balance
16	8270020	Spring, Door Balance
17	8545574	Absorber, Sound
18	3400892	Screw
19	8268991	Cover, Terminal Box
20	8535568	Link, Door Balance
21	8268587	Insulator, Sound
22	304666	Retainer, Push (2)
23	8573239	Shield, Sound Tub
24	9742648	Bracket, Thermostat
25	661566	Thermostat
26	8574157	Strike, Latch
27	8572661	Actuator Assembly
28	8559844	Motor, Wax

FOR ORDERING INFORMATION REFER TO PARTS PRICE LIST



# PUMP AND MOTOR PARTS

For Models: KUDS03FSBL3, KUDS03FSWH3, KUDS03FSBT3, KUDS03FSSS3  
 (Black) (White) (Biscuit) (Stainless)



FOR ORDERING INFORMATION REFER TO PARTS PRICE LIST

# PUMP AND MOTOR PARTS

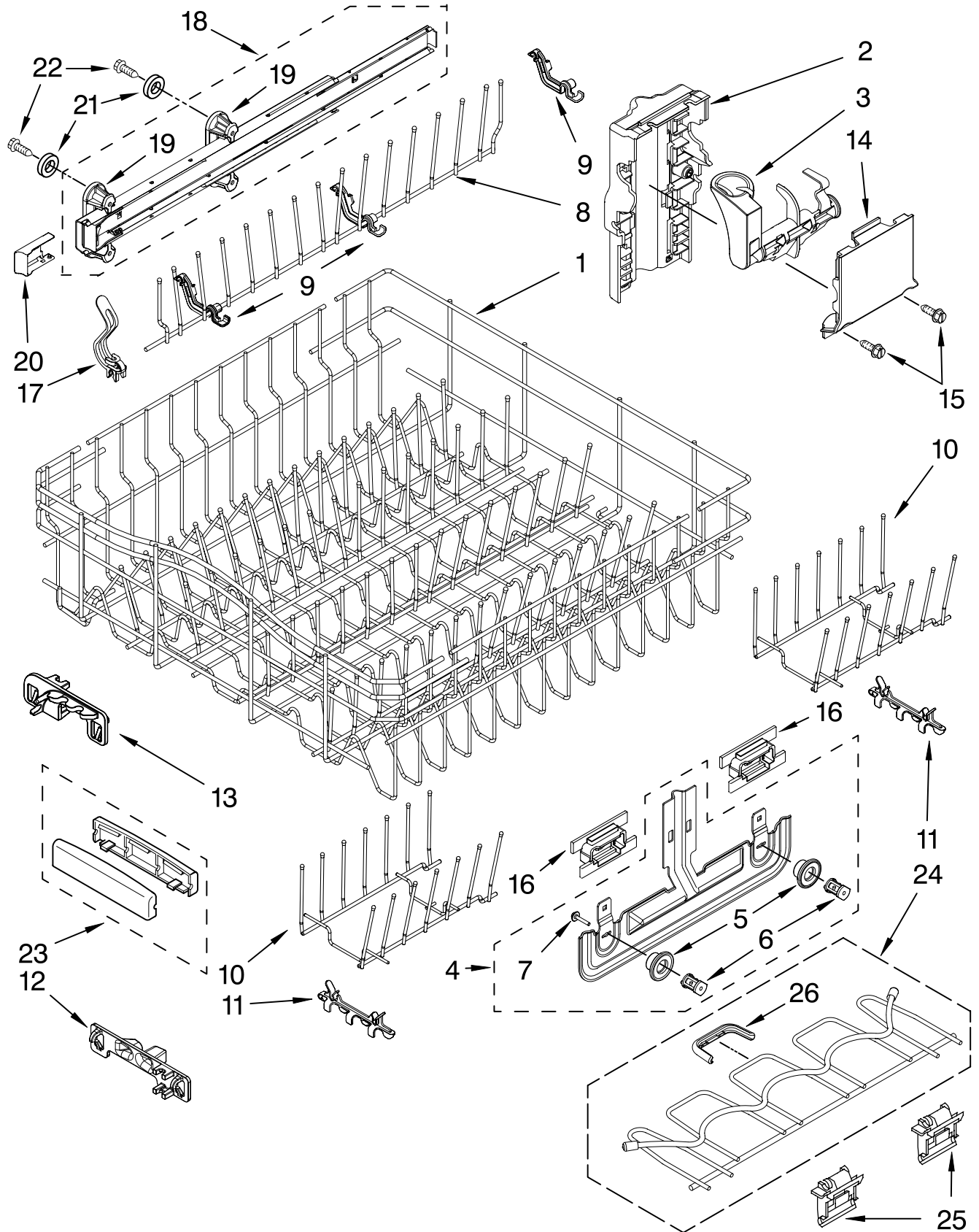
For Models: KUDS03FSBL3, KUDS03FSWH3, KUDS03FSBT3, KUDS03FSSS3  
 (Black) (White) (Biscuit) (Stainless)

Illus. No.	Part No.	DESCRIPTION
1	8534952	Accumulator Assy
2	8283527	Shield, Motor
3	3400069	Screw
4	8572618	Sump With Seal
5	8268375	Check Valve, Sump
6	8268383	Chopper Assembly
7	9741232	Screw
8	8531857	Protector, Inlet
10	8535760	Motor Assembly
11	3400217	Screw
12	8268391	Screen, Separation
14	8572617	Sump & Motor Assembly (Includes Item 15)
15	8269524	Tab, Sump
16	8533949	Nut
17	661662	Pump, Drain
18	8531019	Volute, Back (Also Order Items 23 & 30)
19	8269144	Hose, Drain
20	8535759	Motor
21	8268397	Seal, Volute
22	8531017	Impeller Kit
23	8268403	Face Seal Assembly (Also Order Item 30)
24	356138	Clamp, Hose
25	W10082647	Optical Water Indicator
26	8535474	Capacitor
27	8534946	Shield, Capacitor
28	8531018	Washer

FOR ORDERING INFORMATION REFER TO PARTS PRICE LIST

# UPPER RACK AND TRACK PARTS

For Models: KUDS03FSBL3, KUDS03FSWH3, KUDS03FSBT3, KUDS03FSSS3  
(Black) (White) (Biscuit) (Stainless)



FOR ORDERING INFORMATION REFER TO PARTS PRICE LIST

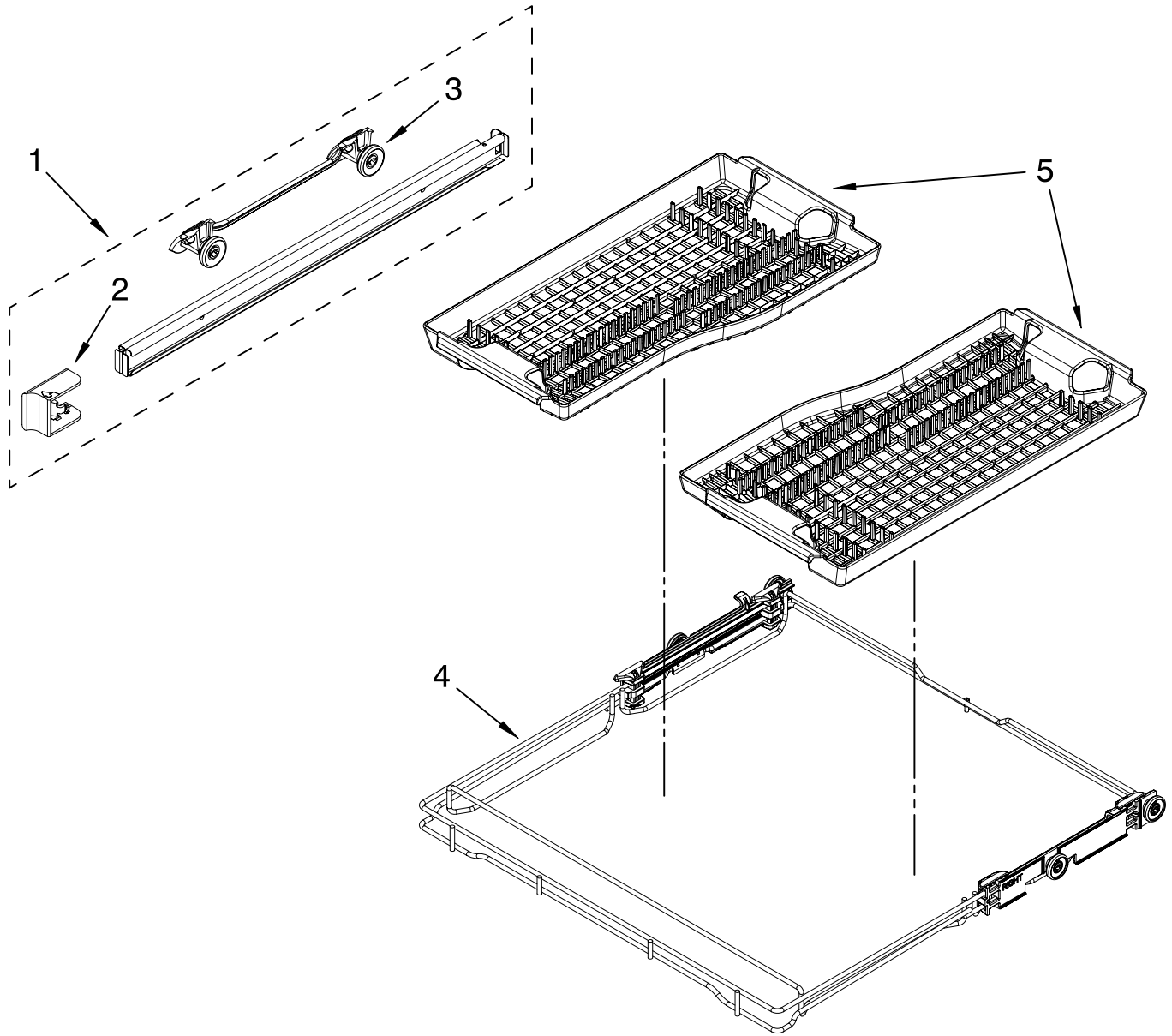
# UPPER RACK AND TRACK PARTS

For Models: KUDS03FSBL3, KUDS03FSWH3, KUDS03FSBT3, KUDS03FSSS3  
 (Black) (White) (Biscuit) (Stainless)

Illus. No.	Part No.	DESCRIPTION
1	8561731	Dishrack, Upper
2	8531344	Housing, Adjuster
3		Actuator, Adjuster
	W10077838	Right Hand
	W10077839	Left Hand
4	8268653	Adjuster Assembly
5	8270138	Wheel
6	8268703	Axel, Adjuster
7	8281156	Screw
8	8562030	Tine Row
9	8539190	Clip, Pivot
10	8539149	Insert, Fold Down Tines
11	8539148	Clip, Insert Tines
12	8539102	Positioner, Dual
13	8539103	Positioner, Multi
14	8531346	Cover, Adjuster
15	9741232	Retainer
16	8268738	Positioner, Arm
17	W10077844	Clip, No-Flip
18		Track, Assembly
	8564924	Right Hand
	8564923	Left Hand (Also Order Item 21)
19	8270137	Mount, Track (Also Order Item 21)
20		Stop, Track
	8573954	Right
	8573953	Left
21	9743002	Gasket, Bracket Mounting
22	3400072	Screw (8)
23	8539110	Handle, Dishrack
24	W10077958	Cupshelf
25	8562026	Clip, Cupshelf
26	W10077843	Indicator, Cupshelf

# THIRD LEVEL RACK AND TRACK PARTS

For Models: KUDS03FSBL3, KUDS03FSWH3, KUDS03FSBT3, KUDS03FSS3  
 (Black) (White) (Biscuit) (Stainless)

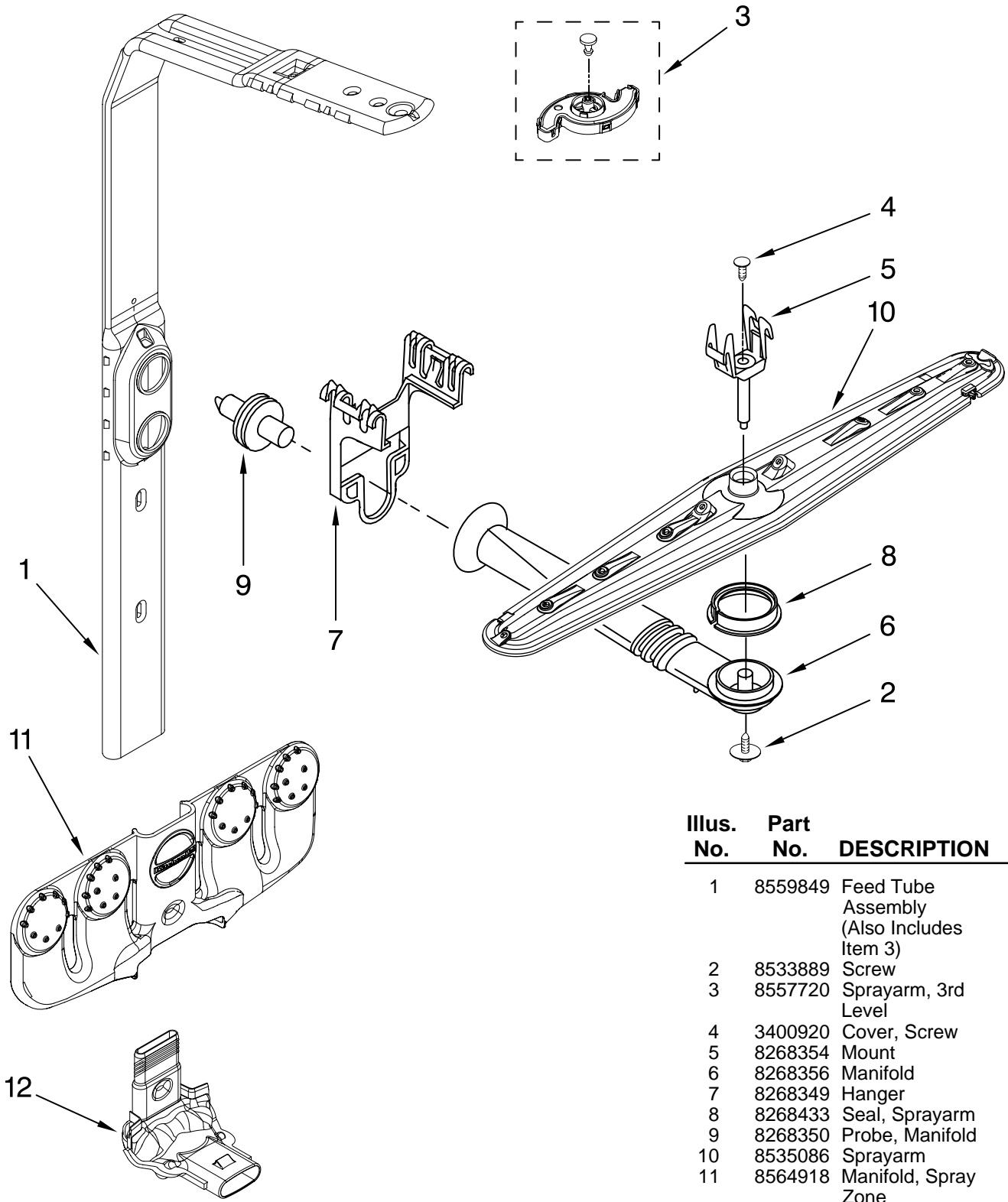


Illus. No.	Part No.	DESCRIPTION
1	8572329	Track Assembly Right
	8572330	Track Assembly Left
2	8564852	Stop, Track
3	8564899	Mount, Track
4	8564900	Rack Assembly (Third Level)
5	8564901	Basket-TLR

FOR ORDERING INFORMATION REFER TO PARTS PRICE LIST

# UPPER WASH AND RINSE PARTS

For Models: KUDS03FSBL3, KUDS03FSWH3, KUDS03FSBT3, KUDS03FSSS3  
 (Black) (White) (Biscuit) (Stainless)

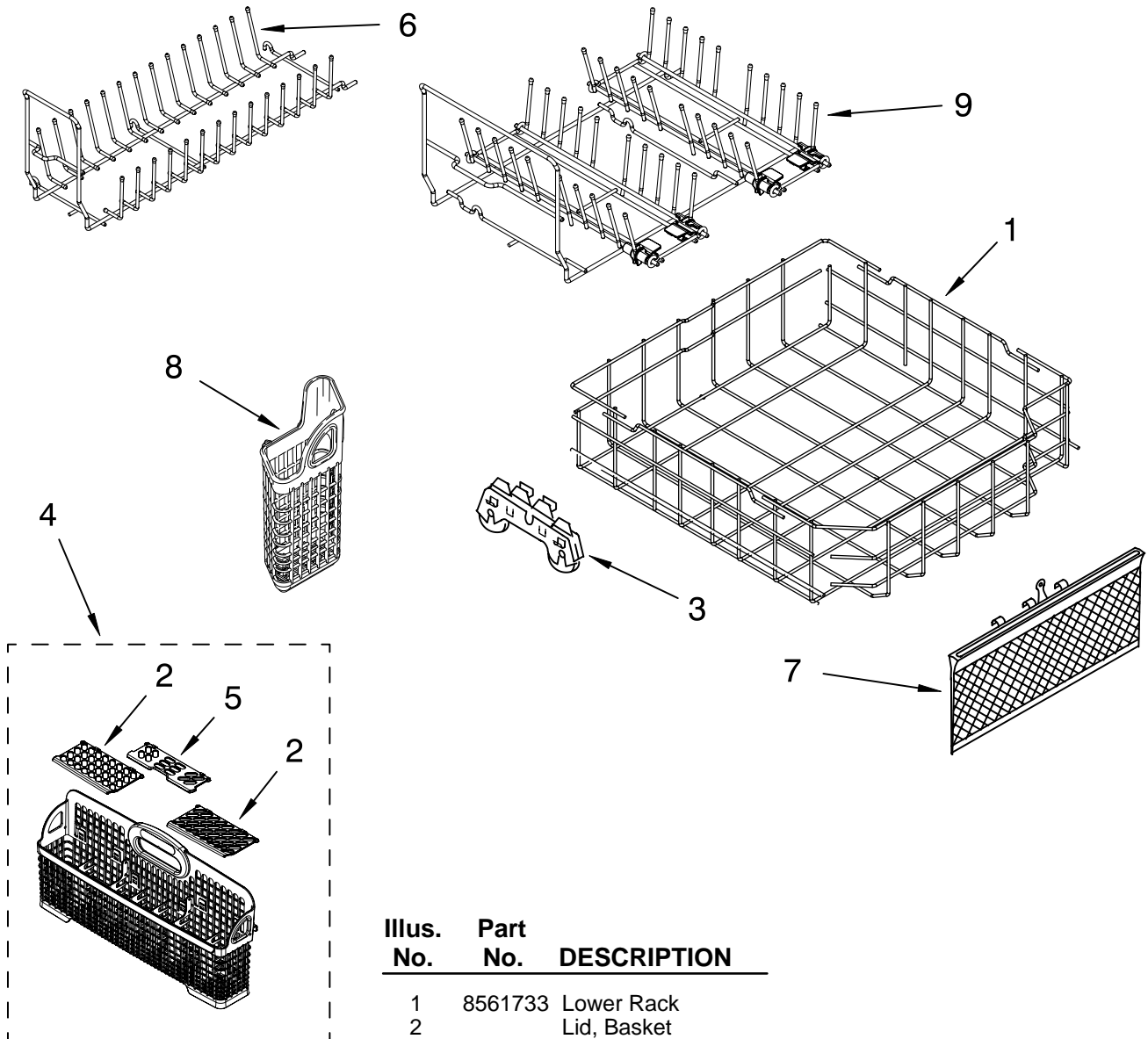


Illus. No.	Part No.	DESCRIPTION
1	8559849	Feed Tube Assembly (Also Includes Item 3)
2	8533889	Seal
3	8557720	Sprayarm, 3rd Level
4	3400920	Cover, Screw
5	8268354	Mount
6	8268356	Manifold
7	8268349	Hanger
8	8268433	Seal, Sprayarm
9	8268350	Probe, Manifold
10	8535086	Sprayarm
11	8564918	Manifold, Spray Zone
12	8575244	Valve Assembly, Manifold

FOR ORDERING INFORMATION REFER TO PARTS PRICE LIST

# LOWER RACK PARTS

For Models: KUDS03FSBL3, KUDS03FSWH3, KUDS03FSBT3, KUDS03FSSS3  
 (Black) (White) (Biscuit) (Stainless)



Illus. No.	Part No.	DESCRIPTION
1	8561733	Lower Rack
2		Lid, Basket Silverware
	8519695	Left Side
	8519663	Right Side
3	8268713	Wheel & Transport Assembly
4	8531282	Basket, Silverware
5	8519662	Lid, Basket Center
6	W10086370	Insert, Large
7	8519716	Basket-Small Items
8	8519702	Basket, Utensil
9	W10086340	Insert, Double

FOR ORDERING INFORMATION REFER TO PARTS PRICE LIST

# OPTIONAL PARTS (NOT INCLUDED)

For Models: KUDS03FSBL3, KUDS03FSWH3, KUDS03FSBT3, KUDS03FSSS3  
 (Black) (White) (Biscuit) (Stainless)

Illus. Part No. No. DESCRIPTION	Illus. Part No. No. DESCRIPTION	Illus. Part No. No. DESCRIPTION
<b><u>ACCESSORIES</u></b>		
Side Panel Kits		
8171656 White		
8171657 Black		
8171658 Biscuit		
8171659 Stainless Steel		
Custom Panel & Trim Kit		
8212489 Black		
Towel Bar Handle Kit		
8573938 Stainless Steel		
Drain Hose		
3385556 12 Ft.		
Vinyl Touch-Up (4oz.)		
676453 White		
676455 Grey		
4396853 Silver Atlantis		
Moisture Barrier Kit		
4396277 Kit		
	<b><u>PAINT, TOUCH-UP (1/2oz.)</u></b>	
	72017 White	
	72032 Black	
	4392899 Biscuit	
	4396603 Meteorite	
	<b><u>PAINT, PRESSURIZED SPRAY (12 oz.)</u></b>	
	350930 White	
	285006 Superior Black	
	4392901 Biscuit	
	<b><u>PAINT, BULK (1 qt.)</u></b>	
	799344 White (Uncut)	
	4392900 Biscuit	
	<b><u>POWER CORD KIT</u></b>	
	4317824 Power Cord Kit (Includes Power Cord & Misc. Hardware)	
	<b><u>ANTI-TIP KIT</u></b>	
	8171477 Floor Mount Kit	
	<b><u>DISHRACK REPAIR</u></b>	
	4396838 White	
	4396840 Grey	
	4396854 Silver Atlantis	

FOR ORDERING INFORMATION REFER TO PARTS PRICE LIST