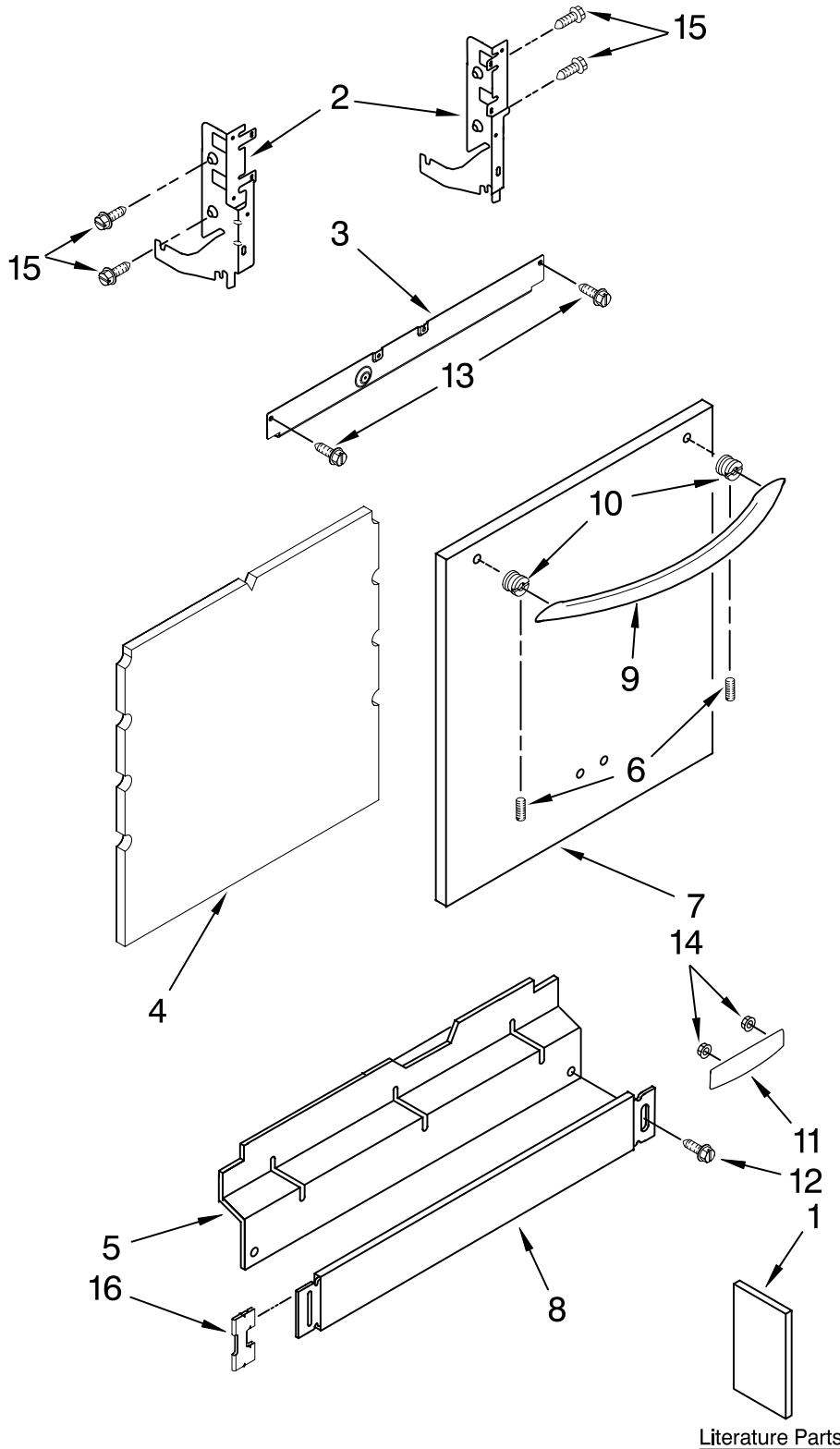


DOOR AND PANEL PARTS

For Models: KUDC03FTSS2
(Stainless)

UNDERCOUNTER
DISHWASHER

KitchenAid®



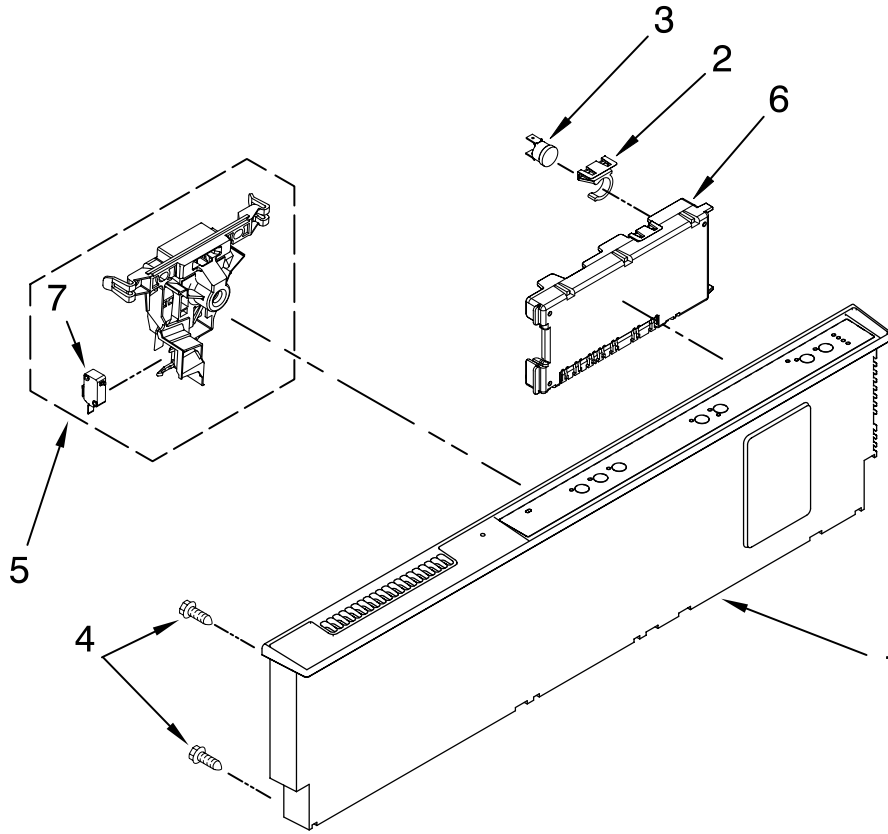
Illus. No.	Part No.	DESCRIPTION
1		Literature Parts
	W10078153	Instructions, Installation
	W10084293	Energy Guide
	W10084169	Guide, Use & Care Spanish
	W10082651	Tech Sheet
	W10084091	Guide, Use & Care English/French
2		Arm, Hinge
	8534854	Left
	8534853	Right
3	8564886	Stiffener, Door
4	8542577	Insulation, Door
5		Access Panel
	8573255	Black
6	8534008	Screw
7		Panel, Front (Includes Items 4, 10, 11 & 14)
	W10137623	Stainless
8		Toe Panel
	8573286	Black
9		Handle (Includes Item 16)
	W10083935	Stainless
10	8564951	Stud, Mounting
11		Nameplate
	W10021850	Stainless
12		Screw
	302868	Black
13	304392	Screw
14	2004333	Nut
15	3400071	Screw
16	8269016	Clip, Grounding

Literature Parts

FOR ORDERING INFORMATION REFER TO PARTS PRICE LIST

CONTROL PANEL PARTS

For Models: KUDC03FTSS2
(Stainless)

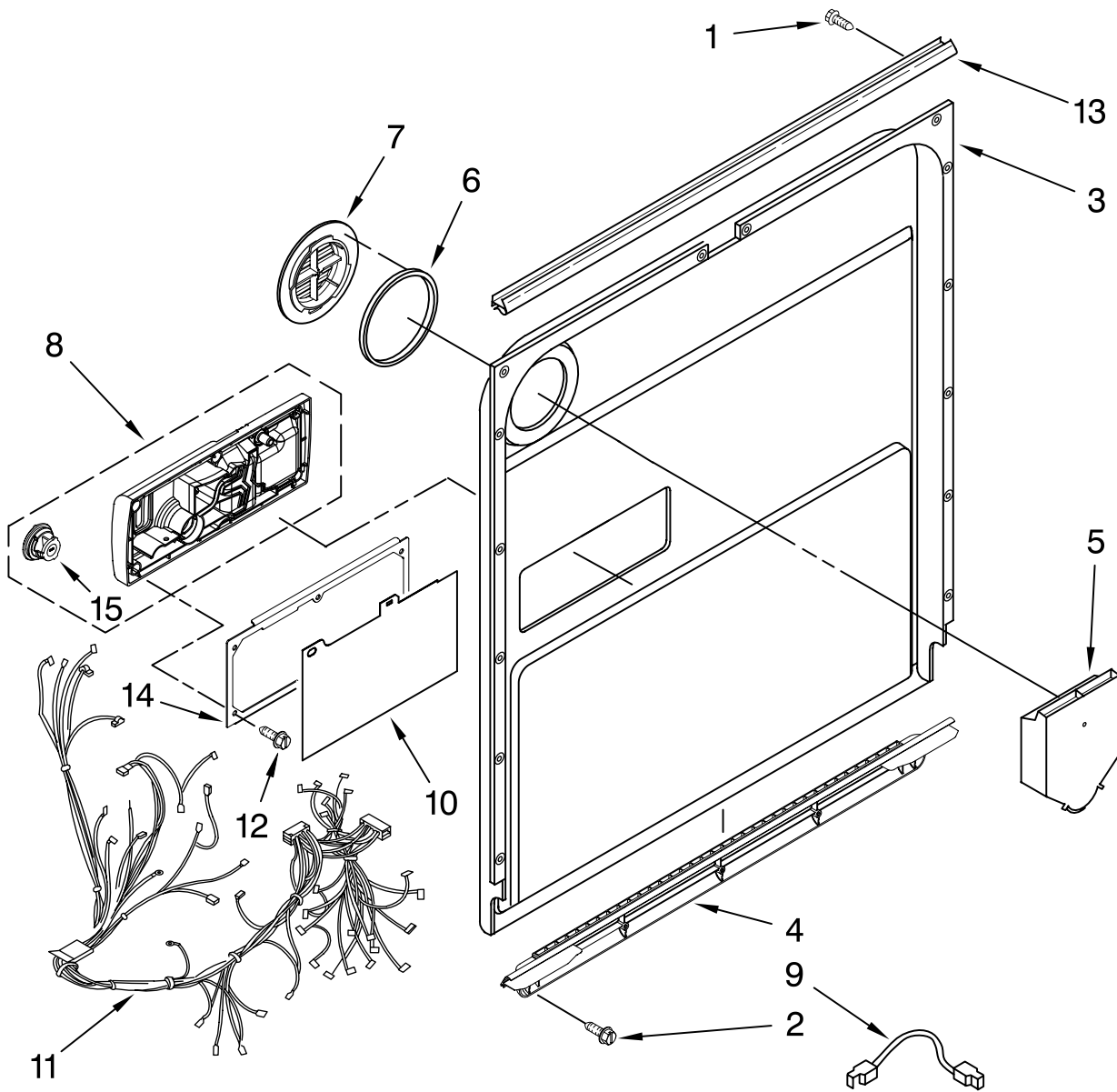


Illus. No.	Part No.	DESCRIPTION
1		Console Asm. (Includes Insert)
	W10084170	Stainless
2	8546546	Clip, BI-Metal
3	661663	Bi-Metal
4	3369051	Screw
5	W10077360	Latch Assembly
6	W10084142	Control, Electronic
7	W10134019	Switch, Door

FOR ORDERING INFORMATION REFER TO PARTS PRICE LIST

DOOR AND LATCH PARTS

For Models: KUDC03FTSS2
(Stainless)



Illus. No.	Part No.	DESCRIPTION
1	3369051	Screw, Door
2	8281217	Screw
3	W10084288	Inner Door Mastic Assembly (Also Order Item 6)
4	W10077883	Inlet, Air
5	8572611	Vent Assembly (Also Order Item 6)

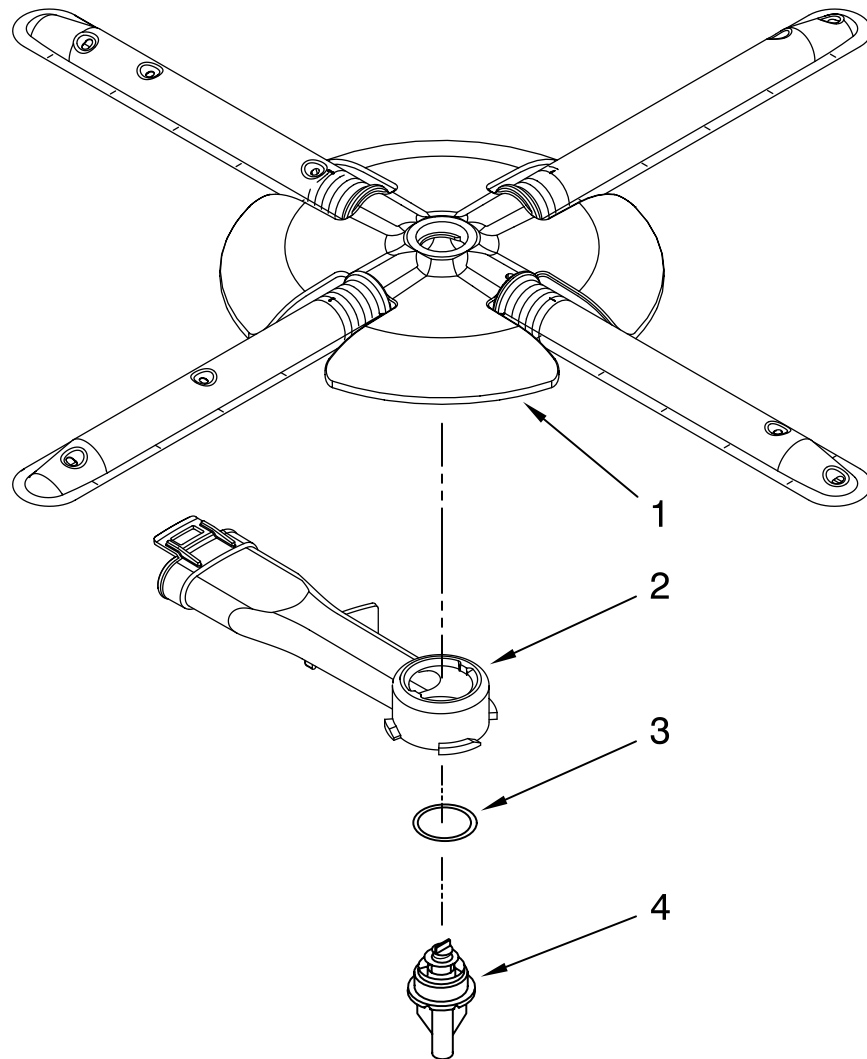
Illus. No.	Part No.	DESCRIPTION
6	8269259	Gasket, Vent
7	W10077877	Deflector, Vent (Also Order Item 6)
8	W10077882	Dispenser, Assembly
9	8545608	Harness, Vent Motor

Illus. No.	Part No.	DESCRIPTION
10	8531865	Shield, Dispenser
11	W10078201	Wiring Harness Main
12	8281154	Screw
13	8535660	Seal, Console/door
14	8535637	Bracket, Dispenser
15	W10077881	Knob, Rinse Aid

FOR ORDERING INFORMATION REFER TO PARTS PRICE LIST

LOWER WASHARM AND STRAINER PARTS

For Models: KUDC03FTSS2
(Stainless)

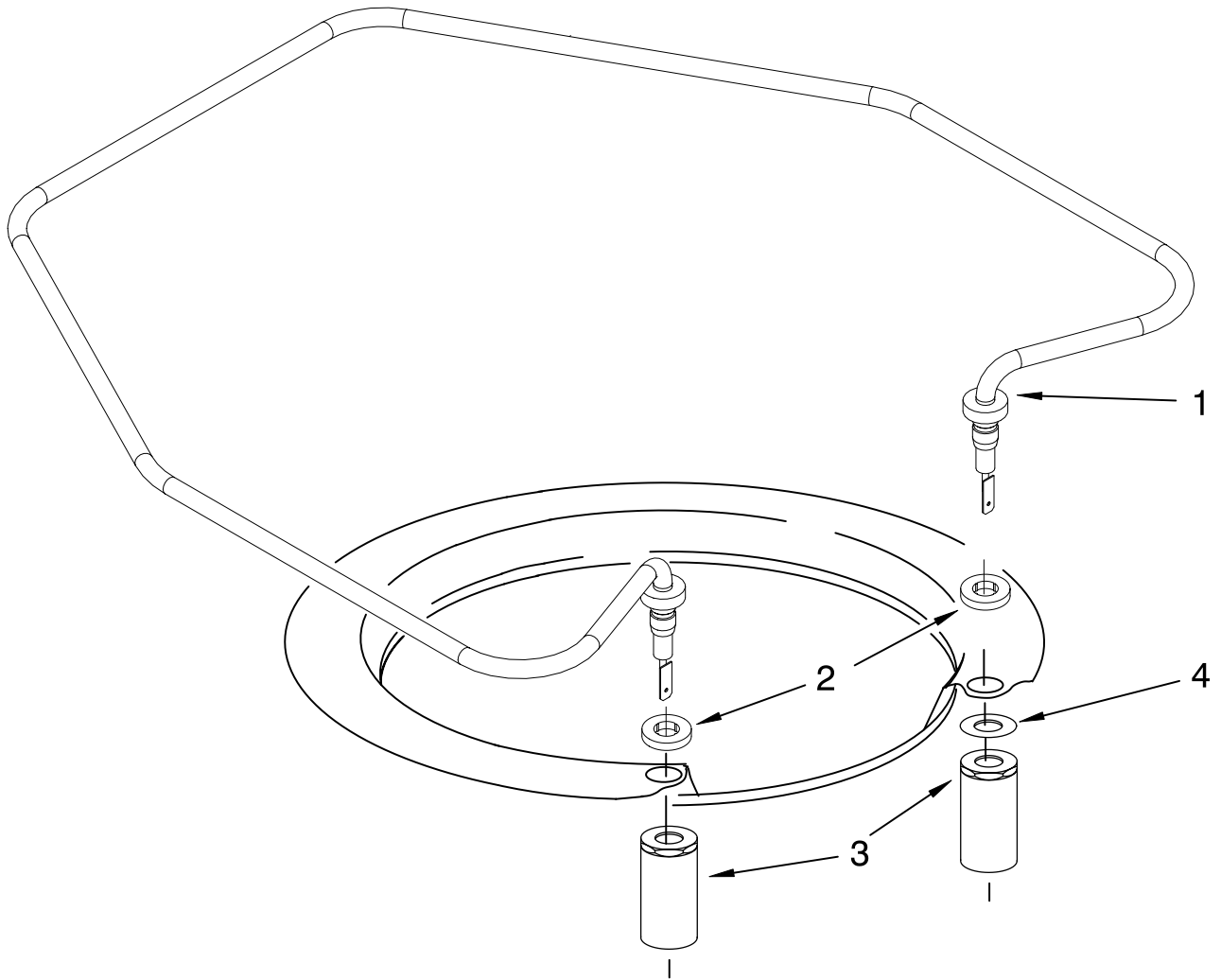


<u>Illus. No.</u>	<u>Part No.</u>	<u>DESCRIPTION</u>
1	W10077965	Wash Arm Assembly
2	W10077899	Cap, Internal Rear Feed (Also Order Item 3)
3	8268340	Seal, Sprayarm
4	W10077898	Hub, Lower Sprayarm (Also Order Item 3)

FOR ORDERING INFORMATION REFER TO PARTS PRICE LIST

HEATER PARTS

For Models: KUDC03FTSS2
(Stainless)



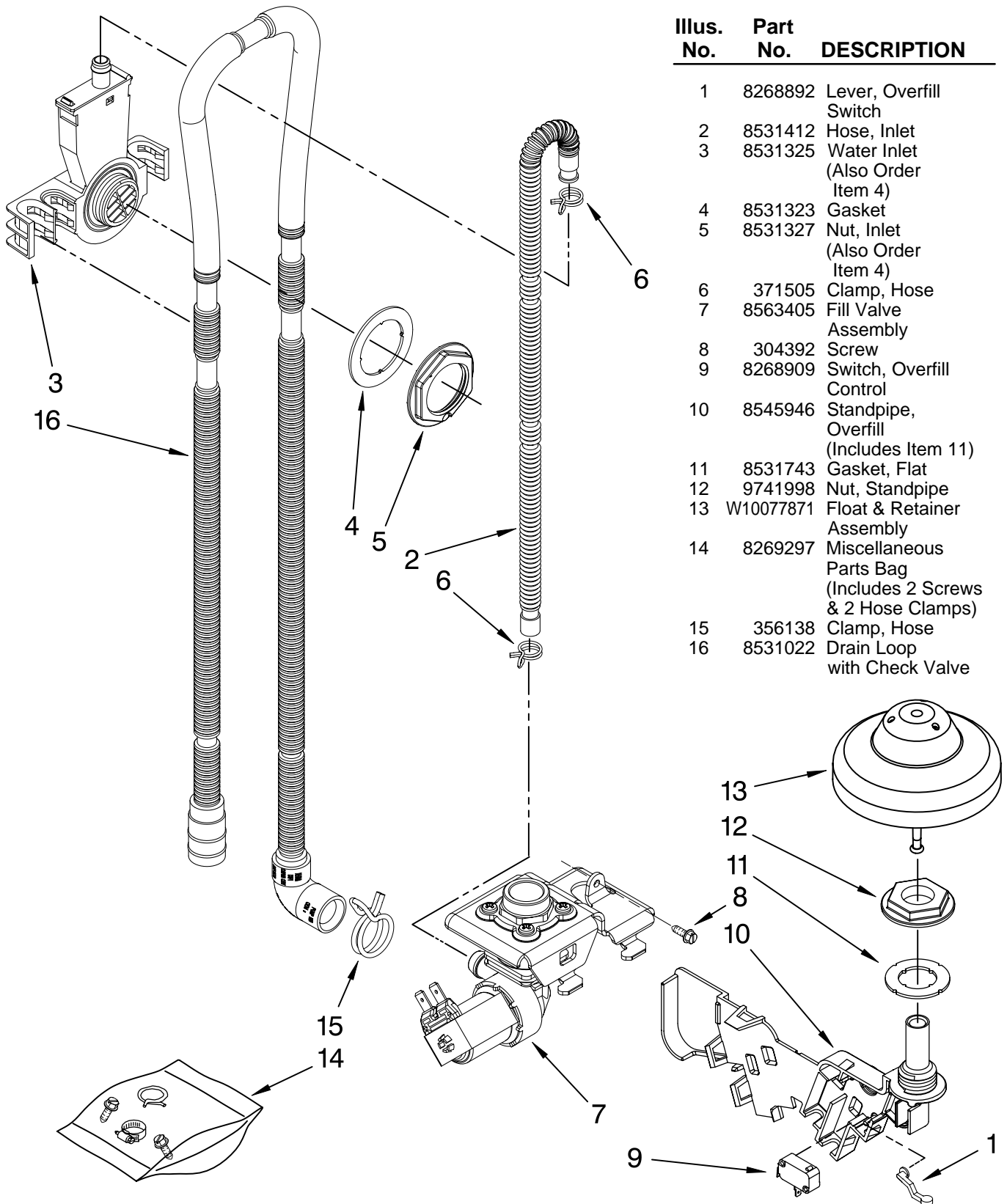
<u>Illus. No.</u>	<u>Part No.</u>	<u>DESCRIPTION</u>
1	8537057	Heater Element Assembly (Also Includes Item 2)
2	717273	Washer, Heater Element
3	8268548	Nut, Heater Element
4	3400931	Retainer, Spring Grip

NOTE: If heater element is removed, it must be replaced.

FOR ORDERING INFORMATION REFER TO PARTS PRICE LIST

FILL, DRAIN AND OVERFILL PARTS

For Models: KUDC03FTSS2
(Stainless)



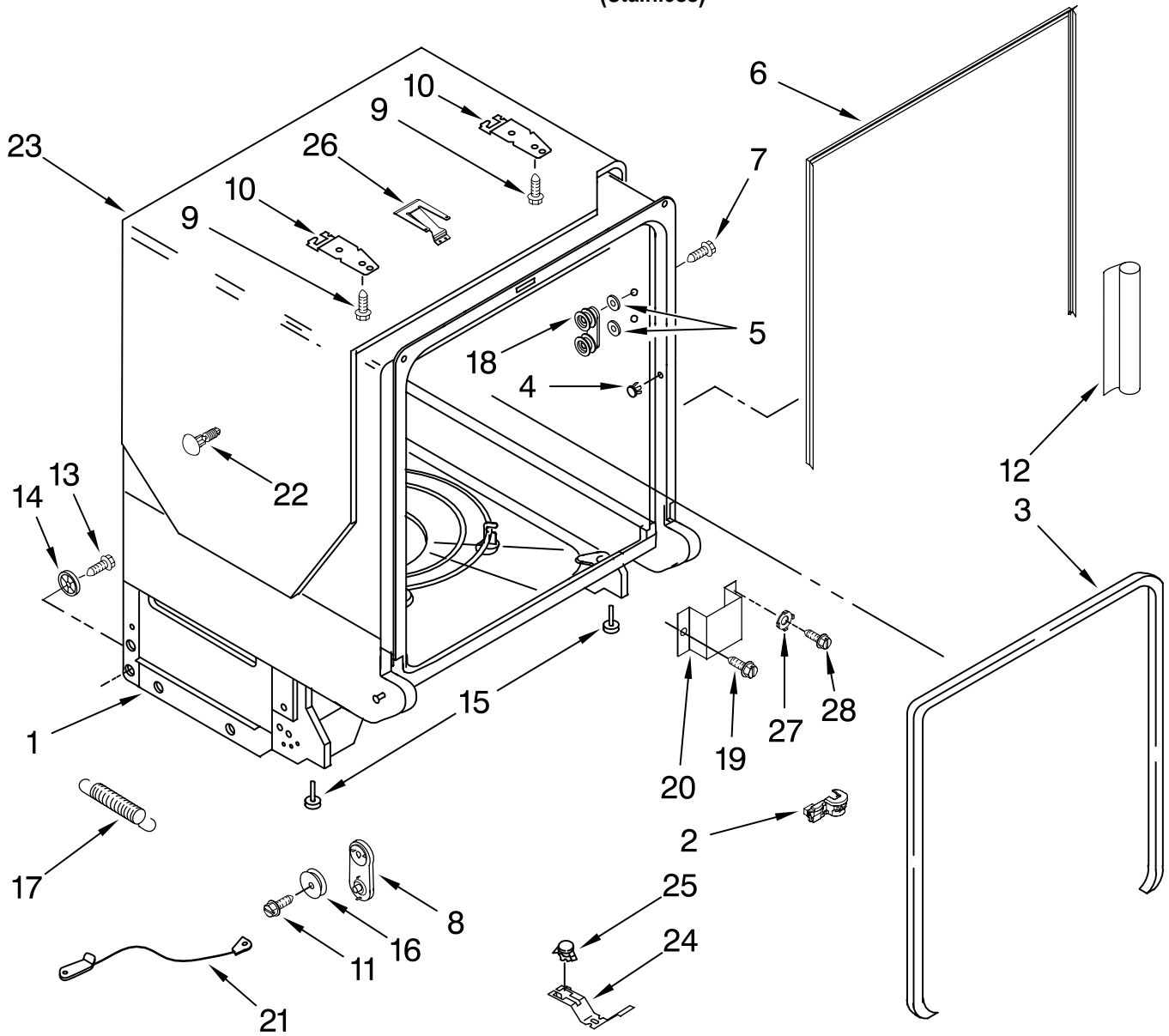
Illus. No.	Part No.	DESCRIPTION
1	8268892	Lever, Overflow Switch
2	8531412	Hose, Inlet
3	8531325	Water Inlet (Also Order Item 4)
4	8531323	Gasket
5	8531327	Nut, Inlet (Also Order Item 4)
6	371505	Clamp, Hose
7	8563405	Fill Valve Assembly
8	304392	Screw
9	8268909	Switch, Overflow Control
10	8545946	Standpipe, Overflow (Includes Item 11)
11	8531743	Gasket, Flat
12	9741998	Nut, Standpipe
13	W10077871	Float & Retainer Assembly
14	8269297	Miscellaneous Parts Bag (Includes 2 Screws & 2 Hose Clamps)
15	356138	Clamp, Hose
16	8531022	Drain Loop with Check Valve

FOR ORDERING INFORMATION REFER TO PARTS PRICE LIST

TUB AND FRAME PARTS

For Models: KUDC03FTSS2

(Stainless)



FOR ORDERING INFORMATION REFER TO PARTS PRICE LIST

TUB AND FRAME PARTS

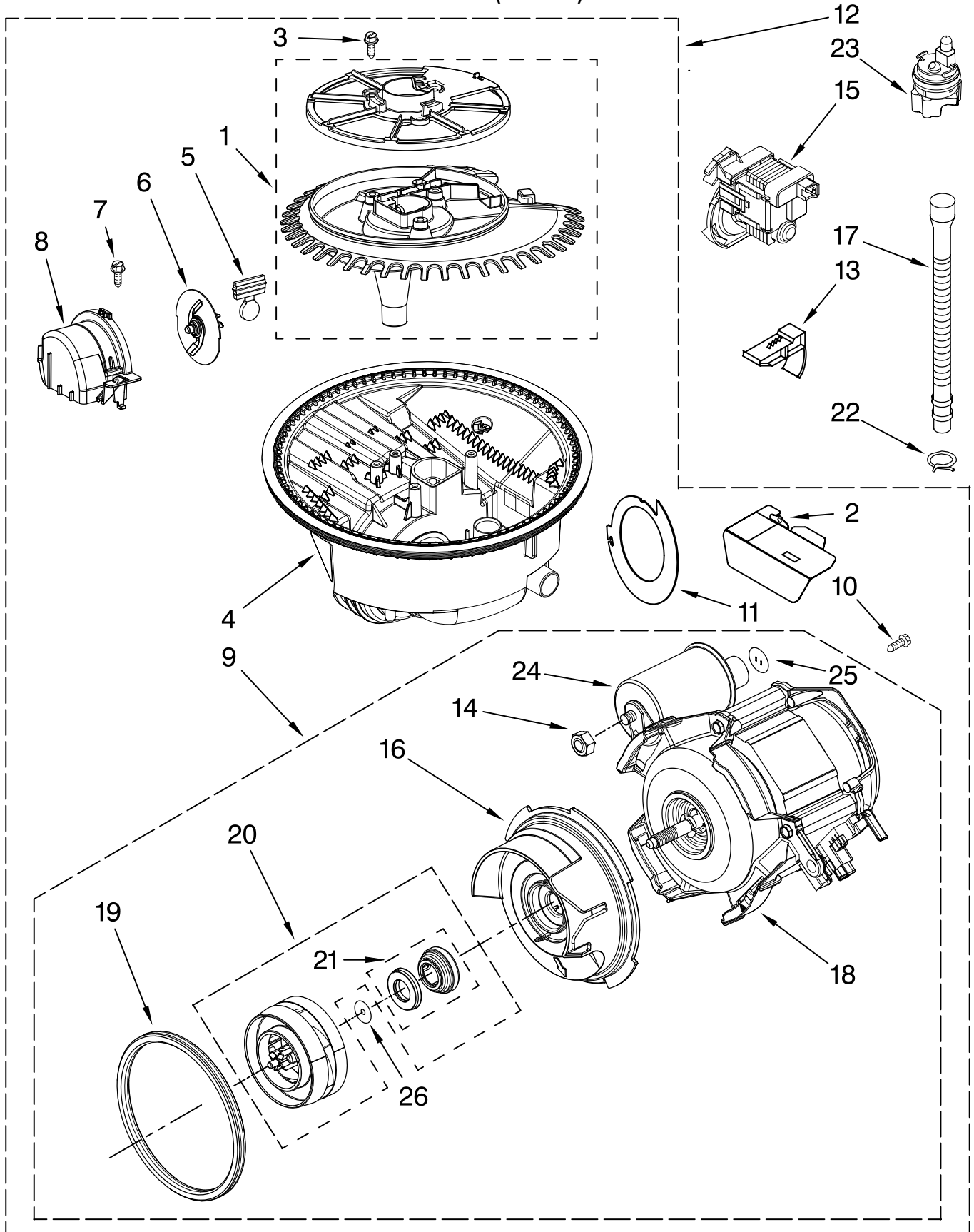
For Models: KUDC03FTSS2
(Stainless)

Illus. No.	Part No.	DESCRIPTION
1	W10084283	Tub Assembly
2	8573061	Strain Relief
3	W10112096	Door Seal
4	W10082838	Plug Tub
5	9743002	Gasket, Bracket Mounting
6	8269110	Seal, Cabinet
7	3400072	Screw
8	8270021	Mount, Door Balance
9	3367670	Screw
10	8269145	Bracket, Undercounter
11	3400074	Screw
12	8574123	Barrier, Moisture Undercounter
13	3370389	Screw
14	8268977	Wheel Leg
15	8524584	Leveler, Leg
16	8524474	Wheel, door Balance
17	8270020	Spring, Door Balance
18	W10078083	Wheel & Mount Assembly (Also Order Item 5)
19	3400892	Screw
20	8268991	Cover, Terminal Box
21	8535568	Link, Door Balance
22	304666	Retainer, Push (2)
23	8573241	Shield, Sound Tub
24	9742648	Bracket, Thermostat
25	661566	Thermostat
26	W10077370	Strike, Latch
27	3378128	Washer, Pronged Cup
28	3400014	Screw

FOR ORDERING INFORMATION REFER TO PARTS PRICE LIST

PUMP AND MOTOR PARTS

For Models: KUDC03FTSS2
(Stainless)



FOR ORDERING INFORMATION REFER TO PARTS PRICE LIST

PUMP AND MOTOR PARTS

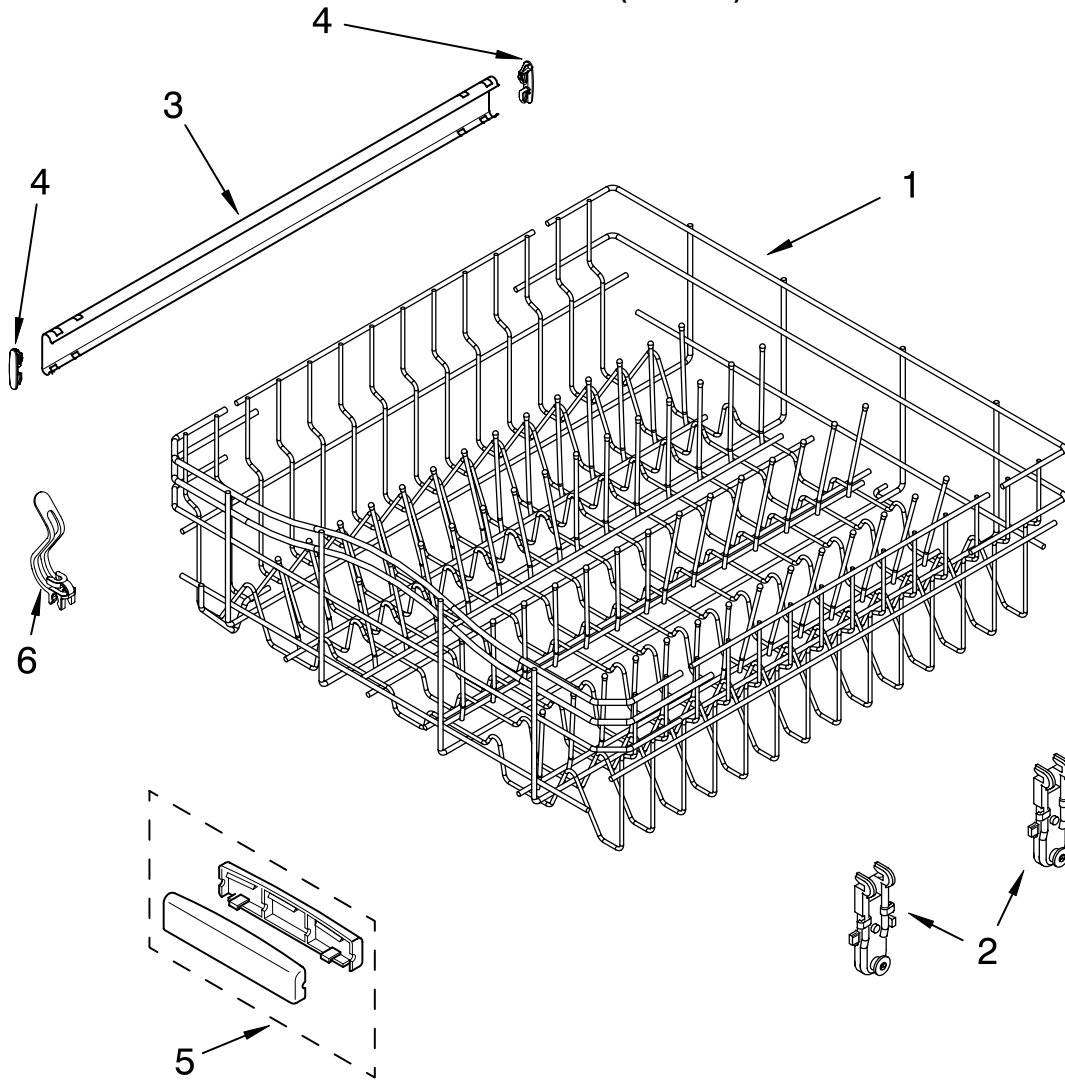
For Models: KUDC03FTSS2
(Stainless)

<u>Illus.</u> <u>No.</u>	<u>Part</u> <u>No.</u>	<u>DESCRIPTION</u>
1	8534952	Accumulator Assy
2	8283527	Shield
3	3400069	Screw
4	8572618	Sump with Seal
5	8268375	Check Valve, Sump
6	W10083957	Chopper Assembly
7	9741232	Screw
8	8531857	Protector, Inlet
9	8535760	Motor Assembly
10	3400217	Screw
11	8268391	Screen, Separation
12	W10084107	Sump & Motor Assembly
13	8269524	Tab, Sump
14	8533949	Nut
15	661662	Pump, Drain
16	8531019	Volute, Back (Also Order Items 21 & 26)
17	8269144	Hose, Drain
18	8535759	Motor
19	8268397	Seal, Volute
20	8531017	Impeller Kit
21	8268403	Face Seal Assembly (Also Order Item 26)
22	356138	Clamp, Hose
23	W10082647	Optical Water Indicator
24	8535474	Capacitor
25	8534946	Shield, Capacitor
26	8531018	Washer

FOR ORDERING INFORMATION REFER TO PARTS PRICE LIST

UPPER RACK AND TRACK PARTS

For Models: KUDC03FTSS2
(Stainless)



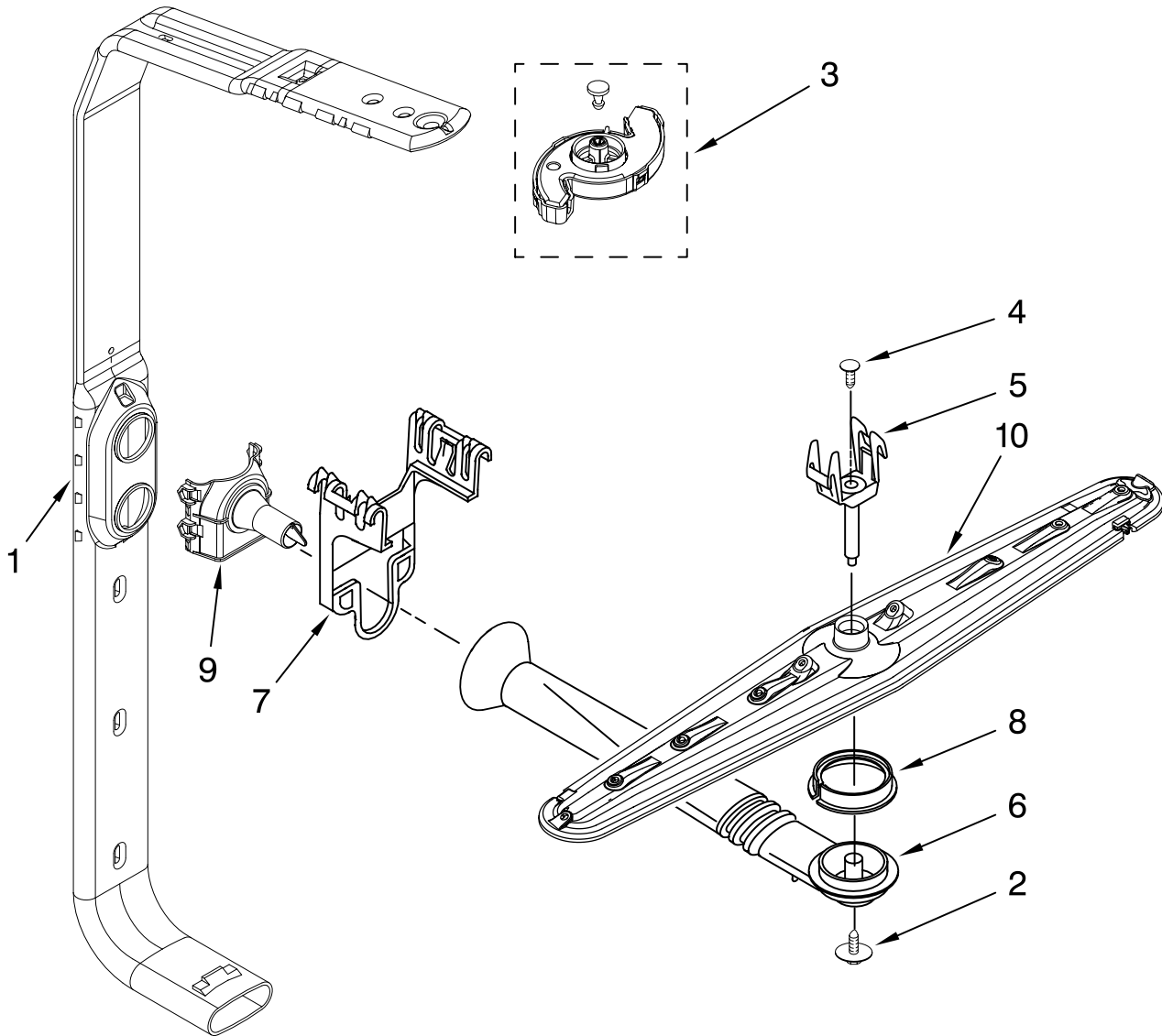
Illus. No.	Part No.	DESCRIPTION
------------	----------	-------------

- | | | |
|---|-----------|-------------------------|
| 1 | 8539234 | Dishrack, Upper |
| 2 | W10078214 | Mount, Wheel Stationary |
| 3 | 3385089 | Track Rack |
| 4 | W10082860 | Stop, Track |
| 5 | 8539110 | Handle, Dishrack |
| 6 | W10077844 | Clip, No-Flip |

FOR ORDERING INFORMATION REFER TO PARTS PRICE LIST

UPPER WASH AND RINSE PARTS

For Models: KUDC03FTSS2
(Stainless)



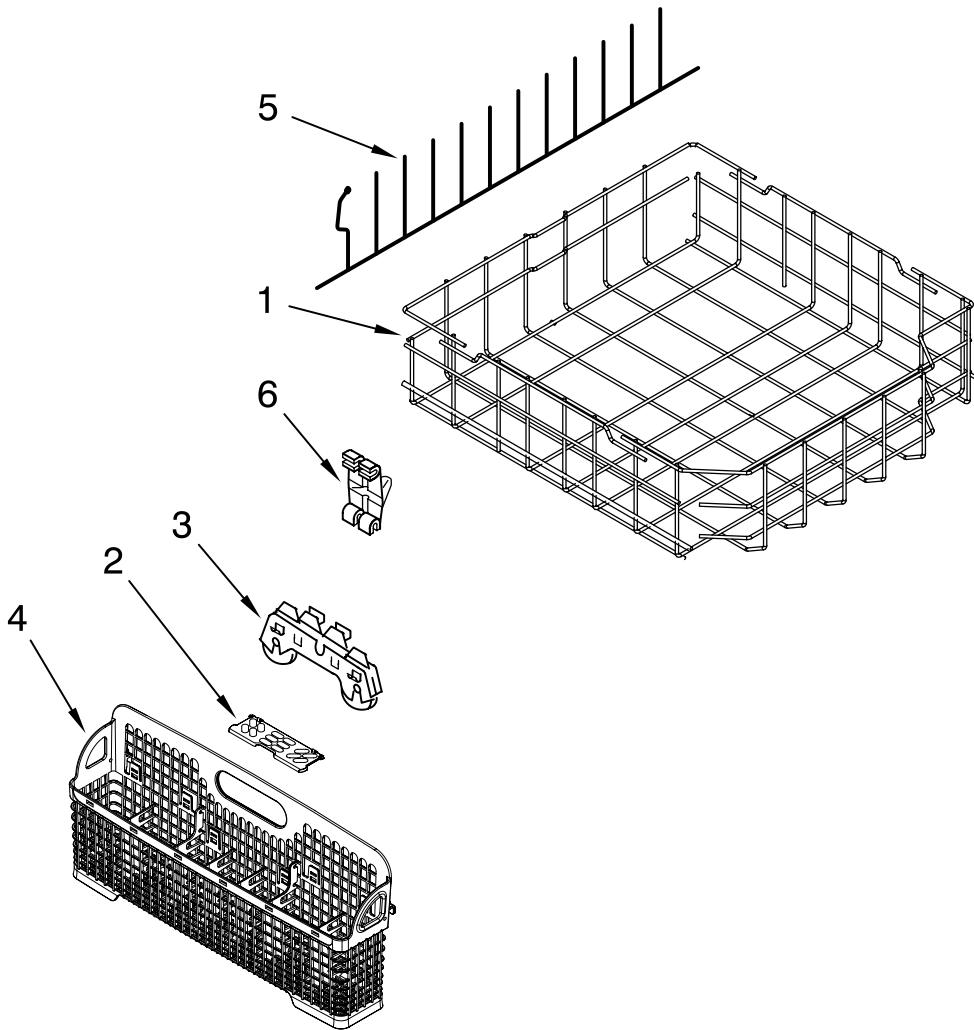
Illus. No.	Part No.	DESCRIPTION
------------	----------	-------------

1	W10077896	Feed Tube Assembly (Also Includes Item 3)
2	8533889	Screw
3	8557720	Spinner, 3rd Level
4	W10118464	Fastener, Push-In
5	W10082867	Mount
6	W10082833	Manifold
7	W10082832	Hanger
8	8268433	Seal, Sprayarm
9	W10077923	Nozzle-Feed
10	W10082841	Sprayarm

FOR ORDERING INFORMATION REFER TO PARTS PRICE LIST

LOWER RACK PARTS

For Models: KUDC03FTSS2
(Stainless)



Illus. No.	Part No.	DESCRIPTION
1	8539263	Dishrack, Lower
2	8519662	Lid, Basket
3	W10082868	Wheel & Transport Assembly
4	8562043	Basket, Silverware (Includes Item 2)
5	8519589	Tine Row
6	8531314	Retainer, Tine Row

FOR ORDERING INFORMATION REFER TO PARTS PRICE LIST

OPTIONAL PARTS (NOT INCLUDED)

For Models: KUDC03FTSS2
(Stainless)

Illus. Part No. No. DESCRIPTION	Illus. Part No. No. DESCRIPTION	Illus. Part No. No. DESCRIPTION
<u>ACCESSORIES</u>		
Side Panel Kits		
8171656 White		
8171657 Black		
8171658 Biscuit		
8171659 Stainless Steel		
Custom Panel & Trim Kit		
8212489 Black		
Towel Bar Handle Kit		
8573938 Stainless Steel		
Drain Hose		
3385556 12 Ft.		
Moisture Barrier Kit		
4396277 Kit		
<u>PAINT, TOUCH-UP (1/2oz.)</u>		
	72017 White	
	72032 Black	
	4392899 Biscuit	
	4396603 Meteorite	
<u>PAINT, PRESSURIZED SPRAY (12 oz.)</u>		
	350930 White	
	285006 Superior Black	
	4392901 Biscuit	
<u>PAINT, BULK (1 qt.)</u>		
	799344 White (Uncut)	
	4392900 Biscuit	
<u>POWER CORD KIT</u>		
	4317824 Power Cord Kit (Includes Power Cord & Misc. Hardware)	
<u>ANTI-TIP KIT</u>		
	8171477 Floor Mount Kit	
<u>DISHRACK REPAIR</u>		
	Tip Tine Repair Kit (Enough for Two Complete Dishracks)	
	4396838 White	
	4396840 Grey	
	4396854 Silver Atlantis	
	Vinyl Touch-Up (4 oz.)	
	676453 White	
	676455 Grey	
	4396853 Silver Atlantis	

FOR ORDERING INFORMATION REFER TO PARTS PRICE LIST