



Jackson

Delta 5

Project _____
 Item _____
 Quantity _____
 CSI Section 11400 _____
 Approval _____
 Date _____

Models

Delta 5



Standard Features

- Energy Star® qualified
- Functions as both a glasswasher and a dishwasher, accommodating wares up to 11-1/2" (292 mm) high
- Push-button start
- Automatic fill, cycle and drain
- Solid-state timer
- Easily accessible controls
- 3-way dispensing system for detergent, rinse additive and sanitizer
- Stainless steel wash pump
- Lower rotary wash arm and fixed upper jets
- Door-safety switch
- Adjustable bullet feet
- Swing-out control box for easy service and access
- Side control panel for easy access to switches
- Dial temperature gauge for constant monitoring of temperature

- Side skirt panels
- Latch-type front (lower) panel
- Delime/manual wash switch

Optional Features

50 Hz cycle

Accessory Items

- 36 Compartment Racks 4-1/8", 5-5/8", or 7" (105 mm, 143 mm, 178 mm)
- Combination Rack
- Peg Rack
- Flat Rack
- Half Rack
- Scaltrol
- Water Hammer Arrestor

Specifications

Uses only 1.16 gallons (4.39 liters) of water per cycle

Cleans 40 racks per hour

1,000 glasses per hour

90-second operating cycle

Powerful 3/4 HP wash pump motor

Built-in chemical pumps

Air-gap water inlet

11-1/2" (292 mm) wash chamber clearance

Gravity drain

Built-in waste accumulator

Sustaining heating element maintains final rinse between 120°F (49°C) and 140°F (60°C)

Removable end plugs on lower wash arm and removable upper jets

Durable 304 stainless steel construction



SHIPPING ADDRESS
 6209 North U.S. Highway 25E
 Gray, KY 40734

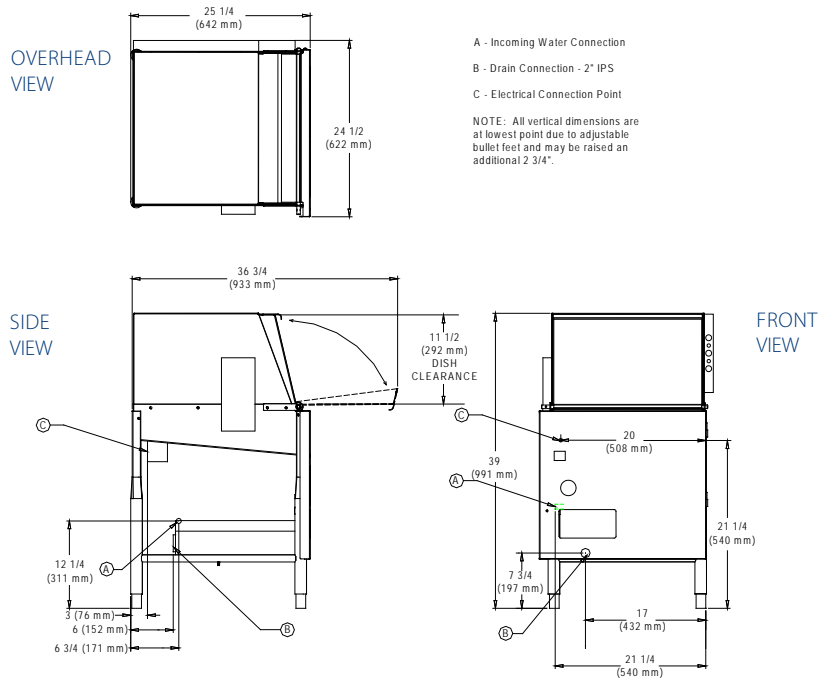
MAILING ADDRESS
 P. O. Box 1060
 Barbourville, KY 40906

Tel: 606-523-9795
Tel: 1-888-800-5672
Fax: 606-523-1799

www.jacksonmsc.com
E-mail: customerservice@jacksonmsc.com
07610-003-61-07 (10/08)

Enodis

Delta 5



MACHINE DIMENSIONS				
INSIDE CLEARANCE HEIGHT	INSIDE CLEARANCE WIDTH	INSIDE CLEARANCE DEPTH	DOOR OPEN DEPTH	WALL CLEARANCE (MINIMUM)
11-1/2" (292 mm)	20-1/4" (514 mm)	20.5" (521 mm)	36-3/4" (933 mm)	2" (51 mm)

SHIPPING DIMENSIONS					
WEIGHT	CLASS	CUBE	HEIGHT	WIDTH	DEPTH
210 lbs (95 kg)	92.5	30 cu. ft.	54" (1372 mm)	30" (762 mm)	32" (813 mm)

APPROXIMATE TOTAL LOAD AMPS	
115/60/1	16.0

OPERATING CAPACITY	
Racks Per Hour	40
Dishes Per Hour	1,000
Glasses Per Hour	1,000

ELECTRICAL REQUIREMENT	
Rinse Booster Tank Heater	2.0 kW
Wash Pump HP	3/4

OPERATING CYCLE	
Wash Cycle (Seconds)	43
Rinse Time (Seconds)	24
Dwell Time (Seconds)	18
Total Cycle (Seconds)	85

WATER REQUIREMENTS	
Gallons Per Hour	46.4 (176 liters)
Flow Rate GPM	6.33 (24 liters)
Flow Pressure (PSI)	15 - 25
Waterline Size (IPS)	1/2"
Drainline Size OD	2"

OPERATING TEMPERATURES	
Wash (Minimum)	120 °F / 49 °C
Wash (Recommended)	140 °F / 60 °C
Tank Capacity	1.16 gals. (4.39 liters)
Wash Pump Capacity (GPM)	61 (231 liters)

SANITIZERS AVAILABLE	
Sodium Hypochlorite	50 PPM
Iodophor	12 PPM

HOW TO SPECIFY - EXAMPLE:
Delta 5

SHIPPING ADDRESS
6209 North U.S. Highway 25E
Gray, KY 40734

MAILING ADDRESS
P. O. Box 1060
Barbourville, KY 40906

Tel: 606-523-9795
Tel: 1-888-800-5672
Fax: 606-523-1799

www.jacksonmsc.com
E-mail: customerservice@jacksonmsc.com
07610-003-61-07 (10/08)

