

Haier

Domestic Dishwasher

DW9-AFM

DW9-AFMS

DW9-AFM ME



NOTICE

Carefully read the instructions contained in this manual, as they provide important information which is essential to safe and proper installation, use and maintenance of the appliance.

CE This appliance complies with the following EEC directives:

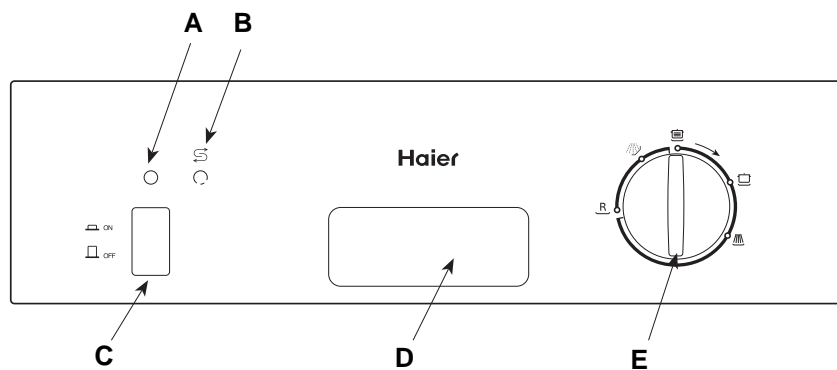
- 73/23/EEC of 19/02/73 (Low Voltage) and subsequent modifications;

- 89/336/EEC of 03/05/89 (Electromagnetic Compatibility) and subsequent modifications.

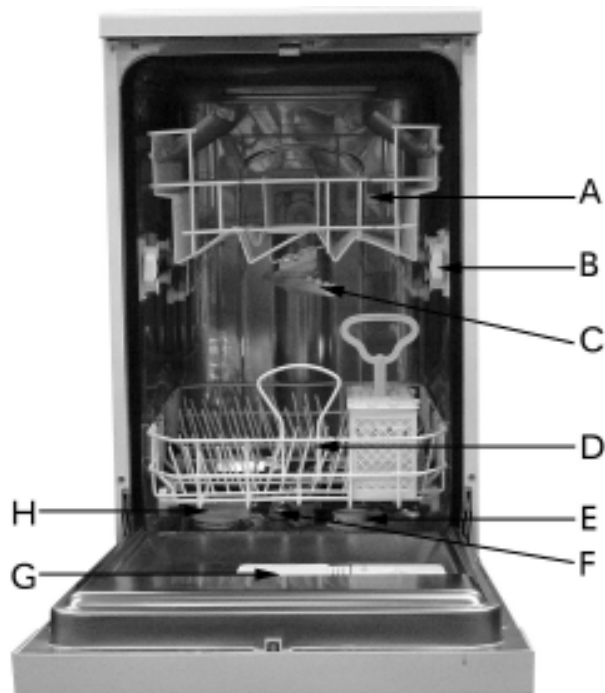
- Carefully dispose of the packing material.
- After removing the packing, check to make sure that the appliance is not damaged. If in doubt, contact a qualified professional.
- The dishwasher must only be used by adults for the washing of household dishes and cooking utensils.
- Fundamental rules to follow when using the appliance:
 - * Never touch the dishwasher when bare foot or with wet hands or feet;
 - * We discourage the use of extension cords and multiple sockets;
 - * During installation, the power supply cord must not be excessively or dangerously bent or flattened;

- * If the appliance is not operating properly or maintenance must be performed, disconnect the appliance from the power supply.
- Keep detergents out of the reach of children, who must also be kept away from the dishwasher when it is open.
- This appliance cannot be installed outdoors, not even if the area in which it is installed is covered by a roof; it is also very dangerous to leave it exposed to the rain and elements.
- Do not touch the heating element during or after a wash cycle.
- Do not lean or sit on the door when it is open, as this could overturn the dishwasher.
- If the appliance malfunctions, turn off water supply to the appliance and disconnect the plug from the wall socket. Then, consult the section entitled, "Troubleshooting". If you can not solve the problem, contact a service centre.
- Only specialised personnel are authorised to make repairs.
- Appliances which are no longer being used must be made inoperable by cutting the power supply cord and removing the door lock.
- The appliance must be positioned so that the plug is accessible.
- The carpet must not obstruct the opening when the appliance installing on the ground with carpet.
- If the supply cord is damaged ,it must be replaced by the manufacture ,its service agent of similarly qualified persons in order to avoid a hazard.

Close-up View (Control Panel)



- | | | | |
|---|--------------------------|---|--------------------------|
| A | ON-OFF Light | D | Handle For Opening Door |
| B | Low Salt Indicator Light | E | Knob For Selecting Cycle |
| C | ON-OFF Button | | |



- A Upper Rack
- B Rack Height Adjustor
- C Top Spray Arm
- D Lower Rack
- E Washing Filter
- F Bottom Spray Arm
- G Detergent and Rinse Aid Dispenser
- H Salt Container Cap

Technical characteristics

Width	45 cm
Depth	60 cm
Height	85 cm
Capacity	9 standard place settings
Mains water pressure	0.03-0.6 MPa
Power voltage	220-240V~ 50Hz
Total absorber power	1900W

Salt

The hardness of the water varies from place to place. If hard water is used in the dishwasher, deposits will form on the dishes utensils.

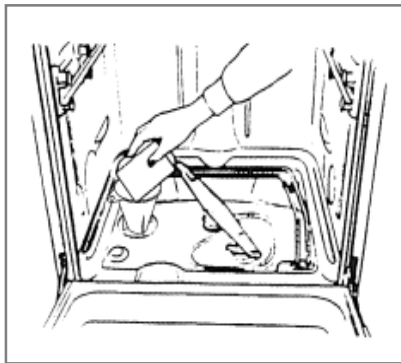
The appliance is equipped with a special softener that uses a salt specifically designed to eliminate lime and minerals from the water.

Loading the Salt into the Softener

Always use salt intended for use with dishwashers.

The salt container is located beneath the lower rack and should be filled as follows:

- Remove the lower rack and then unscrew and remove the cap from the salt container;
- If you are filling the container for the first time, fill it with water;
- Place the end of the funnel (supplied) into the hole and introduce about 2 kg of salt. It is normal for a small amount of water to come out of the container.
- Carefully screw the cap back on.



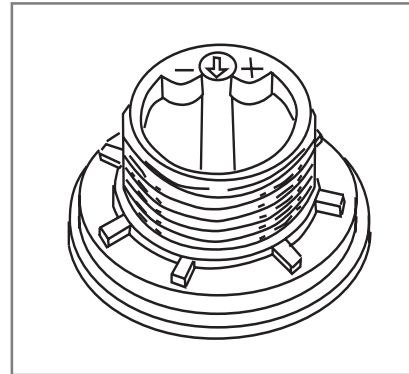
The salt container should be filled after about every 30 wash cycles.

To prevent the formation of rust, load the salt just before beginning a wash cycle.

Adjusting Salt Consumption

The dishwasher is equipped with a system to adjust the level of salt consumption in function of the hardness of the water being used in order to optimize and customize the level of salt consumption while keeping it to a minimum.

To adjust salt consumption level, follow these instructions:



- Unscrew the cap on the salt container;
- On the container there is an arrow (see figure to the side). If necessary, turn the arrow in the anti-clockwise direction from the "-" setting to the "+" setting based on the hardness of the water being used.
- It is highly recommended that the table be consulted when making adjustments .

Water Hardness					
Clarke degrees	°dH	mmol/l	Selector position	Salt consumption (Grams/cycle)	Autonomy (cycles/2kg)
0 ÷ 14	0 ÷ 17	0 ÷ 1,7	/	0	/
14 ÷ 36	18 ÷ 44	1,8 ÷ 4,4	"-"	20	60
36 ÷ 71	45 ÷ 89	4,5 ÷ 8,9	MED	40	40
>71	>89	>8,9	"+"	60	25

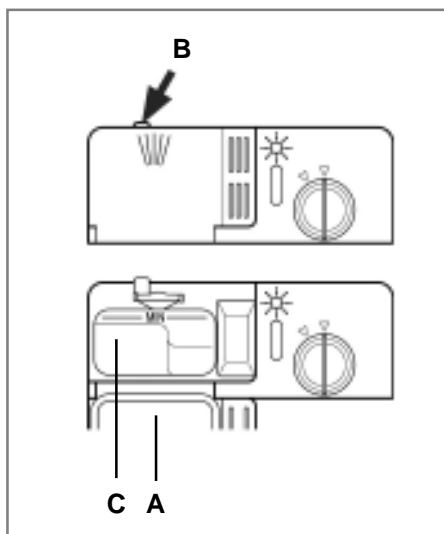
Detergent

Detergent specifically intended for use with dishwashers must be used. The dispenser must be refilled before the start of each wash cycle following the instructions provided in the "Wash Cycle Table". The detergent dispenser is located on the inside panel of the door.

Loading the detergent

To open the "A" cover on the dispenser, press the "B" button. The detergent for the wash cycle should be poured into the "C" compartment.

After the detergent has been placed in the dispenser, close the cover and press down until it clicks in place.



Notice: To facilitate closing the cover, remove any excess detergent on the edges of the dispenser.

Rinse Aid

This product makes dishes sparkle and helps them to dry without spotting. The dispenser is located on the inside panel of the door and should be filled after every 80 wash cycles.

Loading the Rinse Aid

Regardless of the type detergent dispenser installed on your appliance, you must proceed as indicated below when loading the rinse aid.

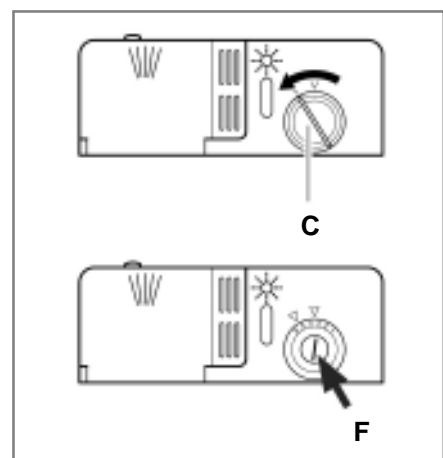
To open the dispenser, turn the "C" cap in the anti-clockwise direction and then pour in the rinse aid, making sure not to overfill. The amount of rinse aid used for each cycle can be regulated by turning the "F" dose adjustor, located beneath the "C" cap, with a screwdriver. There are 6 different settings; the normal dosage setting is 3.

Important:

Proper dosage of the rinse aid improves drying.

If drops of water remain on the dishes or spotting occurs, the dosage adjustor should be turned to a higher setting.

If the dishes have white streaks, turn the dosage adjustor to a lower setting.



Before placing the dishes in the dishwasher, remove the large food particle to prevent the filter from becoming clogged, which results in reduced performance.

If the pots and pans have baked-on food that is extremely hard to remove, we recommend that they be allowed to soak before they are washed. This will eliminate the need for extra wash cycle. Pull out the rack to facilitate loading the dishwasher.

How to Use the Lower Rack

We recommend that you place the items which are the most difficult to clean items on the lower rack: pots, lids, serving dishes and bowls, as shown in the figure to the right.

It is preferable to place serving dishes and lids on the sides of the racks in order to avoid blocking the rotation of the top spray arm.

- Pots, serving bowls, etc. must always be placed face down.
- Deep pots should be slanted to allow the water to flow out.
- The silverware basket can not be doubled (see fig.A) .
- Silverware should be placed in the silverware basket with the handles at the bottom; if the rack has side baskets, the spoons should be located individually into the appropriate slots. Especially long utensils should be placed in the horizontal position at the front of the upper rack.

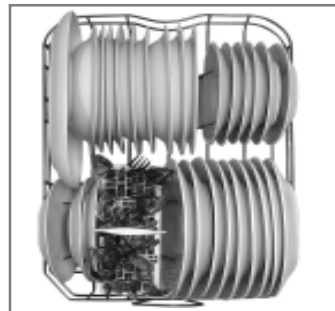
How to Use the Upper Rack

The upper rack is designed to hold more delicate and lighter dishware, such as glasses, coffee and tea cups and saucers, as well as plates, small bowls and shallow pans (as long as they are not too dirty).

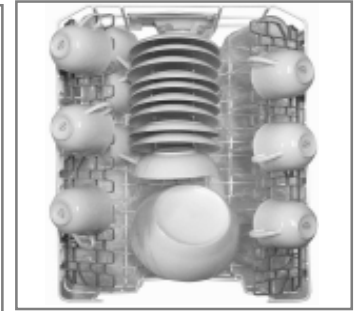
Position the dishes and cookware so that they do not get moved by the spray of water.

The upper rack can be adjusted for height. (See fig.B)

Lower Rack



Upper Rack



Load for 9 Standard Settings



fig.A

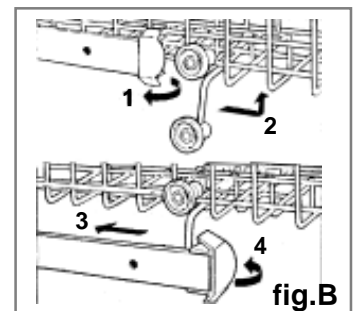


fig.B

Starting a wash cycle...

- Make sure that the plug for the appliance is inserted into the wall socket.
- Make sure that the water supply is turned on to full pressure.
- Load the dishwasher (see the section entitled, "Loading the Dishwasher").
- Pour in the detergent (see the section entitled, "Salt, Detergent and Rinse Aid").
- Turn the knob located on the right of the control panel in the clockwise direction until the number or symbol for the cycle section entitled, "Wash Cycle Table").
- Press the ON-OFF button, and the ON-OFF light will turn on. At this point, the wash cycle will begin.

Important:

In general, it is not advisable to open the door while the machine is working. Care must be taken if the door is opened during the hot phase or immediately after a program has finished as steam may escape.

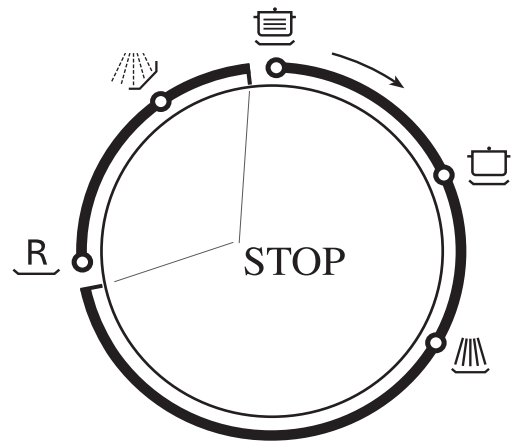
Canceling or modifying a wash cycle setting






Press the ON-OFF button and the ON Light will turn off. Rotate the knob in the clockwise direction to the desired cycle setting (see the section entitled, "Starting a wash cycle..."). Then, turn the dishwasher back on using the ON-OFF button.

At the end of the wash cycle...

When the knob stops turning and is aligned with a STOP mark (see figure), the cycle has finished. Turn off the appliance using the ON-OFF button, turn off the water supply and open the door of the dishwasher.

Wait a few minutes before unloading the dishwasher to avoid handling the dishes and utensils while they are still hot and more susceptible to breakage. They will also dry better.



Cycle	Cycle Selection Information	Description of cycle	Detergent	Rinse Aid
 Heavy Duty	Very dirty dishes,pots and pans (not to be used with delicate items).	Pre-wash with hot water. Extended wash at 55°C . Rinse with cold water. Rinse with hot water. Drying.	30 g	★
 Normal Wash IEC-EN 50242	Normally dirty dishes,pots and pans .Standard daily cycle.	Extended wash at 55°C . Rinse with cold water. Rinse with hot water. Drying.	25+5g	★ (5)
 Rinse	For dishes that need to be rinsed and dried only.	Rinse with cold water. Rinse with hot water. Drying.		★
 Rapid Wash	Economic,fast cycle to be used to on not very dirty dishes right after they are used. No drying cycle.	Short wash at 55°C . Cold rinse.	15 g	
 Soak	Pre-wash of dishes, pots and pans while waiting for the load to be complete after the subsequent meal.	Short cold wash to prevent food residue from drying on the dishes .		

- It is important to try and run the dishwasher when it is fully loaded to save on energy. In order to prevent odors from forming and food from caking onto the dishes, you can run the soak cycle.
- Choose the right wash cycle: the choice of cycle depends on the type of dishware, cookware and utensils being washed and how dirty they are.
- Use the right amount of detergent: if you use too much detergent, the result will not be cleaner dishes, but, rather, a greater negative impact on the environment.
- There is no utility in rinsing dishes, cookware and utensils before placing them in the dishwasher.

How to Keep Your Dishwasher in Shape

After Every Wash

After every wash, turn off the water supply to the appliance and leave the door slightly ajar so that moisture and odors are not trapped inside.

Remove the Plug

Before cleaning or performing maintenance, always remove the plug from the socket. Do not run risks.

No Solvents or Abrasive Cleaning Products

To clean the exterior and rubber parts of the dishwasher, do not use solvents or abrasive cleaning products. Rather, use only a cloth and warm soap water.

To remove spots or stains from the surface of the interior, use a cloth dampened with water and a little white vinegar, or a cleaning products made specifically for dishwasher.

When You Go on Holiday

When you go on holiday, it is recommended that you run a wash cycle with the dishwasher empty and then remove the plug from the socket, turn off the water supply and leave the door of the appliance slightly ajar. This will help the seals last longer and prevent odors from forming within the appliance.

Moving the Appliance

If the appliance must be moved, try to keep it in the vertical position. If absolutely necessary, it can be positioned on its back.

Seals

One of the factors that cause odors to form in the dishwasher is food that remains trapped in the seals. Periodic cleaning with a sponge will prevent this from occurring.

Filter Assembly

For the best performance and results, the filter assembly must be cleaned.

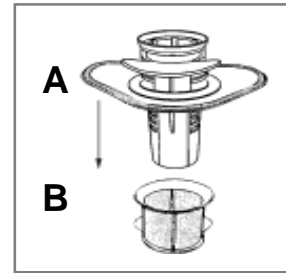
The filter efficiently removes food particles from the wash water, allowing it to be recirculated during the cycle. For this reason, it is a good idea to remove the larger food particles trapped in the filter after each wash cycle by rinsing the "A" semi-circular filter and cup under running water. To remove the filter assembly, pull on the cup handle in the upward direction. The entire filter assembly (made up of the "A" semicircular filter and the "B" fine filter) should be cleaned at least once a month. To clean the filter and the fine filter, use a cleaning brush. Then, reassemble the filter parts as shown in the figures below and reinsert the entire assembly in the dishwasher, positioning in its seat and pressing downward.

The dishwasher must never be used without the filters. Improper replacement of the filters may reduce level of the appliance and damage dishes and utensils.



Cleaning the Spray Arms

It may happen that food particle become encrusted on the sprayer arms and block the hole. Check the sprayer arms periodically and clean them when needed. (See "Close up view [interior]", letters C-E).



Cleaning the Water Inlet Filter

Periodically clean the water inlet filter located on the outlet of the water supply tap.

After turning off the water tap, unscrew the end of the water supply hose, remove the filter and clean it carefully under running water. Then, return the filter to its place and tighten the water supply hose back into position.

Troubleshooting

It may occur that the dishwasher does not function or does not function properly. Before calling for assistance, let us see what can be done first: have you forgotten to press one of the buttons or to perform an essential operation?

The Dishwasher Does Not Start

Have you checked whether:

- the plug is pushed into the socket correctly;
- the power is on in the house;
- the door is closed properly;
- the ON-OFF switch is on "ON";
- the water supply is turned on.

The Dishwasher Does Not Load Water

Have you checked whether:

- the water is turned on and the hose is connected properly;
- the water supply to the house on and has sufficient pressure;
- the water supply hose is crimped or bent;
- the filter for the water supply hose is clogged.

The Dishes Are Not Clean

Have you checked whether:

- the water is turned on and the hose is connected properly;

- the water supply to the house on and has sufficient pressure;
- the water supply hose is crimped or bent;
- the filter for the water supply hose is clogged.

The Dishwasher Does Not Drain

Have you checked whether:

- the drain hose is crimped or bent.

Lime Deposits or a White Film Form on the Dishes

Have you checked whether:

- the lid to the salt container is closed properly;
- the rinse aid dosage is correct.

If, despite all these checks, the dishwasher still does not function and/or the problem persists, contact the nearest authorised service centre and provide them with the following information:

- the nature of the problem;
- the model type number (Mod...) And the serial number (S/N...), which are indicated on the plate located on the side of the inner part of the door.

Never call on unauthorised technicians and refuse to allow parts to be installed that are not original spare parts.

Positioning the Appliance

Position the appliance in the desired location. The back should rest against the wall behind it, and the sides, along the adjacent cabinets or wall. The dishwasher is equipped with water supply and drain hoses that can be positioned to the right or the left to facilitate proper installation.

Levelling the Appliance

Once the appliance is positioned, adjust the feet (screwing them in or out) to adjust the dishwasher, making it level. In any case, the appliance should not be inclined more than 2°. If the appliance is level, it will help ensure proper performance.

Cold Water Connection

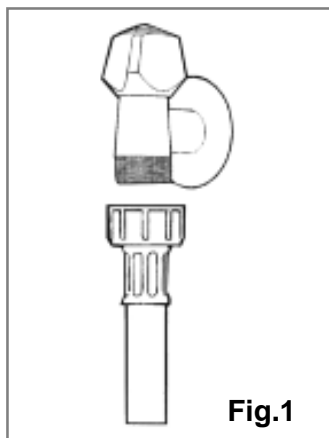
Connect the cold water supply hose to a threaded 3/4 (gas) connector and make sure that it is fastened tightly in place (see fig.1). If the water pipes are new or have not been used for an extended period of time, let the water run to make sure that the water is clear and free of impurities. If this precaution is not taken, there is a risk that the water inlet can get blocked and damage the appliance.

Hot Water Connection

The water supply to the appliance can also be connected to the house's hot water line (centralised system, heating system), as long as it does not exceed a temperature of 60°C.

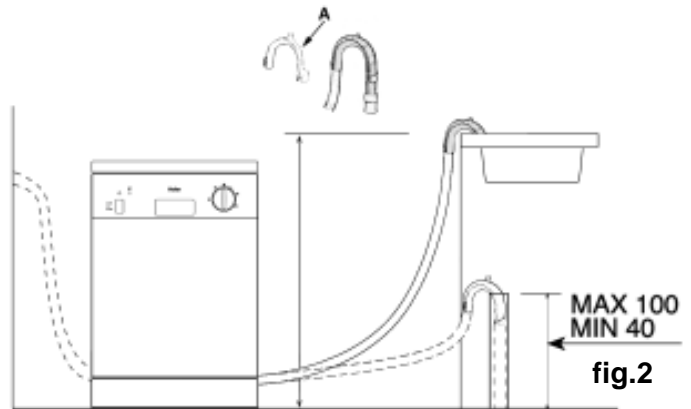
In this case, the wash cycle time will be shortened by about 15 minutes and the wash efficiency slightly reduced.

The connection must be made to the hot water line following the same procedures as those for the connection to the cold water line.



Drain Hose Connection

Insert the drain hose into a drain pipe with a minimum diameter of 4cm, or let it run into the sink, making sure to avoid bending or crimping it. Use the special plastic support that comes with the appliance (see fig.2). The free end of the hose must be at a height between 40 and 100 cm and must not be immersed in water.



Attention:


The special plastic hose support must be solidly fastened to the wall to prevent the drain hose from moving and allowing water to spill outside the drain.

Electrical Connection

After making sure that the voltage and frequency values for the current in the home correspond to those on the rating plate (located on the stainless steel inner door of the appliance) and that the electrical system is sized for the maximum voltage on the rating plate, insert the plug into an electrical socket which is earthed properly (the earthing of the appliance is a safety requirement mandated by law).

If the electrical socket to which the appliance must be connected is not appropriate for the plug, replace the plug, rather than using adaptors or the like as they could cause overheating and burns.



The symbol  on the product or on its packaging indicates that this product may not be treated as household waste. Instead it shall be handed over to the applicable collection point for the recycling of electrical and electronic equipment. By ensuring this product is disposed of correctly, you will help prevent potential negative consequences for the environment and human health, which could otherwise be caused by inappropriate waste handling of this product.

For more detailed information about recycling of this product, please contact your local city office, your household waste disposal service or the shop where you purchased the product.

HINWEIS

Lesen Sie bitte die Bedienungsanleitung aufmerksam durch, da sie wichtige Angaben über die Installation, Anwendung und Wartung des Gerätes enthält.

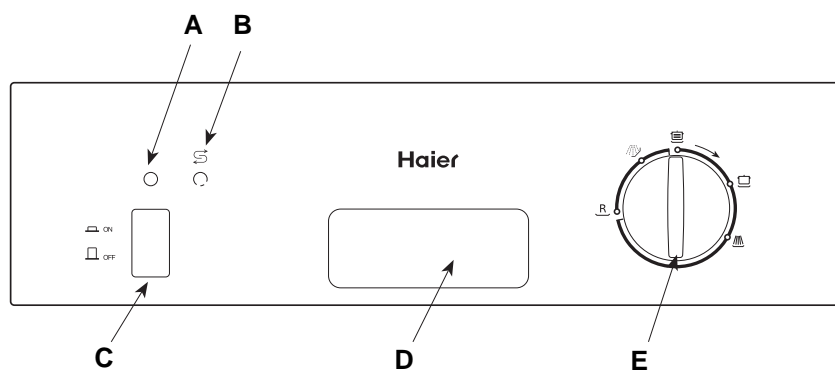


Dieses Gerät entspricht den folgenden EURichtlinien:

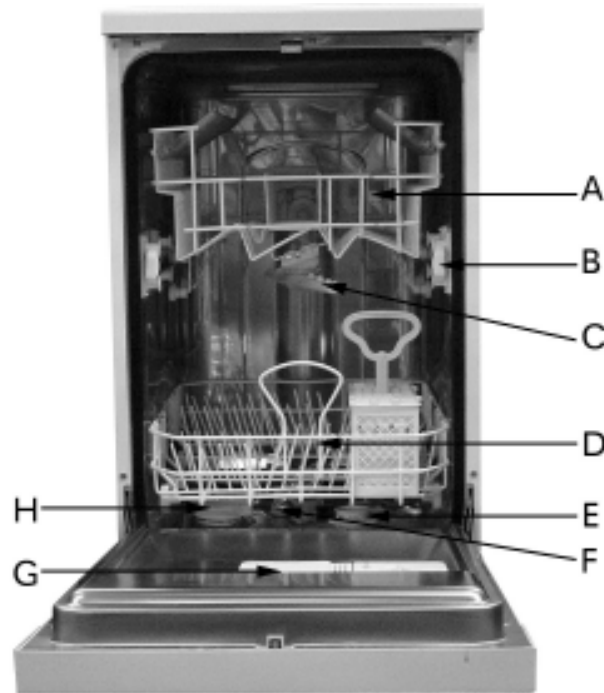
- **73/23/EWG vom 19. Februar 1973 (Niedrigspannung) sowie späteren Änderungen;**
- **89/336/EWG vom 3. Mai 1989 (EMV) sowie späteren Änderungen.**
- Bitte sorgen Sie für eine vorschriftsmäßige Entsorgung des Verpackungsmaterials.
- Stellen Sie sicher, dass das Gerät während des Transports nicht beschädigt wurde. Im Zweifelsfalle wenden Sie sich bitte an einen qualifizierten Techniker.
- Der Geschirrspüler ist nur zum Spülen von Haushalts- und Kochgeschirr gedacht und sollte nur von Erwachsenen benutzt werden.
- Kinder oder gebrechliche Personen sollten dieses Gerät nicht ohne Beaufsichtigung benutzen.
- Eine Beaufsichtigung von Kindern bei der Benutzung des Gerätes ist erforderlich, damit sie nicht mit dem Geschirrspüler spielen.
- Halten Sie Kinder immer von Spülmitteln und dem offenen Geschirrspüler fern.
- Das Gerät darf nicht im Freien aufgestellt werden, selbst wenn es unter einem Dach steht; es ist außerdem gefährlich, den Geschirrspüler Witterungseinflüssen einschließlich Regen auszusetzen.
- Berühren Sie niemals die Heizelemente während oder nach einem Spülzyklus.

- Lehnen Sie oder setzen Sie sich niemals auf die offene Tür, da der der Geschirrspüler dadurch umgeworfen werden kann.
- Lehnen Sie oder setzen Sie sich niemals auf die offene Tür, da der der Geschirrspüler dadurch umgeworfen werden kann.
- Bei Störungen am Gerät müssen Sie immer sofort die Wasserversorgung zum Gerät abstellen und den Stecker aus der Steckdose ziehen. Ziehen Sie dann den Abschnitt "Störungssuche" zu Rate. Wenn Sie das Problem nicht selbst lösen können, wenden Sie sich bitte an Ihre Kundendienststelle.
- Der Geschirrspüler darf nur von geschultem Fachpersonal repariert werden.
- Geräte, die fortgeworfen werden sollen, müssen vorher unbrauchbar gemacht werden, indem das Stromkabel abgeschnitten und das Türschloss entfernt wird.
- Wenn die Anschlussleitung dieses Gerätes beschädigt wird, muss sie durch den Hersteller oder seinen Kundendienst oder eine ähnlich qualifizierte Person ersetzt werden, um Gefährdungen zu vermeiden.
- Der Stecker muss nach der Installation zugänglich sein.
- Bitte beachten Sie die folgenden Vorschriften für den Einsatz dieses Gerätes:
 - * Berühren Sie den Geschirrspüler niemals nicht mit feuchten Händen oder Füßen.;
 - * Verwenden Sie niemals Verlängerungskabel oder Vielfachstecker;
 - * Das Stromversorgungskabel darf bei der Installation niemals zu stark oder gefährlich verbogen oder abgeflacht werden;
 - * Trennen Sie immer das Gerät von der Stromversorgung ab, wenn es nicht vorschriftsmäßig funktioniert oder gewartet werden muss. Zur Erhaltung der **LEISTUNGSFÄHIGKEIT** und **SICHERHEIT** des Gerätes empfehlen wir folgendes:
 - Wenden Sie sich immer nur an die vom Hersteller empfohlenen Kundendienststellen.
 - Verwenden Sie immer nur Originalersatzteile

Ansicht, Bedienfeld



- | | |
|-----------------------------------------------------------------------------------------|------------------------------------------------------------------|
| <p>A Leuchte ON-OFF</p> <p>B Leuchte, zu wenig Regeneriersalz</p> <p>C Taste ON-OFF</p> | <p>D Griff zum Öffnen der Tür</p> <p>E Programm-Auswahltaete</p> |
|-----------------------------------------------------------------------------------------|------------------------------------------------------------------|



- | | | | |
|---|----------------------|---|----------------------------------------------|
| A | Oberkorb | E | Spülfilter |
| B | Korbhöheneinstellung | F | Unterer Sprüharm |
| C | Oberer Sprüharm | G | Behälter für Reinigungsmittel und Klarspüler |
| D | Unterkorb | H | Deckel, Regeneriersalz |

Technische Daten

Breite	45cm
Tiefe	60cm
Höhe	85cm
Fassungsvermögen	9 Maßgedecke
Leitungswasserdruck	0.03-0.6 MPa
Stromspannung	220-240V~50Hz
Strombelastung insgesamt	1900W

Regeneriersalz

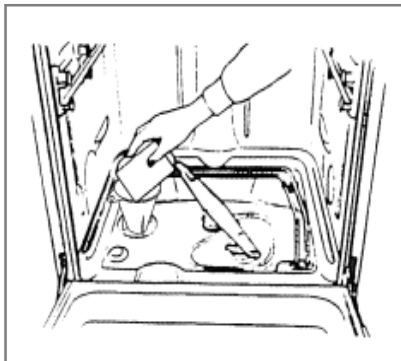
Die Härte des Wassers ist von Ort zur Ort unterschiedlich. Wenn hartes Wasser für Ihren Geschirrspüler verwendet wird, können sich kalksteinartige Ablagerungen auf dem Geschirr bilden.

Das Gerät verwendet spezielle Wasserenthärter mit einem Salz, das Kalkstein und Mineralien aus dem Wasser entfernt.

Salz in Wasserenthärter geben

Verwenden Sie immer nur für Geschirrspüler bestimmtes Regeneriersalz. Der Salzbehälter befindet sich unter dem Unterkorb. Er muss wie folgt gefüllt werden:

- Nehmen Sie den Unterkorb heraus und schrauben Sie den Deckel vom Salzbehälter ab.
- Wenn Sie den Behälter das erste Mal füllen, füllen Sie ihn mit Wasser.
- Setzen Sie das Ende des mitgelieferten Trichters in das Loch und geben Sie etwa 2 kg Salz ein. Es ist normal, dass eine kleine Menge Wasser aus dem Salzbehälter fließt.
- Schrauben Sie den Deckel wieder auf.



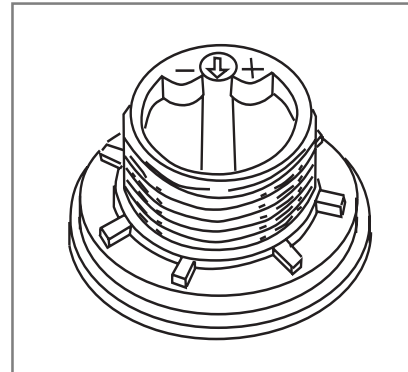
Der Salzbehälter muß je nach jeweils 30 Spülgängen neu aufgefüllt werden.

Um einer Rostbildung vorzubeugen, füllen Sie das Salz kurz vor Beginn eines Spülprogramms ein.

Salzverbrauch einstellen

Je nach Härte des benutzten Wassers kann der Regeneriersalzverbrauch an diesem Geschirrspüler eingestellt werden. Dadurch wird der Regeneriersalzverbrauch optimiert und genau auf den Verbrauch abgestimmt, sodass er so niedrig wie möglich ist. Das örtliche Wasserwerk kann Ihnen die erforderlichen Angaben über die Wasserhärte in Ihrer Gegend geben.

Zur Einstellung der Regeneriersalzmenge gehen Sie wie folgt vor:



- Schrauben Sie den Deckel vom Salzbehälter ab.
- Auf dem Behälter befindet sich ein Ring mit einem Pfeil (siehe Abbildung an der Seite).
- Drehen Sie den Ring, wenn erforderlich, von der Einstellung "-" nach links in Richtung "+", je nach Wasserhärte.

Es wird empfohlen, diese Einstellungen in Übereinstimmung mit den folgenden Angaben vorzunehmen:

Wasserhärte						
Niveau	°fH	°dH	mmol/l	Positionswähler	Salzverbrauch- (g r a m m / spülgang)	Reichweite (Spülgänge/2 kg)
1	0 ÷ 10	0 ÷ 17	0 ÷ 1,7	/	0	/
2	10 ÷ 25	18 ÷ 44	1,8 ÷ 4,4	"-"	20	60
3	25 ÷ 50	45 ÷ 89	4,5 ÷ 8,9	MED	40	40
4	>50	>89	>8,9	"+"	60	25

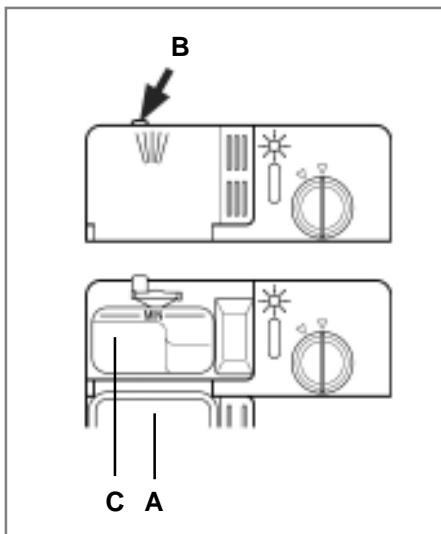
Geschirrspülmittel

Verwenden Sie immer nur Spülmittel, die speziell für Geschirrspüler entwickelt wurden. Füllen Sie den Behälter vor Beginn eines jeden Spülprogramms und folgen Sie dabei den Anweisungen, die in der Spülprogrammtabelle beschrieben werden. Der Spülmittelbehälter befindet sich auf der Innenseite der Tür.

Spülmittel eingeben

Öffnen Sie den Deckel "A" des Behälters und drücken Sie auf Taste "B". Geben Sie das Spülmittel für das Spülprogramm in den Behälter "C".

Nach dem Einfüllen des Spülmittels schließen Sie den Deckel und drücken auf ihn, bis er an Ort und Stelle einrastet.



Hinweis:

Um den Deckel leichter schließen zu können, entfernen Sie das überschüssige Spülmittel von den Behälterkanten.

Klarspüler

Der Klarspüler sorgt dafür, dass das gespülte Geschirr glänzt und ohne Fleckenbildung trocknet. Der Behälter befindet sich auf der Innenseite der Tür; er muss nach etwa 80 Spülprogrammen aufgefüllt werden.

Klarspüler einfüllen

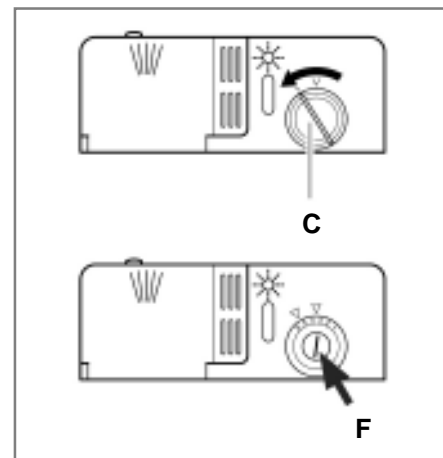
Ohne Rücksicht auf den Typ des Reinigerbehälter an Ihrem Gerät, müssen Sie beim Einfüllen des Klarspülers wie folgende durchführen.

Öffnen Sie den Behälter, indem Sie den Deckel "C" nach links drehen. Füllen Sie genügend Klarspüler nach, ohne den Behälter zu überfüllen. Die für jedes Programm erforderliche Klarspülermenge lässt sich einregeln, indem Sie den Dosierer "F" unter dem Deckel "C" mit einem Schraubendreher einstellen. Es sind 6 verschiedene Einstellungen möglich; die Einstellung für eine normale Dosierung ist 3.

Wichtig

Die richtige Dosierung des Klarspülers verbessert die Trocknungsergebnisse. Wenn Wassertropfen auf dem Geschirr verbleiben oder eine Fleckenbildung auftritt, muss eine höhere Dosiereinstellung gewählt werden.

Wenn das Geschirr weiße Streifen zeigt, müssen Sie eine niedrigere Dosiereinstellung wählen.



Bevor Sie das Geschirr in die Maschine laden, entfernen Sie zunächst alle größeren Speisereste, um eine Filterblockierung zu vermeiden, die die Spülleistung verringern würde.

Festgebackene Speisereste an Töpfen und Pfannen sind sehr schwer zu entfernen; wir empfehlen daher ein Einweichen solcher Teile vor dem Spülen. Dadurch werden zusätzliche Spülabläufe überflüssig.

Ziehen Sie den Korb heraus, um das Laden des Geschirrspülers zu erleichtern.

Benutzung des Unterkorbs

Wir empfehlen, dass Sie die am schwierigsten zu spülenden Teile auf den Unterkorb laden: Töpfe, Pfannen, Deckel, Serviergeschirr und Schüsseln (siehe Abbildung rechts).

Es ist außerdem empfehlenswert, Serviergeschirr und Deckel an den Seiten des Korbs aufzustellen, damit sie nicht die Drehung des oberen Sprühdarms behindern.

- Töpfe, Servierschüsseln usw. müssen immer mit der Unterseite nach oben geladen werden.
- Tiefe Töpfe müssen schräggestellt werden, damit das Wasser ablaufen kann.
- Legen Sie das Besteck in den Besteckkorb mit den Griffen nach unten. Wenn dieser Korb mit Seitenkörben versehen ist, werden die Löffel einzeln in die entsprechenden Schlitze gegeben. Besonders lange Teile müssen waagrecht vorne in den Oberkorb gelegt werden.

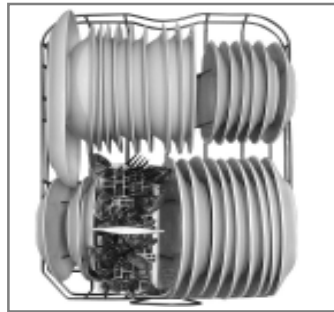
Benutzung des Oberkorbs

Alle kleineren, leichteren oder empfindlicheren Teile wie Gläser, Kaffee- und Teetassen, Untertassen, Teller, kleine Schüsseln und niedrige Töpfe kommen in den Oberkorb, wenn sie nicht zu schmutzig sind).

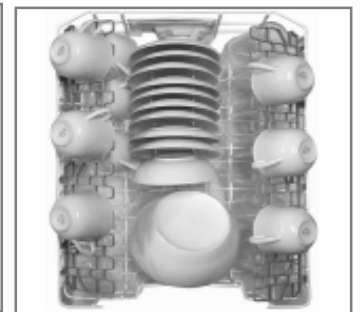
- Laden Sie das Geschirr immer so ein, dass es nicht durch das sprühende Wasser verschoben wird.

Die Höhe des Oberkorbes ist einstellbar (siehe Abb.B).

Unterkorbs



Oberkorbs



Beladung mit 9 Maßgedecken



Abb.A

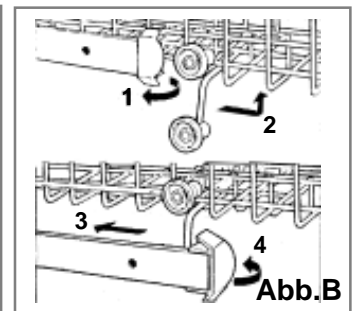


Abb.B

Ein Spülprogramm starten

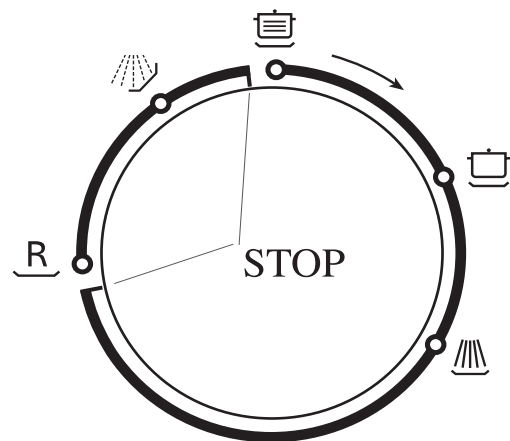
- Stellen Sie sicher, dass der Gerätestecker in der Wandsteckdose steckt.
- Kontrollieren Sie, dass der Wasseranschluss voll geöffnet ist.
- Laden Sie den Geschirrspüler (siehe Abschnitt "Geschirrspüler beladen").
- Füllen Sie das Spülmittel ein (siehe Abschnitt "Salz, Reinigungsmittel und Klarspüler").
- Drehen Sie den Knopf auf der rechten Seite des Bedienfeldes nach rechts auf die gewünschte Programmnummer oder das entsprechende Symbol (siehe Abschnitt "Spülprogrammtabelle").
- Drücken Sie die Taste ON-OFF; die entsprechende Anzeige leuchtet auf. Das Spülprogramm wird gestartet.






Unterbrechung oder Änderung eines Spülprogramms

Drücken Sie die Taste ON-OFF; die Anzeige ON leuchtet auf. Drehen Sie den Knopf im Uhrzeigersinn bis zum gewünschten Spülprogramm (siehe Abschnitt "Ein Spülprogramm starten"). Schalten Sie das Gerät mit der Taste ON-OFF wieder an.

Ende des Spülprogramms

Sobald sich der Einstellknopf nicht mehr dreht und die Position STOP erreicht hat (siehe Abbildung), ist das Programm beendet. Schalten Sie das Gerät mit der Taste ON-OFF ab, schließen Sie den Wasserhahn und Öffnen Sie die Tür des Geschirrspülers. Warten Sie ein paar Minuten, bevor Sie das Geschirr ausladen, da es zu Beginn noch sehr heiß ist. In diesem Zustand kann das Geschirr wesentlich leichter zerbrechen. Außerdem trocknet das Geschirr so besser.



Programm	Programmwahl Informationen	Programmbeschreibung	Geschirrspülmittel	Klarspüler
 Starkspülprogramm	Geschirr, Töpfe und Pfannen stark verschmutzt (nicht für delikateren Teile verwendbar).	Vorspülgang mit kaltem Wasser. Längerer Spülablauf mit 55 °C. Mit kaltem Wasser klarspülen. Mit heißem Wasser klarspülen. Trocknen.	30 g	★
 Normalspülprogramm (IEC-EN50242)	Geschirr, Töpfe und Pfannen normal verschmutzt. Übliches tägliches Spülen.	Längerer Spülablauf mit 55 °C. Mit kaltem Wasser klarspülen. Mit heißem Wasser klarspülen. Trocknen.	25+5g	★ (5)
 Nachspülen	Geschirr, das nur nachgespült und getrocknet werden soll.	Mit kaltem Wasser klarspülen. Mit heißem Wasser klarspülen. Trocknen.		★
 Glasgeschirr	Sparprogramm für nicht stark verschmutztes Geschirr sofort nach dem Gebrauch. Sofort nach Gebrauch des Geschirrs verwenden.	Spülen mit 55 °C. Nachspülen mit heißem Wasser.	15 g	
 Einweichen	Vorspülen von Geschirr, Töpfen und Pfannen, während man darauf wartet, dass die Ladung nach der nächsten Mahlzeit vervollständigt wird.	Kurzes Kaltspülprogramm, damit Speisereste nicht auf dem Geschirr antrocknen.		

- Am besten lassen Sie den Geschirrspüler laufen, wenn er voll beladen ist, um Energie zu sparen. Um eine Geruchbildung und ein Festbacken von Speiseresten zu vermeiden, können Sie das Kaltspülprogramm verwenden.
- Wählen Sie das richtige Spülprogramm. Die Wahl hängt von der Art des zu spülenden Geschirrs usw. und auch vom Grad der Verschmutzung ab.
- Verwenden Sie immer die richtige Spülmittelmenge. Wenn Sie zuviel Spülmittel verwenden, wird das Geschirr nicht sauberer, aber Sie belasten die Umwelt stärker.
- Es bringt keinen Vorteil, das Geschirr, Töpfe, Besteck usw. vor dem Laden in den Geschirrspüler vorzuspülen.

So bleibt Ihr Geschirrspüler in Form

Nach jedem Spülablauf

Drehen Sie den Wasserhahn nach jedem Spülablauf zu und lassen Sie die Tür leicht geöffnet, damit Feuchtigkeit und Gerüche aus dem Geschirrspüler entweichen können.

Ziehen Sie den Stecker heraus.

Vor dem Reinigen oder der Durchführung von Wartungsarbeiten muss der Stecker immer aus der Steckdose gezogen werden. Vermeiden Sie alle unnötigen Risiken.

Verwenden Sie keine Lösungs- oder Scheuermittel.

Verwenden Sie zum Reinigen der Außen- und Gummiteile des Geschirrspülers keine Lösungs- oder Scheuermittel. Verwenden Sie immer nur ein Tuch mit warmem Seifenwasser.

Um Flecken von der Oberfläche im Innenraum zu entfernen, verwenden Sie am besten ein Tuch, das mit Wasser und ein wenig Essig befeuchtet wurde, oder ein Spezialreinigungsmittel für Geschirrspüler.

Umstellen des Geschirrspülers

Versuchen Sie, den Geschirrspüler aufrecht zu halten, wenn Sie ihn umstellen wollen. Er kann auf die Rückseite gelegt werden, wenn es absolut unumgänglich ist.

Dichtungen

Eine der Ursachen für eine Geruchbildung im Geschirrspüler sind in den Dichtungen zurückgebliebene Speisereste. Ein regelmäßiges Reinigen mit einem Schwamm kann als Vorbeugung dienen.

Wenn Sie Ferien machen

Wenn Sie auf Urlaub gehen, wird empfohlen, dass Sie vorher ein Spülprogramm mit leerer Maschine durchführen; ziehen Sie dann den Stecker aus der Steckdose, drehen Sie den Wasserhahn zu und lassen Sie die Tür des Geschirrspülers leicht geöffnet. Die Dichtungen halten so länger; außerdem wird eine Geruchbildung im Geschirrspüler vermieden.

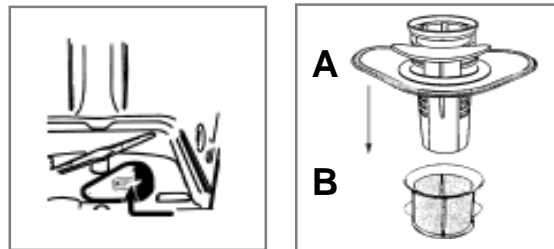
Filtergruppe

Zur Gewährleistung der optimalen Leistung und Ergebnisse muss die Filtergruppe saubergehalten werden.

Die Filtergruppe sorgt für ein leistungswirksames Ausfiltern von Speiseresten aus dem Spülwasser, das während des Spülprogramms umlaufen kann. Aus diesem Grunde ist es ratsam, größere Speisereste, die sich am Filter festsetzen, nach jedem Spülablauf zu entfernen, indem Sie das halbrunde Filterelement und den Behälter (A) unter fließendem Wasser ausspülen. Zum Ausbau der Filtergruppe ziehen Sie am Behältergriff nach oben. Die gesamte Filtergruppe (bestehend aus dem halbrunden Filter (A) und dem Feinfilter (B)) muss mindestens einmal pro Monat gereinigt werden. Verwenden Sie zum Reinigen des Filters einschließlich des Feinfilters eine Zahnbürste. Setzen Sie dann die Filterteile gemäß nachstehender Abbildung wieder zusammen und bauen Sie die ganze Baugruppe wieder im Geschirrspüler ein. Richten Sie die Filtergruppe in der Maschine aus und drücken Sie sie nach unten. Der Geschirrspüler darf niemals ohne die Filter verwendet werden. Ein fehlerhafter Austausch der Filter kann die Leistungsfähigkeit des Gerätes beeinträchtigen und das Geschirr beschädigen.

Reinigung der Sprüharme

Es kann vorkommen, dass sich Speisereste an den Sprüharmen verkrusten und die Löcher blockieren (siehe Abbildung Innenraum, Buchstaben C-F). Prüfen Sie die Sprüharme regelmäßig und reinigen Sie sie, wenn erforderlich.



Reinigung des Wassereinflussfilters

Reinigen Sie periodisch den Wassereinflussfilter, der auf dem Auslass des Wasserhahns liegt. Nach der Schließung des Wasserhahns drehen Sie das Ende des Wasserschlauchs heraus. Entfernen Sie den Filter und reinigen Sie ihn vorsichtig mit auflaufendem Wasser. Dann setzen Sie den Filter und den Wasserschlauch zurück.

Störungssuche

Es kann vorkommen, dass der Geschirrspüler nicht richtig oder überhaupt nicht funktioniert. Bevor Sie einen Mechaniker oder den Kundendienst anrufen, überprüfen Sie selbst die Maschine. Vielleicht haben Sie vergessen, einen der Knöpfe zu drücken oder einen wichtigen Schritt durchzuführen.

Der Geschirrspüler startet nicht

Überprüfen Sie, ob:

- der Stecker richtig in der Steckdose sitzt;
- der Rest des Haushalts Strom hat;
- die Tür richtig geschlossen ist;
- der Schalter ON-OFF auf "ON" steht;
- die Wasserversorgung aufgedreht ist.

Der Geschirrspüler füllt sich nicht mit Wasser

Überprüfen Sie, ob:

- die Wasserversorgung aufgedreht und der Schlauch richtig angeschlossen ist;
- die Wasserversorgung im Haus in Ordnung ist und genügend Druck hat;
- der Wasserversorgungsschlauch eingeklemmt oder verbogen ist;
- das Filter für den Wasserversorgungsschlauch blockiert ist.

Das Geschirr wird nicht sauber

Überprüfen Sie, ob:

- die Wasserversorgung aufgedreht und der Schlauch richtig

angeschlossen ist;

- die Wasserversorgung im Haus in Ordnung ist und genügend Druck hat;
- der Wasserversorgungsschlauch eingeklemmt oder verbogen ist;
- das Filter für den Wasserversorgungsschlauch blockiert ist.

Das Spülwasser läuft nicht ab

Überprüfen Sie, ob:

- der Ablassschlauch eingeklemmt oder verbogen ist;
- Kalksteinflecken oder weißer Film auf dem Geschirr
- der Deckel des Salzbehälters richtig geschlossen ist;
- die richtige Klarspülermenge verwendet wird.

Wenn die Störung nach den vorstehend beschriebenen Kontrollen weiterhin bestehen bleibt oder erneut auftritt, rufen Sie bitte Ihre nächste Kundendienststelle an. Halten Sie folgende Informationen bereit:

- Art des Problems;
- Modelltypnummer (Mod...) und Seriennummer (S/N...), die auf einem Schild an der Seite des Innenteils der Tür zu finden sind.

Lassen Sie niemals Arbeiten von nicht autorisierten Arbeitskräften durchführen und stellen Sie sicher, dass nur Originalersatzteile verwendet werden.

Aufstellen des Geschirrspülers

Stellen Sie den Geschirrspüler an der gewünschten Stelle auf. Die Rückseite soll an einer Wand stehen; die Seiten werden an danebenstehenden Schränken oder einer Wand ausgerichtet. Der Geschirrspüler ist mit Wasserversorgungs- und Ablassschläuchen ausgestattet, die rechts oder links angebracht werden, um eine richtige Installation zu gewährleisten.

Nivellieren der Maschine

Wenn der Geschirrspüler an der gewünschten Stelle aufgestellt ist, stellen Sie die FüÙe ein (nach unten oder oben), bis die Maschine gerade steht. Auf keinen Fall darf der Geschirrspüler um mehr als 50,8 mm geneigt sein. Ohne eine gute Nivellierung der Maschine kann der Geschirrspüler nicht optimal arbeiten.

Kaltwasseranschluss

Schließen Sie den Kaltwasserschlauch an einem 3/4 (Gas-) Anschluss an und stellen Sie sicher, dass er gut gesichert ist (siehe Abb.1).

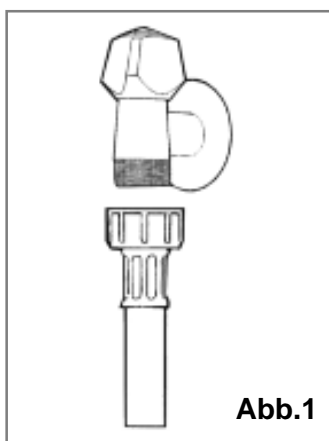
Wenn die Wasserleitungen neu sind oder lange Zeit nicht benutzt wurden, lassen Sie das Wasser eine Zeitlang laufen, bis es klar ist und keine Unreinheiten zeigt. Wenn diese Vorsichtsmaßnahme nicht getroffen wird, besteht Gefahr, dass der Wassereinlass blockiert und das Gerät beschädigt wird.

Heißwasseranschluss

Die Wasserversorgung zum Geschirrspüler kann auch am Heißwassersystem des Haushalts angeschlossen werden (Zentralheizung), solange die Temperatur 60 °C nicht überschreitet

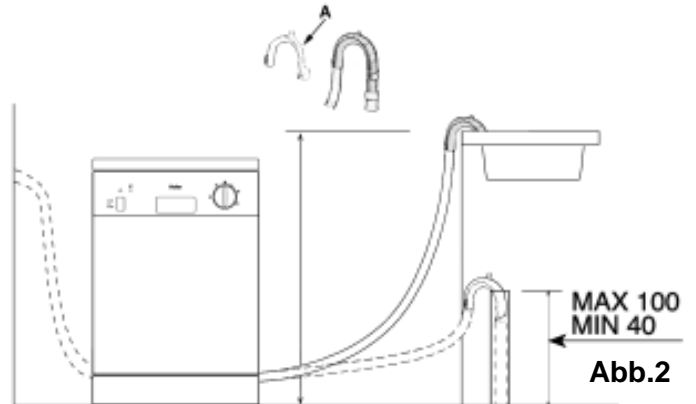
In einem solchen Fall wird die Spülprogrammzeit um etwa 15 Minuten verkürzt und die Spüleistung leicht herabgesetzt.

Der Anschluss an die Heißwasserleitung muss nach dem gleichen Verfahren durchgeführt werden, wie es für die Kaltwasserleitung Einsatz fand.



Ablassschlauchanschluss

Schieben Sie den Ablassschlauch in ein Ablassrohr mit mindestens 4 cm Durchmesser oder lassen Sie das Wasser in das Spülbecken ablaufen. Stellen Sie sicher, dass der Schlauch nicht verbogen oder eingeklemmt ist. Verwenden Sie die spezielle Kunststoffhalterung, die mit dem Geschirrspüler geliefert wird (siehe Abb. 2). Das freie Ende des Schlauchs muss mindestens 40 bis 100 cm hoch liegen und darf nicht in Wasser eingetaucht sein.



Achtung:

Die spezielle Kunststoffhalterung für den Schlauch muss vollkommen sicher an der Wand befestigt werden, damit sich der Ablassschlauch nicht bewegen kann, sodass das Wasser ohne Verspritzen abläuft.

Elektrischer Anschluss


Stellen Sie zunächst sicher, dass die Spannungs- und Frequenzwerte in Ihrem Haushalt mit denen auf dem Typenschild (auf der Stahlentür des Gerätes) übereinstimmen und dass die Stromversorgung der Höchstspannung auf dem Typenschild entspricht. Stecken Sie dann den Stecker in eine vorschriftsmäßig geerdete Steckdose. (Die Erdung des Gerätes ist eine gesetzlich vorgeschriebene Schutzmaßnahme.)

Wenn sich die Steckdose, an der das Gerät angeschlossen werden soll, nicht für den Stecker eignet, tauschen Sie am besten den Stecker aus, anstatt Zwischenstecker zu verwenden, die Überhitzen und Brandstellen verursachen können.

Oberkorb Unterkorb

Der Anschluss an die Heißwasserleitung muss nach dem gleichen Verfahren durchgeführt werden, wie es für die Kaltwasserleitung Einsatz fand.



Das Symbol  auf dem Produkt oder seiner Verpackung weist darauf hin, dass dieses Produkt nicht als normaler Haushaltsabfall zu behandeln ist, sondern an einem Sammelpunkt für das Recycling von elektrischen und elektronischen Geräten abgegeben werden muss. Durch Ihren Beitrag zum korrekten Entsorgen dieses Produkts schützen Sie die Umwelt und die Gesundheit Ihrer Mitmenschen. Umwelt und Gesundheit werden durch falsches Entsorgen gefährdet.

Weitere Informationen über das Recycling dieses Produkts erhalten Sie von Ihrem Rathaus, Ihrer Müllabfuhr oder dem Geschäft, in dem Sie das Produkt gekauft haben.

AVIS

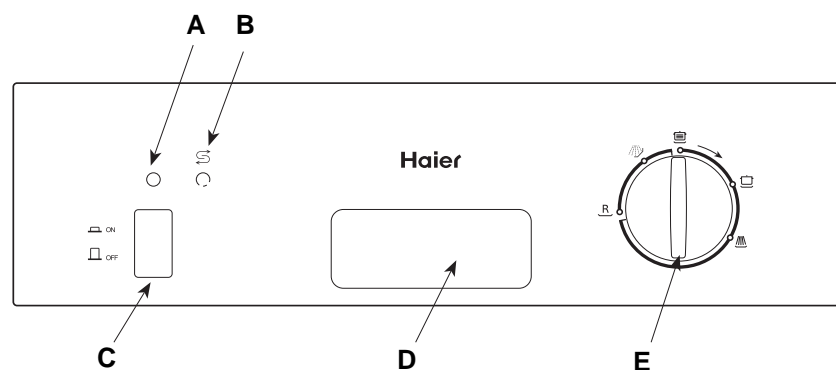
Nous vous invitons à lire attentivement les instructions contenues dans ce manuel car elles vous fourniront des informations importantes pour installer, utiliser et entretenir votre appareil de façon correcte et en toute sécurité.

C Cet appareil est conforme aux Directives CEE :

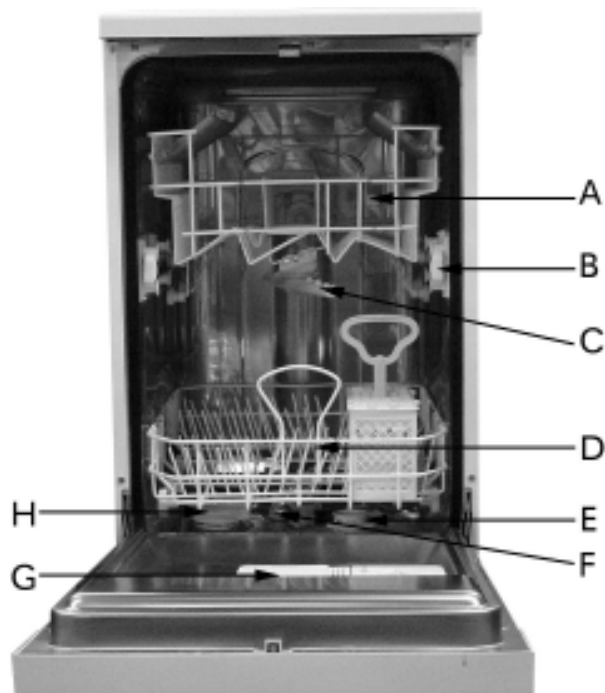
- 73/23/CEE du 19 février 1973 (Basse tension) et modifications successives ;
- 89/336/CEE du 3 mai 1989 (Compatibilité électromagnétique) et modifications successives.
- Déballez l'appareil avec soin.
- Ensuite, assurez-vous qu'il n'a pas été endommagé pendant le transport. En cas de doute, adressez-vous à un professionnel qualifié.
- Le lave-vaisselle doit être utilisé exclusivement par des adultes, pour laver de la vaisselle et des ustensiles de cuisson.
- Règles essentielles qu'il convient d'observer au moment d'utiliser l'appareil :
 - * Ne touchez jamais le lave-vaisselle lorsque vous êtes pieds nus ou lorsque vos mains ou vos pieds sont mouillés.
 - * L'utilisation de rallonges et de prises multiples est à proscrire.
 - * Au cours de l'installation, assurez-vous que le cordon d'alimentation n'est pas plié ou écrasé de façon excessive, ce qui pourrait être dangereux.

- * Si l'appareil ne fonctionne pas correctement ou si l'entretien doit être effectué, débranchez l'appareil.
- Conservez les détergents hors de portée des enfants. Tenez les enfants à l'écart du lave-vaisselle lorsque celui-ci est ouvert.
- Cet appareil ne peut être installé en extérieur, même si la zone est protégée par un toit. Il est également très dangereux de l'exposer à la pluie et aux éléments atmosphériques.
- Ne touchez en aucun cas la résistance pendant ou après un cycle de lavage.
- Ne vous appuyez pas et ne vous asseyez jamais sur la porte du lave-vaisselle car l'appareil pourrait basculer.
- Si le lave-vaisselle ne fonctionne pas, fermez le robinet d'arrivée d'eau et débranchez l'appareil. Puis, consultez le chapitre intitulé "Diagnostic des pannes". Si ne pouvez résoudre le problème par vous-même, adressez-vous à un Service Après-vente.
- Les réparations doivent être réalisées exclusivement par du personnel spécialisé.
- Pour la mise au rebut, rendez les appareils inutilisables en sectionnant le câble d'alimentation et en démontant le verrou de la porte.
- L'appareil doit être installé de manière à ce que la fiche soit toujours accessible.
- Si le sol est recouvert d'une moquette, assurez-vous que celle-ci ne gêne pas l'ouverture de la porte.
- Si le câble d'alimentation est endommagé, le remplacement doit être seulement effectué par le constructeur, son service technique agréé ou par du personnel qualifié, afin d'éviter des dangers électriques.

Gros plan (bandeau de commandes)



- | | | | |
|---|-----------------------------------|---|---------------------------------|
| A | Voyant de niveau de sel ON-OFF | D | Poignée d'ouverture de la porte |
| B | Indicateur lumineux manqué de sel | E | Manette sélection programmes |
| C | Touche ON-OFF | | |



- | | | | |
|---|---------------------------------|---|----------------------------------------------------|
| A | Panier supérieur | E | Filtre de lavage |
| B | Réglage de la hauteur du panier | F | Bras d'aspersion inférieur |
| C | Bras d'aspersion supérieur | G | Distributeur de détergent et de liquide de rinçage |
| D | Panier inférieur | H | Bouchon du réservoir à sel |

Caractéristiques techniques

Largeur	45 cm
Profondeur	60 cm
Hauteur	85 cm
Capacité	9 couverts standard
Pression de l'eau dans les conduits	0.03-0.6MPa
Tension d'alimentation	220-240V~ 50HZ
Puissance absorbée totale	1900W

Sel

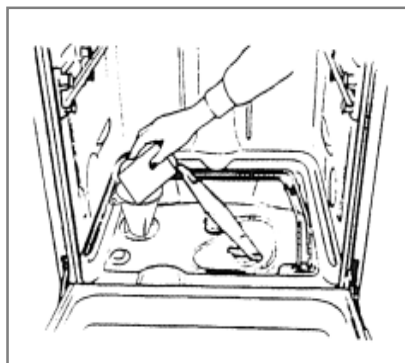
Le degré de dureté de l'eau varie d'un endroit à l'autre. Si l'eau qui alimente votre lave-vaisselle est dure, des dépôts se formeront sur la vaisselle et sur les ustensiles de cuisson.

Cet appareil est équipé d'un système d'adoucissement spécial qui utilise un sel spécialement conçu pour éliminer le calcaire et les minéraux présents dans l'eau.

Comment remplir l'adoucisseur

Utilisez exclusivement du sel spécial pour lave-vaisselle. Le distributeur de sel est situé en dessous du panier inférieur et doit être rempli de la manière suivante :

- Dégagez le panier inférieur, puis dévissez le bouchon du distributeur de sel et retirez-le.
- Si vous remplissez le distributeur de sel pour la première fois, remplissez-le d'eau.
- Placez l'extrémité de l'entonnoir (fourni) dans l'orifice et versez 2 kg de sel environ. Il est normal qu'une petite quantité d'eau s'échappe du distributeur de sel.
- Revissez soigneusement le bouchon.

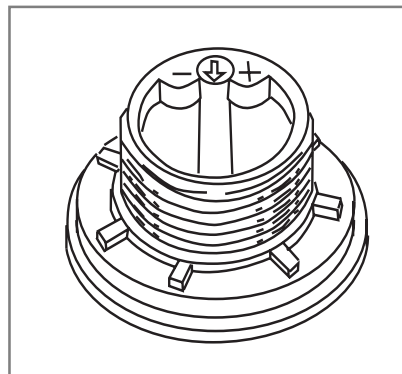


Le réservoir à sel doit être rempli tous les 30 cycles de lavage. **Afin d'éviter la formation de rouille, remplissez le distributeur de sel juste avant de lancer un cycle de lavage.**

Réglage de la quantité de sel

Le lave-vaisselle est conçu de manière à ce que puissiez régler la quantité de sel nécessaire, en fonction du degré de dureté de l'eau de votre habitation. Ceci, afin de permettre d'optimiser et d'adapter la quantité de sel utilisée lors de chaque lavage en limitant celle-ci au minimum.

Pour régler la quantité de sel nécessaire, procédez de la façon suivante :



- Dévissez le bouchon du distributeur de sel.
- Le col du réservoir à sel est doté d'une bague sur laquelle figure une flèche (voir figure ci-dessus). Au besoin, tournez la bague dans le sens inverse des aiguilles d'une montre, du signe "-" vers la position "+", en fonction de la dureté de l'eau.
- Il est fortement conseillé de procéder aux réglages en respectant les consignes du tableau suivant.

Degré de dureté de l'eau					
Degrés Clarke	° dH	mmol/l l	Position du bouton de réglage	Réglage de la quantité de sel (Grammes/cycle)	Autonomie (cycles/2 kg)
0 ÷ 14	0 ÷ 17	0 ÷ 1,7	/	0	/
14 ÷ 36	18 ÷ 44	1,8 ÷ 4,4	"-"	20	60
36 ÷ 71	45 ÷ 89	4,5 ÷ 8,9	MOY	40	40
>71	>89	>8,9	"+"	60	25

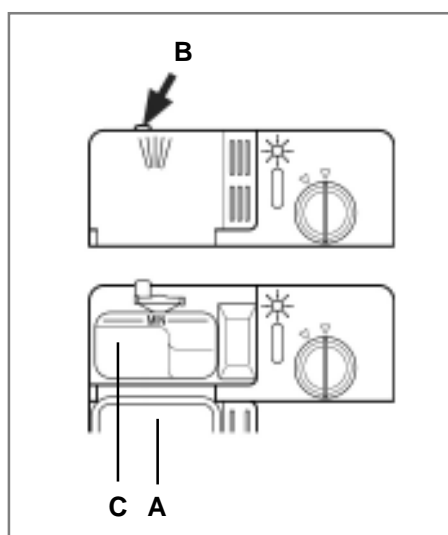
Détergent

Utilisez exclusivement un détergent spécial pour lave-vaisselle. Remplissez le distributeur de détergent avant de lancer un nouveau cycle de lavage, en respectant les instructions fournies dans le "Tableau des cycles de lavage". Le distributeur de détergent est situé sur la paroi intérieure de la porte.

Comment remplir le distributeur de détergent

Pour ouvrir le couvercle "A" du distributeur, appuyez sur la touche "B". Versez le détergent destiné au cycle de lavage dans le compartiment "C".

Dès que vous avez rempli le distributeur de détergent, refermez le couvercle et appuyez jusqu'à ce que vous entendiez un déclic.



Avertissement : Afin de pouvoir refermer aisément le couvercle, nettoyez les bords de celui-ci en éliminant toute trace de détergent.

Liquide de rinçage

Ce produit permet de faire briller votre vaisselle et facilite le séchage sans laisser de traces. Le distributeur de liquide de rinçage est situé sur la paroi intérieure de la porte. Remplissez-le au bout de 80 lavages.

Comment remplir le distributeur de liquide de rinçage

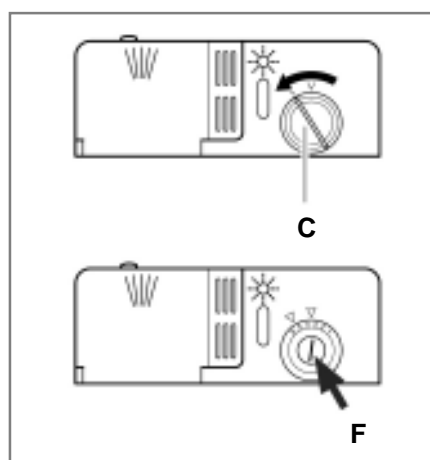
Pour ouvrir le distributeur de liquide de rinçage, tournez le couvercle "C" dans le sens inverse des aiguilles d'une montre et remplissez le distributeur en veillant à ne pas faire déborder le liquide.

Vous pouvez régler la quantité de liquide de rinçage nécessaire en tournant la vis de réglage "F", située en dessous du couvercle "C", à l'aide d'un tournevis.

Il existe 6 positions de réglage ; la position 3 correspond à la quantité normale.

Important : Une quantité de liquide de rinçage correctement dosée améliore le séchage.

Si vous constatez des gouttes d'eau ou des taches sur votre vaisselle, il convient de régler le dosage sur une position supérieure. Si les assiettes présentent des striures blanches, réglez le dosage sur une position inférieure.



Avant de ranger la vaisselle dans votre lave-vaisselle, éliminez tous les résidus d'aliments pour éviter que le filtre ne se bouche, ce qui compromettrait les résultats de lavage.

Si des aliments carbonisés et par conséquent très difficiles à détacher sont présents dans le fond de vos cocottes et casseroles, faites-les tremper avant de les laver au lave-vaisselle. Ceci permettra de ne pas effectuer de cycles de lavage supplémentaires. Tirez le panier vers vous afin de faciliter le chargement de la vaisselle.

Comment utiliser le panier inférieur

Nous vous conseillons de ranger les articles nécessitant un lavage plus puissant sur le panier inférieur : cocottes, casseroles, couvercles, plats de service et saladiers, comme représenté dans la figure de droite.

Il est recommandé de ranger les plats de service et les couvercles sur les côtés du panier afin de ne pas entraver la rotation du bras d'aspersion supérieur.

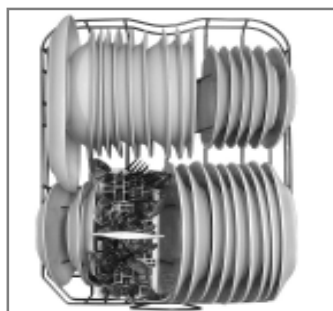
- Rangez toujours les cocottes, saladiers, etc. en les retournant.
- Rangez les cocottes profondes en les inclinant pour permettre à l'eau de s'écouler.
- Rangez les couverts dans le panier à couverts en positionnant le manche vers le bas ; si le panier dispose de paniers latéraux, disposez chaque cuillère dans les fentes prévues à cet effet. Les ustensiles particulièrement longs doivent être rangés à l'horizontale, dans la partie avant du panier supérieur.

Comment utiliser le panier supérieur

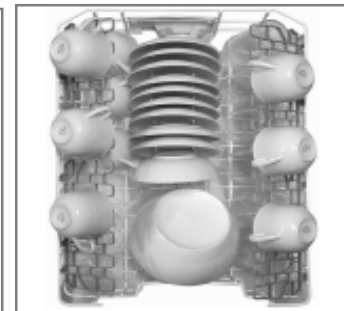
Le panier supérieur est conçu pour recevoir de la vaisselle plus fragile et légère telle que verres, tasses à café et à thé, saucières, de même que des assiettes, de petits bols et des casseroles peu profondes (si elles ne sont pas trop sales). Installez la vaisselle et les ustensiles de cuisson de façon à ce qu'ils ne puissent pas être déplacés par le jet d'eau.

Le panier supérieur peut être réglé en hauteur à l'aide des boutons latéraux (voir fig. B).

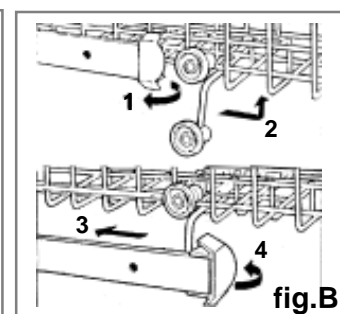
Panier inférieur



Panier supérieur



Capacité pour 9 couverts standard



Comment lancer un programme de lavage

- Assurez-vous que la fiche de votre appareil est correctement branchée dans la prise secteur.
- Assurez-vous que le robinet d'arrivée d'eau est ouvert à fond.
- Chargez la vaisselle dans votre lave-vaisselle (voir le chapitre "Comment charger le lave-vaisselle").
- Remplissez le distributeur de détergent (voir le chapitre "Sel, Détergent et Liquide de rinçage").
- Tournez le bouton situé à droite, sur le bandeau de commandes, dans le sens des aiguilles d'une montre jusqu'au numéro ou symbole du cycle souhaité (voir le chapitre "Tableau des cycles de lavage").
- Appuyez sur la touche ON/OFF ; le voyant ON/OFF s'allume. à présent, le cycle de lavage démarre.

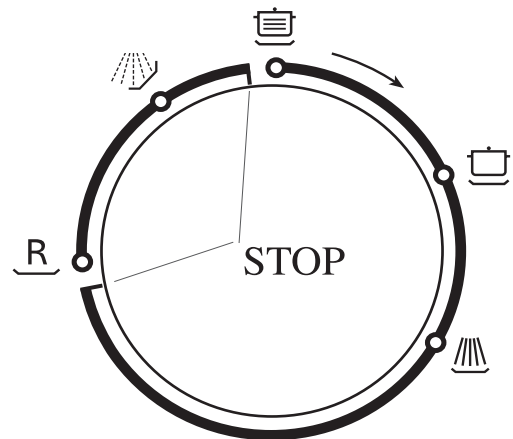
Comment annuler ou modifier les réglages d'un cycle en cours






Appuyez sur la touche ON/OFF, le voyant ON s'éteint. Tournez le bouton dans le sens des aiguilles d'une montre jusqu'au cycle de lavage souhaité (voir le chapitre "Comment lancer un cycle de lavage"). Remettez ensuite votre lave-vaisselle en marche en appuyant sur la touche ON/OFF.

À la fin du cycle de lavage

Le cycle de lavage est terminé lorsque le bouton cesse de tourner et est aligné sur STOP (voir figure). Mettez votre lave-vaisselle hors tension en appuyant sur la touche ON/OFF, fermez le robinet d'arrivée d'eau et ouvrez la porte.

Attendez quelques minutes avant de décharger le lave-vaisselle. Vous éviterez ainsi de manipuler de la vaisselle et des ustensiles encore chauds plus susceptibles de se briser. Vous contribuerez également à optimiser le séchage.



Cycle	Sélection du cycle Informations	Description du cycle	Detergent lavage	Produit de rinçage
 Lavage intensif	Plats, cocottes et casseroles très sales (à ne pas utiliser avec de la vaisselle fragile)	Prélavage eau froide. Lavage prolongé à 55°C. Rinçage eau froide. Rinçage chaud. Séchage.	30 g	★
 Lavage Normal (IEC-EN50242)	Plats, cocottes et casseroles normalement sales. Cycle de lavage quotidien.	Lavage prolongé à 55°C. Rinçage eau froide. Rinçage chaud. Séchage.	25+5g	★ (5)
 Rinçages	Vaisselle à rincer et à sécher uniquement.	Rinçage eau froide. Rinçage chaud. Séchage.		★
 Lavage Verres	Cycle économique et rapide à utiliser pour des pièces particulièrement sensibles aux hautes températures tout de suite après usage.	Lavage à 55°C. Rinçage chaud.	15 g	
 Trempage	Lavage préliminaire de casseroles et de couverts dans l'attente de compléter le chargement au repas suivant.	Lavage bref et froid pour empêcher que les résidus ne sèchent sur la vaisselle.		

- Il est important de tester et de faire fonctionner votre lave-vaisselle lorsque celui-ci est plein, afin d'économiser l'énergie. Pour éviter que des odeurs ne se dégagent et que des aliments ne sèchent sur la vaisselle à laver, vous pouvez utiliser un cycle à froid.
- Sélectionnez le cycle de lavage le mieux approprié : ce choix dépend du type de vaisselle et d'ustensiles de cuisson à laver ainsi que de leur degré de salissure.
- Utilisez la quantité de détergent adéquate : une quantité de détergent trop importante ne garantit pas un meilleur résultat de lavage. En outre, l'impact sur l'environnement n'en sera que plus négatif.
- Ne rincez pas la vaisselle et les ustensiles de cuisson avant de les ranger dans le lave-vaisselle, car cela est inutile.

Comment maintenir votre lave-vaisselle en bon état de fonctionnement

Après chaque lavage

Après chaque lavage, fermez le robinet d'arrivée d'eau et laissez la porte légèrement entrouverte, de façon à libérer les moisissures et les odeurs susceptibles de se former à l'intérieur de l'appareil.

Débrancher l'appareil

Débranchez toujours l'appareil avant de procéder aux opérations de nettoyage ou d'entretien. Ne prenez aucun risque.

Éviter les solvants et les produits d'entretien abrasifs

Pour le nettoyage de l'extérieur et des parties en caoutchouc de l'appareil, n'utilisez en aucun cas de solvants ou de produits d'entretien abrasifs. Utilisez un chiffon imbibé d'une solution d'eau chaude et de savon.

Pour enlever les taches ou salissures présentes sur la surface intérieure de votre appareil, utilisez un chiffon que vous tremperez dans une solution d'eau et de vinaigre blanc, ou un produit d'entretien spécifique pour lave-vaisselle.

Comment déplacer votre appareil

Si vous devez déplacer votre appareil, veillez à le laisser dans la position verticale. Si cela est absolument nécessaire, il peut éventuellement être posé sur le dos.

Joint

La présence de résidus d'aliments dans les interstices des joints du lave-vaisselle constitue l'un des facteurs influençant la formation d'odeurs à l'intérieur de celui-ci. Nettoyez régulièrement les joints avec une éponge pour éviter cet inconvénient.

Absence prolongée

En cas d'absence prolongée, il est conseillé de lancer un cycle de lavage à vide, de débrancher l'appareil, de fermer le robinet d'arrivée d'eau et de laisser la porte de l'appareil légèrement entrouverte. Cette précaution permet d'allonger la durabilité des joints et empêche la formation de mauvaises odeurs à l'intérieur du lave-vaisselle.

Montage du filtre

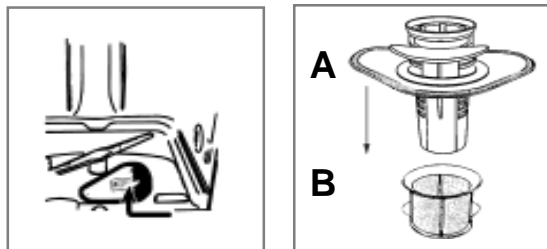
Pour obtenir des résultats de lavage satisfaisants, il est important que le filtre soit propre.

Le filtre recueille efficacement les particules d'aliments présentes dans l'eau de lavage et permet de réutiliser celle-ci au cours du cycle de lavage. C'est pourquoi il est recommandé de débarrasser le filtre des grosses particules d'aliments après chaque cycle de lavage. Pour ce faire, rincez le filtre semi-circulaire et le godet (A) à l'eau courante. Pour démonter le filtre, tirez la poignée du godet vers le haut. Le groupe filtre (constitué du filtre semi-circulaire (A) et du filtre à petits grains (B)) doit être nettoyé au moins une fois par mois. Nettoyez le filtre et le filtre à petits grains à l'aide d'une brosse. Remontez ensuite les différents éléments comme illustré dans les figures ci-dessous et installez à nouveau le groupe filtre à l'intérieur du lave-vaisselle, en le positionnant dans son logement et en appuyant vers le bas.

N'utilisez jamais le lave-vaisselle sans avoir préalablement installé les filtres. Un montage incorrect des filtres peut nuire aux résultats de lavage de l'appareil et endommager la vaisselle et les ustensiles de cuisson.

Comment nettoyer les bras d'aspersion

Il peut arriver que des particules d'aliments s'incruster dans les bras d'aspersion et bloquent les orifices (voir "Gros plan de l'intérieur", lettres C-F). Contrôlez régulièrement les bras d'aspersion et nettoyez-les lorsque cette opération s'avère nécessaire.



Nettoyer le filtre d'entrée d'eau

Vous devez nettoyer régulièrement le filtre d'entrée d'eau situé à la sortie du robinet.

Après avoir fermé le robinet, ouvrez le sommet du tuyau d'entrée d'eau, sortez le filtre et nettoyez-le dans l'eau attentivement. Et puis remettez le filtre et bien serrez le tuyau d'eau.

Diagnostic des pannes

Il se peut que votre lave-vaisselle ne fonctionne pas ou fonctionne de manière incorrecte. Avant de contacter votre Service Après-vente, contrôlez d'abord les points suivants : n'avez-vous pas oublié d'appuyer sur l'une des touches ou bien d'effectuer une opération fondamentale ?

Le lave-vaisselle ne démarre pas

Contrôlez que :

- la fiche est correctement branchée dans la prise secteur ;
- il n'y a pas de coupure de courant ;
- la porte est fermée correctement ;
- la touche ON/OFF est sur "ON" ;
- le robinet d'eau est ouvert.

Le lave-vaisselle ne charge pas l'eau

Contrôlez que :

- le robinet d'arrivée d'eau est ouvert et que le tuyau d'alimentation est raccordé correctement ;
- l'alimentation en eau de votre habitation n'a pas été coupée et que la pression est suffisante ;
- le tuyau d'alimentation n'est ni écrasé ni plié ;
- le filtre du tuyau d'alimentation n'est pas obstrué.

La vaisselle n'est pas propre

Contrôlez que :

- le robinet d'arrivée d'eau est ouvert et que le tuyau d'alimentation est raccordé correctement ;

- l'alimentation en eau de votre habitation n'a pas été coupée et que la pression est suffisante ;
- le tuyau d'alimentation n'est ni écrasé ni plié ;
- le filtre du tuyau d'alimentation n'est pas obstrué.

La vidange de l'eau ne s'effectue pas

Contrôlez que :

- le tuyau de vidange n'est ni écrasé ni plié.

Il y a des dépôts de calcaire ou un film blanchâtre sur la vaisselle

Contrôlez que :

- le bouchon du distributeur de sel est fermé correctement ;
 - la quantité de liquide de rinçage est suffisante.
- Si, après tous ces contrôles, le lave-vaisselle ne fonctionne toujours pas et/ou que le problème persiste, adressez-vous à votre Service Après-vente le plus proche en indiquant :
- le type de panne ;
 - le type d'appareil et le numéro du modèle (Mod...) ainsi que le numéro de série (S/N...), qui figurent sur la plaque signalétique située sur la paroi intérieure de la porte.

Ne faites jamais appel à des techniciens non agréés et exigez toujours qu'il soit fait usage de pièces d'origine.

Comment installer l'appareil

Installez l'appareil à l'endroit souhaité. Le dos de l'appareil doit reposer contre le mur et les parois latérales doivent être parallèles aux parois du meuble adjacent ou du mur. Le lave-vaisselle est équipé de tuyaux d'alimentation et de vidange de l'eau. Ces tuyaux peuvent être installés à droite ou à gauche, pour faciliter l'installation correcte de l'appareil.

Comment mettre l'appareil de niveau

Dès que l'appareil est mis en place, réglez les pieds du lave-vaisselle (en les vissant ou en les dévissant) jusqu'à ce que l'appareil soit de niveau. Dans tous les cas, l'appareil doit présenter une inclinaison non supérieure à 2°. Une mise à niveau correcte de l'appareil est un gage de garantie pour des résultats satisfaisants.

Raccordement à l'arrivée d'eau froide

Raccordez le tuyau d'arrivée d'eau froide à un connecteur 3/4 (gaz) fileté et assurez-vous qu'il est solidement fixé (voir fig. 1). Si les conduits d'eau sont neufs ou ont été utilisés pendant une longue période, faites couler l'eau pour vous assurer qu'elle est propre et dépourvue d'impuretés. En ne prenant pas cette précaution, vous courez le risque de boucher le conduit d'arrivée d'eau et d'endommager l'appareil.

Raccordement à l'arrivée d'eau chaude

Le robinet d'arrivée d'eau de l'appareil peut également être raccordé au dispositif de distribution d'eau chaude de votre habitation (système de chauffage central), à condition que la température ne dépasse pas 60°C.

Dans ce cas, la durée du cycle de lavage sera réduite de 15 minutes environ et l'efficacité du lavage sera légèrement inférieure.

Le raccordement à l'arrivée d'eau chaude doit s'effectuer de la même façon que pour le raccordement à l'arrivée d'eau froide.

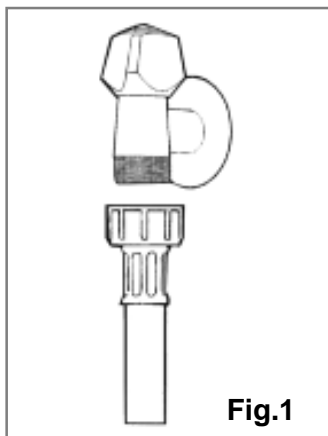


Fig.1

Raccordement du tuyau de vidange

Introduisez le tuyau de vidange dans un conduit de drainage d'un diamètre de 4 cm minimum, ou déposez-le directement dans l'évier en veillant à ce qu'il ne soit ni plié ni écrasé. Utilisez le support en plastique prévu à cet effet, fourni avec l'appareil (voir fig. 2). L'extrémité libre du tuyau doit se trouver à une hauteur comprise entre 40 et 100 cm et ne doit pas être immergée dans l'eau.

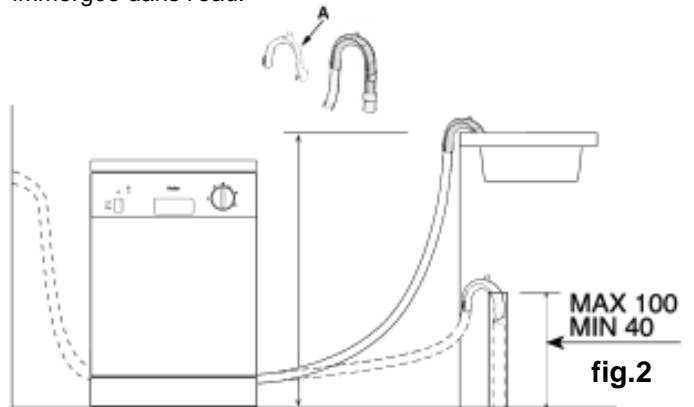


fig.2

Attention :


Le support en plastique doit être solidement fixé au mur pour éviter que le tuyau ne se déplace et que de l'eau ne se répande au sol.

Branchement électrique

Après vous être assuré que la tension d'alimentation et la fréquence de votre habitation correspondent à celles figurant sur la plaque signalétique (située sur la paroi intérieure en acier inoxydable de la porte de votre appareil), et que l'installation électrique est prévue pour supporter la tension maximale indiquée sur la plaque signalétique, introduisez la fiche dans une prise secteur correctement reliée à la masse (la mise à la terre de l'appareil est obligatoire aux termes de la loi).

Si la prise secteur et la fiche de l'appareil ne sont pas de même type, remplacez la fiche. N'utilisez en aucun cas de rallonges ou autres qui risqueraient de provoquer une surchauffe et des brûlures.



Le symbole  sur le produit ou son emballage indique que ce produit ne peut être traité comme déchet ménager. Il doit plutôt être remis au point de ramassage concerné, se chargeant du recyclage du matériel électrique et électronique. En vous assurant que ce produit est éliminé correctement, vous favorisez la prévention des conséquences négatives pour l'environnement et la santé humaine qui, sinon, seraient le résultat d'un traitement inapproprié des déchets de ce produit.

Pour obtenir plus de détails sur le recyclage de ce produit, veuillez prendre contact avec le bureau municipal de votre région, votre service d'élimination des déchets ménagers ou le magasin où vous avez acheté le produit.

AVVISO

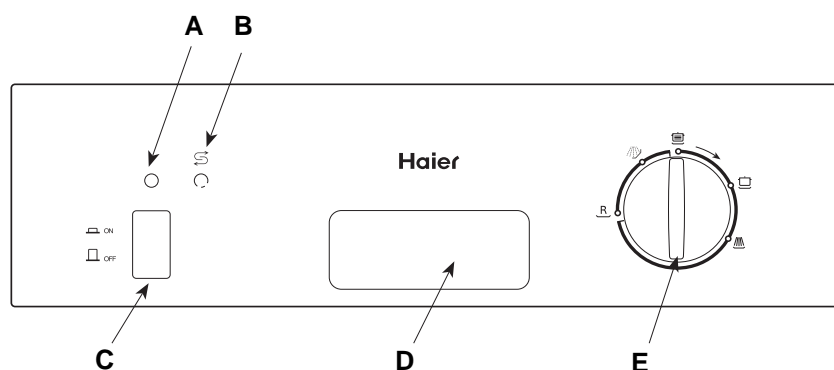
Leggere con attenzione le istruzioni contenute nel presente manuale, in quanto contengono informazioni importanti per una sicura e corretta installazione, per l'uso e la manutenzione dell'apparecchiatura.

CE Questo elettrodomestico è conforme alle seguenti direttive CEE:

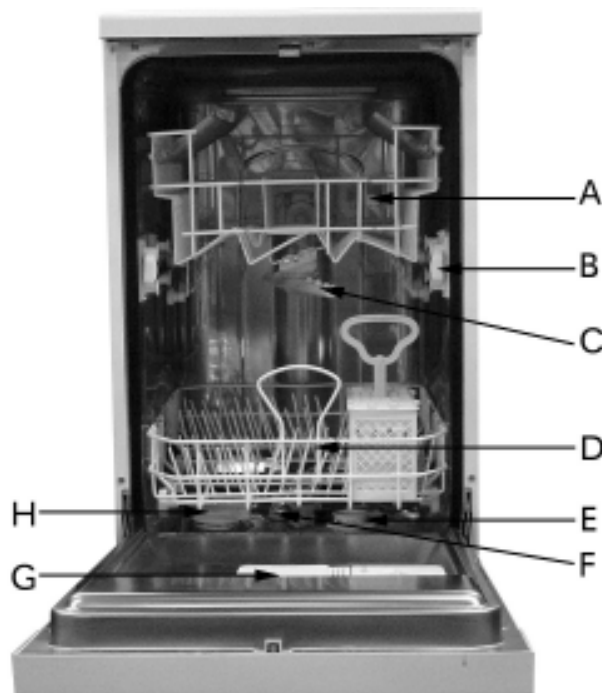
- 73/23/EEC del 19 febbraio 1973 (bassa tensione) e successivi emendamenti;
 - 89/336/EEC del 3 maggio 1989 (compatibilità elettromagnetica) e successivi emendamenti.
 - Smaltire con attenzione il materiale d'imballaggio.
 - Dopo avere eliminato l'imballo, verificare che l'elettrodomestico non sia danneggiato. In caso di dubbi, contattare il personale qualificato.
 - La lavastoviglie deve essere utilizzata esclusivamente da persone adulte per il lavaggio di stoviglie e utensili da cucina.
 - Regole fondamentali da seguire quando si utilizza l'elettrodomestico:
 - * Non toccare mai la lavastoviglie a piedi scalzi o con mani o piedi bagnati;
 - * Evitare l'impiego di prolunghe o di doppie prese;
- Durante l'installazione, il cavo di alimentazione non deve essere eccessivamente o pericolosamente piegato o schiacciato

- * Se l'apparecchio non funziona in maniera corretta, oppure prima di eseguire la manutenzione, scollegare l'alimentazione elettrica.
- Tenere i detersivi fuori dalla portata dei bambini ed evitare che si avvicinino alla lavastoviglie quando lo sportello è aperto.
- Questo apparecchio non può essere installato all'aperto, nemmeno in aree coperte da un tetto; inoltre è molto pericoloso lasciarlo esposto agli agenti atmosferici.
- Non toccare la resistenza durante o dopo un ciclo di lavaggio.
- Non appoggiarsi o sedersi sullo sportello aperto, perché ciò potrebbe causare il ribaltamento della lavastoviglie.
- In caso di malfunzionamento, chiudere il rubinetto di alimentazione dell'acqua e scollegare la spina dalla presa di corrente. Poi, consultare la sezione intitolata "Soluzione dei problemi". Se non è possibile risolvere il problema, contattare un centro assistenza.
- Solo il personale specializzato è autorizzato a fare riparazioni.
- Gli elettrodomestici che non possono più essere utilizzati, devono essere resi inutilizzabili tagliando il cavo di alimentazione e togliendo la chiusura dello sportello.
- Occorre posizionare la lavastoviglie in modo che la spina sia accessibile.
- In caso di installazione su pavimento rivestito di moquette, questa non deve ostruire l'apertura dello sportello della lavastoviglie.
- Se il cavo di allacciamento elettrico è guasto, può solo essere sostituito per il produttore, il servizio tecnico o persone qualificate per evitare il pericolo elettrico.

Vista da vicino (quadro comandi)



- | | | | |
|---|---------------------------------|---|-----------------------------------------|
| A | Spia ON-OFF | D | Maniglia per aprire lo sportello |
| B | Spia sale in esaurimento | E | Manopola selezione programmi |
| C | Tasto ON-OFF | | |



- | | | | |
|----------|-------------------------------------|----------|---------------------------------------------|
| A | Cestello superiore | E | Filtro lavaggio |
| B | Regolazione altezza cestello | F | Irroratore inferiore |
| C | Irroratore superiore | G | contenitore detersivo e brillantante |
| D | Cestello inferiore | H | Tappo contenitore sale |

Caratteristiche tecniche

Larghezza	45 cm
Profondità	60 cm
Altezza	85 cm
Capacità	9 coperti standard
Pressione dell'acqua da	0.03-0.6MPa
Tensione di potenza	220-240V~50Hz
Potenza assorbita totale	1900W

Sale

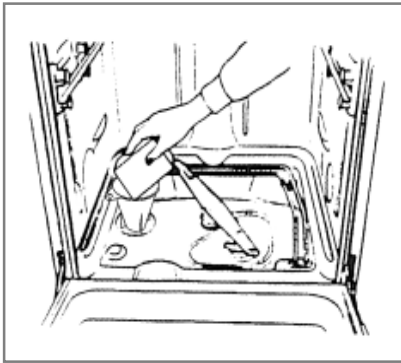
La durezza dell'acqua varia da luogo a luogo. Se la lavastoviglie funziona con acqua dura, su piatti e utensili si formano dei depositi.

Questo elettrodomestico è dotato di un addolcitore speciale che utilizza un sale appositamente studiato per eliminare calcare e sali minerali dall'acqua.

Inserimento del sale nell'addolcitore

Utilizzare esclusivamente sale per lavastoviglie. Il contenitore del sale si trova sotto al cestello inferiore e deve essere riempito nel modo seguente:

- Estrarre il cestello inferiore e svitare e togliere il coperchio del contenitore del sale;
- Prima di inserire il sale per la prima volta, riempire il contenitore con acqua;
- Posizionare l'estremità dell'imbuto (in dotazione) nel foro e inserire circa 2 kg di sale. È normale che fuoriesca una piccola quantità di acqua dal contenitore.
- Riavvitare con attenzione il tappo.



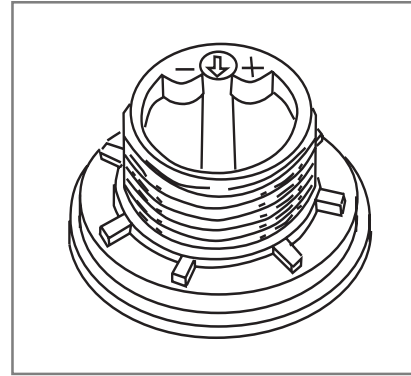
Il serbatoio del sale va riempito ogni circa 30 cicli di lavaggio.

- **Per impedire la formazione di ruggine, inserire il sale subito prima dell'inizio di un ciclo di lavaggio.**

Regolazione del consumo del sale

La lavastoviglie è predisposta per la regolazione del quantitativo di sale consumato in base alla durezza dell'acqua disponibile. Ciò permette di migliorare e personalizzare il livello di consumo del sale, riducendolo al minimo.

Per regolare il consumo di sale, procedere nel modo seguente:



- Svitare il tappo del contenitore del sale;
- Sul collo del contenitore è presente un anello con una freccia (vedere figura precedente). Se necessario, ruotare l'anello in senso antiorario, dal simbolo "-" verso il simbolo "+", in base alla durezza dell'acqua.
- Per eseguire le regolazioni, si consiglia vivamente di consultare la seguente tabella.

Durezza dell'acqua					
Scala di Clarke	° dH	mmol/l	Posizione selettore	Consumo di sale (grammi/ciclo)	Autonomia (cicli/2kg)
0 ÷ 14	0 ÷ 17	0 ÷ 1,7	/	0	/
14 ÷ 36	18 ÷ 44	1,8 ÷ 4,4	"_"	20	60
36 ÷ 71	45 ÷ 89	4,5 ÷ 8,9	MED	40	40
>71	>89	>8,9	"+"	60	25

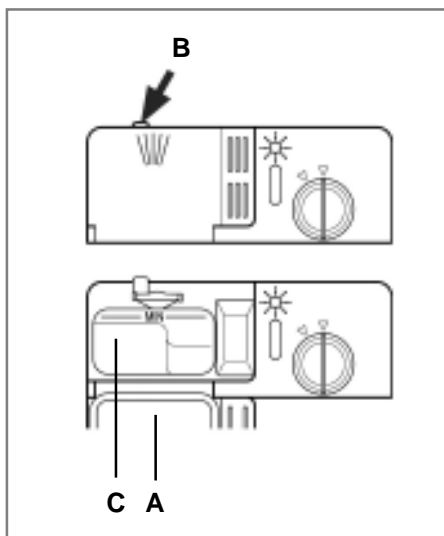
Detersivo

Utilizzare esclusivamente detersivi per lavastoviglie. Il contenitore deve essere riempito prima dell'inizio di ciascun ciclo di lavaggio, seguendo le istruzioni contenute nella "Tabella dei cicli di lavaggio". Il contenitore del detersivo si trova nel pannello interno dello sportello.

Inserimento del detersivo

Per aprire il coperchio "A" del contenitore, premere il pulsante "B". Il detersivo per il ciclo di lavaggio deve essere inserito nello scomparto "C".

Dopo avere inserito il detersivo, chiudere il coperchio premendolo fino a sentire un clic.



Nota: per semplificare la chiusura del coperchio, eliminare eventuali residui di detersivo in eccesso dal contenitore.

Brillantante

Questo prodotto rende i piatti brillanti e ne facilita l'asciugatura senza macchie. Il contenitore si trova nel pannello interno dello sportello e deve essere riempito dopo circa 80 cicli di lavaggio.

Inserimento del brillantante

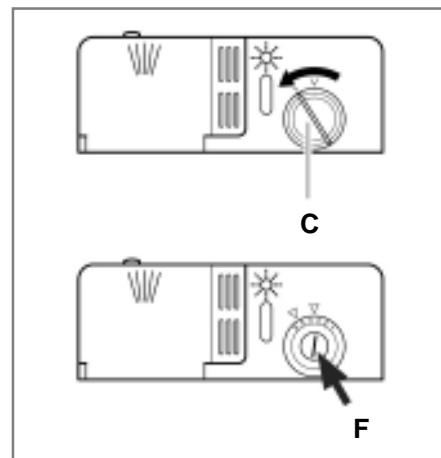
Per aprire il contenitore del brillantante, ruotare il tappo "C" in senso antiorario quindi aggiungere il brillantante, prestando attenzione a non farlo fuoriuscire.

Il quantitativo di brillantante utilizzato per ciascun ciclo di lavaggio può essere regolato ruotando l'apposito dosatore "F", posizionato sotto al coperchio "C", con un cacciavite. Vi sono 6 diverse impostazioni; quella che prevede un dosaggio normale è la numero 3.

Importante: il corretto dosaggio del brillantante migliora l'asciugatura delle stoviglie.

Se sulle stoviglie rimangono gocce di acqua o macchie, occorre regolare il dosatore su un'impostazione superiore.

Se invece le stoviglie presentano striature bianche, regolare il dosatore su un'impostazione inferiore.



Prima di inserire i piatti nella lavastoviglie, eliminare i residui alimentari più grossi per evitare di intasare il filtro e ridurre le prestazioni dell'elettrodomestico.

Se i residui alimentari presenti su pentole e padelle sono particolarmente difficili da eliminare, consigliamo di lasciarli in ammollo prima di procedere al lavaggio. Ciò evita di dovere effettuare ulteriori cicli di lavaggio. Estrarre il cestello per semplificare il caricamento della lavastoviglie.

Come riempire il cestello inferiore

Si consiglia di disporre sul cestello inferiore le stoviglie maggiormente sporche: pentole, padelle, coperchi, piatti e contenitori di portata, come illustrato nella figura a destra.

Si consiglia di posizionare i piatti di portata e i coperchi sui fianchi dei cestelli per evitare di bloccare la rotazione del braccio aspersore superiore.

- Pentole e ciotole devono essere poste sempre rivolte verso il basso.
- Le pentole più grosse devono essere inclinate per facilitare lo scolo dell'acqua.
- Sistemare le posate nell'apposito cestello con il manico rivolto verso il basso; se nel cestello vi sono contenitori laterali per le posate, i cucchiai devono essere posizionati individualmente negli appositi contenitori. Gli utensili particolarmente lunghi devono essere posti in posizione orizzontale nella parte anteriore del cestello superiore.

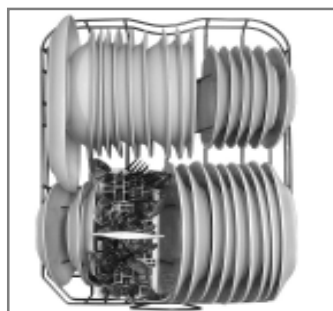
Come riempire il cestello superiore

Il cestello superiore è predisposto per stoviglie più delicate e leggere, come bicchieri, tazze da caffè e tè, piattini, piatti e coppette, oltre che piccole padelle (purché non eccessivamente sporche).

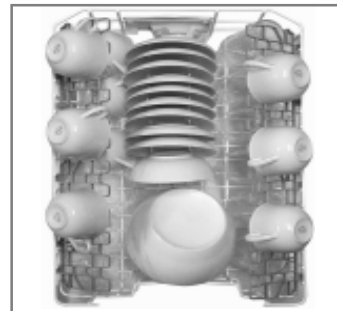
Posizionare i piatti e le pentole in modo che non vengano mossi dallo spruzzo dell'acqua.

L'altezza del cestello superiore può essere regolata usando le manopole laterali (vedere fig.B).

Cestello inferiore



Cestello superiore



Capacità 9 coperti standard



fig.A

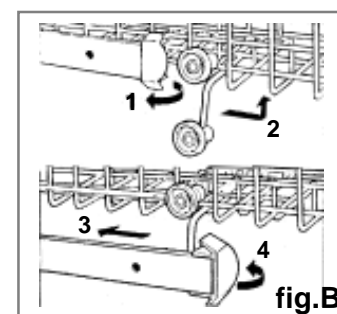


fig.B

Per avviare un programma di lavaggio...

- Controllare che la spia sia inserita nella presa a muro .
- Controllare che il rubinetto dell'acqua sia completamente aperto.
- Caricare le stoviglie (vedi capitolo "caricamento delle stoviglie")
- Versare il detersivo (vedi capitolo "sale, detersivo e brillantante).
- Ruotare la manopola situata nella parte destra del cruscotto in senso orario fino a far coincidere la tacchetta di riferimento con il simbolo o il numero di ciclo che si intende effettuare (vedi capitolo "Tabella programmi").
- Premere il pulsante ON-OFF, si accenderà la lampada spia ON-OFF. A questo punto il ciclo di lavaggio avrà inizio.

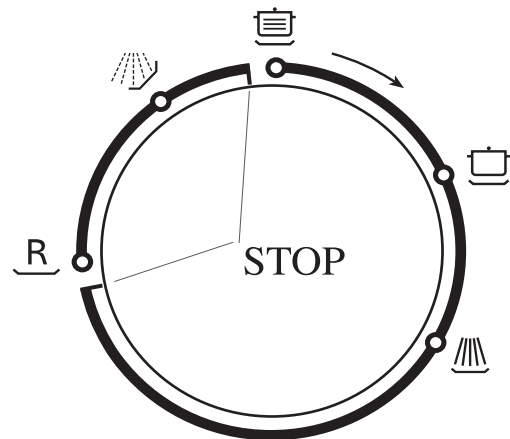
Nel caso abbiate dimenticato delle stoviglie...






È possibile interrompere il ciclo di lavaggio premendo il pulsante ON-OFF, inserire le stoviglie ed all'accensione della macchina il ciclo riprenderà nel punto in cui era stato interrotto.

Alla fine del lavaggio...

Quando la manopola cessa di ruotare e si ferma su di una tacca di STOP (vedi figura il ciclo è terminato). Spegnerla macchina agendo sul pulsante ON-OFF, chiudere il rubinetto dell'acqua ed aprirlo sportello.

Attendete alcuni minuti prima di togliere le stoviglie, eviterete così di maneggiare le stoviglie calde, più sensibili agli urti, ed otterrete una migliore asciugatura.



Cycle	Informazione di Selezione di Ciclo	Descrizione di Ciclo	Detersivo	Soluzione di Risciacquatura
 <p>Lavaggio Intensivo</p>	<p>Piatti, batteria da cucina molto sporchi. (Non è da usare con gli articoli delicati).</p>	<p>Pre-lavaggio con acqua fredda. Lavaggio prolungato da 55°C. Risciacquatura con acqua fredda. Risciacquatura con acqua calda. Asciugamento.</p>	<p>30 g</p>	<p>★</p>
 <p>Lavaggio Normale (IEC-EN50242)</p>	<p>Piatti, batteria da cucina di sporcizia normale. Ciclo quotidiano standard.</p>	<p>Lavaggio prolungato da 55°C. Risciacquatura con acqua fredda. Risciacquatura con acqua calda. Asciugamento.</p>	<p>25+5g</p>	<p>★ (5)</p>
 <p>Risciacquatura</p>	<p>Solo per i piatti i quali devono essere risciacquati ed asciugati.</p>	<p>Risciacquatura con acqua fredda. Risciacquatura con acqua calda. Asciugamento.</p>		<p>★</p>
 <p>Articoli di vetro</p>	<p>Ciclo economico, veloce da essere usato per articoli i quali sono sensibili per la temperatura alta. Lo esegui immediatamente dopo quando i piatti sono stati usati.</p>	<p>Lavaggio da 55°C. Risciacquatura con acqua fredda.</p>	<p>15 g</p>	
 <p>Ammollo</p>	<p>Pre-lavaggio dei piatti, della batteria da cucina quando aspetti il completamento del carico dopo il pasto successivo.</p>	<p>Breve lavaggio freddo ad evitare che il residuo di cibo possa essere essiccato sui piatti.</p>		

- E' importante attivare la lavastoviglie possibilmente a pieno carico per ottimizzare i consumi; per evitare che nel frattempo si formino cattivi odori e incrostazioni, potete utilizzare il ciclo ammollo.
- Scegliete il programma adeguato: la scelta del programma dipende dal tipo di stoviglie da lavare e dal loro grado di sporco.
- Dosate la giusta quantita' di detersivo: se eccedete con il quantitativo di detersivo non otterrete stoviglie piu' pulite, ma solamente un maggior impatto ambientale.
- E' inutile sciacquare le stoviglie prima di posizionarle nella macchina.

Come tenere in forma la lavastoviglie

Dopo ogni lavaggio

Dopo ogni lavaggio chiudete il rubinetto dell'acqua e lasciate socchiusa la porta in modo che non ristagnino ne' umidita' , ne' cattivi odori.

Staccare la spina

Prima di fare qualsiasi pulizia o manutenzione , staccare sempre la spina dalla presa:
non correte alcun pericolo.

Niente solventi ne' abrasivi

Per pulire l'esterno e le parti in gomma della lavastoviglie non occorre usare ne' solventi ne' abrasivi ma solo un panno imbevuto di acqua tiepida e sapone.

Per eliminare eventuali macchia sulla superficie della vasca, utilizzare un panno imbevuto di acqua ed un po' di aceto bianco o prodotto specifico per la pulizia della lavastoviglie.

In caso di trasloco

In caso di trasloco possibilmente mantenete l'apparecchio in posizione verticale; se fosse necessario , inclinatela sul lato posteriore.

Le guarnizioni

Uno dei fattori responsabili del ristagno di Odori all'interno della lavastoviglie e' rappresentato dai residui di cibo che rimangono nelle guarnizioni. Bastera' pulire periodicamente con una spugnetta inumidita.

Se partire per le vacanze

Quando andate in vacanza, e' consigliabile fare un lavaggio a vuoto, dopodiche' staccare la spina, chiudere il rubinetto di ingresso acqua e lasciare socchiusa la porta; le guarnizioni dureranno piu' a lungo ed all'interno non si formeranno odori sgradevoli.

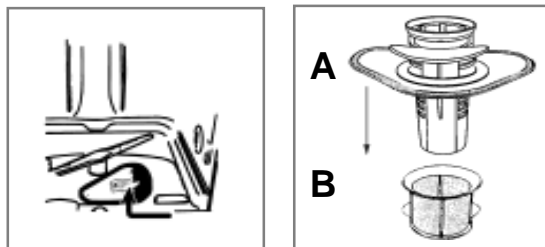
Gruppo del filtro

Per migliorare prestazioni e risultati, si consiglia di pulire il gruppo del filtro, che consente di trattenere le particelle di cibo rimaste nell'acqua di lavaggio e, di conseguenza, di riutilizzarla durante il ciclo. Per questo motivo si consiglia di eliminare i residui di cibo più grossi rimasti nel filtro dopo ogni ciclo di lavaggio, risciacquando il filtro e la tazza semicircolare (A) sotto l'acqua corrente. Per estrarre il gruppo del filtro, tirare l'apposita maniglia verso l'alto. L'intero gruppo del filtro (costituito dal filtro semicircolare (A) e dal filtro fine (B)) deve essere pulito almeno una volta al mese. Pulire il filtro e il filtro fine servendosi di una spazzola. Poi rimontare le parti del filtro come illustrato nelle figure seguenti e reinserire l'intero gruppo nella lavastoviglie, posizionandolo nell'apposito alloggiamento e premendo verso il

La lavastoviglie non deve mai essere utilizzata senza i filtri. L'inserimento incorretto dei filtri può ridurre le prestazioni della lavastoviglie e danneggiare piatti e utensili basso.

Pulizia dei bracci aspersori

A volte capita che residui alimentari rimangano incrostati sui bracci aspersori e blocchino i fori (vedere "L'interno della lavastoviglie", lettere C-F). Controllare periodicamente i bracci aspersori e pulirli, se necessario.



Controlla il filtro d'immissione d'acqua

Pulisci periodicamente il filtro d'immissione d'acqua situato sullo scarico del rubinetto del rifornimento d'acqua.

Dopo avere chiuso il rubinetto d'acqua, svita la fine del tubo di rifornimento d'acqua, rimuovi il filtro e lo pulisci attentamente sotto l'acqua corrente. E poi, rimetti il filtro al suo posto originale e stringi il tubo di rifornimento d'acqua al suo posto.

C'e' qualche problema?

Può succedere che la lavastoviglie non funzioni o non funzioni correttamente. Prima di contattare l'assistenza, cercare di risolvere personalmente i problemi: non è stato premuto uno dei tasti o non è stata eseguita un'operazione fondamentale?

La lavastoviglie non parte

Controllare che:

- la spina sia inserita correttamente nella presa;
- vi sia corrente nella casa;
- lo sportello sia chiuso correttamente;
- il tasto ON-OFF sia su "ON";
- il rubinetto dell'acqua sia aperto.

La lavastoviglie non carica l'acqua

Controllare che:

- il rubinetto dell'acqua sia aperto e il tubo attaccato correttamente;
- l'acqua arrivi alla casa e abbia pressione sufficiente;
- il tubo di alimentazione dell'acqua non sia schiacciato o piegato;
- il filtro del tubo di alimentazione non sia intasato.

Le stoviglie non sono pulite

Controllare che:

- il rubinetto dell'acqua sia aperto e il tubo attaccato correttamente;

- l'acqua arrivi alla casa e abbia pressione sufficiente;
- il tubo di alimentazione dell'acqua non sia schiacciato o piegato;
- il filtro del tubo di alimentazione non sia intasato.

La lavastoviglie non scarica l'acqua

Controllare che:

- il tubo di scarico non sia schiacciato o piegato.

Sulla superficie delle stoviglie si formano residui calcarei o una pellicola bianca

Controllare che:

- il coperchio del contenitore del sale sia chiuso correttamente;
- il dosaggio del brillantante sia corretto.

Qualora, nonostante questi controlli, la lavastoviglie non funzioni e/o il problema persista, contattare il centro di assistenza autorizzato più vicino e fornire le seguenti informazioni:

- il tipo di problema;
- il numero del modello (Mod...) e il numero di serie (S/N...), indicati nella targhetta sul fianco della parte interna dello sportello.

Non ricorrere mai a tecnici non autorizzati e non permettere l'installazione di ricambi non originali.

Posizionamento della lavastoviglie

Sistemare la lavastoviglie nella posizione desiderata. La parte posteriore dovrebbe essere appoggiata ad una parete e i fianchi ai mobili o alle pareti adiacenti. La lavastoviglie è dotata di tubi di alimentazione e scarico che possono essere posizionati a destra o a sinistra per semplificare una corretta installazione dell'elettrodomestico.

Livellamento della lavastoviglie

Dopo avere posizionato la lavastoviglie, regolare l'altezza dei piedini (avvitandoli o svitandoli) per livellarla. In ogni caso, la lavastoviglie non deve essere inclinata più di 2°. Un corretto livellamento della lavastoviglie, contribuisce ad aumentarne le prestazioni.

Allacciamento dell'acqua fredda

Attaccare il tubo flessibile per l'acqua fredda ad un connettore filettato 3/4 (gas) e verificare che sia collegato correttamente (vedere fig. 1).

Se le tubazioni dell'acqua sono nuove o non sono state utilizzate per un lungo periodo di tempo, lasciare scorrere l'acqua per essere certi che sia pulita e priva di impurità. Questa precauzione consente di evitare il rischio di bloccare e danneggiare il tubo di alimentazione della lavastoviglie.

Allacciamento dell'acqua calda

La lavastoviglie può essere collegata anche alla conduttura domestica dell'acqua calda (sistema centralizzato, impianto di riscaldamento), purché la temperatura non superi i 60°C.

In questo caso, la durata del ciclo di lavaggio diminuisce di circa 15 minuti e l'efficienza del lavaggio risulta leggermente ridotta. Eseguire l'allacciamento all'acqua calda seguendo le stesse procedure descritte per il collegamento alle condutture dell'acqua fredda.

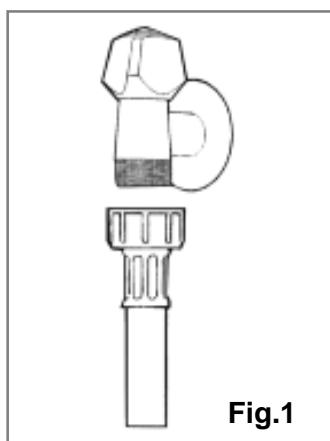
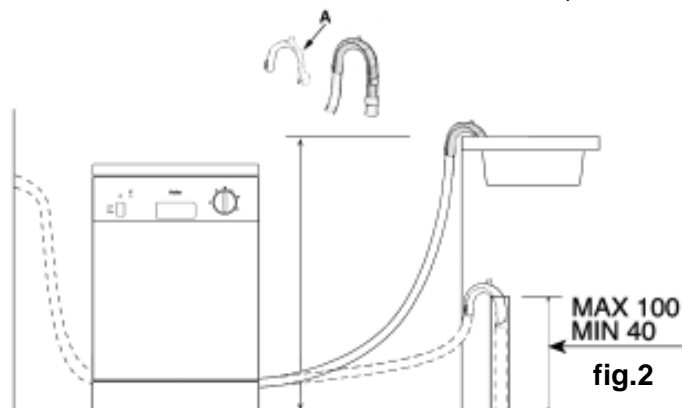


Fig.1

Allacciamento del tubo di scarico

Inserire il tubo di scarico in una tubazione di scarico con diametro minimo di 4cm, oppure appoggiarlo al lavandino, evitando di piegarlo o di schiacciarlo, utilizzando l'apposito supporto speciale in plastica in dotazione con la lavastoviglie (vedere fig. 2). L'estremità libera del tubo deve essere ad un'altezza compresa tra 40 e 100 cm e non deve essere immersa nell'acqua.




Attenzione:

l'apposito supporto in plastica deve essere fissato saldamente alla parete per evitare che il tubo di scarico si muova e l'acqua fuoriesca.

Collegamento elettrico

Dopo avere verificato che i valori di tensione e frequenza della corrente domestica corrispondano a quelli della targhetta nominale (posta sulla parte interna in acciaio inox dello sportello della lavastoviglie) e che l'impianto elettrico possa supportare la tensione massima riportata sulla targhetta, inserire la spina in una presa elettrica correttamente messa a terra (la messa a terra dell'apparecchio è un requisito di sicurezza imposto per legge). Se la presa elettrica a cui deve essere collegato l'apparecchio non è adatta alla spina, sostituire la spina invece di utilizzare adattatori o dispositivi analoghi che potrebbero causare surriscaldamenti e bruciature.



Il simbolo  sul prodotto o sulla confezione indica che il prodotto non deve essere considerato come un normale rifiuto domestico, ma deve essere portato nel punto di raccolta appropriato per il riciclaggio di apparecchiature elettriche ed elettroniche. Provvedendo a smaltire questo prodotto in modo appropriato, si contribuisce a evitare potenziali conseguenze negative per l'ambiente e per la salute, che potrebbero derivare da uno smaltimento inadeguato del prodotto.

Per informazioni più dettagliate sul riciclaggio di questo prodotto, contattare l'ufficio comunale, il servizio locale di smaltimento rifiuti o il negozio in cui è stato acquistato il prodotto.

NOTA

Lea atentamente las instrucciones incluidas en este manual. Proporcionan información importante necesaria para realizar una instalación, uso y mantenimiento seguros del aparato.

CE Este aparato cumple con las siguientes directivas comunitarias:

- 73/23/EEC del 19 de febrero de 1973 (Baja tensión) y posteriores modificaciones;

- 89/336/CEE del 3 de mayo de 1989 (Compatibilidad electromagnética) y posteriores modificaciones.

- Elimine el material de embalaje con cuidado.

Una vez quitado el material de embalaje, compruebe que el aparato no está dañado. Si tiene dudas, póngase en contacto con personal cualificado.

- El lavavajillas sólo debe ser utilizado por personas adultas para lavar vajillas y utensilios de cocina

- Normas básicas que deben cumplirse al utilizar el aparato:

* No toque el lavavajillas con los pies descalzos o con las manos o los pies mojados;

* No utilice alargadores ni tomas múltiples;

* No doble ni aplaste el cable de alimentación en exceso o de forma peligrosa durante la instalación;

* Si el aparato no funciona correctamente o si es preciso realizar alguna operación de mantenimiento, desconéctelo del suministro eléctrico.

- Guarde el detergente fuera del alcance de los niños y mantenga a los niños alejados del lavavajillas cuando esté abierto.

- Este aparato no debe instalarse en el exterior, incluso si la zona donde se va a instalar está cubierta por un tejado; es muy peligroso exponerlo a la lluvia y a la intemperie.

No toque la resistencia durante o después del programa de lavado.

- No se apoye ni siente sobre la puerta cuando esté abierta; puede volcarse el lavavajillas.

- En caso de avería, cierre el grifo de suministro de agua al lavavajillas y desenchufe la toma de corriente. A continuación, consulte el apartado, "Solución de problemas". Si no puede solucionar el problema, póngase en contacto con el Servicio de asistencia técnica.

Las reparaciones sólo deben ser efectuadas por personal cualificado.

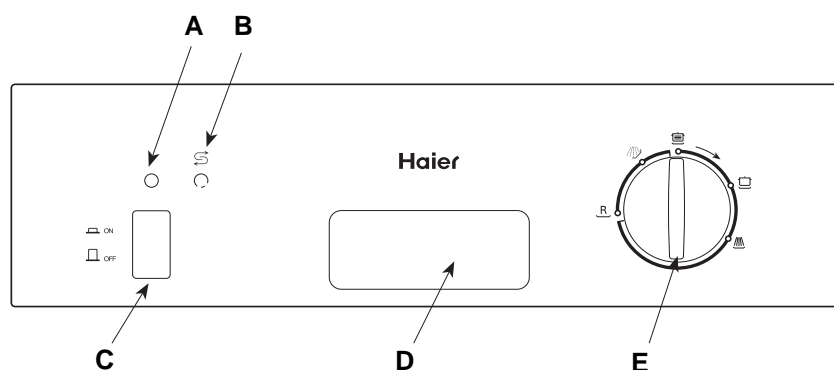
- Corte el cable de suministro eléctrico y quite el cierre de la puerta de los aparatos que se vayan a desguazar.

- Coloque el aparato de forma que pueda acceder al enchufe con facilidad.

- Si el aparato se coloca sobre un suelo con alfombra, ésta no debe obstruir la apertura de la puerta.

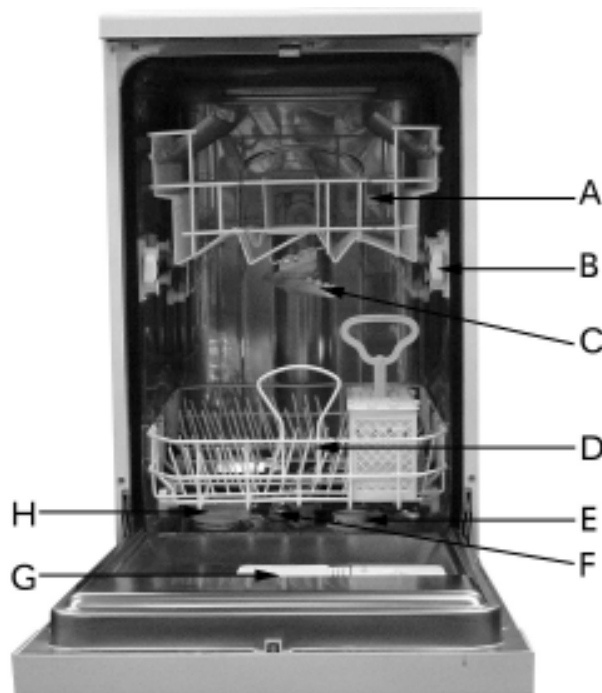
- Si la toma de corriente eléctrica es estropeado, deben solamente estar sustituido para el productor, el servicio técnico o persona apte, para evitar peligro eléctrico.

Primer plano (panel de control)



- A Indicador luminoso ON-OFF
- B Luz indicadora de falta de sal
- C Botón ON-OFF

- D Asa para abrir la puerta
- E Mando de selección del programa



- | | | | |
|---|----------------------------------|---|--------------------------------------------|
| A | Cesto superior | E | Filtro de lavado |
| B | Adaptador de la altura del cesto | F | Brazo aspersor inferior |
| C | Brazo aspersor superior | G | Distribuidor de detergente y abrillantador |
| D | Cesto inferior | H | Tapón del contenedor de sal |

Características técnicas

Anchura	45 cm
Fondo	60 cm
Altura	85 cm
Capacidad	Estándar para 9 servicios
Presión del agua	0.03-0.6 MPa
Voltaje	220-240V~50HZ
Potencia total absorbida	1900W

Sal

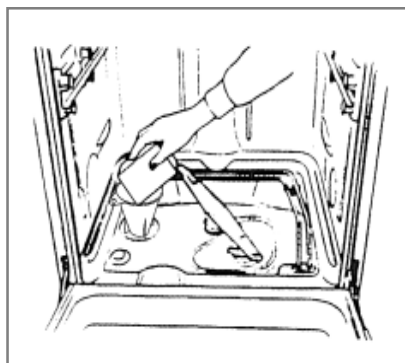
La dureza del agua varía de un lugar a otro. Si el agua utilizada en el lavavajillas es dura, se formarán depósitos en la vajilla y utensilios.

El aparato está equipado con un ablandador que utiliza sal especial que elimina la cal y los minerales del agua.

Llenado del distribuidor de sal

Utilice únicamente sal para lavavajillas. El recipiente de sal está situado debajo del cesto inferior y debe llenarse del siguiente modo:

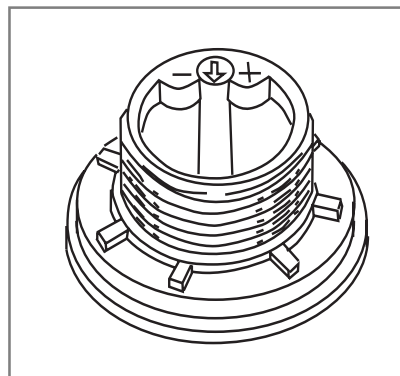
- Extraiga el cesto inferior y desenrosque el tapón del recipiente de sal;
- Si llena el recipiente por primera vez, llénelo de agua;
- Coloque el embudo (suministrado) en el orificio e introduzca aproximadamente 2 kg. de sal. Es normal que desborde un poco de agua del recipiente de sal.
- Enrosque de nuevo el tapón con cuidado.



Ajuste del consumo de sal

El diseño del lavavajillas permite ajustar el consumo de sal dependiendo de la dureza del agua utilizada. Esto permite optimizar y personalizar el nivel de consumo de sal y mantenerlo al mínimo.

Para ajustar el consumo de sal, realice lo siguiente:



- Desenrosque el tapón del recipiente de sal;
- El cuello del recipiente dispone de un anillo con una flecha sobre él (vea la figura anterior). Si es preciso, gire el anillo en el sentido contrario a las agujas del reloj, desde el signo "-" hacia "+", según la dureza del agua.
- Se recomienda consultar la tabla siguiente cuando vaya a realizar los ajustes.

Es recomendado ser hecho el ajuste conforme a la siguiente tabla:

Dureza del agua			Posición del selector	Consumo de sal (Gramos/ciclo)	Autonomía (ciclos/2kg)
Grados Clarcke	° dH	mmol/l			
0 ÷ 14	0 ÷ 17	0 ÷ 1,7	/	0	/
14 ÷ 36	18 ÷ 44	1,8 ÷ 4,4	"-"	20	60
36 ÷ 71	45 ÷ 89	4,5 ÷ 8,9	MED	40	40
>71	>89	>8,9	"+"	60	25

El depósito de sal debe rellenarse cada 30 ciclos de lavado aproximadamente.

Para evitar la formación de herrumbre, aconsejamos cargar la sal poco antes de comenzar un ciclo de lavado.

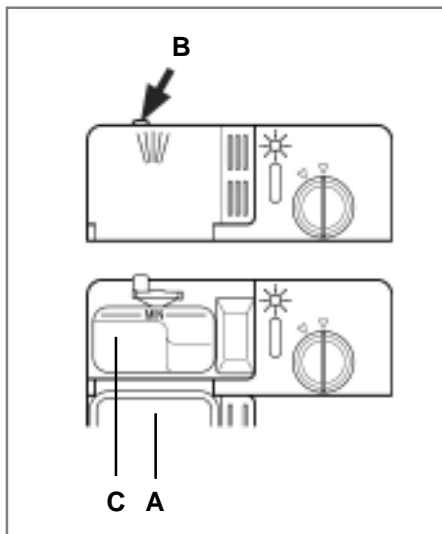
Detergente

Utilice sólo detergente para lavavajillas. Rellene el distribuidor inmediatamente antes de iniciar el programa de lavado según las instrucciones contenidas en la "Tabla de programas de lavado". El distribuidor del detergente está situado en el panel interior de la puerta.

Llenado del distribuidor de detergente

Para abrir el tapón "A" del distribuidor, pulse el botón "B". Vierta el detergente para el programa de lavado en el compartimiento "C".

Una vez vertido el detergente en el dispensador, cierre el tapón y presiónelo hasta que encaje.



Nota: para facilitar el cierre del tapón, elimine el exceso de detergente de los bordes del distribuidor.

Abrillantador

Este producto hace que la vajilla brille y se seque sin manchas. El distribuidor está situado en la parte interior del panel de la puerta y debe rellenarse cada 80 ciclos de lavado.

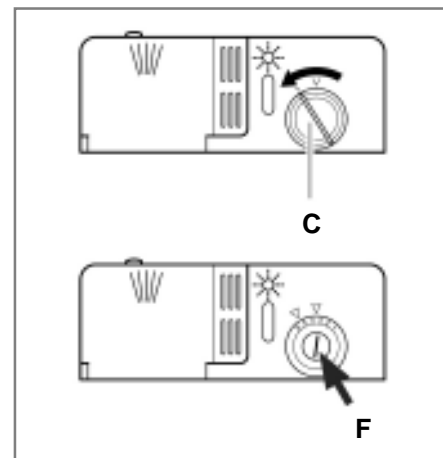
Llenado del distribuidor de abrillantador

Para abrir el distribuidor, gire el tapón "C" en sentido contrario a las agujas del reloj y añada abrillantador teniendo cuidado de que no se desborde.

Para regular la dosis de abrillantador utilizado en cada programa, gire el regulador "F" situado debajo del tapón "C" con un destornillador. Incluye 6 posiciones; la dosis media es 3.

Importante: la dosis correcta de abrillantador facilita el secado.

Si se aprecian gotas o manchas en la vajilla, seleccione una dosis más alta. Si se aprecian rayas, seleccione una dosis más baja.



Antes de colocar la vajilla en el lavavajillas, quite las partículas de comida más grandes para evitar que se obstruya el filtro y se reduzca el rendimiento.

Si las cazuelas y sartenes contienen comida incrustada difícil de eliminar, péngalas a remojo antes de lavarlas. De este modo se evitan los programas de lavado adicional. Extraiga el cesto para facilitar la carga del lavavajillas.

Uso del cesto inferior

Coloque la vajilla más sucia en el cesto inferior: cazuelas, sartenes, tapas, fuentes de servir y cuencos, como se muestra en la figura situada a la derecha.

Es mejor colocar las fuentes de servir y las tapas en los laterales del cesto para evitar que bloqueen el brazo aspersor superior.

- Coloque las cazuelas, fuentes de servir, etc. boca abajo.
- Coloque las cazuelas altas inclinadas para que el agua pueda fluir.
- Coloque los cubiertos en el cesto correspondiente con los mangos hacia abajo; si el cesto posee cestas laterales, coloque las cucharas de forma individual en las ranuras correspondientes. Coloque los cubiertos largos en horizontal en la parte exterior del cesto superior.

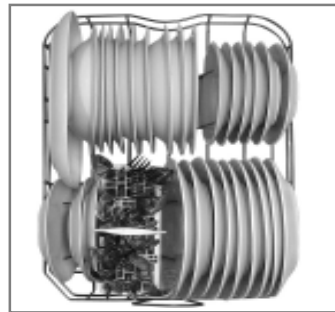
Uso del cesto superior

El cesto superior está diseñado para contener la vajilla más delicada, por ejemplo vasos, tazas y platos de café, además de platos normales, pequeños cuencos y cazuelas poco profundas (siempre que no estén muy sucios).

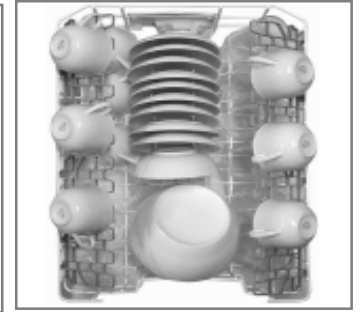
Coloque la vajilla y las ollas y sartenes de manera que no se muevan con el chorro de agua.

Se puede regular la altura del cesto superior mediante los botones laterales (vea la fig.B).

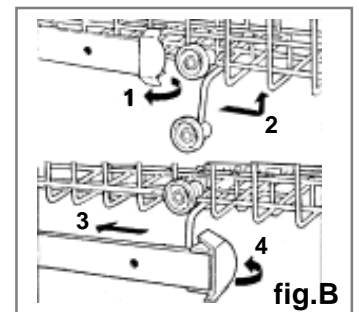
Cesto inferior



Cesto superior



Carga estándar de 9 servicios



Inicio del programa de lavado

- Compruebe que el enchufe del aparato está introducido en la toma de corriente de la pared.
- Asegúrese de que el grifo de suministro de agua está completamente abierto.
- Cargue el lavavajillas (consulte el apartado "Carga del lavavajillas").
- Vierta el detergente (consulte los apartados correspondientes a "sal, detergente y abrillantador").
- Gire el mando situado a la derecha del panel de control en el sentido de las agujas del reloj hasta la posición del programa que desea iniciar (consulte "Tabla de programas de lavado").
- Pulse el botón ON-OFF; el indicador luminoso ON-OFF se enciende. En ese momento comienza el programa de lavado.

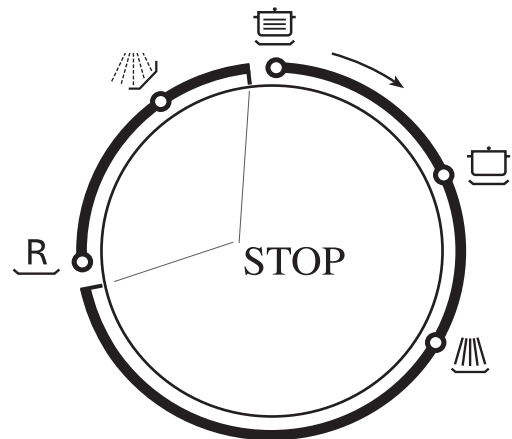
Cancelación o modificación de un programa de lavado






Pulse el botón ON-OFF para que se apague el indicador luminoso ON. Gire el mando en sentido de las agujas del reloj hasta el programa de lavado deseado (consulte el apartado "Inicio del programa de lavado"). A continuación, vuelva a poner el lavavajillas en marcha mediante el botón ON-OFF.

Al final del programa de lavado

Cuando el mando esté alineado con la marca de STOP (vea la figura), el programa ya ha terminado. Apague el aparato con el botón ON-OFF, cierre el grifo de suministro del agua y abra la puerta del lavavajillas.

Espere unos minutos antes de descargar el lavavajillas para evitar manipular la vajilla y los utensilios de cocina aún calientes, ya que son más susceptibles de romperse. Además, se secará mejor.



Programa	Información para la selección del programa	Descripción del programa	Detergente	Abrillanador
 Intensivo	Vajilla, ollas y sartenes muy sucias (no debe utilizarse con vajilla delicada).	Prelavado con agua fría. Programa de lavado largo a 55°C. Aclarado con agua fría. Aclarado con agua caliente. Secado.	30 g	★
 Lavado normal IEC-EN 50242	Vajilla, ollas y sartenes con un grado de suciedad normal. Programa diario estándar.	Programa de lavado largo a 55°C. Aclarado con agua fría. Aclarado con agua caliente. Secado.	25+5g	★ (5)
 Aclarado	Para platos que solo precisan aclarado y secado.	Aclarado con agua fría. Aclarado con agua caliente. Secado.		★
 Lavado de Vidrios	Ciclo económico y veloz para piezas más sensibles a las altas temperaturas, a utilizar inmediatamente después del uso.	Lavado a 55°C. Enjuague caliente.	15 g	
 Remojo	Prelavado de la vajilla, ollas y sartenes mientras se completa la carga.	Lavado corto en frío para evitar que se peguen los restos de comida en la vajilla.		

- Para ahorrar energía es importante probar y utilizar el lavavajillas cuando está completamente lleno. Para evitar la formación de malos olores y que los alimentos se peguen en la vajilla, utilice el programa en frío.
- Elija el programa de lavado correcto: la elección depende del tipo de vajilla, de las ollas y sartenes y del grado de suciedad.
- Utilice la cantidad justa de detergente: no por utilizar más detergente la vajilla queda más limpia, sin embargo, el impacto negativo en el medio ambiente es mayor.
- No es necesario aclarar la vajilla y las ollas y sartenes antes de introducirlas en el lavavajillas.

Cómo cuidar el lavavajillas

Después de cada lavado

Cierre el grifo de suministro de agua y deje la puerta entreabierta para evitar que se formen malos olores y humedad en su interior.

Saque el enchufe

Antes de efectuar cualquier operación de limpieza o mantenimiento. No corra riesgos.

No utilice productos de limpieza abrasivos ni disolventes

Para limpiar el exterior y las partes de goma del aparato. Utilice un paño humedecido con agua tibia y detergente.

Para eliminar las manchas de la superficie interior, utilice un paño humedecido en agua con un poco de vinagre o un producto de limpieza especial para lavavajillas

Desplazamiento del aparato

Si fuera necesario mover el aparato, intente mantenerlo en posición vertical. Si fuera absolutamente necesario, puede tumbarse sobre la parte posterior.

Juntas

Una de las causas de la formación de malos olores en el lavavajillas es que las partículas de comida quedan atrapadas en las juntas. Limpie periódicamente las juntas con una esponja húmeda para evitarlo.

Cuando vaya a ausentarse por vacaciones

Recomendamos ejecutar un ciclo de lavado con el lavavajillas vacío, sacar el enchufe, cerrar el grifo y dejar la puerta entreabierta. De este modo se evita el deterioro de las juntas y la formación de malos olores en el interior del aparato.

Conjunto del filtro

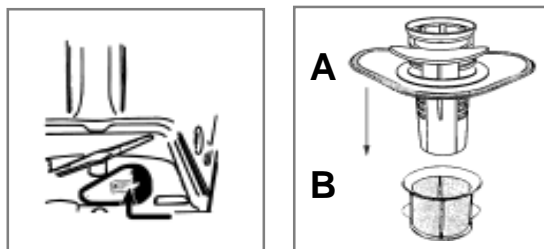
Para obtener el mejor rendimiento y los mejores resultados es necesario limpiar el filtro.

El filtro elimina las partículas de comida del agua utilizada en el lavado y permite que recircule durante el programa. Por esta razón, se aconseja quitar las partículas de comida más grandes depositadas en el filtro, después de cada lavado. Para ello, limpie el filtro semicircular y el tapón (A) con agua corriente. Para extraer el conjunto del filtro, tire del asa del tapón hacia arriba. Todo el conjunto del filtro (compuesto por un filtro semicircular (A) y un filtro fino (B)) deben limpiarse al menos una vez al mes. Para limpiar el filtro y el filtro de malla fina, utilice un cepillo. A continuación, vuelva a montar las piezas del filtro como se muestra en la figura, coloque todo el conjunto en su emplazamiento en el lavavajillas y presiónelo hacia abajo.

No utilice nunca el lavavajillas sin los filtros. Si se insertan los filtros de forma incorrecta se reduce el rendimiento del aparato y puede dañarse la vajilla y los utensilios.

Limpeza de los brazos aspersores

Puede ocurrir que las partículas de alimentos se incrusten en los brazos aspersores y bloqueen los orificios (vea el apartado "Primer plano" [Interior], letras C-F). Compruebe los brazos aspersores de forma periódica y límpielos siempre que sea necesario.



Lavar la red de filtro del agua entrada

Lave la red de filtro del grifo dónde sale el agua regularmente. Después de cerrar el grifo, desenrosque el extremo del tubo de toma, saque la red de filtro y la lave con agua limpio. Finalmente, reduzca la red de filtro y enroque el tubo de toma.

Solución de problemas

En ocasiones, puede que el lavavajillas no funcione correctamente o no funcione en absoluto. Antes de llamar al Servicio

de asistencia técnica, compruebe si se ha olvidado de presionar uno de los botones o de ejecutar algún paso importante.

El lavavajillas no se pone en marcha

Ha comprobado si:

- está correctamente enchufado el aparato;
- hay corriente eléctrica en la casa;
- la puerta está correctamente cerrada;
- el interruptor ON-OFF está en "ON";
- el grifo del agua está abierto?

El lavavajillas no coge agua

Ha comprobado si:

- el grifo está abierto y el tubo flexible está conectado correctamente;
- el suministro de agua a la casa está abierto y con presión suficiente;
- el tubo flexible del agua está torcido o doblado;
- el filtro del tubo flexible de suministro del agua está obstruido?

La vajilla no está limpia

Ha comprobado si:

- el grifo está abierto y el tubo flexible está conectado correctamente;
- el suministro de agua a la casa está abierto y con presión suficiente;
- el tubo flexible del agua está torcido o doblado;
- el filtro del tubo flexible de suministro del agua está obstruido?

El lavavajillas no vacía el agua

Ha comprobado si:

- el tubo de desagüe está torcido o doblado?

Acumulación de cal o película blanca en la vajilla

Ha comprobado si:

- el tapón del contenedor de sal está correctamente cerrado;
- la dosis de abrillantador es la correcta?

Si a pesar de todas las comprobaciones anteriores, el lavavajillas no funciona y persiste el problema, póngase en contacto con el servicio técnico autorizado y proporcione la siguiente información:

- la naturaleza del problema;
- el modelo (Mod...) y el número de serie (S/N...), incluidos en la placa situada en la parte interior de la puerta.

No recurra a un servicio técnico no autorizado y acepte sólo piezas originales.

Colocación del aparato

Coloque el aparato en la ubicación deseada. La parte trasera debe estar contra la pared y los laterales contra los armarios o paredes adyacentes. El lavavajillas está equipado con toma de agua y tubos de desagüe que pueden colocarse a la izquierda o a la derecha, según sea necesario, para facilitar la instalación.

Nivelación del aparato

Una vez colocado el lavavajillas, ajuste los pies para nivelarlo (enroscar o desenroscar). En cualquier caso, el aparato no debe estar inclinado más de 2°. Si el aparato está nivelado, el rendimiento mejora.

Conexión del agua fría

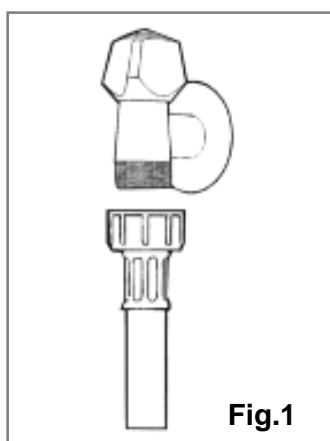
Conecte el tubo flexible de alimentación del agua fría a un conector de rosca de 3/4 (gas) y asegúrese de que está correctamente enroscado (consulte la fig.1).

Si los tubos del agua son nuevos o si no se han utilizado durante mucho tiempo, deje correr el agua para asegurarse de que el agua está limpia y sin impurezas. Si no se toma esta precaución, puede bloquearse la toma de agua y dañar el aparato.

Conexión del agua caliente

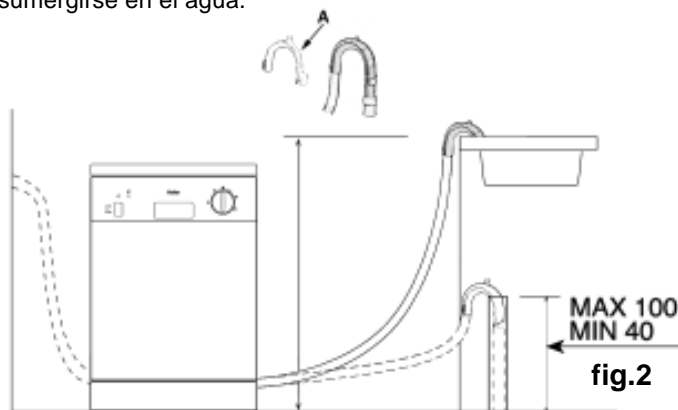
El suministro de agua del aparato también puede conectarse a la tubería del agua caliente de la casa (sistema centralizado, sistema de calefacción), siempre que no supere los 60°C.

En este caso, la duración del ciclo de lavado se acorta unos 15 minutos y se reduce ligeramente la eficacia del lavado. La conexión a la tubería del agua caliente se realiza del mismo modo que a la del agua fría.



Conexión del tubo de desagüe

Introduzca el tubo de desagüe en una tubería de desagüe con un diámetro mínimo de 4 cm o colóquelo en el fregadero y asegúrese de que no esté torcido ni doblado. Utilice el soporte especial de plástico que se incluye con el aparato (vea la fig. 2). El extremo libre del tubo debe estar a una altura entre 40 y 100 cm y no debe sumergirse en el agua.



Atención:


Fije correctamente el soporte especial de plástico del tubo a la pared para evitar que se mueva y se derrame agua fuera.

Conexión eléctrica

Una vez comprobado que el voltaje y la frecuencia de la casa y los de la placa de datos (situada en la parte interior de la puerta de acero inoxidable del aparato) coinciden y que el sistema eléctrico está adaptado para el máximo voltaje de la placa de datos, introduzca el enchufe en la toma de corriente con una puesta a tierra adecuada (la puesta a tierra del aparato es obligatoria por ley).

Si la toma de corriente a la que se conectará el aparato no es la adecuada para el enchufe, cambie el enchufe en lugar de utilizar adaptadores o similares ya que pueden producir sobrecalentamientos y quemaduras.



El símbolo  en el producto o en su embalaje indica que este producto no se puede tratar como desperdicios normales del hogar. Este producto se debe entregar al punto de recolección de equipos eléctricos y electrónicos para reciclaje. Al asegurarse de que este producto se desecha correctamente, usted ayudará a evitar posibles consecuencias negativas para el ambiente y la salud pública, lo cual podría ocurrir si este producto no se manipula de forma adecuada.

Para obtener información más detallada sobre el reciclaje de este producto, póngase en contacto con la administración de su ciudad, con su servicio de desechos del hogar o con la tienda donde compró el producto.

AVISO

Leia atentamente as instruções do presente manual, dado que elas contêm informações importantes e essenciais para uma instalação, utilização e manutenção segura e adequada do aparelho.

CE Este aparelho está em conformidade com as seguintes directivas da CE:

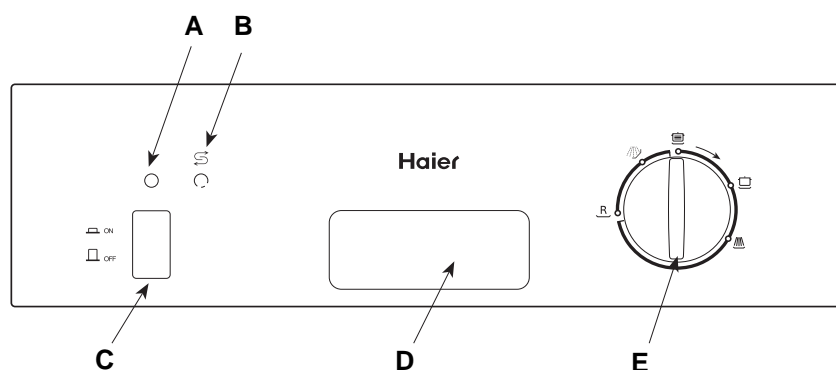
-73/23/EEC de 19 de Fevereiro de 1973 (Baixa Tensão) e posteriores alterações;

- 89/336/EEC de 3 de Maio de 1989 (Compatibilidade electromagnética) e posteriores alterações.

- Elimine cuidadosamente os materiais da embalagem.
- Após a remoção da embalagem, certifique-se de que o aparelho não está danificado. Em caso de dúvida, contacte um técnico especializado.
- A máquina apenas deve ser utilizada por adultos para a lavagem de loiça doméstica e utensílios de cozinha.
- O aparelho não se destina a ser utilizado por crianças pequenas ou por pessoas inaptas sem supervisão.
- As crianças pequenas devem ser vigiadas a fim de garantir que não brinquem com o aparelho.
- Mantenha os detergentes fora do alcance das crianças e mantenha estas últimas afastadas da máquina de lavar loiça quando esta estiver aberta.
- Este aparelho não deve ser instalado no exterior, ainda que o local esteja protegido por um telhado; também é perigoso deixá-lo exposto à chuva e aos agentes atmosféricos.
- Não toque na resistência durante ou após um ciclo de lavagem.

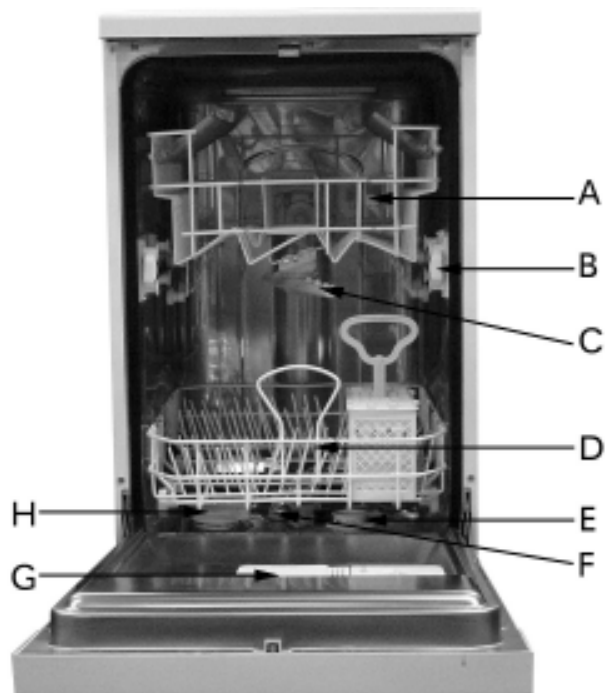
- Não se apoie nem se sente na porta quando esta estiver aberta, dado que poderá fazer com que a máquina de lavar loiça se vire.
 - Se o aparelho não funcionar devidamente, feche a água e retire a ficha da tomada. De seguida, consulte a secção intitulada "Resolução de problemas". Se não conseguir resolver o problema, contacte um centro de assistência.
 - Apenas o pessoal técnico especializado está autorizado a efectuar reparações.
 - Os aparelhos que já não sejam usados devem ficar inutilizados mediante o corte do cabo de alimentação e a remoção do fecho da porta.
 - Se o cabo de ligação eléctrica estiver danificado, esta obrigação substituído para o fabricante, ou serviço técnico ou pessoas qualificadas, para evitar perigo eléctrico.
 - Após a instalação, deverá ser possível aceder facilmente à ficha de alimentação. - Regras fundamentais relativas à utilização do aparelho:
 - * Nunca toque na máquina de lavar loiça descalço ou com as mãos ou os pés molhados;
 - * Não é aconselhável a utilização de extensões e tomadas múltiplas;
 - * Durante a instalação, o cabo de alimentação não deve ser dobrado ou achatado de forma excessiva ou perigosa;
 - * Se o aparelho não estiver a funcionar devidamente ou necessitar de manutenção, desligue-o da rede eléctrica.
- Para manter a EFICÁCIA e a SEGURANÇA deste aparelho, recomendamos:
- contacte apenas os Centros de Assistência autorizados pelo fabricante.
 - utilize sempre peças sobresselentes originais .

Vista detalhada (painel de controlo)



- A **Indicador ON-OFF**
- B **Indicador de pouco sal**
- C **Botão ON-OFF**

- D **Puxador da porta**
- E **Selector do ciclo**



- | | |
|---------------------------------------|---------------------------------------------------------|
| A Cesto superior | E Filtro de lavagem |
| B Ajustador da altura do cesto | F Braço aspersor inferior |
| C Braço aspersor superior | G Compartimento do detergente e do abrillantador |
| D Cesto inferior | H Tampa do compartimento do sal |

Características técnicas

Largura	45 cm
Profundidade	60 cm
Altura	85 cm
Capacidade	9 unidades standard
Pressão da água da rede	0.03-0.6 MPa
Voltagem	220-240V~50Hz
Consumo total de energia	1900W

Sal

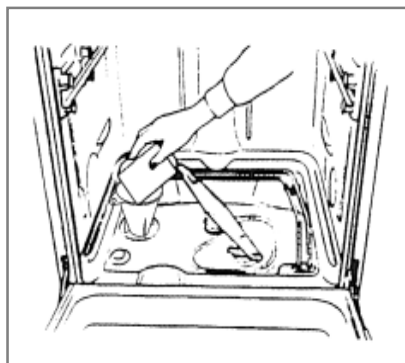
O grau de dureza da água varia de local para local. Se a água que utiliza na máquina for dura, formar-se-ão depósitos na loiça e nos utensílios.

O aparelho está equipado com um amaciador especial que utiliza um sal especificamente concebido para eliminar o calcário e os minerais da água.

Deitar o sal no amaciador

Utilize sempre sal próprio para máquinas de lavar loiça. O compartimento do sal está localizado debaixo do cesto inferior e deve ser enchido da seguinte forma:

- Retire o cesto inferior e, de seguida, desenrosque e remova a tampa do compartimento do sal;
- Se estiver a encher o compartimento pela primeira vez, encha-o com água;
- Coloque a extremidade do funil (fornecido) no orifício e introduza cerca de 2 kg de sal. É normal que uma pequena quantidade de água saia do compartimento do sal.
- Coloque cuidadosamente a tampa no lugar.



O reservatório de sal deve ser atestado após aprox. 30 ciclos de lavagem.

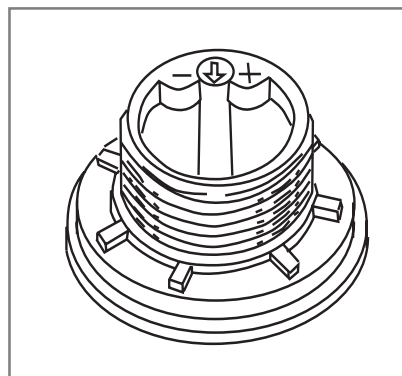
Para evitar a formação de ferrugem, coloque o sal imediatamente antes do início do ciclo de lavagem.

Ajustar o consumo de sal

A máquina de lavar loiça foi concebida para permitir o ajuste do consumo de sal de acordo com o grau de dureza da água.

Tal visa otimizar e adaptar o nível de consumo de sal por forma a reduzi-lo ao mínimo.

Para ajustar o consumo de sal, proceda da seguinte forma:



- Desenrosque a tampa do compartimento do sal;
- No gargalo do compartimento encontra-se um anel com uma seta (ver a figura acima).
- Se necessário, rode o anel no sentido contrário ao dos ponteiros do relógio, partindo do sinal "-" para a definição "+", consoante o grau de dureza da água.

Recomendamos vivamente que consulte a tabela seguinte quando necessitar de fazer ajustes.

Dureza da água					
Graus Clarke	°dH	mmol/l	Posição do Selector	Consumo de sal (Gramas/ciclo)	Autonomia (ciclos/2kg)
0 ÷ 14	0 ÷ 17	0 ÷ 1,7	/	0	/
14 ÷ 36	18 ÷ 44	1,8 ÷ 4,4	"-"	20	60
36 ÷ 71	45 ÷ 89	4,5 ÷ 8,9	MED	40	40
>71	>89	>8,9	"+"	60	25

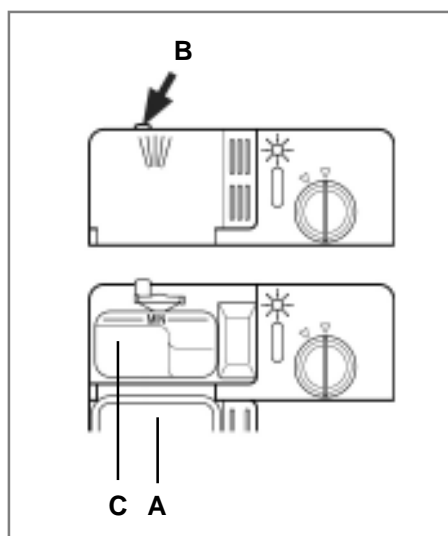
Detergente

Utilize detergentes específicos para máquinas de lavar loiça. Encha novamente o compartimento antes do início de cada ciclo de lavagem, conforme as instruções fornecidas na "Tabela de ciclos de lavagem". O compartimento do detergente está situado no painel interior da porta.

Deitar o detergente

Para abrir a tampa "A" do compartimento, prima o botão "B". Deite o detergente relativo ao ciclo de lavagem no compartimento "C".

Depois de deitar o detergente no compartimento, feche a tampa e prima-a até ela encaixar com um estalido.



Aviso: Para fechar a tampa mais facilmente, retire qualquer excesso de detergente dos rebordos do compartimento.

Abrilhantador

Este produto deixa a loiça brilhante e permite que ela seque sem manchas. O compartimento está situado no painel interior da porta e deverá ser novamente enchido ao fim de cada 80 ciclos de lavagem.

Deitar o abrilhantador

Você deve colocar o detergente de acordo com as indicações seguintes em qualquer caso.

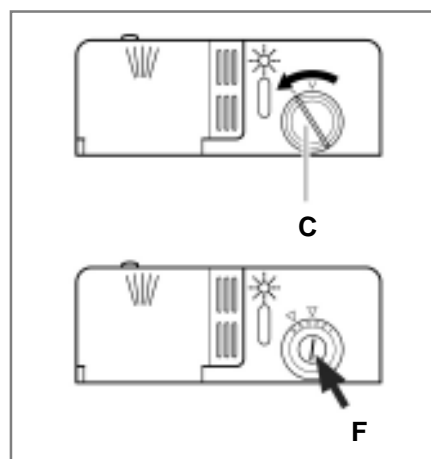
Para abrir o compartimento, rode a tampa "C" no sentido contrário ao dos ponteiros do relógio e, de seguida, adicione o abrilhantador, tendo o cuidado de não encher o compartimento em demasia.

A quantidade de abrilhantador utilizado para cada ciclo pode ser regulada rodando o doseador "F", localizado sob a tampa "C", com uma chave de fendas. Existem 6 definições diferentes; a definição normal de dosagem é 3.

Importante:

Uma dosagem adequada do abrilhantador melhora o processo de secagem.

Se a loiça ficar com gotas de água ou manchas, rode o doseador para uma definição mais elevada. Se a loiça ficar com riscas brancas, rode o doseador para uma definição mais baixa.



Antes de introduzir a loiça na máquina, elimine os resíduos maiores para evitar que o filtro fique entupido, situação passível de originar uma diminuição do rendimento.

Se tiver utilizado os tachos e as panelas na preparação de alimentos extremamente difíceis de remover, deixe-os de molho antes de os lavar. Tal eliminará a necessidade de ciclos de lavagem extra. Puxe o cesto para fora para facilitar a introdução da loiça na máquina.

Como utilizar o cesto inferior

Recomendamos que coloque as peças mais difíceis de lavar no cesto inferior: tachos, tampas, travessas e terrinas, conforme indicado na figura da direita.

É preferível colocar as travessas e as tampas na parte lateral dos cestos de modo a evitar bloquear a rotação do braço aspersor superior.

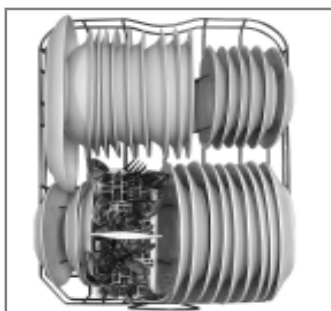
- Tachos, terrinas, etc. devem ser sempre colocados virados para baixo.
- Os tachos fundos devem ficar inclinados para permitir que a água escorra.
- Os talheres devem ser colocados no respectivo cesto com os cabos para baixo; se o cesto possuir cestos laterais, as colheres devem ser colocadas individualmente nas respectivas ranhuras. Utensílios particularmente compridos devem ser colocados na posição horizontal, na parte frontal do cesto superior.

Como utilizar o cesto superior

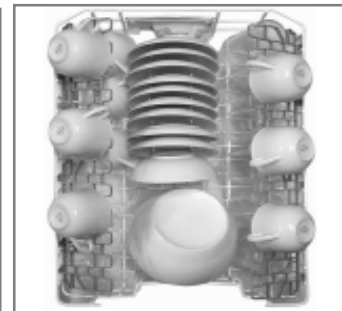
O cesto superior foi concebido para a loiça mais delicada e leve como, por exemplo, copos, chávenas de café e chá, molheiras, bem como pratos, tigelas pequenas e panelas pouco profundas (desde que não estejam demasiado sujas). Coloque os pratos e os utensílios de cozinha de forma a que não possam ser deslocados pelo jacto de água.

O cesto superior pode ser ajustado em altura através dos botões laterais (ver a fig.B).

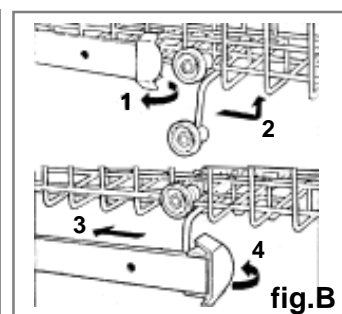
Cesto inferior



Cesto superior



Carga para 9 unidades standard



Iniciar um ciclo de lavagem

- Certifique-se de que a ficha do aparelho está inserida na tomada de parede.
- Certifique-se de que a água está aberta e com a pressão máxima.
- Introduza a loiça na máquina (ver o capítulo "Carregar Louças").
- Deite o detergente (ver o capítulo "Sal, Detergente e abrillantador").
- Rode o botão situado no lado direito do painel de controlo no sentido dos ponteiros do relógio para o número ou símbolo do ciclo desejado (ver o capítulo "Tabela de ciclos de lavagem").
- Prima o botão ON-OFF; o indicador ON-OFF acender-se-á. Iniciar-se-á, assim, o ciclo de lavagem.

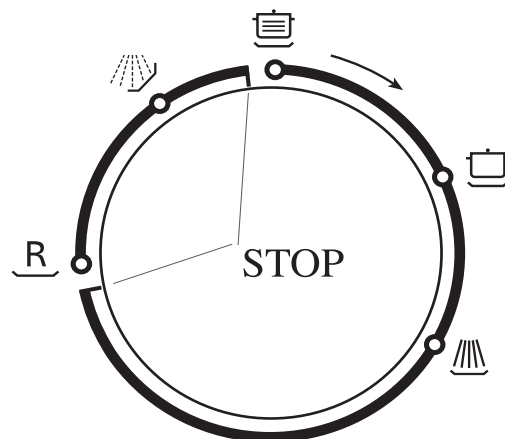
Cancelar ou alterar uma regulação do ciclo de lavagem






Prima o botão ON-OFF. O Indicador LIGA apagar-se-á. Rode o botão no sentido dos ponteiros do relógio para a regulação do ciclo desejado (ver o capítulo "Iniciar um ciclo de lavagem"). De seguida, ligue novamente a máquina de lavar loiça através do botão ON-OFF.

No fim do ciclo de lavagem

Quando o botão deixar de rodar e estiver alinhado com a marca STOP (ver figura), é sinal de que o ciclo terminou. Desligue o aparelho através do botão ON-OFF, feche a água e abra a porta da máquina de lavar loiça.

Aguarde alguns minutos antes de retirar a loiça da máquina a fim de evitar tocar nos pratos e utensílios enquanto estes ainda estiverem quentes e mais susceptíveis a quebras. Também secarão melhor desta forma.



Ciclo	Informações relativas à selecção do ciclo	Descrição do Ciclo	Detergente	Abrilhantador
 Intensivo	Pratos, tachos e panelas muito sujos (não usar com peças delicadas).	Vorspülgang mit kaltem Wasser. Lavagem prolongada a 55°C. Enxaguamento com água fria. Enxaguamento com água quente. Secagem.	30 g	★
 Lavagem normal (IEC-EN 50242)	Pratos, tachos e panelas com grau de sujidade normal. Ciclo diário standard.	Lavagem prolongada a 55°C. Enxaguamento com água fria. Enxaguamento com água quente. Secagem	25+5g	★ (5)
 Enxaguamento	Para a loiça que apenas precisa de ser enxaguada e seca.	Enxaguamento com água fria. Enxaguamento com água quente. Secagem.		★
 Copos	Ciclo económico e rápido para loiça sensível a temperaturas elevadas. A executar logo após a utilização da loiça.	Lavagem a 55°C. Enxaguamento com água quente.	15 g	
 Molho	Pré-lavagem de pratos, tachos e panelas enquanto se espera que a carga seja completada com a refeição seguinte.	Breve lavagem a frio para evitar a secagem dos resíduos na loiça.		

- É importante experimentar e utilizar a máquina de lavar loiça quando ela está totalmente cheia de modo a poupar energia. Para evitar a formação de odores e a incrustação de resíduos na loiça, utilize o ciclo de lavagem a frio.
- Seleccione o ciclo de lavagem adequado: a escolha depende do tipo de loiça, acessórios e utensílios a lavar e do grau de sujidade.
- Utilize a quantidade certa de detergente: se usar detergente em demasia, não obterá como resultado uma loiça mais limpa, mas sim um maior impacto negativo no ambiente.
- Não há qualquer utilidade em enxaguar a loiça, os acessórios e os utensílios antes de os colocar na máquina.

Como manter a sua máquina em forma

Após cada lavagem

Após cada lavagem, feche a água e deixe a porta entreaberta de modo a que a humidade e os odores não fiquem retidos no interior do aparelho.

Retirar a ficha

Antes de qualquer operação de limpeza ou manutenção, retire sempre a ficha da tomada. Não corra riscos.

Solventes ou produtos de limpeza abrasivos

Não utilize solventes ou produtos de limpeza abrasivos para limpar o exterior e as partes de borracha da máquina. Utilize um pano e água morna e sabão.

Para eliminar manchas da superfície interior, utilize um pano embebido em água e um pouco de vinagre branco ou, então, um produto de limpeza específico para máquinas de lavar loiça.

Deslocar o aparelho

Se tiver de deslocar o aparelho, tente mantê-lo na posição vertical. Poderá deslocá-lo com a parte traseira virada para baixo, se tal for absolutamente necessário.

Tampões

Um dos factores que originam a formação de odores na máquina é a acumulação de resíduos nos tampões. Uma limpeza periódica com uma esponja humedecida impedirá que tal aconteça.

Quando for de férias

Quando for de férias, execute um ciclo de lavagem com a máquina vazia e, depois, retire a ficha da tomada, feche a água e deixe a porta do aparelho entreaberta. Tal ajudará a aumentar a durabilidade dos tampões e a evitar a formação de odores no interior do aparelho.

Conjunto do filtro

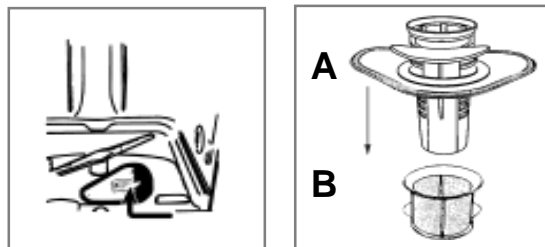
Limpe o conjunto do filtro para obter melhores resultados e um rendimento mais elevado.

O filtro elimina eficazmente as partículas de comida da água de lavagem, permitindo que ela seja reciclada durante o ciclo. Por este motivo, é aconselhável remover, após cada ciclo de lavagem, os resíduos maiores que ficarem retidos no filtro, enxaguando o filtro semi-circular e o copo (A) sob água corrente. Para remover o conjunto do filtro, puxe a pega do copo para cima. Todo o conjunto do filtro (constituído pelo filtro semi-circular (A) e pelo filtro de impurezas (B)) deverá ser limpo pelo menos uma vez por mês. Limpe o filtro e o filtro de impurezas com uma escova. Depois, monte novamente os componentes do filtro conforme indicado nas figuras abaixo e volte a inserir todo o conjunto na máquina de lavar loiça, posicionando-o no respectivo lugar e premindo-o para baixo.

Nunca utilize a máquina de lavar loiça sem os respectivos filtros. Uma substituição incorrecta dos filtros poderá diminuir o rendimento do aparelho e danificar a loiça e os utensílios.

Limpar os braços aspersores

Pode acontecer que partículas de alimentos fiquem encrostadas nos braços aspersores obstruindo, assim, o orifício (ver "Vista detalhada [interior]", letras C-F). Verifique os braços aspersores periodicamente e limpe-os quando necessário.



Limpar o filtro na entrada de água

Limpe periodicamente o filtro na entrada de água que é fixado na saída da torneira. Depois de fechar a torneira, abra o fim da mangueira e tire o filtro para o limpar com água corrente. Recoloque o filtro e parafuse a mangueira.

Resolução de problemas

Pode acontecer que a máquina de lavar loiça não funcione correctamente. Antes de contactar o serviço de assistência, veja o que pode fazer primeiro: esqueceu-se de premir um dos botões ou de realizar uma operação essencial?

A máquina de lavar loiça não começa a trabalhar

Verificou se:

- a ficha está correctamente inserida na tomada.
- tem energia eléctrica em casa;
- a porta está devidamente fechada;
- o interruptor ON-OFF está na posição "ON";
- a torneira da água está aberta.

A máquina de lavar loiça não carrega a água

Verificou se:

- a torneira da água está aberta e se a mangueira está devidamente colocada;
- tem água em casa e se esta possui uma pressão suficiente;
- a mangueira de abastecimento de água está torcida ou dobrada;
- o filtro da mangueira de abastecimento de água está obstruído.

A loiça não está lavada

Verificou se:

- a torneira da água está aberta e se a mangueira está devidamente colocada;

- tem água em casa e se esta possui uma pressão suficiente;
- a mangueira de abastecimento de água está torcida ou dobrada;
- o filtro da mangueira de abastecimento de água está obstruído.

A máquina de lavar loiça não efectua a drenagem

Verificou se:

- a mangueira de descarga está torcida ou dobrada.
- Formam-se depósitos de calcário ou uma película branca na loiça

Verificou se:

- a tampa do compartimento do sal está devidamente fechada;
- a dosagem do abrillantador está correcta.

Se, apesar de todas estas verificações, a máquina de lavar loiça não funcionar e/ou o problema persistir, contacte o centro de assistência autorizado mais próximo e forneça as informações seguintes:

- o tipo de anomalia;
- o número do modelo (Mod...) e o número de série (S/N...), indicados na chapa de características localizada no interior da porta.

Nunca contacte técnicos não autorizados e não permita a instalação de peças que não sejam originais.

Posicionar o aparelho

Posicione o aparelho no local desejado. A parte traseira deverá ficar virada para a parede e as partes laterais ao longo dos armários ou da parede adjacente. A máquina de lavar loiça está equipada com mangueiras de entrada e descarga da água que podem ser posicionadas à direita ou à esquerda para facilitar uma instalação adequada.

Nivelar o aparelho

Uma vez posicionado o aparelho, ajuste os pés (enroscando-os para dentro ou para fora) da máquina de lavar loiça até esta ficar devidamente nivelada. Em qualquer dos casos, o aparelho não deverá ficar com uma inclinação superior a 2°.

Um aparelho nivelado ajuda a garantir um desempenho adequado.

Ligação da água fria

Ligue a mangueira de abastecimento de água fria a um conector roscado (gás) de 3/4 e certifique-se de que o aperta devidamente (ver a fig.1).

Se os tubos da água forem novos ou não tiverem sido utilizados por um período prolongado, deixe a água correr para se certificar de que ela sai limpa e sem impurezas. Se não tomar esta precaução, correrá o risco de a mangueira de entrada da água ficar obstruída e de danificar aparelho.

Ligação da água quente

O tubo de abastecimento de água do aparelho também pode ser ligado ao circuito de água quente da casa (sistema central, sistema de aquecimento), desde que não exceda uma temperatura de 60°C.

Neste caso, o tempo do ciclo de lavagem será cerca de 15 minutos mais curto e a eficácia da lavagem ligeiramente reduzida.

A ligação ao circuito de água quente deve ser feita de acordo com os mesmos procedimentos utilizados na ligação ao sistema de água fria.

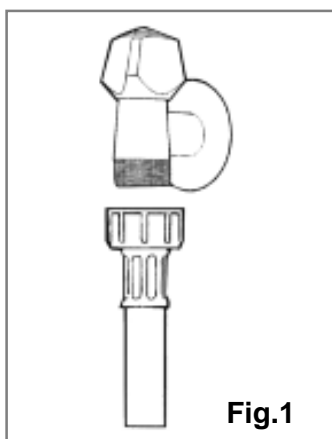
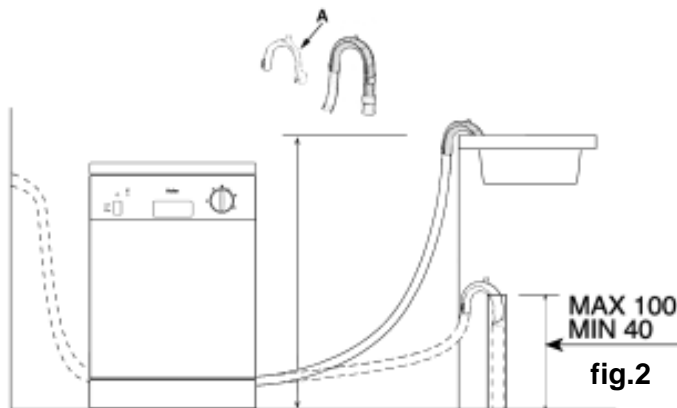


Fig.1

Ligação da mangueira de descarga

Insira a mangueira de descarga num tubo de descarga com um diâmetro mínimo de 4 cm ou deixe-a orientada para a banca, evitando dobrá-la ou torcê-la. Utilize o suporte de plástico especial fornecido com o aparelho (ver a fig. 2). A extremidade livre da mangueira deve ficar a uma altura compreendida entre 40 e 100 cm e não deve ser mergulhada em água.



Atenção:


O suporte de plástico especial da mangueira deve ser solidamente fixo à parede para evitar que a mangueira de descarga se desloque e que a água transborde para fora do tubo de descarga.

Ligação eléctrica

Depois de se certificar de que os valores relativos à voltagem e à frequência da corrente da casa correspondem aos especificados na chapa de características (localizada na porta interior de aço inoxidável do aparelho) e de que o sistema eléctrico é adequado à voltagem máxima especificada na chapa de características, insira a ficha numa tomada eléctrica devidamente ligada à terra (a ligação à terra do aparelho é obrigatória por lei).

Se a tomada eléctrica à qual o aparelho deve ser ligado não for apropriada para a ficha, substitua a ficha em vez de utilizar um adaptador, dado que tal poderá originar um sobreaquecimento e queimaduras.



O símbolo  no produto ou na embalagem indica que este produto não pode ser tratado como lixo doméstico. Em vez disso, deve ser entregue ao centro de recolha selectiva para a reciclagem de equipamento eléctrico e electrónico. Ao garantir uma eliminação adequada deste produto, irá ajudar a evitar eventuais consequências negativas para o meio ambiente e para a saúde pública, que, de outra forma, poderiam ser provocadas por um tratamento incorrecto do produto.

Para obter informações mais pormenorizadas sobre a reciclagem deste produto, contacte os serviços municipalizados locais, o centro de recolha selectiva da sua área de residência ou o estabelecimento onde adquiriu o produto.

BELANGRIJK

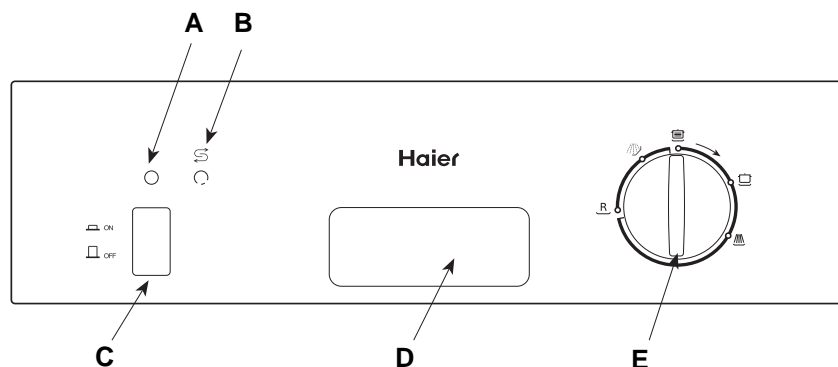
Lees de aanwijzingen in deze handleiding goed door, aangezien ze belangrijke informatie bevatten die noodzakelijk is voor een veilige en correcte installatie, gebruik en onderhoud van het apparaat.

CE Dit apparaat voldoet aan de volgende EEG richtlijnen:

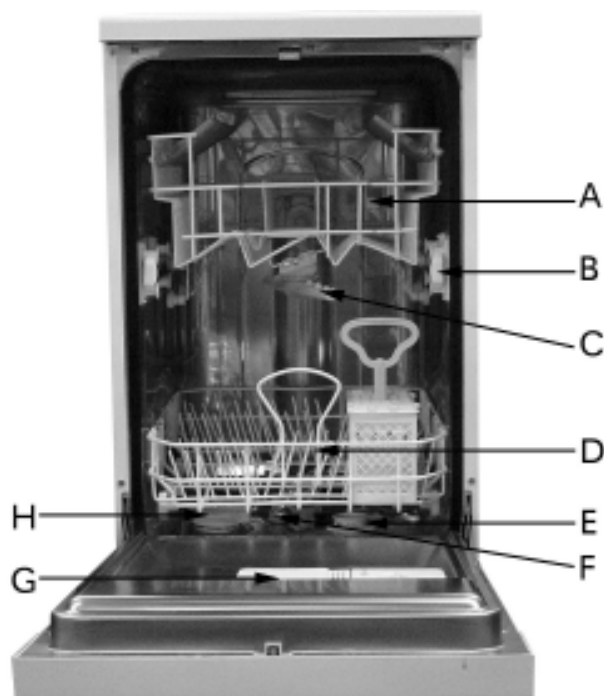
- 73/23/EEG dd. 19 februari 1973 (Laagspanning) en daaropvolgende wijzigingen;
- 89/336/EEG dd. 3 mei 1989 (Elektromagnetische Compatibiliteit) en daaropvolgende wijzigingen.
- Het verpakkingsmateriaal voorzichtig verwijderen.
- Controleer nadat de verpakking is verwijderd dat het apparaat niet beschadigd is. Bij twijfel contact opnemen met een bevoegde deskundige.
- De vaatwasser mag alleen worden gebruikt door volwassenen voor het afwassen van vaatwerk en keukengerei.
- Het apparaat is niet bestemd voor gebruik door jonge kinderen of zwakbegaafden zonder toezicht.
- Er op toezien dat jonge kinderen niet met de machine spelen.
- Zeep en dergelijke buiten bereik van kinderen houden; zorg er tevens voor dat ze niet in de buurt van de vaatwasser kunnen komen wanneer deze open staat.
- Dit apparaat niet buitenshuis installeren, zelfs niet wanneer de ruimte waar ze geïnstalleerd wordt overkapt is; het is tevens gevaarlijk om de vaatwasser bloot te stellen aan regen en natuurelementen.
- Het verwarmingselement niet aanraken gedurende of na een wascyclus.

- Niet op de deur leunen of zitten wanneer deze open staat aangezien hierdoor de vaatwasser kan kantelen.
 - Wanneer het apparaat niet werkt, de watertoevoer dichtdraaien en de stekker uit het stopcontact trekken. Vervolgens het onderdeel, "Problemen oplossen" raadplegen. Wanneer u het probleem niet op kunt lossen, contact opnemen met een servicecentrum.
 - Reparaties mogen alleen worden uitgevoerd door gespecialiseerd onderhoudspersoneel.
 - Apparaten die niet meer gebruikt worden moeten buiten bedrijf gesteld worden door het netsnoer af te koppelen en de deurvergrendeling te verwijderen.
 - Wanneer het netsnoer beschadigd is, moet dit worden vervangen bij de fabrikant, of service dealer of bevoegden persoons, voor mijden elektrische gevaren.
 - Na installatie moet de stekker bereikbaar zijn.
 - Fundamentele regels bij het gebruik van het apparaat:
 - * Raak de vaatwasser nooit aan op blote voeten of met natte handen of voeten;
 - * Wij raden het gebruik van verlengsnoeren en stekkerblokken af;
 - * Gedurende de installatie, het netsnoer niet overmatig of gevaarlijk buigen of platdrukken;
 - * Wanneer het apparaat niet goed werkt of onderhoud moet worden uitgevoerd, de stroom naar het apparaat afsluiten.
- Om de EFFICIENCY en VEILIGHEID van dit apparaat te behouden, raden wij aan:
- alleen met door de fabrikant erkende Servicecentra contact op te nemen.
 - reparatie met niet originele onderdelen te weigeren.

Detailopname (bedieningspaneel)



- | | | | |
|---|--------------------------------|---|--------------------|
| A | ON-OFF controlelampje | D | Deurgreep |
| B | Zoutniveau laag controlelampje | E | Programmakeuzeknop |
| C | ON-OFF Knop | | |



- | | | | |
|---|-----------------------|---|-------------------------------------|
| A | Bovenkorf | E | Afwasfilter |
| B | Korfhoogte afstelling | F | Onderste sproeiarm |
| C | Bovenste sproeiarm | G | Zeep- en glansspoelmiddel-dispenser |
| D | Onderkorf | H | Dop zoutreservoir |

Technische kenmerken

Breedte	45 cm
Diepte	60 cm
Hoogte	85 cm
Capaciteit	9 standaardcouverts
Druk leidingwater	0.03-0.6MPa
Stroomspanning	220-240V~50Hz
Totaal energieverbruik	1900W

Zout

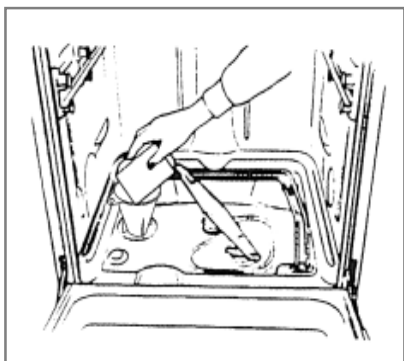
De hardheidsgraad van het water varieert van plaats tot plaats. Bij hard water in de vaatwasser vormt zich een aanslag op de borden en het keukengerei.

De machine is voorzien van een speciale waterontharder die zout gebruikt specifiek bestemd om kalk en mineralen in het water te elimineren.

Zout aanbrengen

Altijd zout gebruiken specifiek bestemd voor vaatwassers. Het zoutreservoir zit onder de onderkorf en moet als volgt worden gevuld:

- De onderkorf verwijderen en vervolgens de dop van het zoutreservoir losdraaien en verwijderen;
- Wanneer het reservoir voor het eerst wordt gevuld, eerst vullen met water;
- Plaats het uiteinde van de trechter (bijgeleverd) in de opening en breng 2 kg zout aan. Het is normaal dat een kleine hoeveelheid water uit het zoutreservoir komt.
- De dop voorzichtig weer aandraaien.



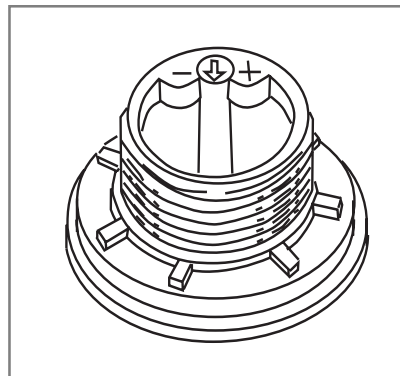
De zoutscontainer zou na ongeveer elke 30 wascycli gevuld moeten worden.

Om roestvorming te voorkomen, het zout pas aanbrengen net voor de aanvang van een wasprogramma.

Zoutverbruik aanpassen

Het zoutverbruik van de vaatwasser kan worden aangepast aan de hardheid van het water. Dit is voorzien om het zoutverbruikniveau te optimaliseren en aan te passen tot minimaal gebruik. Uw waterleidingbedrijf kan informatie verstrekken over de hardheidsgraad van het water in uw regio.

Het zoutverbruik kan als volgt worden aangepast:



- Draai het deksel van de zoutcontainer open;
- Er is een ring op de container met een pijl er op (zie illustratie op de zijkant);
- Als het nodig is moet u volgens de hardheid van het gebruikte water de ring tegen de klok in draaien van "-" naar "+".

Wij raden u aan om volgens onderstaand schema het gebruik van het zout te reguleren:

Hardheid van het water					
Clarke gradering	°dH	mmol/l	Keuze-schakelaar stand	Zout verbruik (Gram/cyclus)	Autonomie (cyclussen/ 2kg)
0 ÷ 14	0 ÷ 17	0 ÷ 1,7	/	0	/
14 ÷ 36	18 ÷ 44	1,8 ÷ 4,4	"-"	20	60
36 ÷ 71	45 ÷ 89	4,5 ÷ 8,9	MED	40	40
>71	>89	>8,9	"+"	60	25

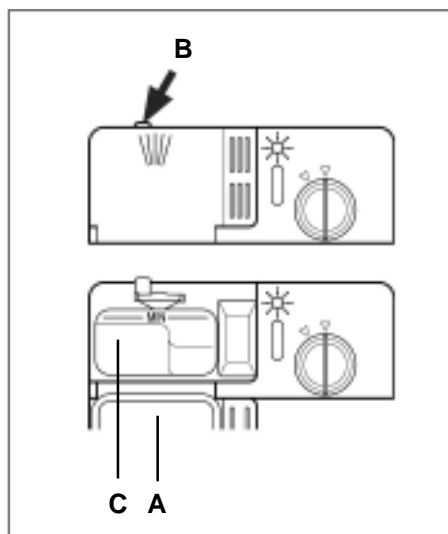
Zeep

Men moet zeep gebruiken specifiek bestemd voor vaatwassers. De dispenser telkens voor de aanvang van het wasprogramma vullen overeenkomstig de aanwijzingen in de "Wasprogramma Tabel." De dispenser zit aan de binnenzijde van de deur.

Zeep aanbrengen

Druk op knop "B" om klep "A" op de dispenser te openen. Giet de zeep voor het wasprogramma in het vakje "C".

Nadat de zeep is aangebracht, de klep sluiten en aandrukken tot deze vastklikt.



Let op: Om de klep gemakkelijk te kunnen sluiten, eventueel teveel aan zeep van de randen van de dispenser verwijderen.

Glansspoelmiddel

Dit product zorgt er voor dat het vaatwerk glanst en zonder vlekken droogt. De dispenser zit aan de binnenzijde van de deur en moet na 80 wasbeurten worden gevuld (of wanneer het glansspoelmiddel controlelampje aan gaat bij modellen voorzien van deze functie).

Glansspoelmiddel aanbrengen

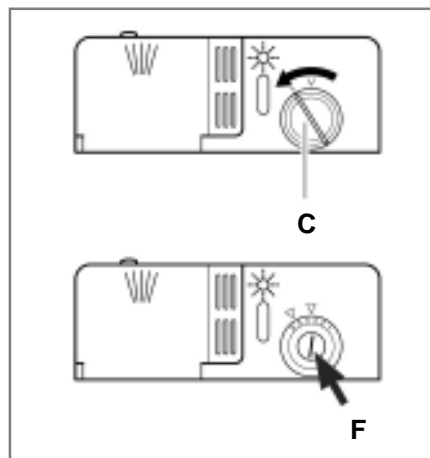
Ongeacht de type van de schoonmaakmiddel van de automaat die op uw toestel geïnstalleerd wordt, moet u verwerken zoals hieronder getoond wanneer het laden van de spoelingshulp.

Dop "C" tegen de wijzers van de klok in draaien om de dispenser te openen en het glansspoelmiddel aanbrengen zonder de dispenser te ver te vullen. De hoeveelheid glansspoelmiddel die voor elke cyclus wordt gebruikt kan worden geregeld door dosisafstelling "F" onder dop "C" te draaien met een schroevendraaier. Er zijn 6 verschillende instellingen; de standaard dosering is 3.

Belangrijk

Correcte dosering van het glansspoelmiddel bevordert een goede droging. Wanneer er waterdruppels of vlekken achterblijven op het vaatwerk, moet de dosering worden afgesteld op een hogere instelling.

Wanneer de borden witte strepen vertonen, de dosering afstellen op een lagere instelling.



Alvorens de vaat in de vaatwasser te plaatsen, zo veel mogelijk etensresten verwijderen om te voorkomen dat het filter verstopt raakt, waardoor de prestatie afneemt.

Wanneer potten en pannen aangebakken voedsel hebben dat zeer moeilijk te verwijderen is, raden wij aan deze te laten weken alvorens ze in de vaatwasser te plaatsen. Dit zal de noodzaak voor extra wasbeurten elimineren.

Trek de korf uit om de vaatwasser gemakkelijk in te ruimen.

Gebruik van de onderkorf

Wij raden aan moeilijk te reinigen voorwerpen in de onderkorf aan te brengen: potten, pannen, deksels, schalen en kommen, als getoond in nevenstaande afbeelding.

Schalen en deksels bij voorkeur aan de zijkant van de korf aanbrengen om te voorkomen dat de draaiing van de bovenste sproeiarm geblokkeerd wordt.

- Potten, schalen enz. altijd naar beneden gericht aanbrengen.
- Diepe kommen schuin aanbrengen zodat het water er uit kan stromen.
- Bestek in het bestekmandje aanbrengen met de handgrepen naar beneden; wanneer de korf zijmandjes heeft, de lepels individueel aanbrengen in de desbetreffende uitsparingen. Met name lang keukengerei horizontaal aanbrengen aan de voorzijde van de bovenkorf.

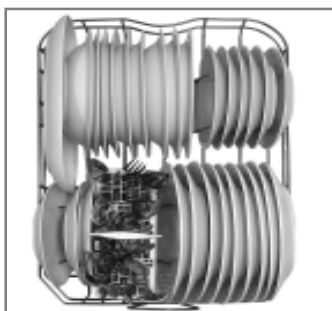
Gebruik van de bovenkorf

De bovenkorf is bestemd voor breekbaarder en lichter vaatwerk, zoals glazen, koffie- en theekoppen en schotels, alsmede borden, kommetjes en ondiepe pannen (zolang ze niet te vuil zijn).

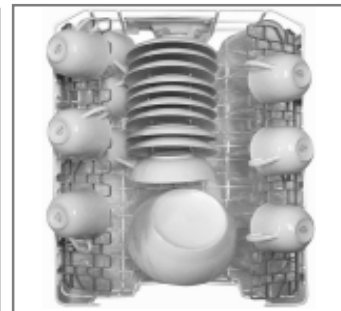
- Borden en kookgerei zo aanbrengen dat ze niet worden verplaatst door de waterstraal.

Het is mogelijk de hoogte van de korf te regelen door te draaien aan de handgrepen aan de zijkanten van de korf zelf (zie Afb.B).

onderkorf



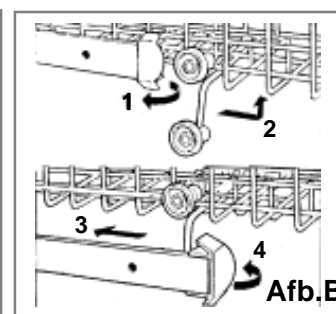
bovenkorf



lading voor 9 standaardcouverts



Afb.A



Afb.B

Een wasprogramma beginnen

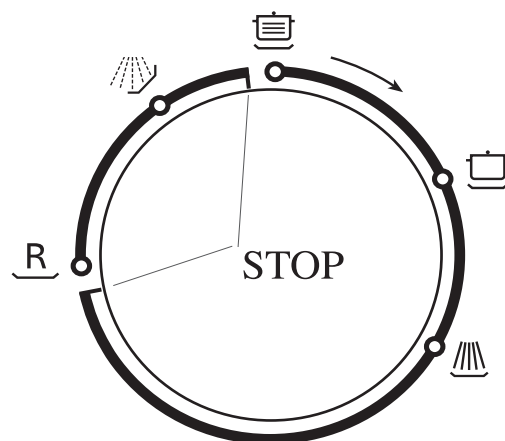
- Controleer of de stekker van het apparaat daadwerkelijk in het stopcontact gestoken is.
- Zorg er voor dat de watertoevoer volledig is opgezet.
- Zet de vaat in de vaatwasser (zie het onderdeel "De vaatwasser inruimen").
- Breng de zeep aan (zie het onderdeel "Zout, Zeep en Glansspoelmiddel").
- Draai de knop rechts op het bedieningspaneel met de wijzers van de klok mee naar het gewenste programmanummer of symbool (zie het onderdeel "Wasprogrammatabel").
- Druk op de knop ON-OFF; het ON-OFF controlelampje licht op. Op dit punt zal het afwasprogramma starten.






Het annuleren of wijzigen van de instelling van een afwasprogramma

Druk op de ON-OFF knop, het lampje AAN zal uitgaan. Draai de knop met de klok mee op de gewenste programmainstelling (zie het hoofdstuk "Een wasprogramma beginnen"). Schakel de afwasser vervolgens weer in met de ON-OFF knop.

Aan het einde van het wasprogramma

Wanneer de knop niet meer draait en in lijn is met de STOP-markering (zie afbeelding), dan is het wasprogramma klaar. Schakel de vaatwasser uit met de knop ON-OFF, zet de watertoevoer dicht en open de deur van de vaatwasser. Wacht enkele minuten alvorens de vaatwasser leeg te ruimen om te voorkomen dat borden en keukengerei worden vastgepakt terwijl ze nog heet zijn en dus gemakkelijker breken. Bovendien zullen ze beter drogen.



Wasprogramma	Wasprogrammakeuze Informatie	Beschrijving van Wasprogramma	Zeep	Glansspoeelmiddel
 Krachtig programma	Zeer vuile borden, schalen en pannen. (niet gebruiken met breekbare voorwerpen)	Voorspoelen met koud water. Uitgebreid wassen op 55°C. Spoelen met koud water. Spoelen met heet water. Drogen.	30 g	★
 Normale afwas (IEC-EN50242)	Normaal vuile borden, schalen en pannen. Standaard dagelijks wasprogramma.	Uitgebreid wassen op 55°C. Spoelen met koud water. Spoelen met heet water. Drogen.	25+5g	★ (5)
 Spoelen	Voor vaat die alleen maar afgespoeld en gedroogd hoeft te worden.	Spoelen met koud water. Spoelen met heet water. Drogen.		★
 Glaswerk	Economisch, snel programma te gebruiken voor voorwerpen die gevoelig zijn voor hoge temperaturen. Inschakelen onmiddellijk nadat het vaatwerk is gebruikt.	Wassen op 55°C. Heet spoelen.	15 g	
 Weken	Korte, koude voorspoeling om te voorkomen dat etens resten vastdrogen op de borden.	Korte, koude voorspoeling om te voorkomen dat etens resten vastdrogen op de borden.		

- Het is belangrijk te trachten de vaatwasser alleen te laten draaien wanneer ze helemaal vol is om stroom te besparen. Om te voorkomen dat geurtjes worden gevormd en eten aan de borden vastdroogt, kunt u het programma Koud voorspoelen gebruiken.
- Kies het juiste wasprogramma: de keuze is afhankelijk van het type vaatwerk en keukengerei dat wordt gewassen en hoe vuil het is.
- Gebruik de juiste hoeveelheid zeep: wanneer te veel zeep wordt gebruikt, zal dit niet resulteren in schonere borden, maar wel een grotere negatieve invloed hebben op het milieu.
- Het heeft geen nut borden, pannen en kookgerei af te spoelen alvorens ze in de vaatwasser te plaatsen.

De zorg voor uw vaatwasser

Na elke wasbeurt

Na elke wasbeurt, de watertoevoer naar het apparaat dichtzetten en de deur iets open laten staan zodat vocht en geurtjes niet worden opgesloten.

Stekker verwijderen

Alvorens reiniging of onderhoud uit te voeren, altijd de stekker uit het stopcontact nemen. Neem nooit risico's.

Geen oplosmiddelen of schurende reinigingsmiddelen

Om de buitenzijde en rubberen onderdelen van de vaatwasser te reinigen, geen oplosmiddelen of schurende reinigingsmiddelen gebruiken. Gebruik een vaatdoekje en een warm sopje.

Om vlekken en dergelijke van het oppervlak van het interieur te verwijderen, een doekje bevochtigd met water en wat witte azijn, of een schoonmaakmiddel specifiek voor vaatwassers gebruiken.

Het apparaat verplaatsen

Wanneer het apparaat moet worden verplaatst, trachten dit in verticale positie te houden. Indien absoluut noodzakelijk, dan kan het apparaat op de achterzijde gelegd worden.

Afdichtingen

Een van de oorzaken dat geuren in de vaatwasser gevormd worden zijn voedselresten die beklemd raken in de afdichtingen. Periodiek reinigen met een spons zal dit voorkomen.

Wanneer u op vakantie gaat

Wanneer u op vakantie gaat, raden wij u aan een wasprogramma te draaien terwijl de vaatwasser leeg is en vervolgens de stekker uit het stopcontact te nemen, de watertoevoer dicht te zetten en de deur op een kiertje te laten. Hierdoor zullen de afdichtingen langer mee gaan en worden er geen nare geuren gevormd in de vaatwasser.

Filterassemblage

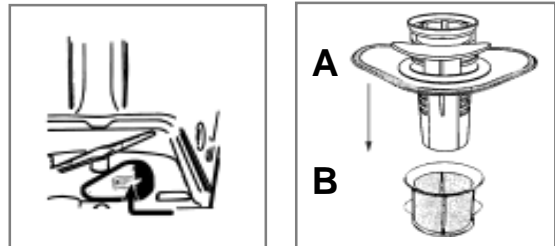
Voor de beste prestatie en resultaat, moet de filterassemblage worden gereinigd.

De filter verwijdert efficiënt etensresten uit het waswater, zodat het water tijdens het wasprogramma gecirculeerd kan worden. Het is om deze reden dan ook aan te raden om grotere etensresten die in de filter vastzitten na elke wasbeurt te verwijderen door de halfronde filter en beker (A) onder stromend water af te spoelen. Om de filterassemblage te verwijderen, de handgreep omhoog trekken. De complete filterassemblage (bestaande uit de halfronde filter (A) en fijnmazige filter (B)) minstens eenmaal per maand reinigen. De filter en fijnmazige filter met een borstel reinigen. Vervolgens de filter weer in elkaar zetten als getoond in de onderstaande afbeeldingen en de volledige assemblage weer in de vaatwasser aanbrengen en goed naar beneden aandrukken.

De vaatwasser nooit zonder de filters gebruiken. Het onjuist aanbrengen van de filters kan de prestatie van de vaatwasser verminderen en vaatwerk en keukengerei beschadigen.

De sproeiarmen reinigen

Het kan voorkomen dat etensresten vast komen te zitten op de sproeiarmen en daardoor de openingen blokkeren (zie "Detailopname [binnenzijde]", letters C-F). De sproeiarmen periodiek nakijken en indien nodig reinigen.



Maak de filter van de waterinham schoon

Maak periodiek de filter van de waterinham die op de afzet van de watervoorzieningskraan zit schoon.

Na het uitzetten van de waterkraan schroeft u het einde van de watervoorzieningsslang los, verwijdert u de filter en maakt u het zorgvuldig met zoetwater schoon. En dan laat de filter op zijn plaats terugkomen en haal de watervoorzieningsslang terug in positie.

Problemen oplossen

Het kan voorkomen dat de vaatwasser niet werkt of niet goed werkt. Kijk eerst wat er gedaan kan worden, alvorens hulp in te roepen: werd een van de knoppen niet ingedrukt om een noodzakelijke werking uit te voeren?

de vaatwasser start niet

Controleer of:

- de stekker goed in het stopcontact zit;
- er stroom is;
- de deur van de vaatwasser goed gesloten is;
- de knop ON-OFF op "ON" staat;
- de watertoevoer open staat.

De vaatwasser neemt geen water op

Controleer of:

- het water open staat en de slang goed is aangesloten;
- er watertoevoer naar de woning is en het water genoeg druk heeft;
- de watertoevoerslang geknikt of gebogen is;
- de filter voor de watertoevoerslang geblokkeerd is.

Het vaatwerk is niet schoon

Controleer of:

- het water open staat en de slang goed is aangesloten;
- er watertoevoer naar de woning is en het water genoeg druk heeft;

- de watertoevoerslang geknikt of gebogen is;
- de filter voor de watertoevoerslang geblokkeerd is.

De vaatwasser voert het water niet af

Controleer of:

- de afvoerslang geknikt of gebogen is.

Er is een kalkaanslag of witte film op het vaatwerk

Controleer of:

- het deksel van het zoutreservoir goed dicht zit;
- de dosering van het glansspoelmiddel correct is.

Wanneer ondanks deze controles de vaatwasser nog steeds niet werkt en/of het probleem aanhoudt, neem dan contact op met het dichtstbijzijnde erkende servicecentrum en verstrek de volgende informatie:

Controleer of:

- het deksel van het zoutreservoir goed dicht zit;
- de dosering van het glansspoelmiddel correct is.

Neem nooit contact op met niet erkende onderhoudstechnici en weiger reparatie met niet originele onderdelen.

De vaatwasser plaatsen

Plaats de vaatwasser in de gewenste positie. De achterzijde moet tegen de wand rusten, en de zijkanten langs de nevenliggende kasten of wand. De vaatwasser is voorzien van watertoevoer- en -afvoerslangen die links of rechts kunnen worden aangebracht om correcte installatie te vergemakkelijken.

De vaatwasser waterpas stellen

Zodra de vaatwasser in positie staat, de voetjes afstellen (door ze in of uit te draaien) tot de vaatwasser waterpas staat. In alle gevallen, mag het apparaat niet meer dan 2°, hellen. Wanneer de vaatwasser waterpas staat, zal dit bijdragen aan een correcte prestatie.

Koud water aansluiting

De koud water aanvoerslang aansluiten op een 3/4 (gas) aansluiting met schroefdraad en stevig in positie vastdraaien (zie Afb.1).

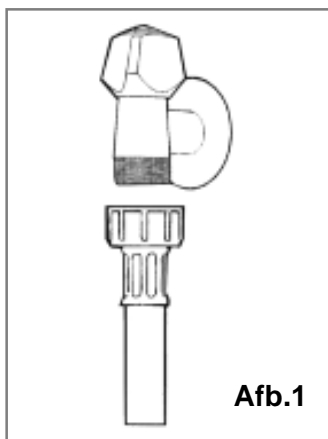
Wanneer de waterleidingen nieuw zijn of lange tijd niet gebruikt zijn, laat het water dan een tijdje lopen om er zeker van te zijn dat het water goed stroomt en vrij is van onzuiverheden. Wanneer deze voorzorgsmaatregel niet genomen wordt, is er kans dat de waterinlaat geblokkeerd raakt en dat het apparaat beschadigt wordt.

Warm water aansluiting

De watertoevoer naar het apparaat kan tevens worden aangesloten op de warm waterleiding van de woning (centraal systeem, verwarmingssysteem), zolang dit niet warmer is dan 60°C .

In dat geval wordt de programmatijd met zo'n 15 minuten ingekort en de doelmatigheid neemt enigszins af.

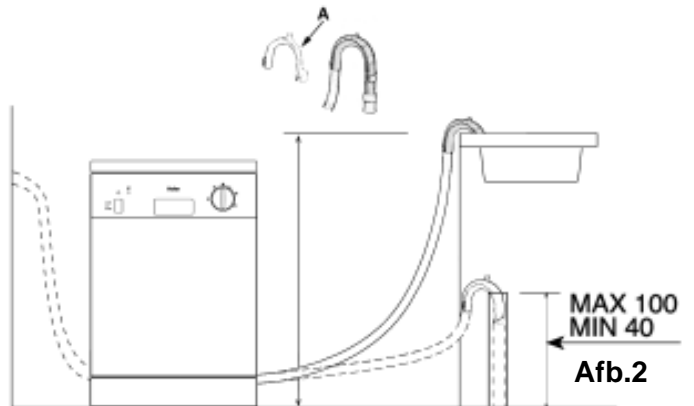
De aansluiting naar de warm waterleiding uitvoeren op dezelfde wijze als de aansluiting op de koud water leiding.



Afb.1

Afvoerslang aansluiting

Breng de afvoerslang in een afvoerbuisk aan met een minimum doorsnee van 4cm, of laat het in de gootsteen lopen, waarbij men er voor moet zorgen dat de slang niet gebogen of geknikt wordt. Gebruik de speciale kunststof steun die meegeleverd wordt (zie Afb.2). Het vrije uiteinde van de slang moet op een hoogte tussen 40 en 100 cm zijn en mag niet in water ondergedompeld zijn.



Opgelet:

De speciale kunststof steun moet stevig worden bevestigd aan de muur om te voorkomen dat de afvoerslang kan bewegen en water uit de afvoer komt.

Elektrische aansluiting

Controleer dat de spannings- en frequentiewaarden van uw woning overeenkomen met de waarden op het typeplaatje (gesitueerd op het rvs binnengedeelte van de deur van het apparaat) en dat het elektrische systeem geschikt is voor de maximum spanning op het typeplaatje, steek de stekker in een goed geaard stopcontact (de aarding van het apparaat is een wettelijk veiligheidsvoorschrift).

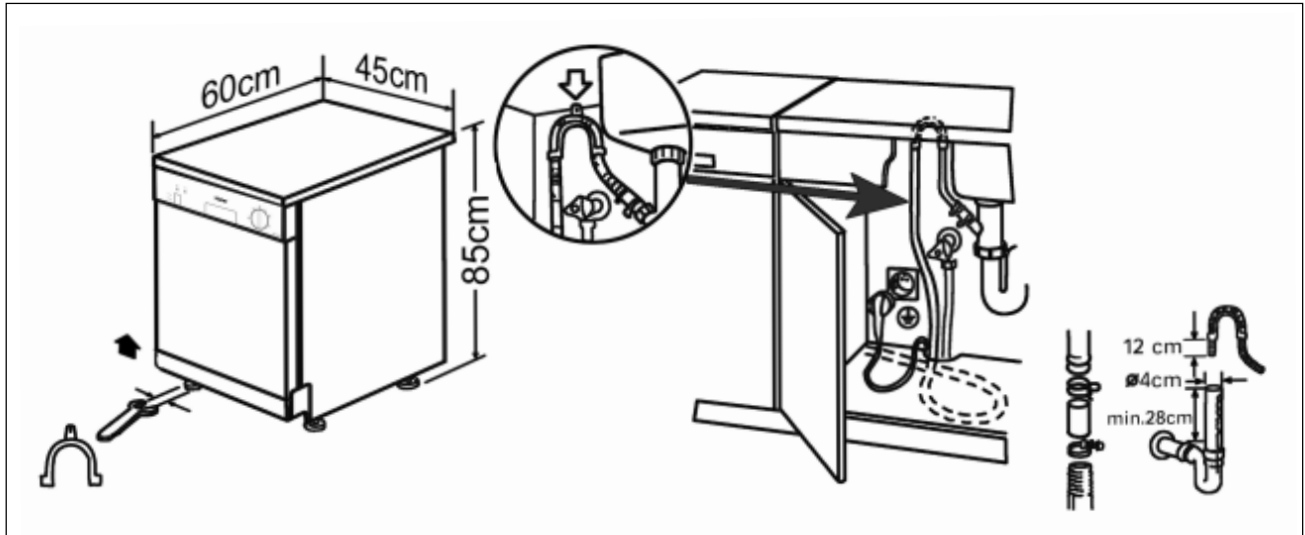
Wanneer het stopcontact waarop het apparaat wordt aangesloten niet geschikt is voor de stekker, vervang dan de stekker in plaats van adaptors of dergelijke te gebruiken aangezien deze kunnen oververhit kunnen raken en vlam vatten.



Het symbool  op het product of op de verpakking wijst erop dat dit product niet als huishoudafval mag worden behandeld. Het moet echter naar een plaats worden gebracht waar elektrische en elektronische apparatuur wordt gerecycled. Als u ervoor zorgt dat dit product op de correcte manier wordt verwijderd, voorkomt u mogelijk voor mens en milieu negatieve gevolgen die zich zouden kunnen voordoen in geval van verkeerde afvalbehandeling.

Voor meer details in verband met het recyclen van dit product, neemt u het best contact op met de gemeentelijke instanties, het bedrijf of de dienst belast met de verwijdering van huishoudafval of de winkel waar u het product hebt gekocht.

Installation



Diagram

