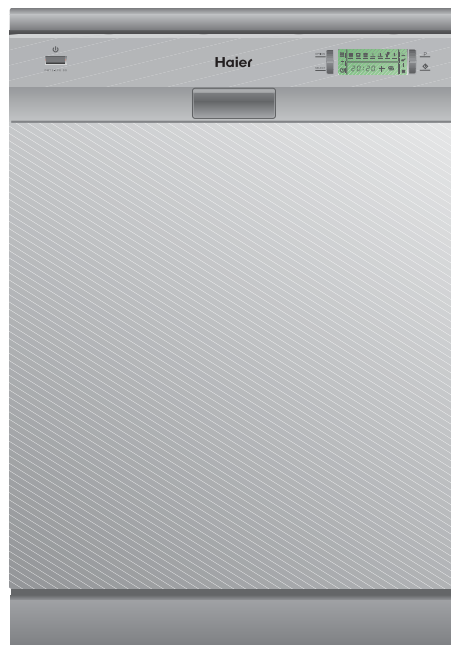


# Haier

Dishwasher

DW12-LFE SS

Instructions for Use



0120505062

en

## Safety Is a Good Habit to Develop

### NOTICE

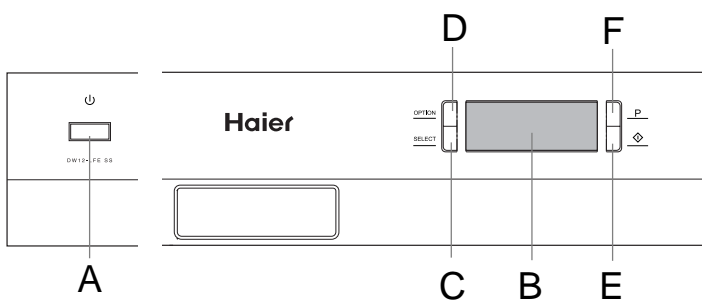
Carefully read the instructions contained in this manual, as they provide important information which is essential to safe and proper installation, use and maintenance of the appliance.

**CE** This appliance complies with the following EEC directives:

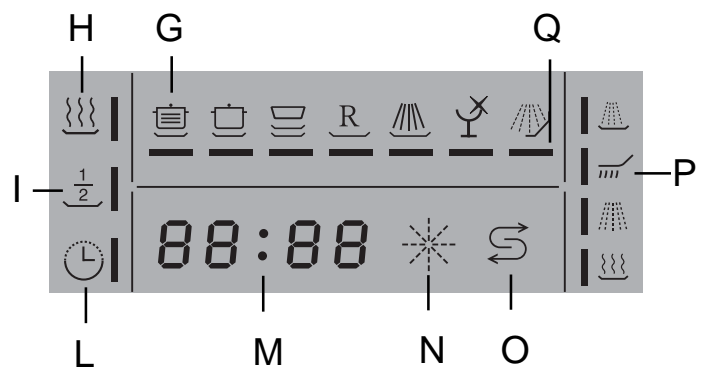
- 73/23/EEC of 19 February 1973 (Low Voltage) and subsequent modifications;
- 89/336/EEC of 3 May 1989 (Electromagnetic Compatibility) and subsequent modifications.
- Carefully dispose of the packing material.
- After removing the packing, check to make sure that the appliance is not damaged. If in doubt, contact a qualified professional.
- The dishwasher must only be used by adults for the washing of household dishes and cooking utensils.
- The appliance is not intended for use by young children or inform persons without supervision.
- Young children should be supervised to ensure that they do not play with the appliance.
- Keep detergents out of the reach of children, who must also be kept away from the dishwasher when it is open.
- This appliance cannot be installed outdoors, not even if the area in which it is installed is covered by a roof; it is also very dangerous to leave it exposed to the rain and elements.

- Do not touch the heating element during or after a wash cycle.
  - Do not lean or sit on the door when it is open as this could over turn the dishwasher.
  - If the appliance malfunctions, turn off water supply to the appliance and disconnect the plug from the wall socket. Then, consult the section entitled, "Troubleshooting." If you cannot solve the problem, contact a service centre.
  - Only specialised personnel are authorised to make repairs.
  - Appliances which are no longer being used must be made inoperable by cutting the power supply cord and removing the door lock.
  - If the supply cord is damaged, it must be replaced by a special cord or assembly available from the manufacturer or its service agent.
  - After installation, the power plug must be accessible.
  - Fundamental rules to follow when using the appliance:
    - \* Never touch the dishwasher when barefoot or with wet hands or feet;
    - \* We discourage the use of extension cords and multiple sockets;
    - \* During installation, the power supply cord must not be excessively or dangerously bent or flattened;
    - \* If the appliance is not operating properly or maintenance must be performed, disconnect the appliance from the power supply.
- To maintain the EFFICIENCY and SAFETY of this appliance, we recommend:
- call only the Service Centers authorized by the manufacturer.
  - always use original Spare Parts

## Close-up View (Control Panel)

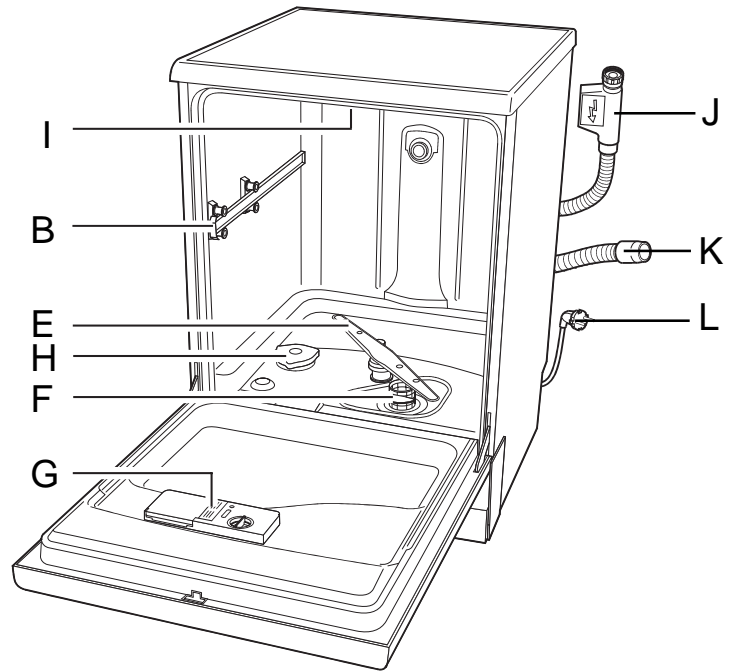
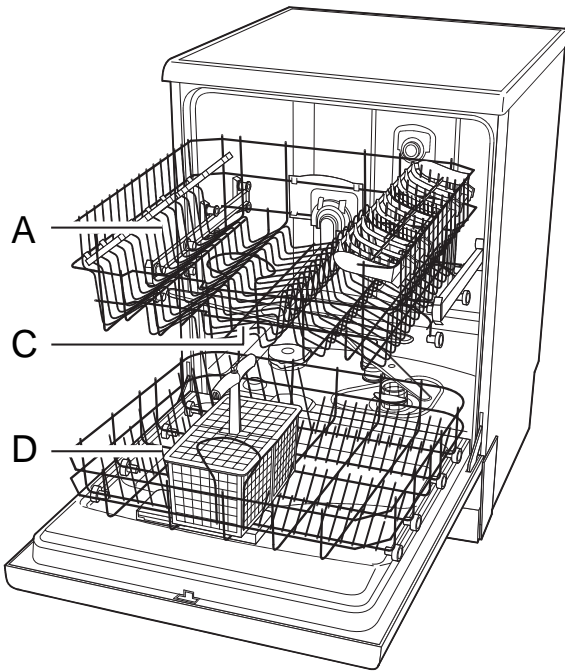


- A ON-OFF Button
- B LCD Display
- C Delayed Start Button
- D Button For "Extra Drying" or "Half Load" or "Delay"
- E Start/Pause Button
- F Program Button
- G Program indicator



- H Extra drying indicator
- I Half load indicator
- L Delayed start indicator
- M Time-remaining and delayed start indicator
- N Low rinse aid indicator
- O Low salt indicator
- P Cycle phase indicator
- Q Selection cursor

## Close-up View (Interior)



- |   |                      |   |                                   |
|---|----------------------|---|-----------------------------------|
| A | Upper Rack           | G | Detergent and Rinse Aid Dispenser |
| B | Rack Height Adjustor | H | Salt Container Cap                |
| C | Top Spray Arm        | I | Third Sprayer                     |
| D | Lower Rack           | J | Water inlet hose with "AquaStop"  |
| E | Bottom Spray Arm     | K | Drain hose                        |
| F | Washing Filter       | L | Power supply cord                 |

### Specifications

Width	60cm
Depth	60cm
Height	85cm
Capacity	12 standard place settings
Mains Water Pressure	0.03-0.6MPa
Power Voltage	220-240V~ 50Hz
Total Absorber Power	2150W
Maximum current intensity	13A

# Salt

## Salt

The hardness of the water varies from place to place. If hard water is used in the dishwasher, deposits will form on the dishes and utensils.

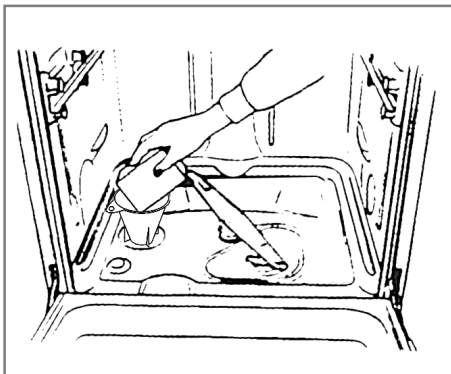
The appliance is equipped with a special softener that uses a salt specifically designed to eliminate lime and minerals from the water.

### Loading the Salt into the Softener

Always use salt intended for use with dishwashers.

The salt container is located beneath the lower rack and should be filled as follows:

- When the "low salt indicator" (O) twinkles, you must fill the salt.
- Remove the lower rack and then unscrew and remove the cap from the salt container;
- If you are filling the container for the first time, fill it with water;
- Place the end of the funnel (supplied) into the hole and append about 2 kg of salt. It is normal for a small amount of water to come out of the salt container.
- Carefully screw the cap on the back.



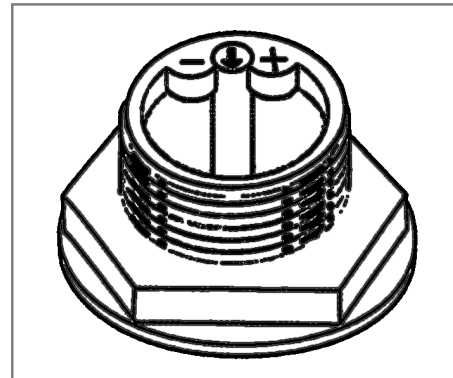
**The salt container must be filled when the "low salt" indicator light (located on the control panel) comes on.**

*To prevent the formation of rust, load the salt just before beginning a wash cycle.*

## Adjusting Salt Consumption

The dishwasher is designed to allow for adjusting the amount of salt consumed based on the hardness of the water used. This is intended to optimize and customize the level of salt consumption so that it remains at a minimum. Your local Water Board can supply the degree of hardness of the water in your area.

To adjust salt consumption, proceed as follows:



- Unscrew the cap from the salt container;
- There is a ring on the container with an arrow on it (see figure), If necessary, rotate the ring in an anticlockwise direction from the "-" setting towards the "+" sign, based on the hardness of the water being used.

It is recommended that adjustments be made in accordance with the following scheme:

Water Hardness					
Clarke degrees	°dH	mmol/l	Selector position	Salt consumption (Grams/cycle)	Autonomy (cycles/2kg)
0 ÷ 14	0 ÷ 17	0 ÷ 1,7	/	0	/
14 ÷ 36	18 ÷ 44	1,8 ÷ 4,4	"-"	20	60
36 ÷ 71	45 ÷ 89	4,5 ÷ 8,9	MED	40	40
>71	>89	>8,9	"+"	60	25

## Detergent and Rinse Aid

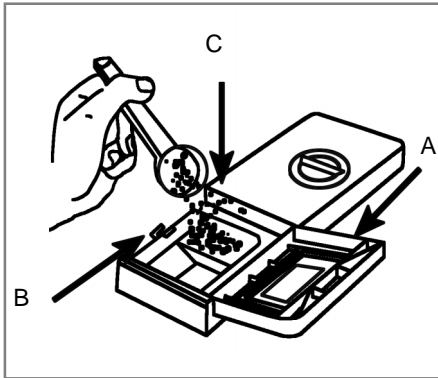
### Detergent

Detergent specifically intended for use with dishwashers must be used. The dispenser must be refilled before the start of each wash cycle following the instructions provided in the "Wash Cycle Table." The detergent dispenser is located on the inside panel of the door.

### Loading the detergent

To open the "A" cover on the dispenser, press the "B" button. The detergent for the wash cycle should be poured into the "C" compartment.

After the detergent has been placed in the dispenser, close the cover and press down until it clicks in place.



**Note:** To facilitate closing the cover, remove any excess detergent on the edges of the dispenser.

### Rinse Aid

This product makes dishes froth and helps them to dry without spotting. The dispenser is located on the inside panel of the door and should be filled after "low rinse aid indicator" (N) blinks..

### Loading the Rinse Aid

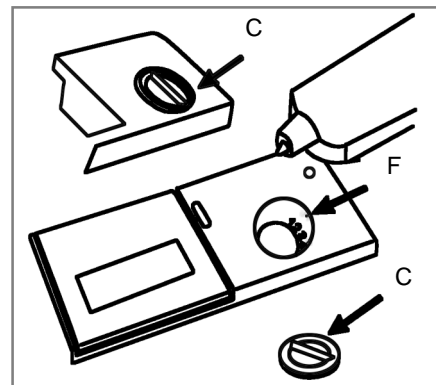
To open the dispenser, turn the "C" cap in an anti-clockwise direction and then pour in the rinse aid, making sure not to overfill. The amount of rinse aid used for each cycle can be regulated by turning the "F" dose adjuster, located beneath the "C" cap, with a screwdriver. There are 6 different settings; the normal dosage setting is 3.

### Important

*Proper dosage of the rinse aid improves drying.*

*If drops of water remain on the dishes or spotting occurs, the dosage adjuster should be turned to a higher setting.*

*If the dishes have white streaks, turn the dosage adjuster to a lower setting.*



# Loading the Dishwasher

Before placing the dishes in the dishwasher, remove larger food particles to prevent the filter from becoming clogged, which results in reduced performance.

If the pots and pans have baked-on food that is extremely hard to remove, we recommend that they are soaked before washed. This will eliminate the need for extra wash cycles.

Pull out the rack to load the dishwasher.

## How to use the lower rack

We recommend that you place the most difficult to clean items on the lower rack: pots, lids, serving dishes and bowls, as shown in the figure on the right.

It is preferable to place serving dishes and lids on the sides of the racks in order to avoid blocking the rotation of the top spray arm.

- Pots, serving bowls, etc. must always be placed face down.
- Deep pots should be slanted to allow the water to flow out.
- The lower rack features fold down tine rows (see fig.A) so that larger or more pots and pans can be loaded.
- The silverware basket can be doubled (see Fig. B) so that only one section may be used when the silverware load is light. This also makes space for additional pots and pans, and it can also be placed in the upper rack.
- Silverware should be placed in the silverware basket with the handles at the bottom; if the rack has side baskets, the spoons should be located individually into the appropriate slots. Especially long utensils should be placed in the horizontal position at the front of the upper rack.

## How to use the upper rack

The upper rack is designed to hold more delicate and lighter dishware, such as glasses, coffee and tea cups and saucers, as well as plates, small bowls and shallow pans (as long as they are not too dirty).

- Position the dishes and cookware so that they do not get moved by the spray of water.

The upper rack can be adjusted for height by using the knobs located on the sides of the rack itself (see Fig.C).

## Shelf

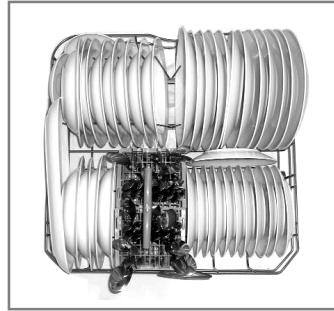
Lean tall glasses and those with long stems against the shelf-not against other items to be washed.

Place glasses, cups and small bowls on the additional cup rack. The additional cup rack can be swivelled in or out as required (see fig.D).

## Knife rack

The knife rack clips onto the side of the top basket, giving you the freedom to wash your large sharp knives separately and out of harm's way (see fig.E).

Lower Rack



Upper Rack



Load for 12 Standard Settings

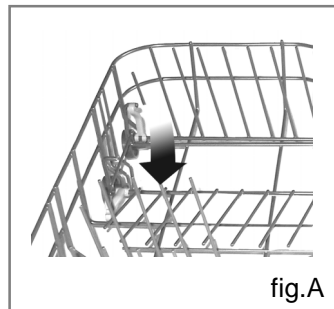


fig.A

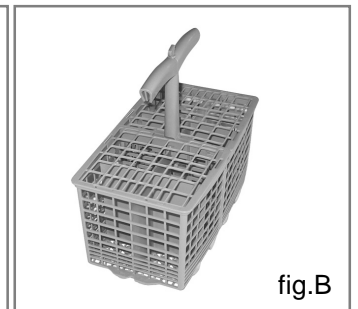


fig.B

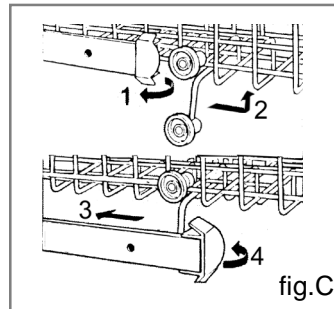


fig.C

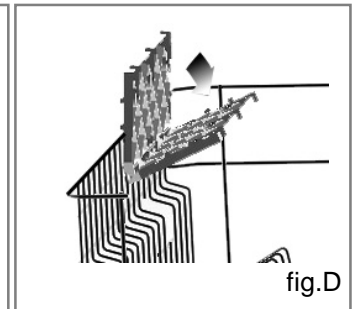


fig.D

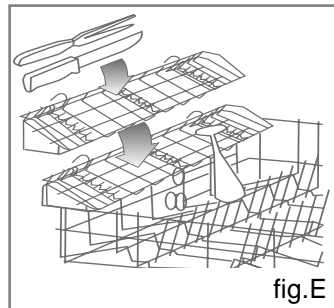


fig.E

# Starting the Appliance

## Starting a wash cycle

After having completed all of the installation steps in the preceding paragraphs, turn on the water all the way and press the ON-OFF button (A) located on the control panel. The appliance is on.



## Setting and Starting a wash Cycle

Select the desired cycle by pressing programme selection button (F). Each time the button is pressed, the cursor "Q" will come on in succession. Choose the wash cycle you feel is most appropriate for the type of dishes that need washing (consult the wash cycle table contained in this manual). After press the start-pause button (E), the wash cycle has begun and can no longer be changed. If necessary, read the paragraph entitled "Cancelling or modifying a cycle"

## Cancelling or modifying a cycle

*A cycle that is underway can only be modified if it has only been running for a short time. Otherwise, the detergent may have already been used, and the appliance may have already drained the wash water. If this is the case, the detergent dispenser must be refilled (see the paragraph entitled, "Loading the Detergent"). To modify a cycle that is already underway, press the on-off button (A), all of the settings will be cancelled. To set a new cycle, follow the instructions contained in the paragraph entitled "Setting and starting a wash cycle".*

## Wash Cycle Program Light

The dishwasher is equipped with a program indicator (G) that turns on when the appliance is running the wash cycle.

## At the end of the wash cycle

Six beeps will indicate that the wash cycle has finished and the LCD display (B) will come on (see fig.1). Turn off the appliance using the ON-OFF button. Turn off the water supply to the appliance and open the door. Wait a few minutes before unloading the dishwasher to avoid handling the dishes and utensils while they are still hot and more susceptible to breakage. They will also dry better.



fig.1

## Setting the Wash Cycle with a Delayed Start Time

By pressing the "D" button (see close-up view-'Control Panel"), select (L), and the selection cursor (L) turns on, then pressing the "C" button, the start of wash can be delayed for between 1 to 12 hours.

Each time the button is pressed, the display (M) will show the number of hours for the delay period. Choose the amount of time desired. After selecting the wash cycle, pressing the start-pause button (E), the delay time on the display will blink. This indicates that the countdown has begun.

After the time has elapsed, the cycle will start.

### NOTE:

During the delay period, it is preferable not to change any of the settings, If this is necessary, all of the settings must be cancelled by pressing the ON/OFF button (A).

At this point, all of the steps for "setting the wash cycle with a Delayed Start Time" and "Setting and Starting a wash cycle" must be repeated, following the instructions contained in the corresponding sections.

If the door is opened to the unit during the delay period, the countdown will stop. It will begin again when the door is closed.

All of the wash cycle set to reverse time function, we may in focus start circulate time.

## Wash Cycle adjustment Buttons

Button for "extra drying" or "half load" or "delay"

By pressing the "D" button in sequence, the selection cursor (Q) will come on in turn :

Extra drying -- Half load -- Delay -- Extra drying+Half load -- Extra drying+Delay -- Half load +Delay -- Extra drying+Half load + Delay  
Extra drying

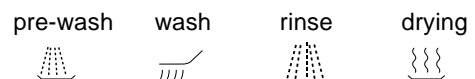
By pressing the "D" button, the drying time of extra drying will be longer, and the drying relating is better.

Half load

By pressing the "D" button, this button (see "close-up View - Control Panel", letter "D") makes it possible to wash dishes using only the upper rack if there are not enough dishes for a full load. This will allow you to save on water and power. It can be used before setting any of the wash cycle. Please keep in mind that the amount of detergent should also be cut in half.

## Cycle phase underway indication

The dishwasher is equipped an indicator "P" comprising 4 symbols which represent the different phases of a wash cycle. When the wash cycle has started, the display will indicate, the phase underway in sequence. There place are pre-wash, wash, rinse, drying.



## Energy Saving Tips

- It is important to try and run the dishwasher when it is fully loaded in order to save on energy. To prevent odours from forming and food from caking onto the dishes, you can run the soak cycle.
- Choose the right wash cycle: the choice of cycle depends on the type of dishware, cookware and utensils being washed and how dirty they are.
- Use the right amount of detergent: if you use too much detergent, the result will not be cleaner dishes, but, rather, a greater negative impact on the environment.
- There is no utility in rinsing dishes, cookware and utensils before placing them in the dishwasher.

## How to Keep Your Dishwasher in Shape

### After Every Wash

After every wash, turn off the water supply to the appliance and leave the door slightly ajar so that moisture and odours are not trapped inside.

### Remove the Plug

Before cleaning or performing maintenance, always remove the plug from the socket.

### No Solvents or Abrasive Cleaning Products

To clean the exterior and rubber parts of the dishwasher, do not use solvents or abrasive cleaning products. Use only a cloth and warm soapy water.

To remove spots or stains from the surface of the interior, use a cloth damp and a little white vinegar, or a cleaning product made specifically for dishwashers.

### Moving the Appliance

If the appliance must be moved, try to keep it in the vertical position. If absolutely necessary, it can be positioned on its back.

### Seals









One of the factors that cause odours to form in the dishwasher is food that remains trapped in the seals. Periodic cleaning with a sponge will prevent this from occurring.

### When You Go on Holiday

When you go on holiday, it is recommended that you run a wash cycle with the dishwasher empty and then remove the plug from the socket. Turn off the water supply and leave the door of the appliance slightly ajar. This will help the seals last longer and prevent odours from forming within the appliance.



## Wash Cycle Table

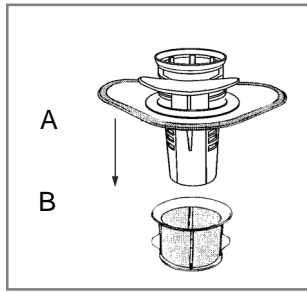
Cycle	 Extra drying	Cycle Selection Information	Description of Cycle	Detergent	Rinse Aid
 Heavy Duty	★	Very dirty dishes, pots and pans. (not to be used with delicate items)	Pre-wash with hot water. Extended wash at 70 °C. Rinse with cold water. Rinse with hot water . Drying.	30g	★
 Normal Wash	★	Normal dirty dishes, pots and pans. standard daily cycle.	Pre-wash with cold water. Extended wash at 55 °C. Rinse with cold water. Rinse with hot water . Drying.	30g	★
 Light Wash	★ (IEC-EN50242)	Normal dirty dishes, pots and pans without dried on residue.	Pre-wash with cold water. Extended wash at 50 °C. Rinse with cold water. Rinse with hot water . Drying.	25+5g	★ (5)
 Glass ware	★	Economic, fast cycle to be used for items which are sensitive to higher. Run immediately after dishes are used.	Wash at 60 °C. Rinse with warm water. Hot rinse . Drying.	15g	★
 Rapid Wash		Economic, fast cycle to be used to on not very dirty dishes right after they are used. No drying cycle.	Short wash at 40 °C Cold rinse .	15g	
 Rinse	★	For dishes that need to be rinsed and dried only	Hot rinse at 65°C . Drying.		★
 Soak		Pre-wash of dishes, pots and pans while waiting for the load to be completed after the subsequent meal.	Short cold wash to prevent food residue from drying on the dishes .		

## Cleaning and Special Maintenance

### Filter Assembly

For best performance and results, the filter assembly must be cleaned.

The filter efficiently removes food particles from the wash water, allowing it to be recirculated during the cycle. For this reason, it is advisable to remove the larger food particles trapped in the filter after each wash cycle by rinsing the semi-circular filter and cup (A) under running water. To remove the filter assembly, pull on the cup handle in the upward direction. The entire filter assembly (made up of the semicircular filter (A) and fine filter (B)) should be cleaned at least once a month. To clean the filter and fine filter, use a cleaning brush. Then, reassemble the filter parts as shown in the figures below and refit the entire assembly in the dishwasher, positioning it in its seat and pressing downward. The dishwasher must never be used without the filters. Improper replacement of the filters may reduce the performance of the appliance and damage dishes and utensils.

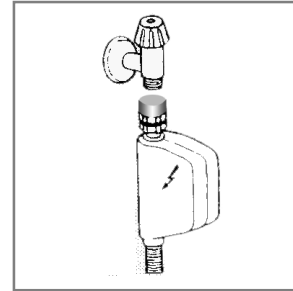


### Cleaning the Spray Arms

It may happen that food particles become encrusted on the sprayer arms and block the holes (see "Close up view interior", letters C-E). Check the sprayer arms periodically and clean them when needed.

### Cleaning the Water Inlet Filter

Periodically clean the water inlet filter located on the outlet of the water supply tap.



After turning off the water tap, unscrew the end of the water supply hose, remove the filter and clean it carefully under running water. Then, return the filter to its place and tighten the water supply hose back into position.

## Troubleshooting

It may occur that the dishwasher does not function or does not function properly. Before calling for assistance, See what can be done first: have you forgotten to press one of the buttons or to perform an essential operation?

### The Dishwasher Does Not Start

Have you checked whether:

- the plug is pushed into the socket correctly;
- the power is on in the house;
- the door is closed properly;

### The Dishwasher Does Not Load Water

Have you checked whether:

- the water is turned on and the hose is connected properly;
- the water supply to the house is on and has sufficient pressure;
- the water supply hose is crimped or bend;
- the filter for the water supply hose is clogged.

The dishwasher does not drain have you checked whether:

- the drain hose is crimped or bend.

### Lime Deposits or a White Film Form on the Dishes

Have you checked whether:

- the lid to the salt container is closed properly;
- the rinse aid dosage is correct.

If, despite all these checks, the dishwasher still does not function and/or the problem persists, contact the nearest authorised service centre and provide them with the following information:

- the nature of the problem;
- the model type number (Mod...) and the serial number (S/N...), which are indicated on the plate located on the side of the inner part of the door.

Never call on unauthorised technicians and refuse to allow parts to be installed that are not original spare parts.

## Installation

### Positioning the Appliance

Position the appliance in the desired location. The back should rest against the wall, and the sides along the adjacent cabinets or wall. The dishwasher is equipped with water supply and drain hoses that can be positioned to the right or the left to facilitate proper installation.

### Levelling the Appliance

Once the appliance is positioned, adjust the feet (screwing them in or out) of the dishwasher until it is level. In any case, the appliance should not be inclined more than 2°. If the appliance is level, it will help ensure proper performance.

### Cold Water Connection

Connect the cold water supply hose to a threaded 3/4 (gas) connector and making sure that it is fastened tightly in place (see Fig.1).

If the water pipes are new or have not been used for an extended period of time, let the water run to make sure that the water is clear and free of impurities. If this precaution is not taken, there is a risk that the water inlet can get blocked and damage the appliance.

### Hot Water Connection

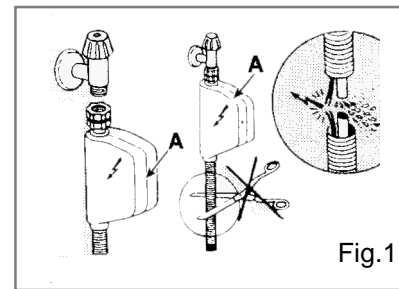
The water supply to the appliance can also be connected to the house's hot water line (centralised system, heating system), as long as it does not exceed a temperature of 60°C.

In this case, the wash efficiency slightly reduced.

The connection must be made to the hot water line following the same procedures as those for the connection to the cold water line.

### Anti-Flooding Protection

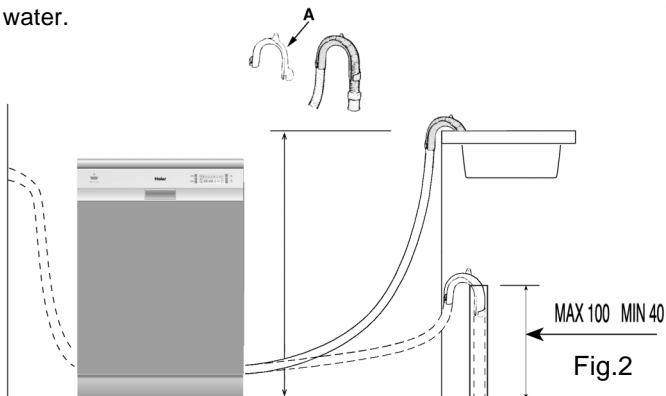
The dishwasher is equipped with a system that stops the supply of water in the event of a problem with the water supply hose, or leaks within the unit, in order to prevent damage to your home. If for any reason the box containing the electrical components happens to get damaged, remove the plug of the appliance from the socket immediately. In order to guarantee that the anti-flooding feature operates properly, the box "A" with the water supply hose must be attached to the water supply tap as shown in Fig. 1. No other type of connection is acceptable. The water supply hose must not, under any circumstances, be cut, as it contains electrical parts which are live. If the length of the hose is not adequate to make a proper connection, the hose must be replaced with one which is long enough. This hose is available upon request from specialised retailers and service centres.



## Installation

### Drain Hose Connection

Insert the drain hose into a drain pipe with a minimum diameter of 4cm, or let it run into the sink, making sure to avoid bending or crimping it. Use the special plastic support that comes with the appliance (see Fig.2). The free end of the hose must be at a height between 40 and 100 cm and must not be immersed in water.



### Attention:

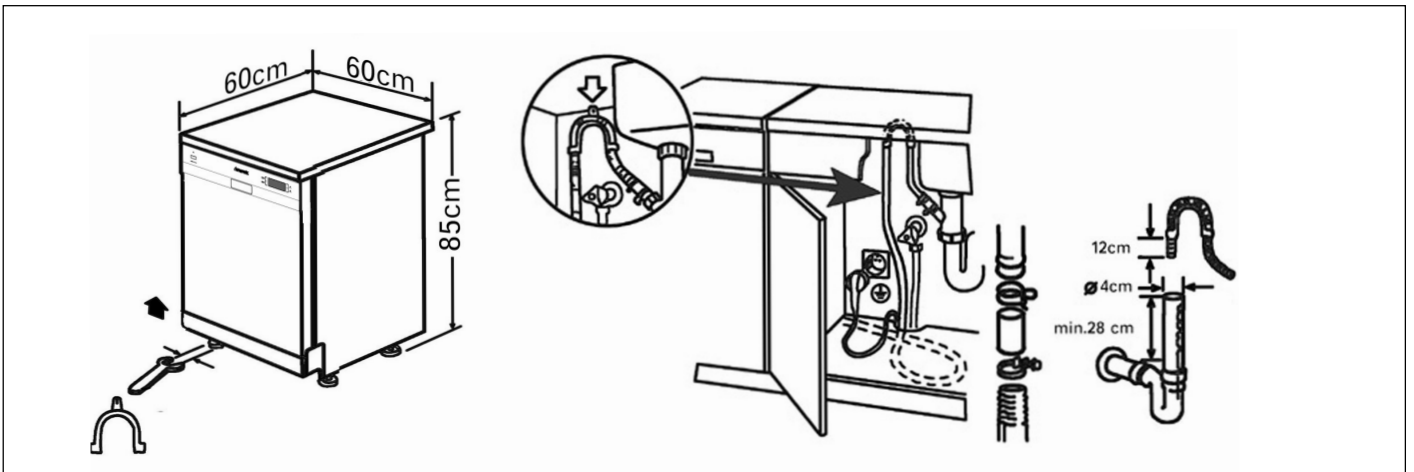
*The special plastic hose support must be solidly fastened to the wall to prevent the drain hose from moving and allowing water to spill outside the drain.*

### Electrical Connection

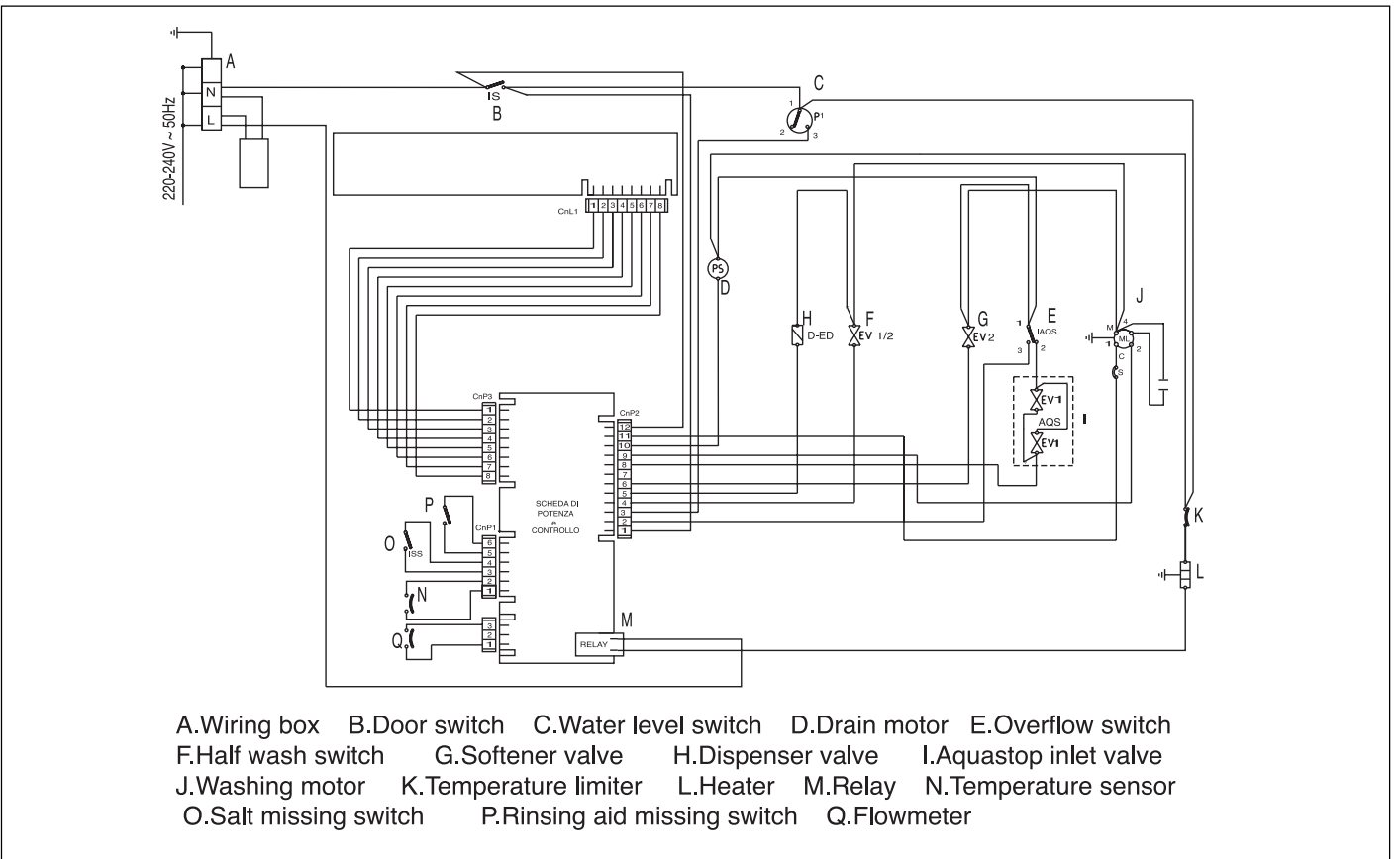
After making sure that the voltage and frequency values for the current in the home correspond to those on the rating plate (located on the stainless steel inner door of the appliance) and that the electrical system is sized for the maximum voltage on the rating plate, insert the plug into an electrical socket which is earthed properly (the earthing of the appliance is a safety requirement mandated by law).


If the electrical socket to which the appliance must be connected is not appropriate for the plug, replace the plug rather than using adapters or the like as they could cause overheating and burns.

## Installation



## Diagram



The symbol  on the product or on its packaging indicates that this product may not be treated as household waste. Instead it shall be handed over to the applicable collection point for the recycling of electrical and electronic equipment. By ensuring this product is disposed of correctly, you will help prevent potential negative consequences for the environment and human health, which could otherwise be caused by inappropriate waste handling of this product.

For more detailed information about recycling of this product, please contact your local city office, your household waste disposal service or the shop where you purchased the product.