

# Installation Instructions

# Built-In Dishwasher

For more information, call 800-GECARES or visit our website at: [www.GEAppliances.com](http://www.GEAppliances.com)

STOP

## BEFORE YOU BEGIN

Read these instructions completely and

**IMPORTANT** – Observe all local codes and ordinances.

Be sure to leave these instructions available for the use of you and your local inspector's use.

Keep these instructions with your dishwasher for future reference.

Installation of this dishwasher requires the use of an electrician with proper electrical skills. **Proper installation requires the skill and ability of the installer. Product damage due to improper installation is not covered by the Limited Warranty.**

**Installation Time: 1-2 Hours.** New installations and replacement installations.

**IMPORTANT** – The dishwasher **MUST** be installed to allow for future removal from the enclosure if service is required.

If you received a damaged dishwasher, you should immediately contact your dealer or builder.

Optional Accessories – See the Owner's Manual for available custom panel kits.

## FOR YOUR SAFETY

**Read and observe all CAUTIONS and WARNINGS shown throughout these instructions. While performing installations described in this booklet, gloves, safety glasses or goggles should be worn.**

## READ CAREFULLY. KEEP THESE INSTRUCTIONS.

PDW8100 Series  
PDW8200 Series

PDW8800 Series  
PDW9200 Series

PDW8700 Series

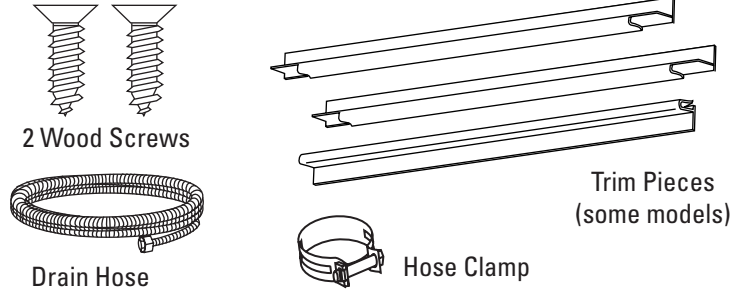
\*For PDW9700 Series also refer to the Instructions provided on the template packed with that model.



# Installation Preparation

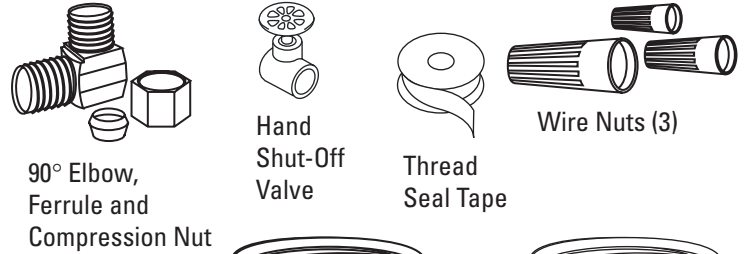
## PARTS SUPPLIED:

Two #8 Phillips flat head wood screws, 5/8" long to secure dishwasher to underside of countertop or sides of cabinetry. (Taped to top or side of dishwasher.)  
 Side and top trim pieces  
 Trim Panel Accessory Kit (not shown).  
 Model PDW9700 only  
 Drain Hose and Hose Clamp



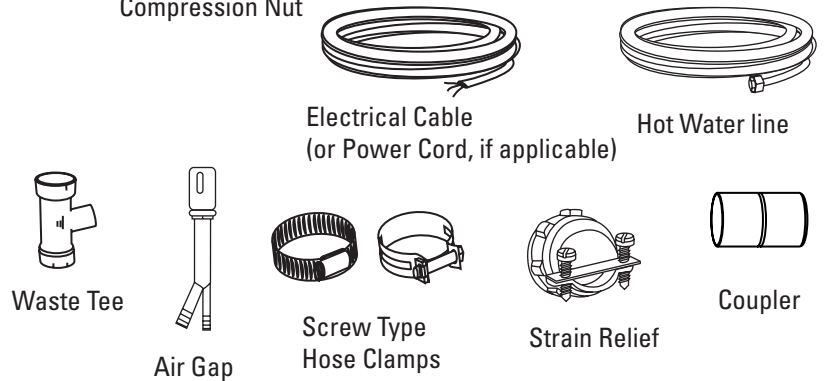
## MATERIALS YOU WILL NEED :

Ferrule, compression nut and 90° Elbow (3/8"NPT external thread on one end, opposite end sized to fit water supply)  
 Thread seal tape  
 UL Listed wire nuts (3)



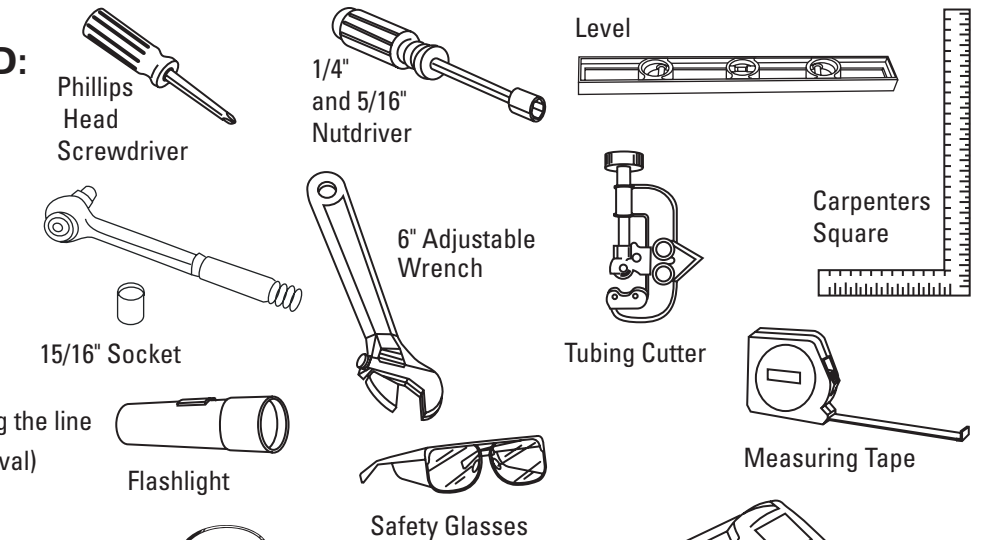
## Materials For New Installations Only:

Air gap for drain hose, if required  
 Waste tee for house plumbing, if applicable  
 Electrical cable or power cord, if applicable  
 Screw type hose clamps  
 Strain relief for electrical connection.  
 Hand shut-off valve  
 Water line 3/8" min. copper  
 Coupler for extending drain line, if applicable



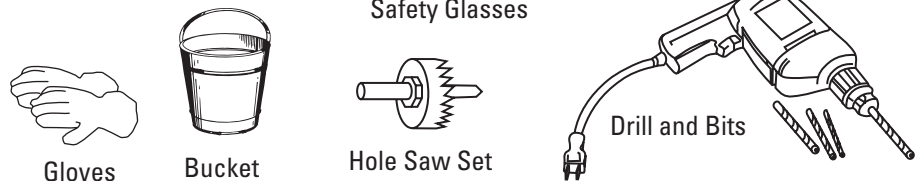
## TOOLS YOU WILL NEED:

Phillips head screwdriver  
 5/16" and 1/4" nutdriver  
 6" Adjustable wrench  
 Level  
 Carpenters square  
 Measuring tape  
 Safety glasses  
 Flashlight  
 Bucket to catch water when flushing the line  
 15/16" socket (optional for skid removal)  
 Gloves



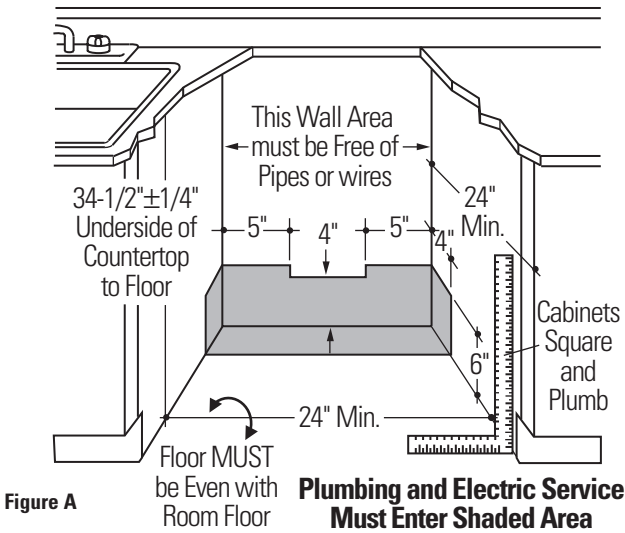
## For New Installations Only:

Tubing cutter  
 Drill and appropriate bits  
 Hole saw set



# Installation Preparation

## PREPARE DISHWASHER ENCLOSURE



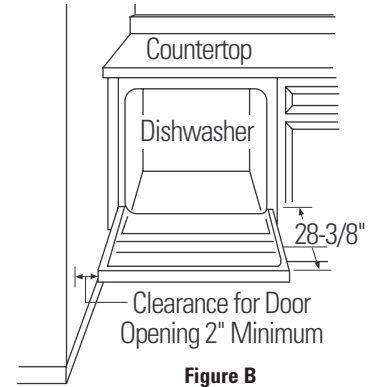
- The rough cabinet opening must be at least 24" deep, 24" wide and approximately 34-1/2" high from floor to underside of the countertop.

- The dishwasher must be installed so that drain hose is no more than 10 feet in length for proper drainage.

## ! WARNING

To reduce the risk of electric shock, fire, or injury to persons, the installer must ensure that the dishwasher is completely enclosed at the time of installation.

**CLEARANCES:** When installed into a corner, allow 2" min. clearance between dishwasher and adjacent cabinet, wall or other appliances. Allow 28-3/8" min. clearance from the front of the dishwasher for door opening. Figure B



## DRAIN REQUIREMENTS

- Follow local codes and ordinances.
- Do not exceed 10 feet distance to drain.
- Do not connect drain lines from other devices to the dishwasher drain hose.

**NOTE:** This dishwasher is equipped with a high drain loop. There is no minimum height required for drain hose routing. However, 18" minimum from floor to center of waste tee or disposer inlet is required. See Figure D.

## DETERMINE DRAIN METHOD

The type of drain installation depends on the following question.

Do local codes or ordinances require an air gap?

Is waste tee less than 18" above floor?

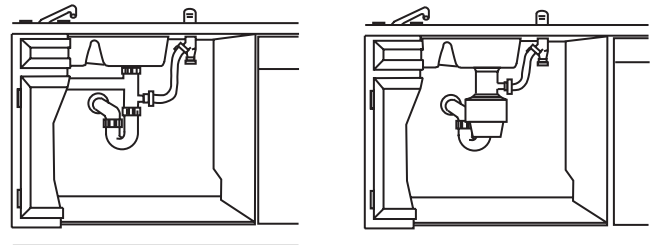
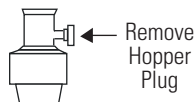
**If the answer to either question is YES, Method 1 MUST be used.**

- If the answers are NO, either method may be used.

## CABINET PREPARATION

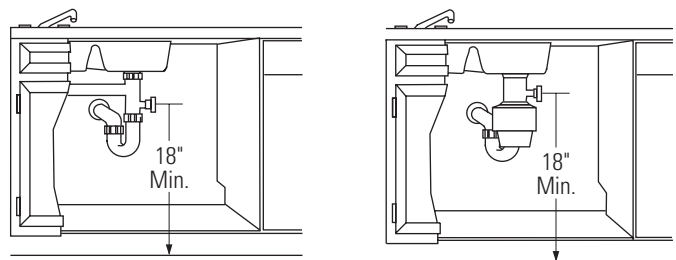
- Drill a 1-1/2" dia. hole in the cabinet wall within the shaded areas shown in Figure A for the drain hose connection. The hole should be smooth with no sharp edges.

**IMPORTANT:** When connecting drain line to disposer, check to be sure that drain plug has been removed. **DISHWASHER WILL NOT DRAIN IF PLUG IS LEFT IN PLACE.**



### Method 1 – Air Gap with Waste Tee or Disposer

An air gap must be used when required by local codes and ordinances. The air gap must be installed according to manufacturers instructions.



### Method 2 – Built-in "High Drain Loop" with Waste Tee or Disposer

# Installation Preparation

## PREPARE ELECTRICAL WIRING



### WARNING

FOR PERSONAL SAFETY: Remove house fuse or open circuit breaker before beginning installation. Do not use an extension cord or adapter plug with this appliance.

#### Electrical Requirements

- This appliance must be supplied with 120V, 60 Hz., and connected to an individual properly grounded branch circuit, protected by a 15 or 20 ampere circuit breaker or time delay fuse.
- Wiring must be 2 wire with ground and rated for 75°C (176°F).
- If the electrical supply does not meet the above requirements, call a licensed electrician before proceeding.

#### Grounding Instructions—Cable Direct

This appliance must be connected to a grounded metal, permanent wiring system, or an equipment grounding conductor must be run with the circuit conductors and be connected to the equipment grounding terminal or lead on the appliance.

#### Grounding Instructions—Power Cord Models

This appliance must be grounded. In the event of a malfunction or breakdown, grounding will reduce the risk of electric shock by providing a path of least resistance for electric current. This appliance is equipped with a cord having an equipment grounding conductor and a grounding plug. The plug must be plugged into an appropriate outlet that is installed and grounded in accordance with all local codes and ordinances.



### WARNING

The improper connection of the equipment grounding conductor can result in a risk of electric shock. Check with a qualified electrician or service representative if you are in doubt that the appliance is properly grounded.

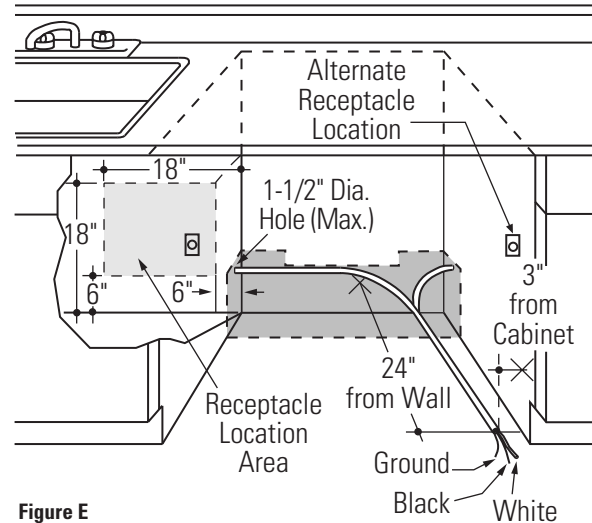


Figure E

**For models equipped with power cord:** Do not modify the plug provided with the appliance; if it will not fit the outlet, have a proper outlet installed by a qualified technician.

#### Cabinet Preparation & Wire Routing

- The wiring may enter the opening from either side, rear or the floor within the shaded area.
- Cut a 1-1/2" max. dia. hole to admit the electrical cable. Cable direct connections may pass through the same hole as the drain hose and hot water line, if convenient. If cabinet wall is metal, the hole edge must be covered with a bushing. NOTE: Power cords with plug must pass through a separate hole.

#### Electrical Connection to Dishwasher

Electrical connection is on the right front of dishwasher.

- For cable direct connections the cable must be routed as shown in Figure E. Cable must extend a minimum of 24" from the rear wall.
- For power cord connections, install a 3-prong grounding type receptacle in the sink cabinet rear wall, 6" min. or 18" max. from the opening, 6" to 18" above the floor.

# Installation Instructions

## PREPARE HOT WATER LINE

- The line may enter from either side, rear or floor within the shaded area shown in Figure F.
- The line may pass through the same hole as the electrical cable and drain hose. Or, cut an additional 1-1/2" dia. hole to accommodate the water line. If power cord with plug is used, water line must not pass through power cord hole.

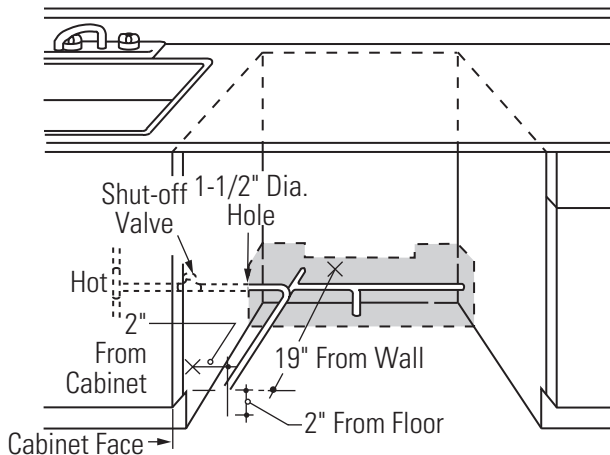


Figure F

## Water Line Connection

- Turn off the water supply.
- Install a hand shut-off valve in an accessible location, such as under the sink. (Optional, but strongly recommended and may be required by local codes.)
- Water connection is on the left side of the dishwasher. Install the hot water inlet line, using no less than 3/8" O.D. copper tubing. Route the line as shown in Figure F and extend forward at least 19" from rear wall.
- Adjust water heater for 120°F to 150°F temperature.
- Flush water line to clean out debris.
- The hot water supply line pressure must be 20-120 PSI.



## CAUTION:

Do not remove wood base until you are ready to install the dishwasher. The dishwasher will tip over when the door is opened if the wood base is removed.



## BEFORE YOU BEGIN

Locate and set aside the 2 Phillips head mounting screws wrapped with yellow tape and stuck to the top or side of the dishwasher.

## STEP 1 CHECK DOOR BALANCE

- With dishwasher on the wood skid, check the door balance by opening and closing the door.
- If the door drops when released, increase the spring tension. If the door rises when released, decrease the tension.
- Position the spring for increased or decreased tension as required.
- Model families have different spring mounting holes and tension adjustment methods. Refer to the appropriate figure for your model.

## PDW8100-PDW8800 Series

Figure G

**TIP:** If door does not open easily or falls too quickly, check the spring cable routing. Check that the cable is properly aligned on the pulley (as shown).

# Installation Instructions

## STEP 2 REMOVE WOOD BASE, INSTALL LEVELING LEGS

**IMPORTANT** — Do not kick off wood base! Damage will occur.

- Move the dishwasher close to the installation location and lay it on its back.
- Remove the four leveling legs on the underside of the wood base with an adjustable wrench or 15/16" socket.
- Discard base.

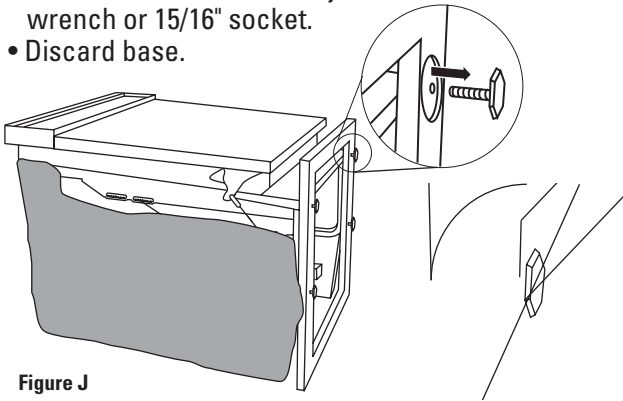


Figure J

- Screw leveling legs back into the dishwasher frame, approximately 1/4" from frame as shown.

## STEP 3 REMOVE TOEKICK

- Remove the two toekick screws.

Figure K

## STEP 5 INSTALL 90° ELBOW

- Wrap 90° elbow with thread seal tape.
- Install a 90° elbow onto the water valve.

Figure M

- Do not over tighten 90° elbow, water valve bracket could bend or water valve fitting could break.
- Position the end of the elbow to face the rear of the dishwasher.

# Installation Instructions

## STEP 6 POSITION WATER LINE AND HOUSE WIRING

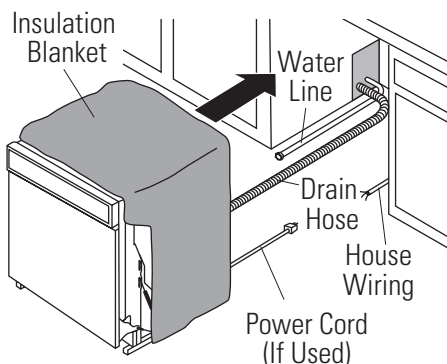
- Position water supply line and house wiring on the floor of the opening to avoid interference with base of dishwasher and components under dishwasher.

Figure N

## STEP 7 INSTALL DRAIN HOSE, GUIDE THROUGH CABINET

- Remove tape and wire tie holding the clamp to the drain hose. **Be careful not to damage the drain hose.**
- Stand the dishwasher upright.
- Slip the supplied hose clamp over the small end of the hose. Do not tighten.

Figure O



- Position the dishwasher in front of the opening. Insert drain hose into the cabinet side. If power cord is used, guide the end through a separate hole.

## STEP 8 SLIDE DISHWASHER PARTIALLY INTO CABINET

**DO NOT PUSH AGAINST FRONT PANEL WITH KNEES. DAMAGE WILL OCCUR.**

- Slide dishwasher into the opening a few inches at a time.



Figure Q

- As you proceed, pull the drain hose through the opening under the sink. Stop pushing when the dishwasher is a few inches forward of adjacent cabinetry.
- Make sure drain hose is not kinked under the dishwasher and there is no interference with the water line and wiring or any other component.

## STEP 9 INSTALL TRIM PIECES

**Skip this step if trim is not supplied with the dishwasher.**

- Locate trim strips inside dishwasher.
- Press trim onto the tub flange on each side. Start with the top edge, pressing on as you move towards the bottom.
- Press the two top trim pieces on each side of the latch.
- Open and close the door to check that trim does not bind and does not interfere with door latch.

Figure R

# Installation Instructions

## **STEP 10** POSITION DISHWASHER UNDER COUNTERTOP

- Push the dishwasher into the cabinet.
- Push at the sides with your hands. Do not use your knee against the door since door damage will occur.
- Check that the tub insulation blanket does not get “bunched-up” or interfere with the springs as you slide it into the cabinet.
- Center the dishwasher in the opening.
- Check that the edges of the dishwasher door are behind the cabinet frame and aligned with the front face of the cabinet as shown.
- Carefully open and close the door to ensure that the door panel does not catch or rub on the cabinet frame.
- If the door catches or rubs on the frame, reposition and/or level the unit (see Step 11) until the door moves freely and does not contact the cabinet frame.

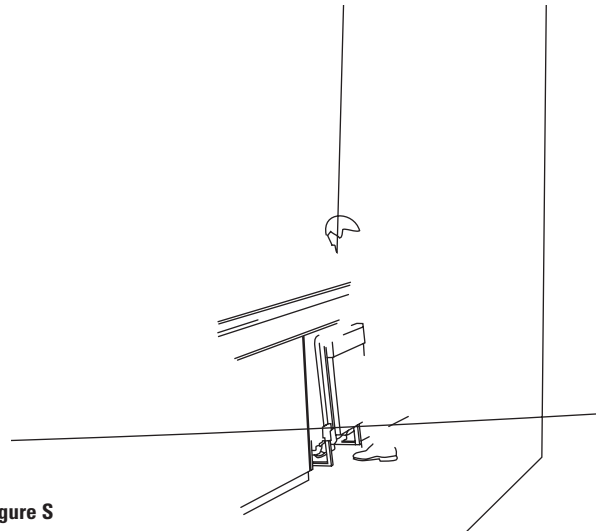


Figure S

### **Positioning for PDW9200-PDW9800 Series**

The controls on these models are designed to be hidden by your countertop. Align the dishwasher as shown.

**NOTE:** If the drain hose gets “bunched-up” behind the unit it can prevent the controls from being hidden by the countertop.

**NOTE:** If this dishwasher is replacing an existing dishwasher, the old countertop bracket screw holes may not be in the correct position to accept a top-control model. New holes may be required.

**TIP:** The leveling legs can be used to increase or decrease the amount of gap between the controls and the countertop affecting the visibility of the controls.

**IMPORTANT** — Leave enough gap between the controls and the countertop brackets so that the screwheads do not contact and scratch the controls.

Figure T



# Installation Instructions

## **STEP 11** LEVEL DISHWASHER

**IMPORTANT** — Dishwasher must be level for proper dish rack operation and wash performance.

- Place level on door and rack track inside the tub as shown to check that the dishwasher is level.

Figure X

- Level the dishwasher by adjusting the four leveling legs individually.
- If adjustment to the right rear leveling leg is required, gain access by loosening junction box bracket screw (through the access hole) and rotate bracket clockwise.

Figure Y

**TIP:** Pull lower rack out, about halfway. Check to be sure the rack does not roll forward or back into dishwasher. If the rack rolls in either direction, the dishwasher must be leveled again.

- If door hits the tub, the dishwasher is not installed correctly. Adjust leveling legs to align door to tub.

The dishwasher must be secured to the countertop or the cabinet sides. When countertops are made of wood, use Method 1. When countertops are granite or other materials that will not accept screws, use Method 2 to secure dishwasher at the sides.

Figure AA

Figure BB

# Installation Instructions

## STEP 13 CONNECT WATER SUPPLY

Connect water supply line to 90° elbow.

- Slide compression nut, then ferrule over end of water line.
- Insert water line into 90° elbow.
- Slide ferrule against elbow and secure with compression nut.

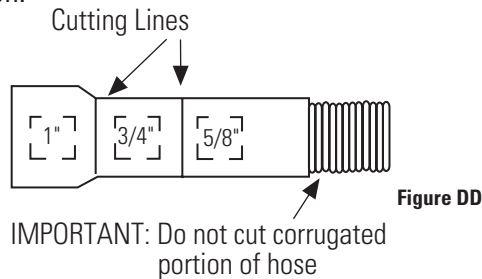
**IMPORTANT** — Check to be sure that door spring does not rub or contact the fill hose or water supply line. Test by opening and closing the door. Re-route the lines if a rubbing noise or interference occurs.

Figure CC

## STEP 14 CONNECT DRAIN LINE

FOLLOW ALL LOCAL CODES AND ORDINANCES.

The drain hose molded end will fit 5/8", 3/4" or 1" diameter connections on the air gap, waste tee or disposer. Cut on the marked line as required for your installation.



- If a longer drain hose is required, add up to 42" of length for a total of 10 ft. to the factory installed hose. Use 5/8" or 7/8" inside diameter hose and a coupler to connect the two hose ends. Secure the connection with hose clamps.

Figure EE

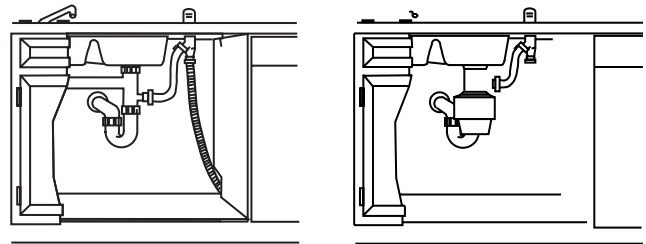
- Secure the drain hose to the air gap, waste tee or disposer with clamps.

**NOTE:** TOTAL DRAIN HOSE LENGTH MUST NOT EXCEED 10 FEET FOR PROPER DRAIN OPERATION.

## DRAIN LINE INSTALLATION

- Connect drain line to air gap, waste tee or disposer using either previously determined method.

### Method 1 – Air gap with waste tee or disposer



Waste Tee Installation

Disposer Installation

### Method 2 – Built-in "High drain loop" with waste tee or disposer

Waste Tee Installation

Disposer Installation

Figure GG

## IMPORTANT –

When connecting drain line to disposer, check to be sure that drain plug has been removed. **DISH-WASHER WILL NOT DRAIN IF PLUG IS LEFT IN PLACE.**

**TIP:** Avoid unnecessary service call charges. Always be sure disposer drain plug has been removed before attaching dishwasher drain hose to the disposer.

# Installation Instructions

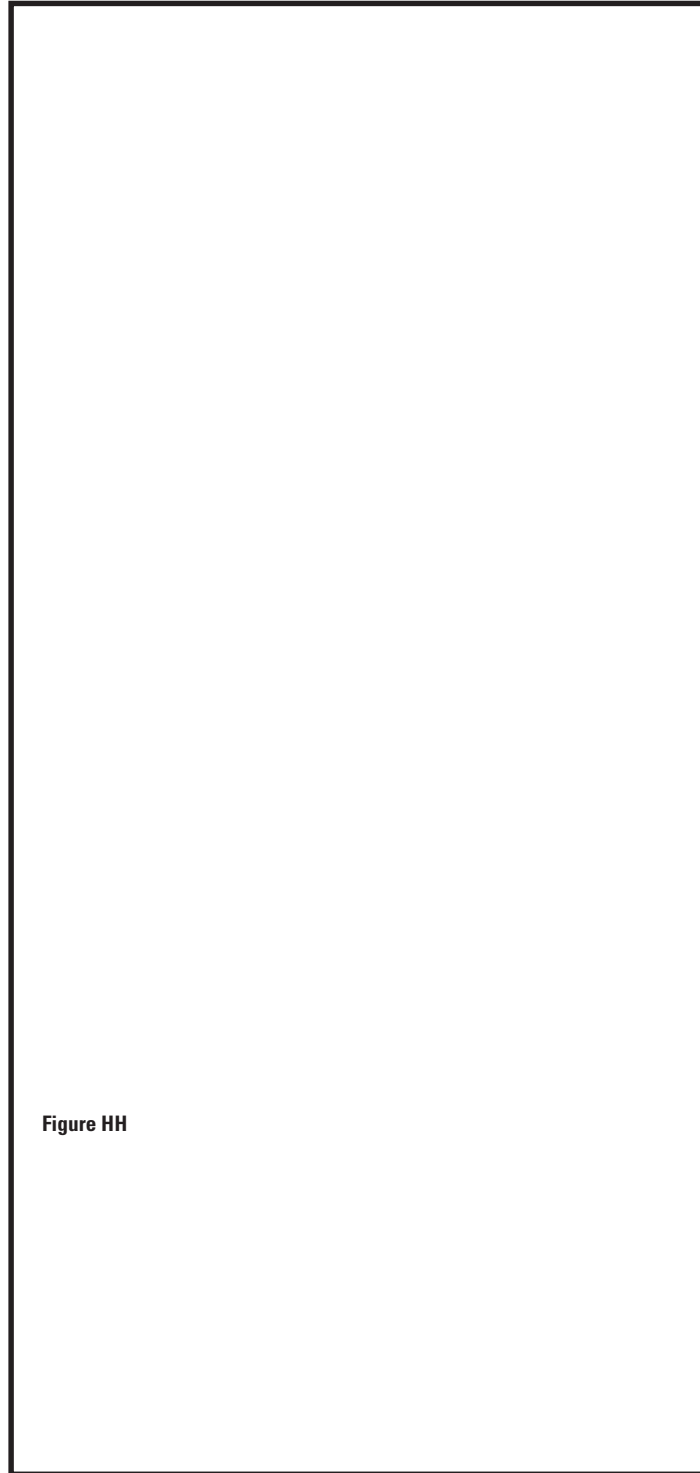


Figure HH

## STEP 16 PRE-TEST CHECK LIST

**Review this list after installing your dishwasher to avoid charges for a service call that is not covered by your warranty.**

Check to be sure power is OFF.

Open door and remove all foam and paper packaging.

Locate the Owner's Manual in the literature package.

Read the Owner's Manual for operating instructions.

Check door opening and closing. If door does not open and close freely or tends to fall, check spring cable routing and spring adjustments. See Step 1.

Check to be sure that wiring is secure under the dishwasher, not pinched or in contact with door springs or other components. See Steps 8 and 10.

Check door alignment with tub. If door hits tub, level dishwasher. See Step 11.

Pull lower rack out, about half way. Check to be sure it does not roll back or forward on the door. If the rack moves, adjust leveling legs. See Step 11.

Check door alignment with cabinet. If door hits cabinet, reposition or relevel dishwasher. See Steps 10, 11 and 12.

Check that door spring does not contact water line, fill hose, wiring or other components. See Step 13.

Verify water supply and drain lines are not kinked or in contact with other components. Contact with motor or dishwasher frame could cause noise. See Steps 6 and 8.

Turn on the sink hot water faucet and verify waterrep 11.0/11.0

# Installation Instructions

## STEP 17 DISHWASHER WET TEST

Turn on power supply (or plug power cord into outlet, if equipped).

Start the unit to check for leaks.

### PDW8100-PDW8800 Series:

- Latch door
- Push RINSE ONLY pad
- Push START/RESET pad

### PDW9200-PDW9800 Series:

- Push RINSE ONLY pad
- Push START/RESET pad
- Close door

Push “Rinse Only” button.

Push start/reset pad once.

Check to be sure that water enters the dishwasher. If water does not enter the dishwasher, check to be sure that water and power are turned on.

Check for leaks under the dishwasher. If a leak is found, turn power supply off, then tighten connections. Restore power after leak is corrected.

Check for leaks around the door. A leak around the door could be caused by door rubbing or hitting against adjacent cabinetry. Reposition the dishwasher if necessary. See Step 12.

The dishwasher will drain and turn off about 5 minutes after i.7(c1minu5h.H3 Twafter ithe)]TJ0.19rEnot(19;T,e9rEn-0.0000003 Tw[c6e5-15.02 reSBT/F3 1 T114 0 0 14 51.48 695.04

## STEP 18 REPLACE TOEKICK

- Place toekick against the legs of the dishwasher.

### Figure JJ

- Align the toekick with the bottom edge and make sure it is against the floor.
- Insert and tighten the two toekick attachment screws. The toekick should stay in contact with the floor.

**TIP:** Make sure toekick is against floor to minimize noise.

## STEP 19 LITERATURE

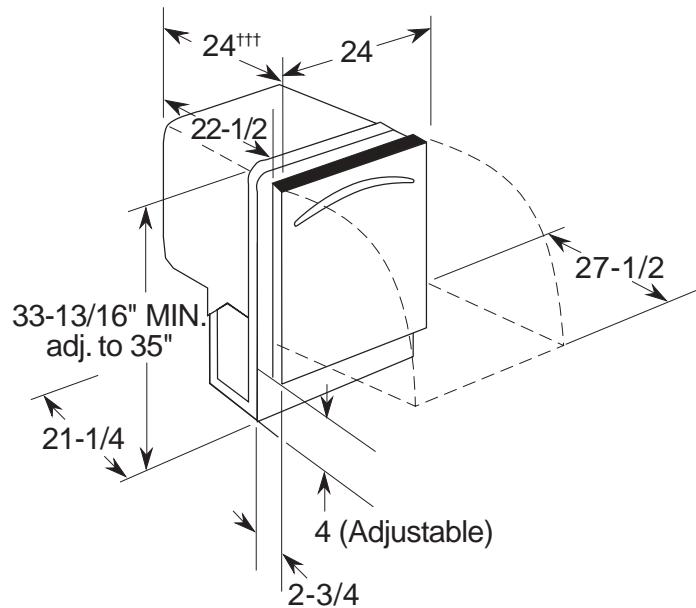
- Be sure to leave complete literature package and installation instructions with the consumer.



Profile™

## PDW9700JII – GE Profile™ Fully Integrated Built-In Dishwasher

### Built-In Dishwasher Dimensions (in inches)



†††Add 3/4" for custom panel and additional room for custom handle

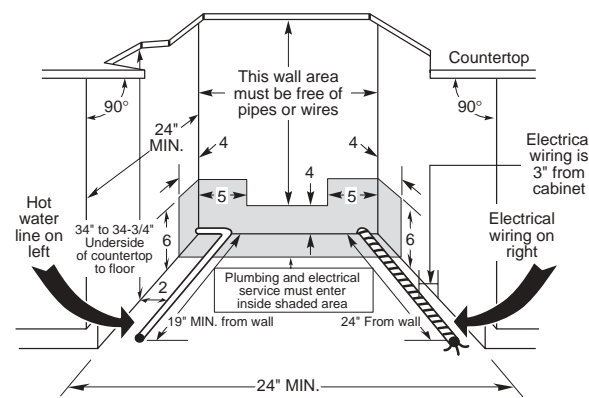
### Electrical Rating

Voltage AC.....	120
Hertz.....	60
Total connected load amperage.....	9.1
Calrod® heater watts max. ....	875

For use on adequately wired 120-volt, 15-amp circuit having 2-wire service with a separate ground wire. This appliance must be grounded for safe operation.

Specification Created 7/03  
250202

### Installation Information (in inches)



### Dishwasher Rough-In Information

**Note:** Dishwasher must not be installed more than ten feet from sink for proper drainage. All plumbing and electrical work must be in accordance with local codes.

**Note:** If a flush look is needed, a 25" base cabinet needs to be used (except Profile and Triton XL models).

The power cord and connections must comply with the National Electrical Code Section 422 and/or local codes and ordinances. The cord must be no longer than six feet from the junction box to the receptacle.



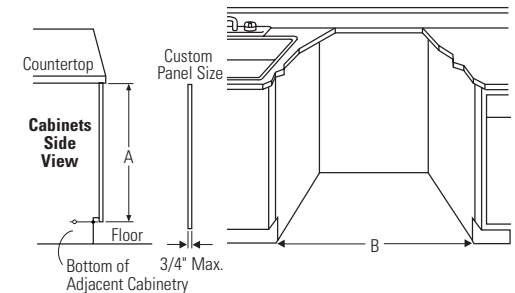
Listed by Underwriters Laboratories



As an ENERGY STAR® partner, GE has determined that this product meets the ENERGY STAR® guidelines for energy efficiency.

### Custom Panel for Model PDW9700JII

Dishwasher comes panel-ready.



The most common panel dimensions are 30-1/4"H and 23-3/4"W.

### STEP A: Determine custom panel height

1. Measure Dimension A from underside of countertop to bottom of adjacent cabinets.
2. Subtract 1/4". This allows a 1/4" clearance gap between the underside of the countertop and the top of the dishwasher door.

Height is equal to A minus 1/4"

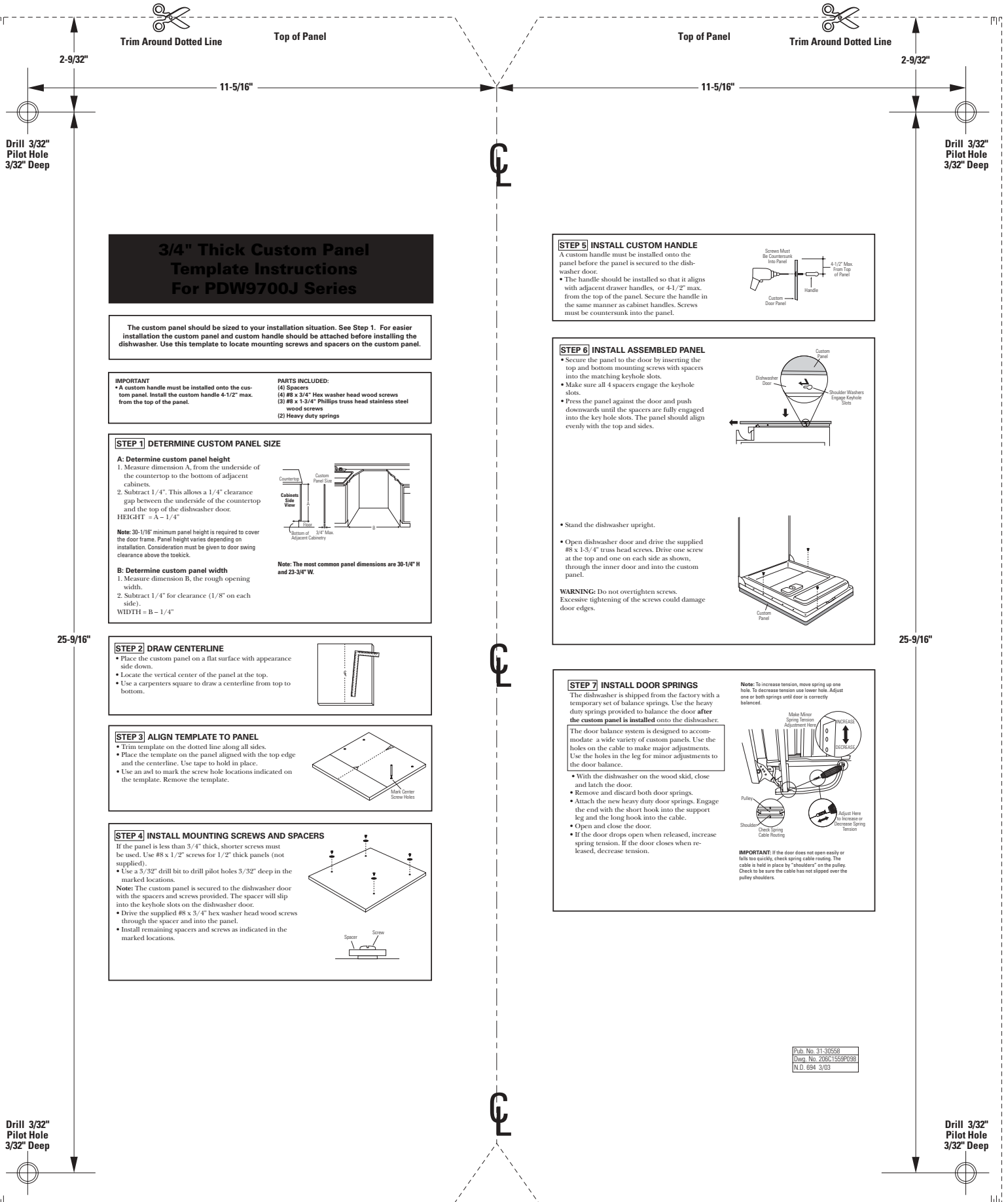
### STEP B: Determine custom panel width

1. Measure dimension B, the rough opening width.
2. Subtract 1/4" for clearance (1/8" on each side).

Width is equal to B minus 1/4"

**Note:** 23-1/8" min. panel width and 26-1/4" min. panel height is required to cover the door frame. Panel height varies depending on installation. Consideration must be given to door swing clearance above the toe-kick.

For answers to your Monogram®, GE Profile™ or GE® appliance questions, visit our website at [GEAppliances.com](http://GEAppliances.com) or call GE Answer Center® service, 800.626.2000.



## 3/4" Thick Custom Panel Template Instructions For PDW9700J Series

The custom panel should be sized to your installation situation. See Step 1. For easier installation the custom panel and custom handle should be attached before installing the dishwasher. Use this template to locate mounting screws and spacers on the custom panel.

- |                                                                                                                                                                                                     |                                                                                                                                                                                                                                                         |
|-----------------------------------------------------------------------------------------------------------------------------------------------------------------------------------------------------|---------------------------------------------------------------------------------------------------------------------------------------------------------------------------------------------------------------------------------------------------------|
| <p><b>IMPORTANT</b></p> <ul style="list-style-type: none"> <li>A custom handle must be installed onto the custom panel. Install the custom handle 4-1/2" max. from the top of the panel.</li> </ul> | <p><b>PARTS INCLUDED:</b></p> <ul style="list-style-type: none"> <li>(4) Spacers</li> <li>(4) #8 x 3/4" Hex washer head wood screws</li> <li>(3) #8 x 1-3/4" Phillips truss head stainless steel wood screws</li> <li>(2) Heavy duty springs</li> </ul> |
|-----------------------------------------------------------------------------------------------------------------------------------------------------------------------------------------------------|---------------------------------------------------------------------------------------------------------------------------------------------------------------------------------------------------------------------------------------------------------|

**STEP 1 DETERMINE CUSTOM PANEL SIZE**

**A: Determine custom panel height**

- Measure dimension A, from the underside of the countertop to the bottom of adjacent cabinets.
- Subtract 1/4". This allows a 1/4" clearance gap between the underside of the countertop and the top of the dishwasher door.

**HEIGHT = A - 1/4"**

**Note:** 30-1/16" minimum panel height is required to cover the door frame. Panel height varies depending on installation. Consideration must be given to door swing clearance above the toe-kick.

**B: Determine custom panel width**

- Measure dimension B, the rough opening width.
- Subtract 1/4" for clearance (1/8" on each side).

**WIDTH = B - 1/4"**

**Note:** The most common panel dimensions are 30-1/4" H and 23-3/4" W.

**STEP 2 DRAW CENTERLINE**

- Place the custom panel on a flat surface with appearance side down.
- Locate the vertical center of the panel at the top.
- Use a carpenter's square to draw a centerline from top to bottom.

**STEP 3 ALIGN TEMPLATE TO PANEL**

- Trim template on the dotted line along all sides.
- Place the template on the panel aligned with the top edge and the centerline. Use tape to hold in place.
- Use an awl to mark the screw hole locations indicated on the template. Remove the template.

**STEP 4 INSTALL MOUNTING SCREWS AND SPACERS**

If the panel is less than 3/4" thick, shorter screws must be used. Use #8 x 1/2" screws for 1/2" thick panels (not supplied).

- Use a 3/32" drill bit to drill pilot holes 3/32" deep in the marked locations.

**Note:** The custom panel is secured to the dishwasher door with the spacers and screws provided. The spacer will slip into the keyhole slots on the dishwasher door.

- Drive the supplied #8 x 3/4" hex washer head wood screws through the spacer and into the panel.
- Install remaining spacers and screws as indicated in the marked locations.

**STEP 5 INSTALL CUSTOM HANDLE**

A custom handle must be installed onto the panel before the panel is secured to the dishwasher door.

- The handle should be installed so that it aligns with adjacent drawer handles, or 4-1/2" max. from the top of the panel. Secure the handle in the same manner as cabinet handles. Screws must be countersunk into the panel.

**STEP 6 INSTALL ASSEMBLED PANEL**

- Secure the panel to the door by inserting the top and bottom mounting screws with spacers into the matching keyhole slots.
- Make sure all 4 spacers engage the keyhole slots.
- Press the panel against the door and push downwards until the spacers are fully engaged into the key hole slots. The panel should align evenly with the top and sides.

Stand the dishwasher upright.

- Open dishwasher door and drive the supplied #8 x 1-3/4" truss head screws. Drive one screw at the top and one on each side as shown, through the inner door and into the custom panel.

**WARNING:** Do not overtighten screws. Excessive tightening of the screws could damage door edges.

**STEP 7 INSTALL DOOR SPRINGS**

The dishwasher is shipped from the factory with a temporary set of balance springs. Use the heavy duty springs provided to balance the door after the custom panel is installed onto the dishwasher.

The door balance system is designed to accommodate a wide variety of custom panels. Use the holes on the cable to make major adjustments. Use the holes in the leg for minor adjustments to the door balance.

- With the dishwasher on the wood skid, close and latch the door.
- Remove and discard both door springs.
- Attach the new heavy duty door springs. Engage the end with the short hook into the support leg and the long hook into the cable.
- Open and close the door.
- If the door drops open when released, increase spring tension. If the door closes when released, decrease tension.

**Note:** To increase tension, move spring up one hole. To decrease tension use lower hole. Adjust one or both springs until door is correctly balanced.

**IMPORTANT:** If the door does not open easily or falls too quickly, check spring cable routing. The cable is held in place by "shoulders" on the pulley. Check to be sure the cable has not slipped over the pulley shoulders.

Pub. No. 31-30568  
Dwg. No. Z06C1569P038  
N.D. 694 3/03

Trim Around Dotted Line

Trim Around Dotted Line



*Profile™*

**PDW9700JII – GE Profile™ Fully Integrated Built-In Dishwasher**

