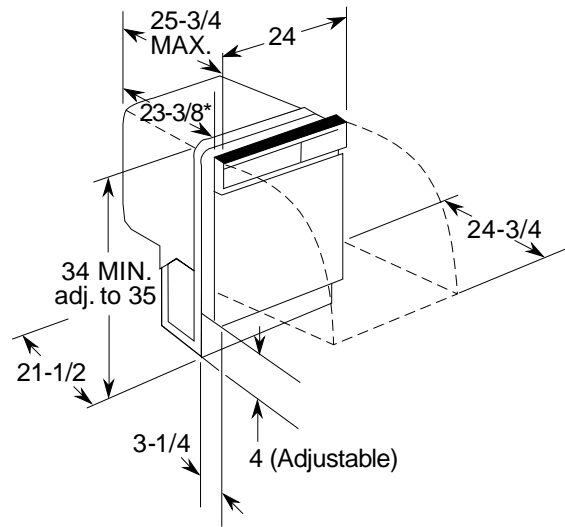




GE Appliances

GSD5700G – GE Built-In Dishwasher

Built-In Dishwasher Dimensions (in inches)



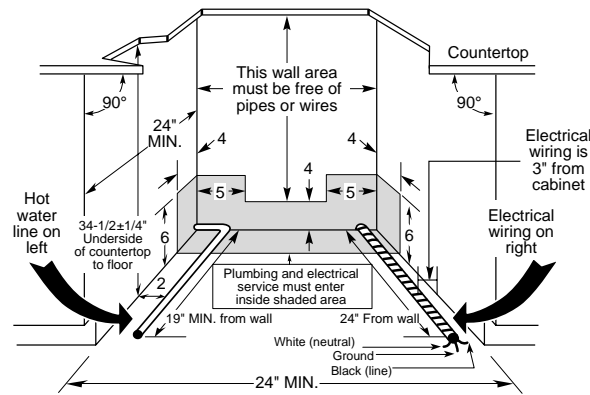
Electrical Rating

Voltage AC	120
Hertz	60
Total connected load amperage	8.2
Calrod® heater watts max.	725

For use on adequately wired 120-volt, 15-amp circuit having 2-wire service with a separate ground wire. This appliance must be grounded for safe operation.

Specification Created 6/02

Installation Information (in inches)



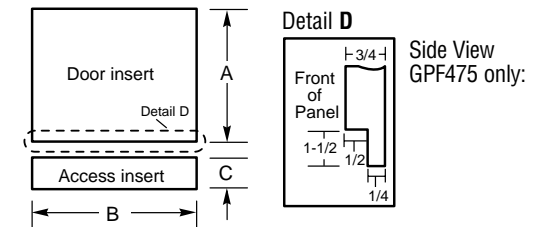
Dishwasher Rough-In Information

Note: Dishwasher must not be installed more than 10 feet from sink for proper drainage. All plumbing and electrical work must be in accordance with local codes.

Note: If a flush look is needed, a 25" base cabinet needs to be used.

The power cord and connections must comply with the National Electrical Code Section 422 and/or local codes and ordinances. The cord must be no longer than 6 ft. from the junction box to the receptacle.

Wood Insert Cut-Out Dimensions (flat door models only)



Kit	A	B	C	D – Panel Thickness
GPF425	19-3/4"	23-9/16"	3-11/16"	1/4"
GPF475	19-7/8"	23-5/8"	3-11/16" to 4-1/4"	3/4"

*Bottom of panel must be notched 1-1/2" x 1/2" to clear access panel. (See illustration above)
 **Adjustment required to match adjacent cabinet fronts due to leveling adjustment, 4" nominal.



Listed by Underwriters Laboratories



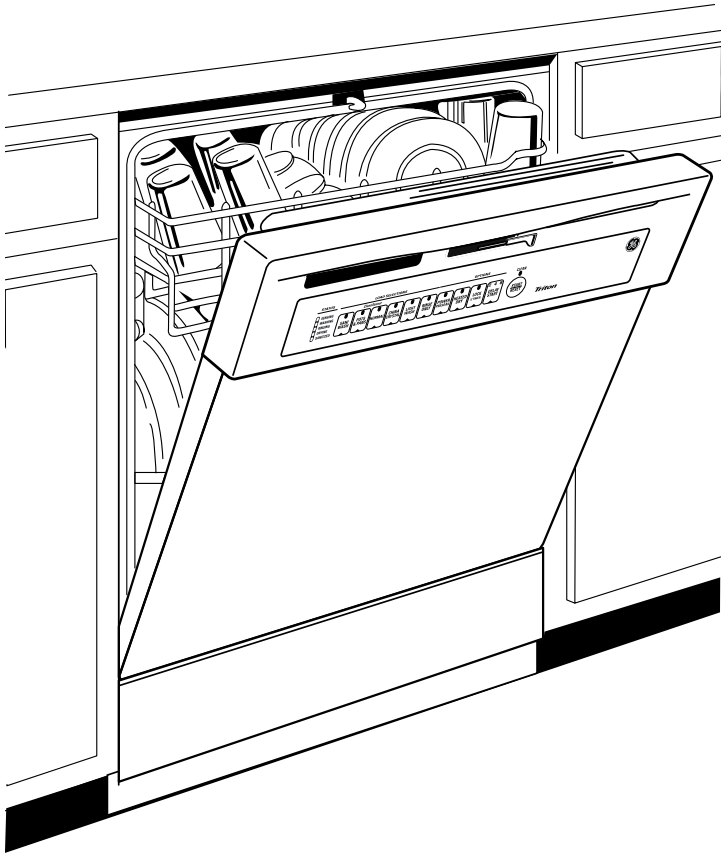
As an ENERGY STAR® partner, GE has determined that this product meets the ENERGY STAR® guidelines for energy efficiency.

For answers to your Monogram®, GE Profile™ or GE appliance questions, visit our website at GEAppliances.com or call GE Answer Center® service, 800.626.2000.



GE Appliances

GSD5700G – GE Built-In Dishwasher



Features and Benefits

- ENERGY STAR® Qualified
- TriClean™ Wash System with CleanSensor, 6 Wash Levels, 100% Water Filtration, Dual Pumps and Motors, and Piranha™ Hard Food Disposer
- Electronic Controls with 11 Touchpads and Cycle Progress Indicators
- Super Upper and Lower Racks
- Variable Cycle Selections and Enhancements: Pots & Pans, Normal Wash, Light Wash, China/Crystal, SaniWash, Rinse Only, Power Presoak and 2/4/8 Hour Delay Start
- QuietPower™ II Plus Sound Insulation Package
- Warranty – 1 Yr. Full, Limited 2 Yr. Entire Appliance, Limited 5 Yr. Racks/Electronic Controls, Lifetime Tub
- Model GSD5700GBB – Black on black
- Model GSD5700GCC – Bisque on bisque
- Model GSD5700GWW – White on white