

GSD3300/3360N GE® Built-In Dishwasher

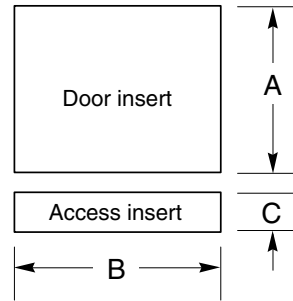
Dimensions and Installation Information (in inches)

Electrical Rating

Voltage AC.....	120
Hertz.....	60
Total connected load amperage.....	6.2
Calrod® heater watts max.....	500

For use on adequately wired 120-volt, 15-amp circuit having 2-wire service with a separate ground wire. This appliance must be grounded for safe operation.

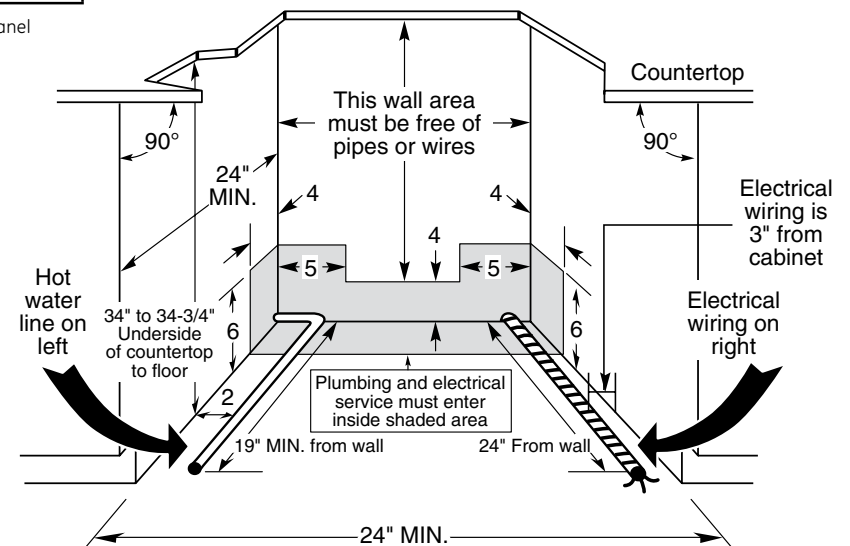
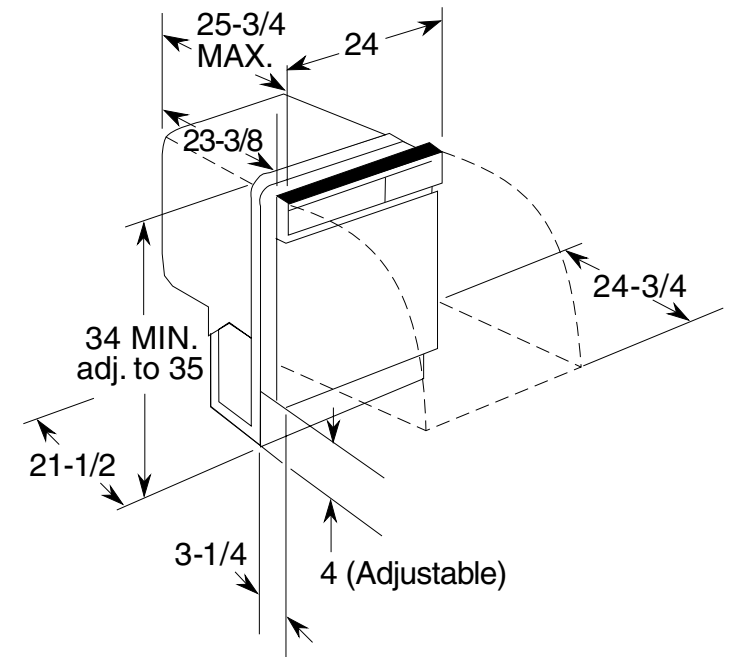
Note: Dishwasher must not be installed more than 10 feet from sink for proper drainage. All plumbing and electrical work must be in accordance with local codes.



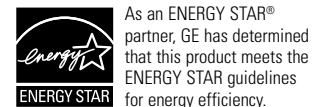
Kit	A	B	C	Panel Thickness
GPF325	18-7/8"	23-9/16"	3-11/16"	1/4"
GPF375	18-15/16"	23-5/8"	4-1/4" to 3-3/4"***	3/4"

* Bottom of panel must be notched 1-1/2" x 1/2" to clear across panel

** Adjustment required to match adjacent cabinet fronts due to leveling leg adjustment, 4" nominal



For answers to your Monogram®, GE Profile™ or GE® appliance questions, visit our website at ge.com or call GE Answer Center® service, 800.626.2000.

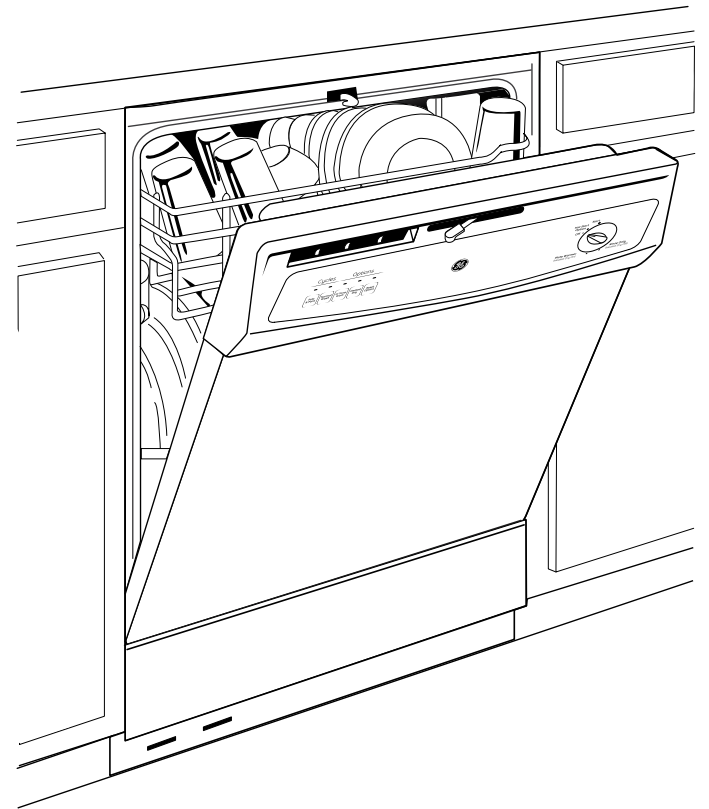


GSD3300/3360N

GE® Built-In Dishwasher

Features and Benefits

- 5-level PowerScrub™ wash system with PowerShower - 5 wash levels and redesigned wash arms direct water precisely for a quiet and efficient clean.
- HotStart™ Option - Preheats water before the main wash cycle for dependable performance every time
- TouchTap™ controls - Provide a more modern look and are easy-to-clean and easy-to-use.
- 100% water filtration with ExtraFine™ filter - Clean water helps deliver clean dishes.
- Piranha™ Hard Food Disposer - Grinds leftover food into small particles that are easily washed away
- QuietPower™ motor - Runs quietly and efficiently to keep the kitchen peaceful and quiet
- Model GSD3300NWW - White on white
- Model GSD3300NCC - Bisque on bisque
- Model GSD3300NBB - Black on black
- Model GSD3360NSS - Stainless steel



imagination at work