

GSD3100/60N

GE® Built-In Dishwasher

Dimensions and Installation Information (in inches)

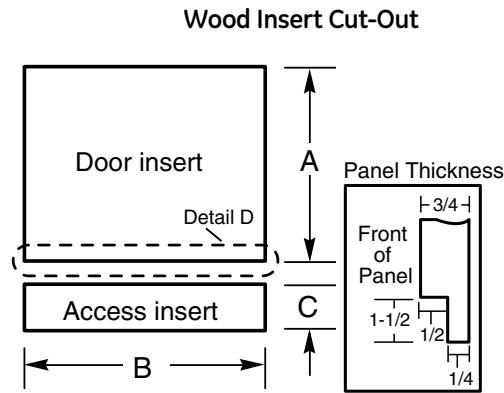
Note: Dishwasher must not be installed more than 10 feet from sink for proper drainage. All plumbing and electrical work must be in accordance with local codes.

Electrical Rating

Voltage AC 120
 Hertz 60
 Total connected load amperage .. 6.2
 Calrod® heater watts max. 500

For use on adequately wired 120-volt, 15-amp circuit having 2-wire service with a separate ground wire. This appliance must be grounded for safe operation.

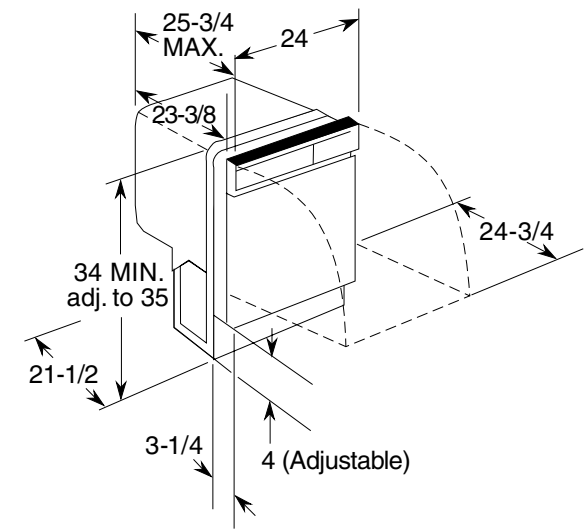
Installation Information: Before installing, consult installation instructions packed with product for current dimensional data.



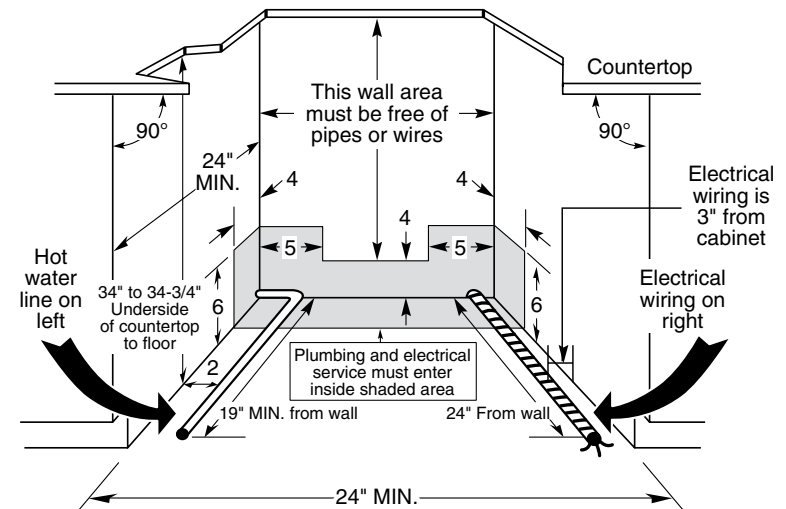
Kits	A	B	C	Panel Thickness
GPF325	18-7/8"	23-9/16"	3-11/16"	1/4"
GPF375	18-15/16"	23-5/8"	3-3/4" to 4-1/4"	3/4"

*Bottom of panel must be notched 1-1/2" x 1/2" to clear across panel
 **Adjustment required to match adjacent cabinet fronts due to leveling leg adjustment, 4" nominal.

Built-In Dishwasher Dimensions



Installation Information



For answers to your Monogram®, GE Profile™ or GE® appliance questions, visit our website at ge.com or call GE Answer Center® service, 800.626.2000.

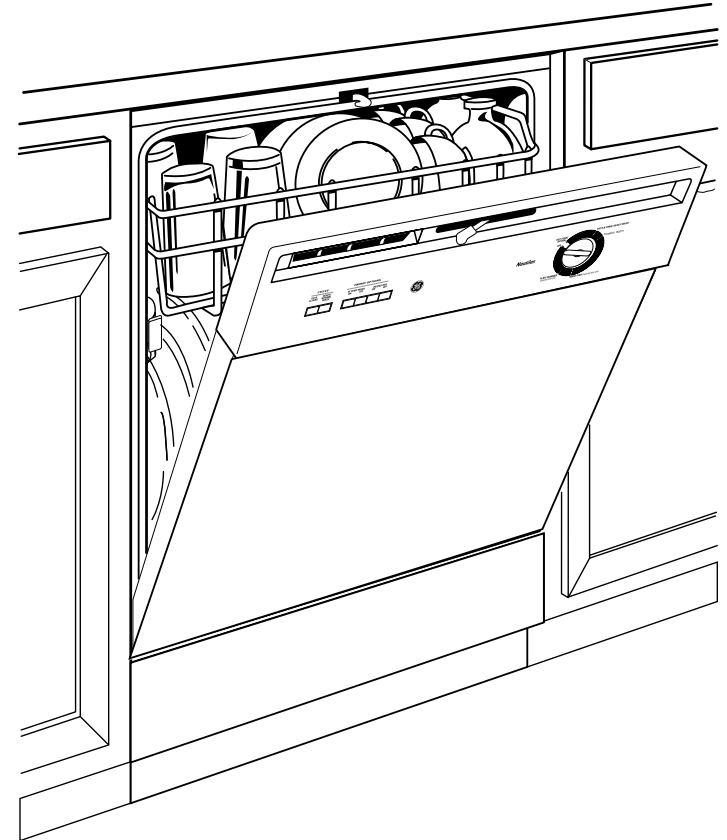


GSD3100/60N

GE® Built-In Dishwasher

Features and Benefits

- Trimless Door Design – Features sleek, classic panels for an instant built-in look
- HotStart™ Option – Preheats water before the main wash cycle for dependable performance every time
- Piranha™ Hard Food Disposer – Grinds leftover food into small particles that are easily washed away
- Deluxe Upper Rack – Deep-tiered to allow easy loading of tall items
- QuietPower™ Sound Package – Softens the sound of the dishwasher for a more peaceful kitchen
- Hi-Temp Wash Option – Allows detergent to work better so dishes come out clean
- Model GSD3100NWW – White on white
- Model GSD3100NCC – Bisque on bisque
- Model GSD3100NBB – Black on black
- Model GSD3160NSS – Stainless steel



For answers to your Monogram,® GE Profile™ or GE® appliance questions, visit our website at ge.com or call GE Answer Center® service, 800.626.2000.



Listed by
Underwriters
Laboratories