

GSC3500R

GE® Convertible Dishwasher

Dimensions and Installation Information (in inches)

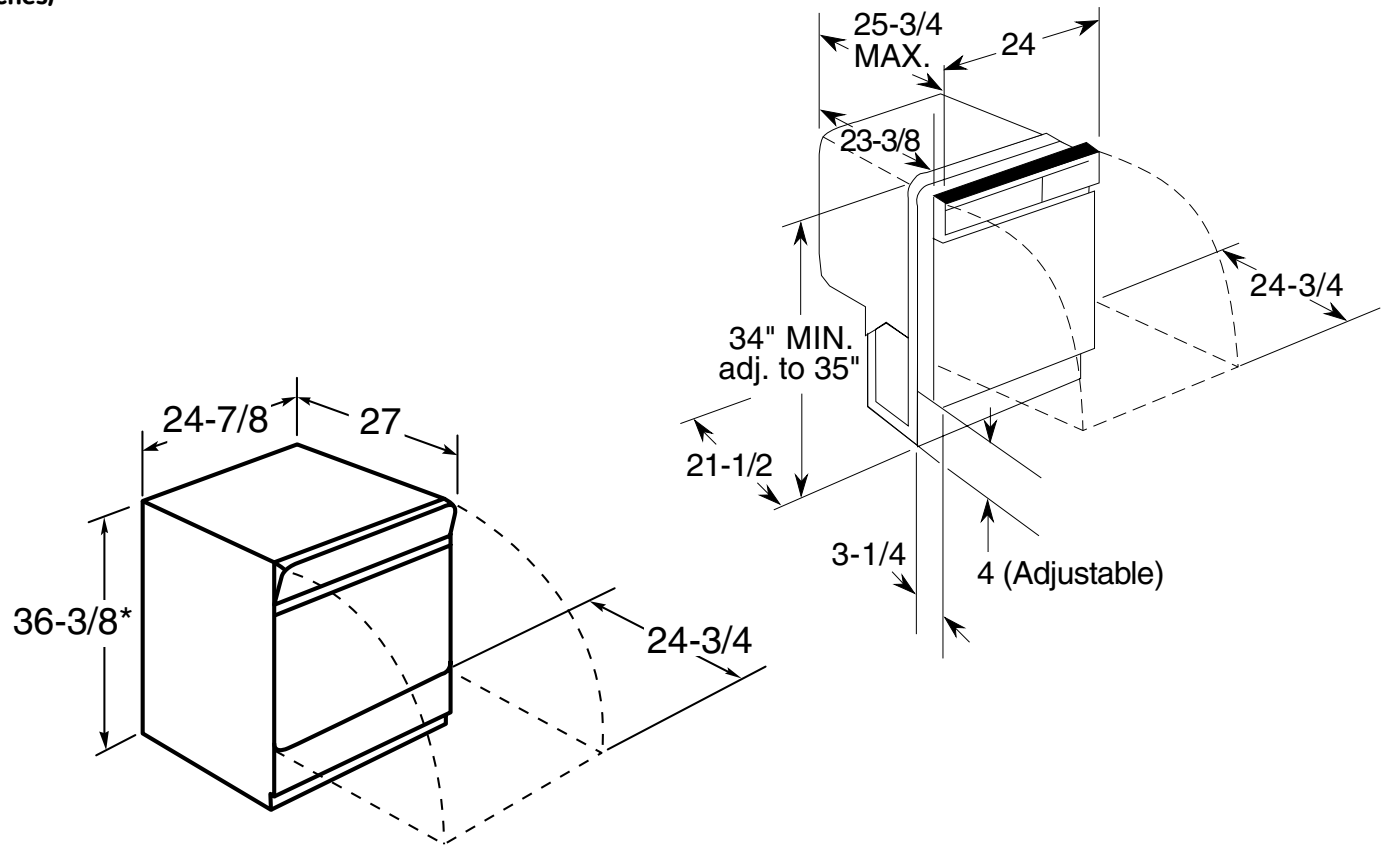
Electrical Rating

Voltage AC.....	120
Hertz.....	60
Total connected load amperage.....	6.2
Calrod® heater watts max.....	500

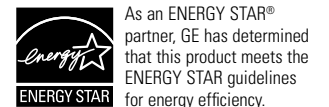
For use on adequately wired 120-volt, 15-amp circuit having 2-wire service with a separate ground wire. This appliance must be grounded for safe operation.

Important Note: GE Kit number WD35M34 needed when adapting GE Convertible Dishwasher to a built-in installation. Contains built-in dishwasher water valve, hardware and complete instructions for changing a GE Convertible Dishwasher to an under-the-counter installation.

Installation Information Before installing, consult installation instructions packed with product for current dimensional data.



For answers to your Monogram®, GE Profile™ or GE® appliance questions, visit our website at ge.com or call GE Answer Center® service, 800.626.2000.

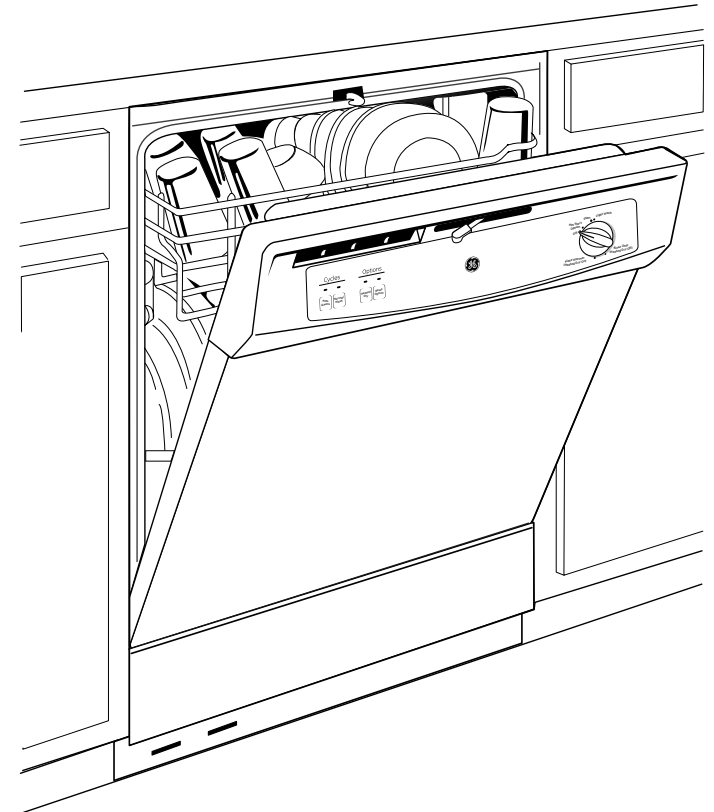


GSC3500R

GE® Convertible Dishwasher

Features and Benefits

- TouchTap™ Controls - Provide a more modern look and are easy-to-clean and easy-to-use.
- Candlelight Woodgrain Laminate Top - Creates a durable, attractive top surface that doubles as an extra work area
- 4-Level PowerScrub™ Wash System - Four wash levels quietly and efficiently scrub dishes clean
- 100% Water Filtration with ExtraFine™ Filter - Clean water helps deliver clean dishes
- Pots and Pans Cycle - Scours off baked-on food with a wall of water
- Piranha™ Hard Food Disposer - Grinds leftover food into small particles that are easily washed away
- Deluxe Silverware Basket - Provides convenient space and capacity to clean silverware efficiently and effectively
- Model GSC3500RWW - White on white
- Model GSC3500RBB - Black on black



imagination at work



As an ENERGY STAR® partner, GE has determined that this product meets the ENERGY STAR guidelines for energy efficiency.