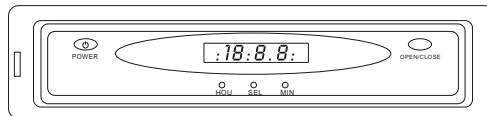
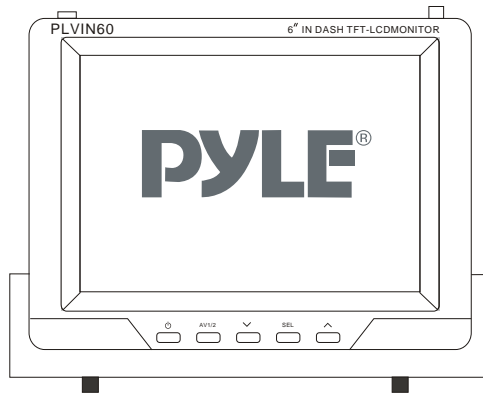


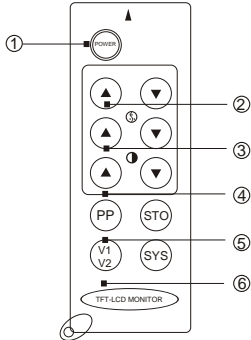
INSTRUCTION MANUAL IN DASH COLOR TFT-LCD MONITOR

PLVIN60



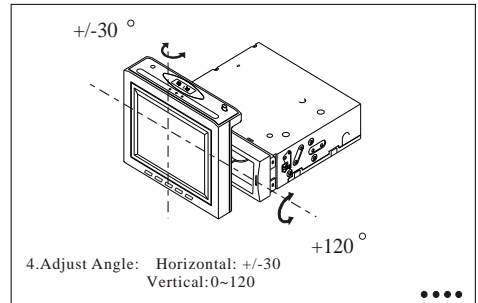
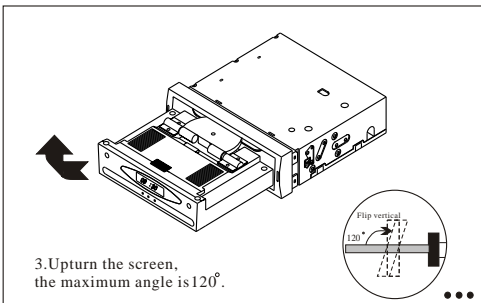
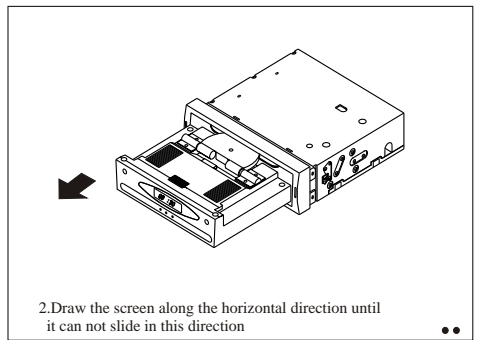
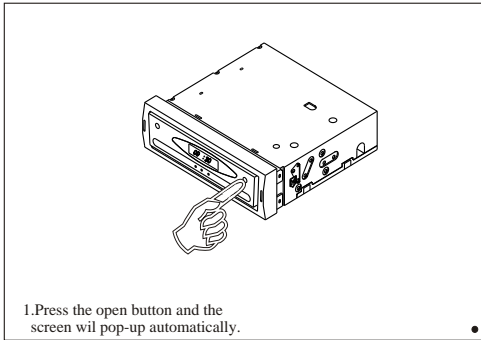
Thanks for purchasing In-dash type TFT-LCD Monitor. Please read this menu carefully before the installation.

Remote Control Operation

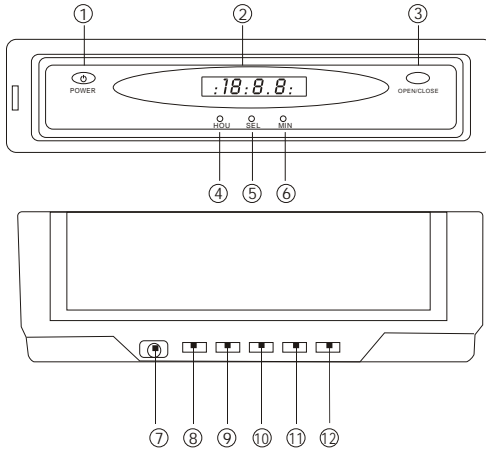


- ① Power On/Off
- ② Brightness adjustment
- ③ Color adjustment
- ④ Contrast adjustment
- ⑤ Store your favourite values
- ⑥ Switch between V1/V2 inputs

Operation



Instruction for Panel Functions



1. Screen power switch

Press power to switch on the products, the clock appears and the background lights on and press power again to turn off.

2. LED Digital Clock

This screen is a digital quartz clock showing time in 24-hour style. AM represents morning and PM represents afternoon.

3. OPEN/CLOSE key

Press open key, the screen will be pushed out.

If the products is Semi-automatic, the press POWER on the remote control, the monitor will be pushed out/ close automatically.

4. Clock Adjustment

Press the key to adjust HOUR. It will rise one hour by each press.

5. Reset

When the product suddenly doesn't work properly, press this key to make the CPU restoration.

6. Minutes Adjustment

Press the key to adjust Minute. It will rise one minute by each press.

7. Infrared Remote eye

8. Power ON/OFF

Press the key to make the shift between Av1 and Av2 of monitor.

10. Down

11. Select key

You can display the menu by pushing SEL in order of brightness, color, contrast.

12. UP

Specifications

- 1.Power requirements..... DC12-14.4V
- 2.Power output..... 10W
- 3.Video color system..... NTSC
- 4.TFT display angle..... Horizontal:+ 45° ; Vertical:+55°
Mechanic rotate angle..... Horizontal:+30° ; Vertical:0~120°
- 5.Effective display size..... 6 inch
- 6.Back light board use longevity..... 25, Min=10,000h
- 7.Digital Clock Display mode..... 24-hour LED display
- 8.Clock oscillation mode..... Quartz crystal
- 9.Environment temperature..... -10℃ - 55℃
- 10.Relative humidty..... <90%(+55℃)