

PDWT200/280P

GE Profile™ Fully Integrated Built-In Dishwasher with Stainless Interior

Dimensions and Installation Information (in inches)

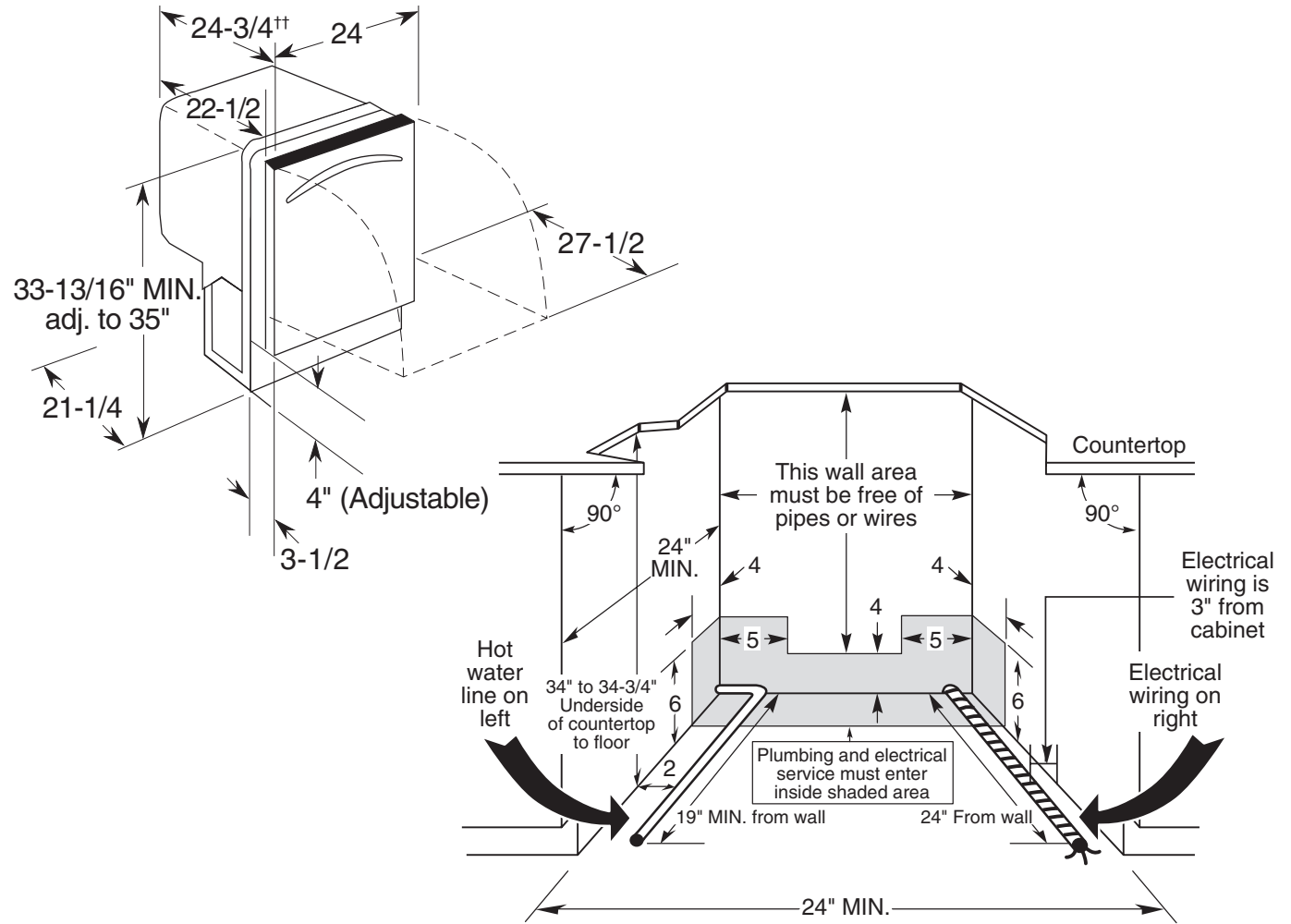
Electrical Rating

Voltage AC.....	120
Hertz.....	60
Total connected load amperage.....	9.1
Calrod® heater watts max.....	875

For use on adequately wired 120-volt, 15-amp circuit having 2-wire service with a separate ground wire. This appliance must be grounded for safe operation.

Installation Information: Before installing, consult installation instructions packed with product for current dimensional data.

†† Add 1/2" for deepest part of contour door. Allow an additional 2" for the handle on PDWT500/PDWT400/PDWT200 Series models.



For answers to your Monogram® GE Profile™ or GE® appliance questions, visit our website at ge.com or call GE Answer Center® service, 800.626.2000.



imagination at work



Listed by Underwriters Laboratories



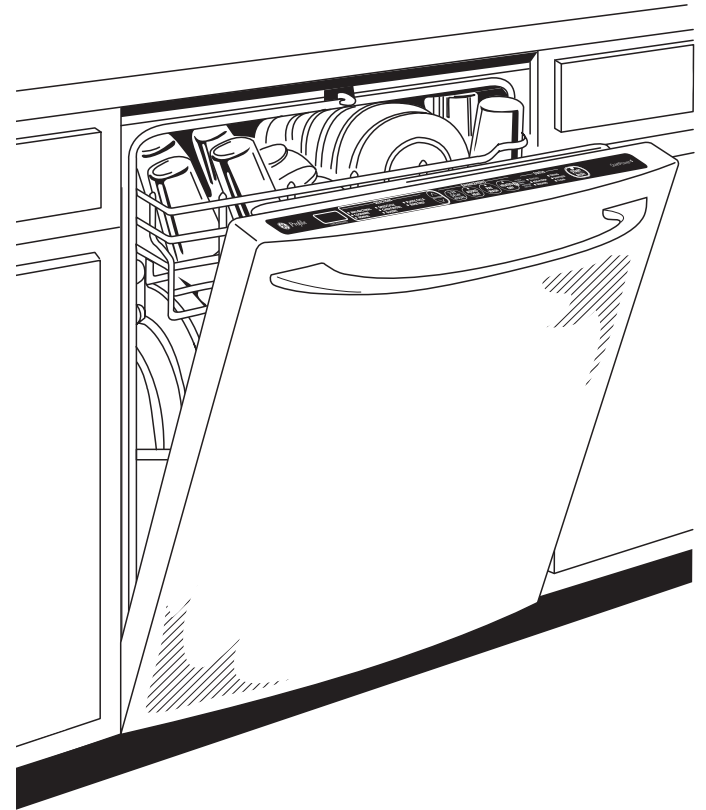
As an ENERGY STAR® partner, GE has determined that this product meets the ENERGY STAR guidelines for energy efficiency.

PDWT200/280P

GE Profile™ Fully Integrated Built-In Dishwasher with Stainless Interior

Features and Benefits

- Giant Tub with up to 16 Place Setting Capacity Nylon Racking - Holds tall and oversized items and washes up to 16 place settings at once
- 6-level BrilliantClean™ Towerless Wash System - Multiple wash levels help to remove tough food soils from dishes
- CleanSensor™ - A laser measures soil and water temperature to adjust to the ideal cycle time and optimize water usage
- 2/4/8-Hour Delay Start - Allows the dishwasher to be set to wash dishes at a later time
- 2 Sets of Fold-Down Tines in Lower Rack - Flexible tines make it easier to load the dishwasher
- Hand/Gentle Cycle - Gently cleans delicate items that would normally require handwashing
- Glasses Selection - Gently washes glassware and great for entertaining
- Model PDWT280PSS - Stainless steel (shown)
- Model PDWT200PWW - White on white
- Model PDWT200PBB - Black on black



imagination at work