

# GSD2100/2101R

## GE® Built-In Dishwasher

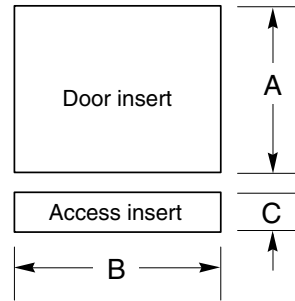
### Dimensions and Installation Information (in inches)

#### Electrical Rating

Voltage AC.....	120
Hertz.....	60
Total connected load amperage.....	6.2
Calrod® heater watts max.....	500

For use on adequately wired 120-volt, 15-amp circuit having 2-wire service with a separate ground wire. This appliance must be grounded for safe operation.

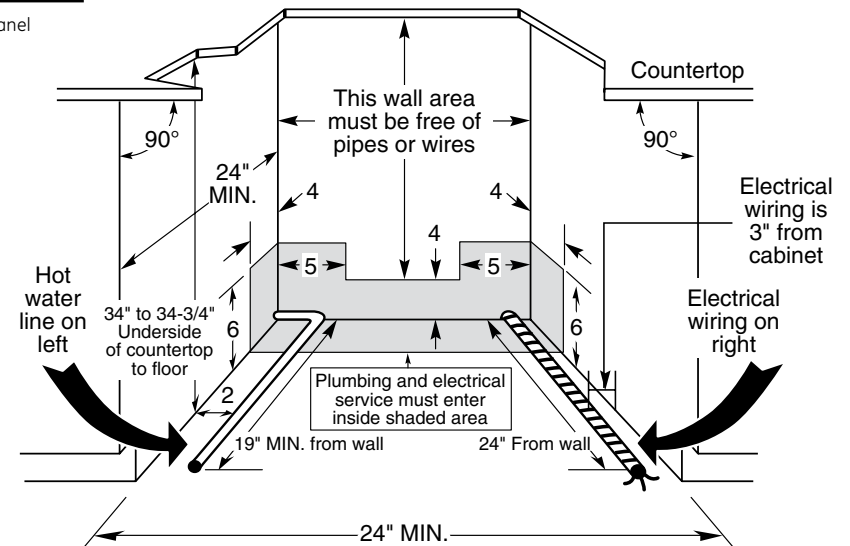
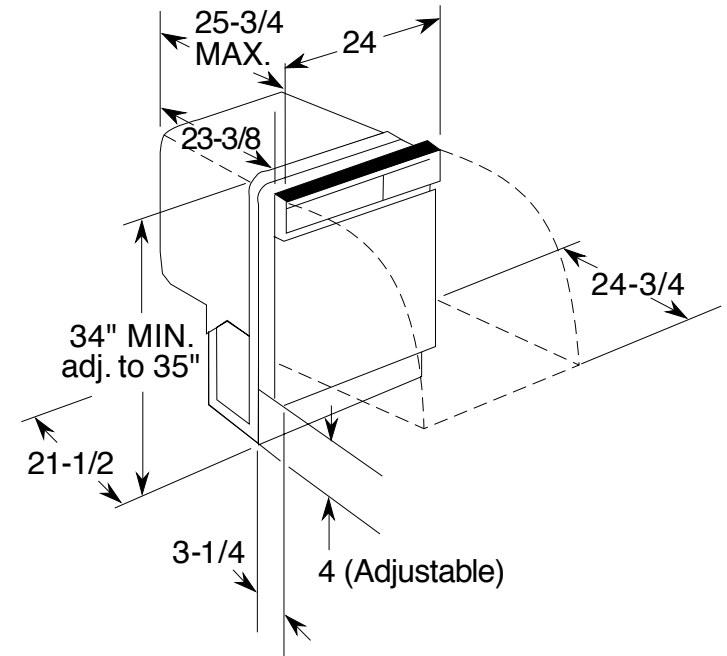
**Note:** Dishwasher must not be installed more than 10 feet from sink for proper drainage. All plumbing and electrical work must be in accordance with local codes.



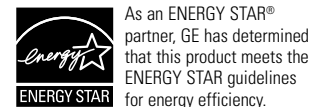
Kit	A	B	C	Panel Thickness
GPF325	18-7/8"	23-9/16"	3-11/16"	1/4"
GPF375	18-15/16"	23-5/8"	4-1/4" to 3-3/4"***	3/4"

\* Bottom of panel must be notched 1-1/2" x 1/2" to clear across panel

\*\* Adjustment required to match adjacent cabinet fronts due to leveling leg adjustment, 4" nominal



For answers to your Monogram®, GE Profile™ or GE® appliance questions, visit our website at [ge.com](http://ge.com) or call GE Answer Center® service, 800.626.2000.

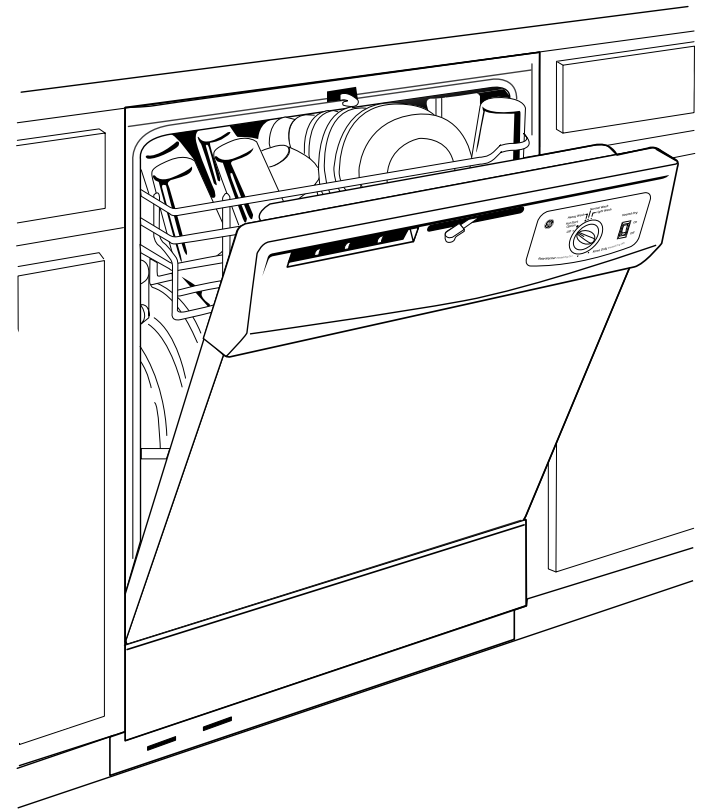


# GSD2100/2101R

## GE® Built-In Dishwasher

### Features and Benefits

- QuietPower™ motor - Motor runs quietly to keep the kitchen peaceful
- HotStart™ option - Ensures that water temperatures remain consistent from the beginning of a cycle to the end
- 4-level PowerScrub™ wash system - Precision water jets and hot temperatures power away tough food stains
- Deluxe silverware basket - Basket holds multiple pieces of silverware for thorough cleaning
- Heated Dry option - Adds warm air to speed up the drying process
- ENERGY STAR® Qualified - Meets or exceeds federal guidelines for energy efficiency for year-round energy and money savings
- Model GSD2100RWW - White on white
- Model GSD2100RCC - Bisque on bisque
- Model GSD2100RBB - Black on black
- Model GSD2101RWW - White on white, has power cord attached
- Model GSD2101RBBB - Black on black, has power cord attached



imagination at work