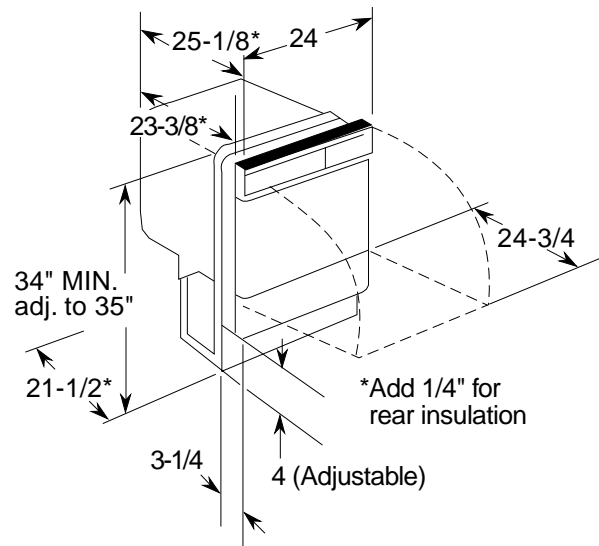


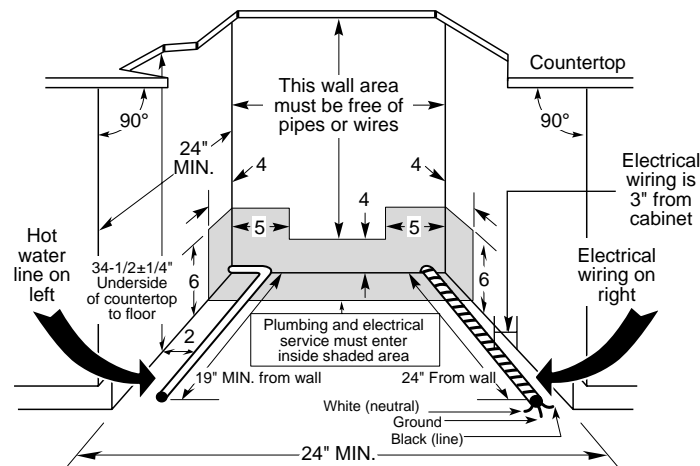


## GSD2020FBB—GE Nautilus™ Built-In Dishwasher

### Built-In Dishwasher Dimensions (in inches)



### Rough-In Installation Information (in inches)



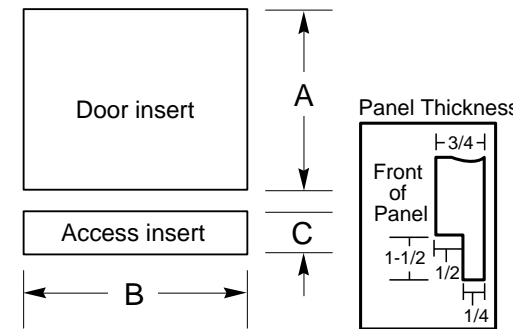
**Note:** Dishwasher must not be installed more than 10 feet from sink for proper drainage. All plumbing and electrical work must be in accordance with local codes.

### Electrical Rating

Voltage AC.....	120
Hertz .....	.60
Total connected load amperage.....	8.6
Calrod® heater watts.....	500

For use on adequately wired 120-volt, 15-amp circuit having 2-wire service with a separate ground wire. This appliance must be grounded for safe operation.

### Wood Insert Cut-Out Dimensions (in inches)



Models/Kits	A	B	C	Panel Thickness
GE Models				
GPF325 Kit	18-7/8"	23-9/16"	3-11/16"	1/4"
GPF375 Kit	18-15/16"	23-5/8"*	4-1/4" to 3-3/4"***	3/4"

\*Bottom of panel must be notched 1-1/2" x 1/2" to clear across panel

\*\*Adjustment required to match adjacent cabinets fronts due to leveling leg adjustment, 4" nominal.

For answers to your Monogram®, GE Profile Performance Series™, GE Profile™ or GE appliance questions, call GE Answer Center® service, 800.626.2000.

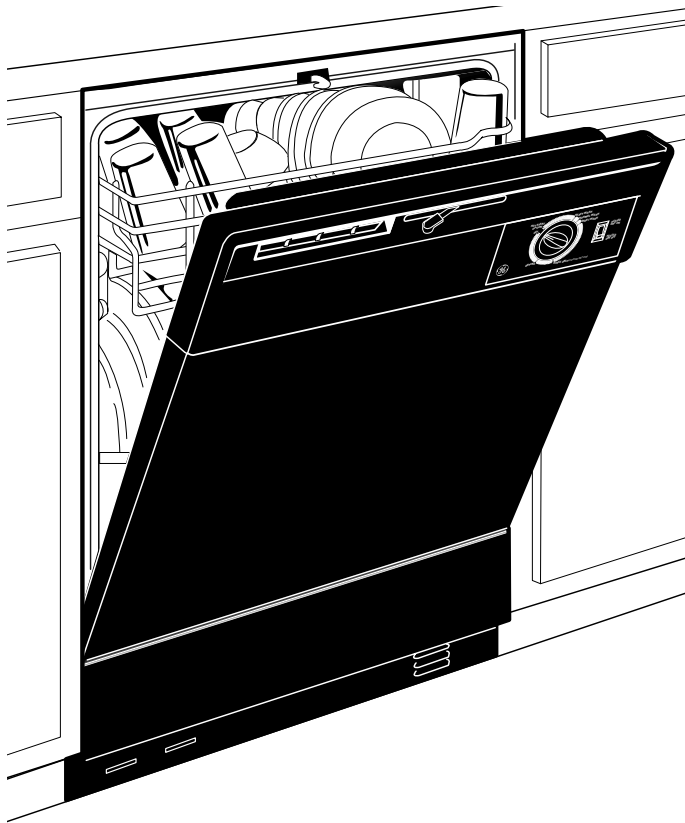


Listed by Underwriters Laboratories



**GE Appliances**

## **GSD2020FBB—GE Nautilus™ Built-In Dishwasher**



### **Features and Benefits**

- Standard Wash System with 2 Wash Levels
- Food Disposer
- 4 Cycle / 9 Option Selections: Heavy Wash, Normal Wash, Short Wash and Rinse Only/Hold (Dial)
- Heated Dry On/Off Option
- HotStart™ Option
- Standard Upper Rack
- Deluxe Lower Rack
- Deluxe Silverware Basket
- Rinse Aid Dispenser
- PermaTuf™ Tub and Door Liner
- QuietPower™ Motor
- Standard Sound Insulation Package
- Trimless Appearance
- GSD2030FWW - White on white
- GSD2020FBB - Black on black
- GSD2000FWH - White
- GSD2000FAD - Almond