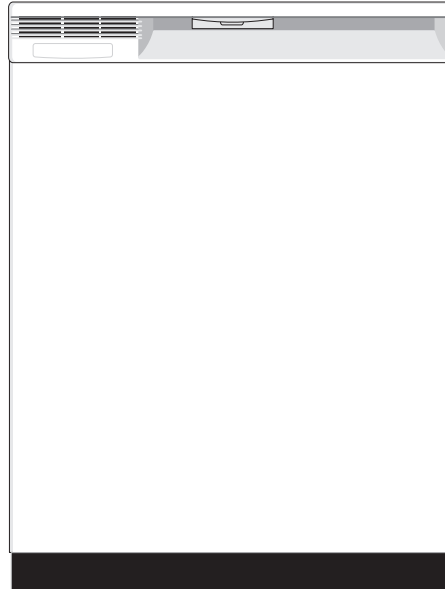


FACTORY PARTS CATALOG DISHWASHER

Frigidaire

 **Electrolux**



PRODUCT NO.	BASE MODEL NO.	SERIES	COLOR
FDB956RBC1	FDB956RB	24" Built-in	white
MARKET			
North America			

SERVICE DATA SHEET # - 154444501
 OWNER'S GUIDE # - 154446701
 INSTALLATION INSTRUCTIONS # - 154427301
 ENERGY GUIDE LABEL # - 154399013

**24" Built-In
DISHWASHER**

**Model No.
FDB956RB**

1101 BOX 112070, Augusta, GA 30901

Publication No.

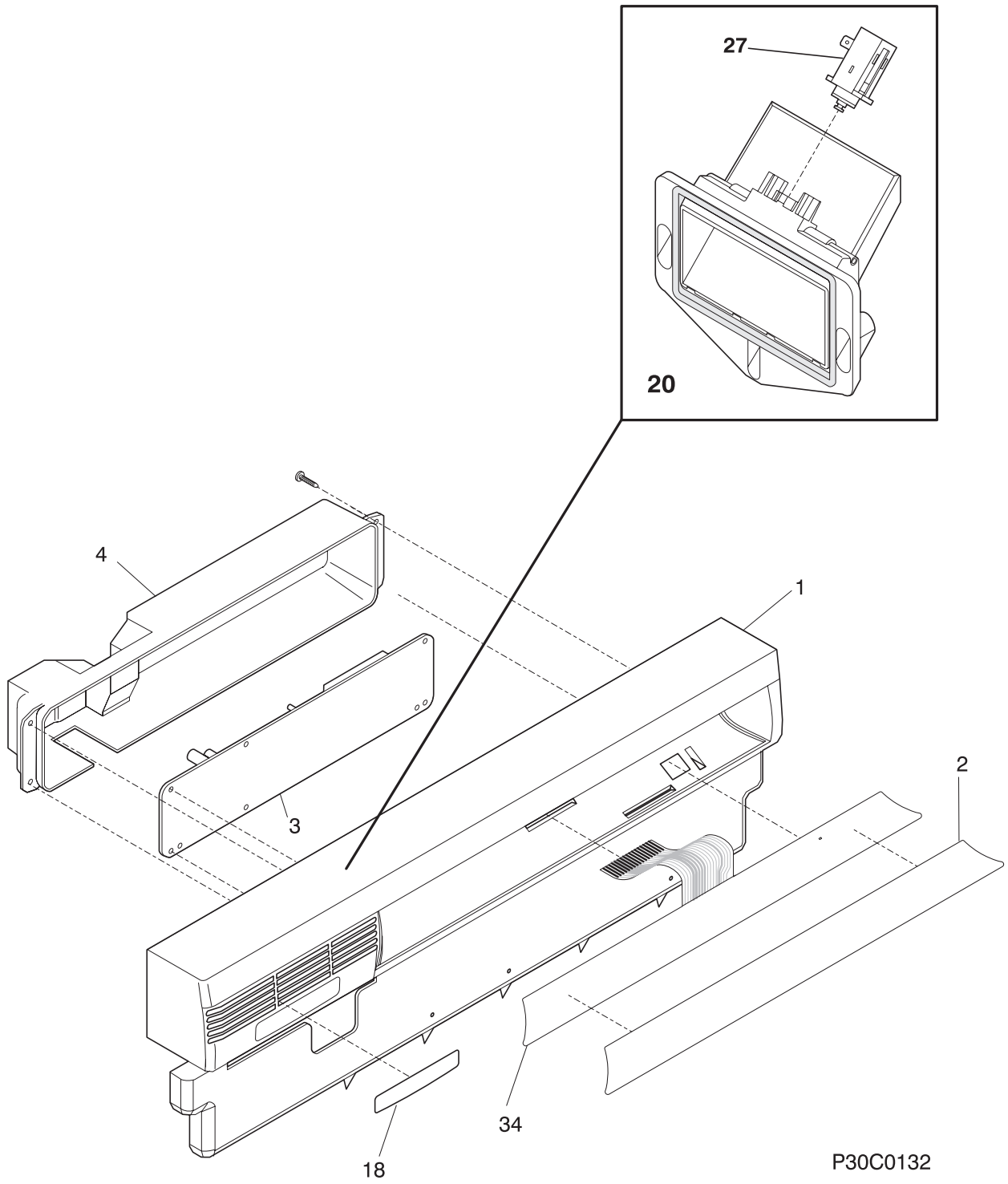
5995381075

021107

-EN/SERVICE /ECL

821

CONTROL PANEL

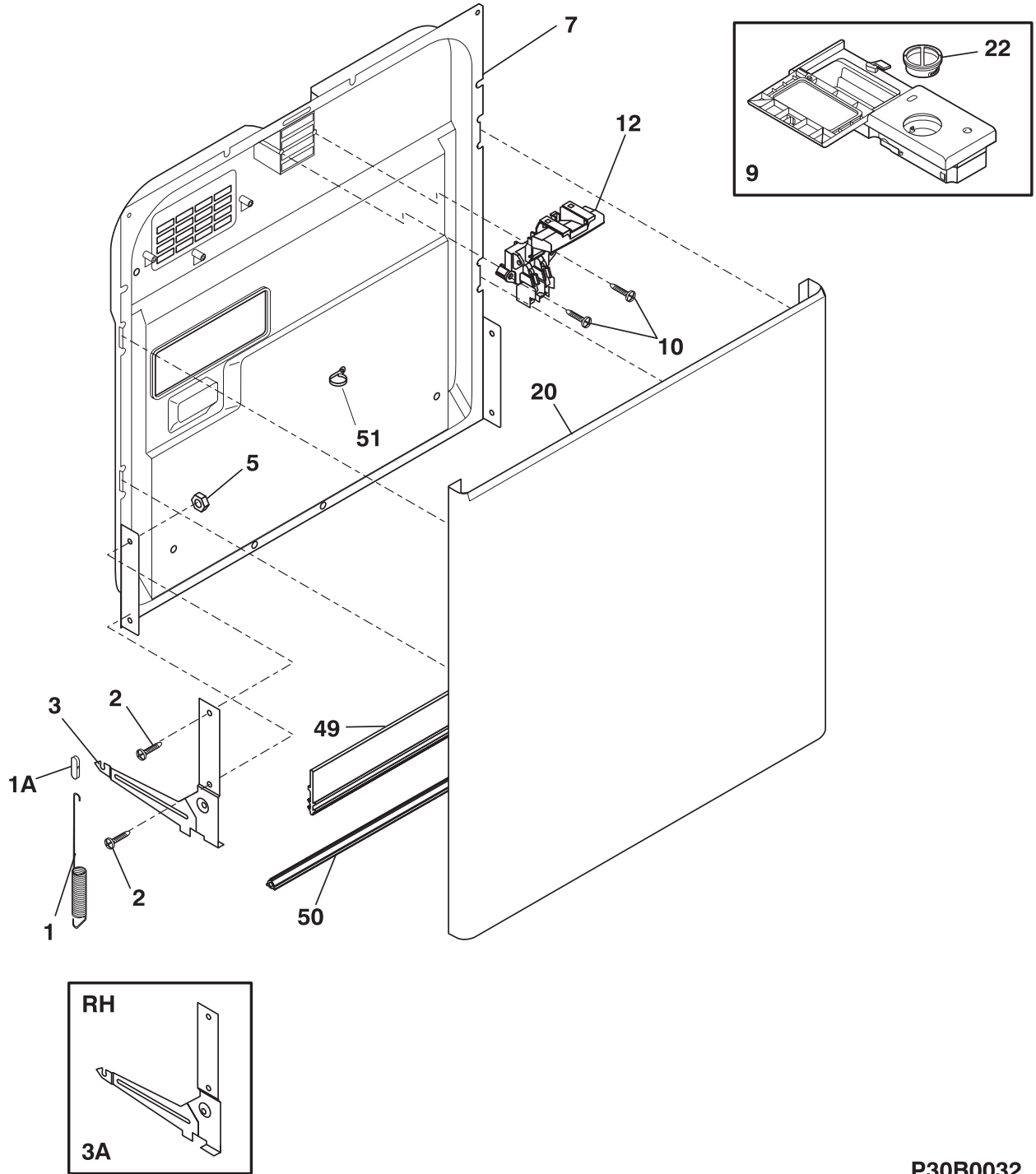


P30C0132

CONTROL PANEL

POS. NO	PART NO	DESCRIPTION
1	154370303	Panel,control ,black
2	154445003	Insert,control panel ,black
3 #	154445801	Control,electronic
3*	154200401	Screw,6-10 x 3/8 ,pan plask
4	154287901	Cover,control
18	154422303	Nameplate,black
20	154423601	Vent assy,active dry ,w/actuator
20*	154436201	Screw,dry duct ,(3)
27	154433501	Actuator,active dry vent
34 #	154442101	Keypad,9pad
* #	154444801	Wiring Harness
*	154227501	Thermistor
*	154399013	Label,energy guide
*	154283901	Screw,#8-10 ,3/8 phillips

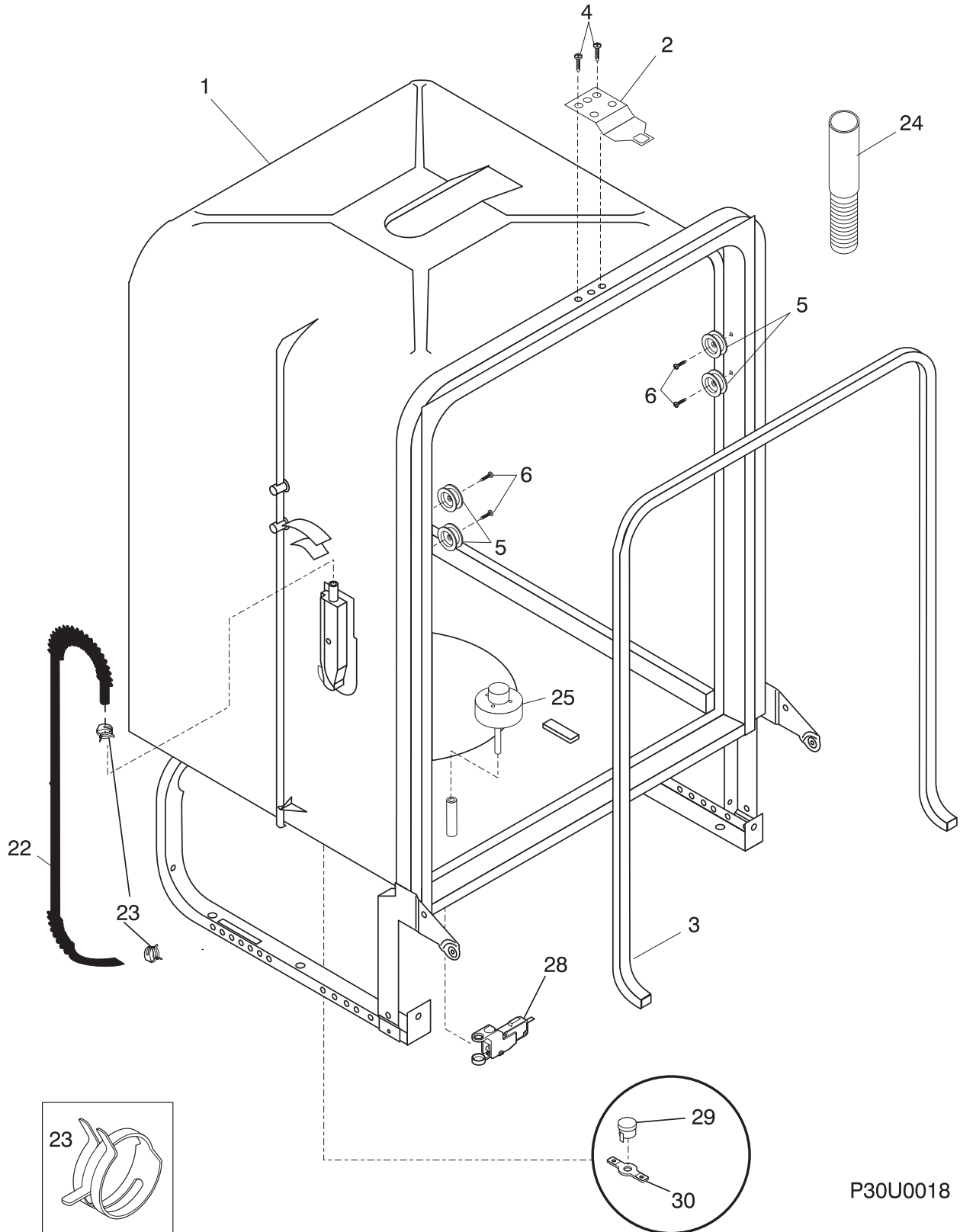
DOOR



P30B0032

DOOR

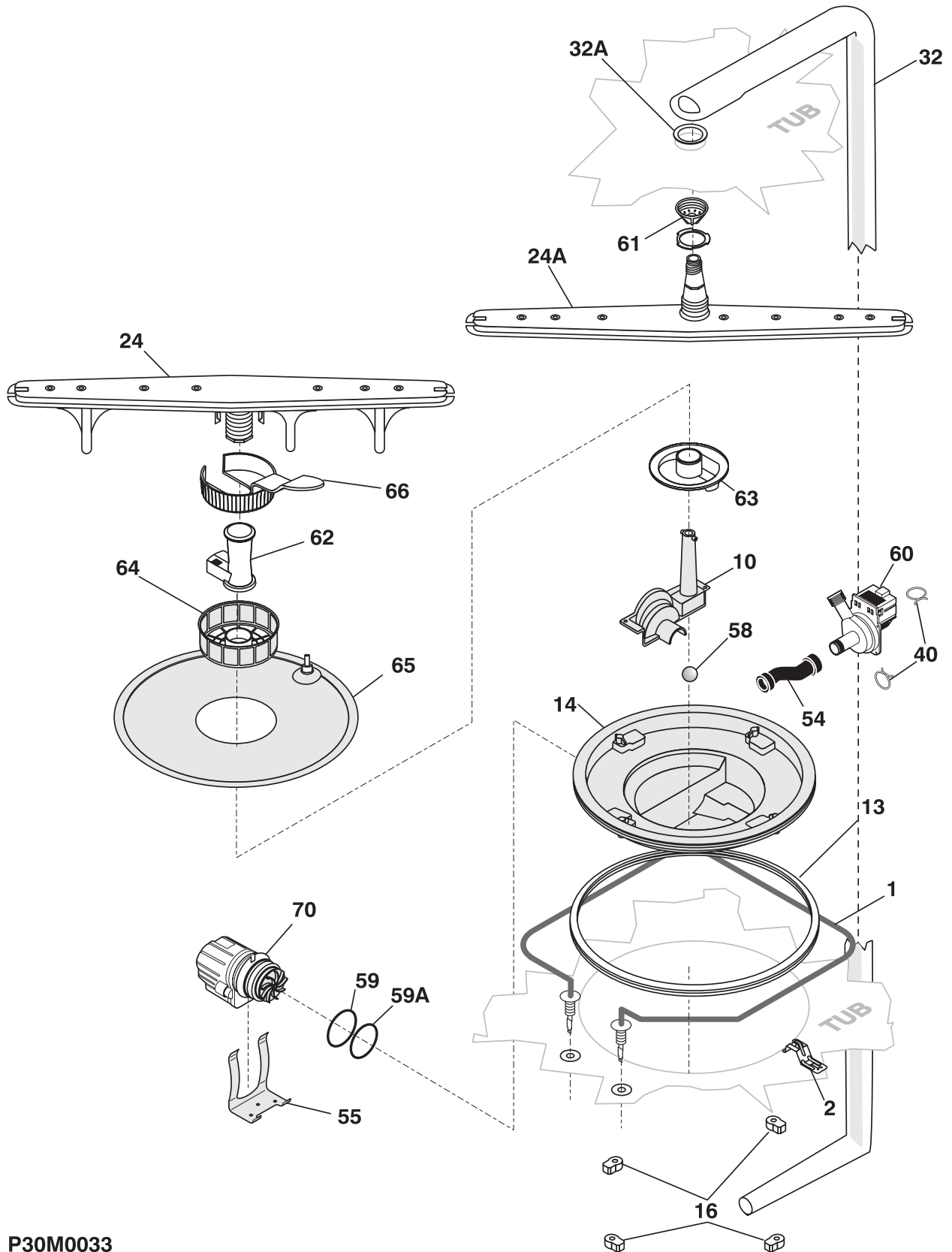
POS. NO	PART NO	DESCRIPTION
1	154414001	Spring,door ,(2)
1A	154325201	Linkage,door spring ,(2)
2	154093301	Screw,arm assy ,(4)
3	154325304	Arm Assy,LH
3A	154325303	Arm Assy,RH
*	154400601	Pin,arm assy
5	154079601	Nut,arm assy ,and handle mtg.
7	154299004	Door,inner assy
9	154230103	Dispenser,det/rinse aid ,includes #22
9*	154294701	Screw,#7 plas .375 ,(6) ,disp. assy.
10	154103702	Screw,latch mtg ,(2)
12 #	154361203	Latch assy,black
20	154436806	Door assy,stainless ,outer
20*	154253201	Insulation,door
20*	5304428306	Screw,door mtg. ,(2)
22	154388801	Cap,Rinse aid
49	154297603	Gasket,door ,bottom
50	154211401	Support,door hinge
51	154320301	Clamp,drip loop ,wire



P30U0018

TUB

POS. NO	PART NO	DESCRIPTION
1 #	154209301	Tub assy,w/frame parts
2	154429101	Strike,door
3 #	154211801	Gasket,tub
4	154200602	Screw,10-16 x 3/8 ,hex
5	154333902	Roller,tub
6	5303943103	Screw,w/washer ,(8)
22	154239801	Tubing,water inlet
23	5303318539	Clamp,tubing ,(2)
24 #	154411003	Hose,drain
25 #	154209701	Float
28	154408701	Switch assy,float
29 #	154290204	Thermostat,re-settable
30	154241101	Retainer,thermostat
30*	154297701	Screw,retainer-thermo
*	154238304	Insulation,tub
*	154360201	Insulation,blanket ,back
*	154041001	Screw,plask #1 ,10-10 x 9/16
*	5300807270	Screw,(2) ,countertop mtg.
*	154200601	Screw,#10-16 x 3/8

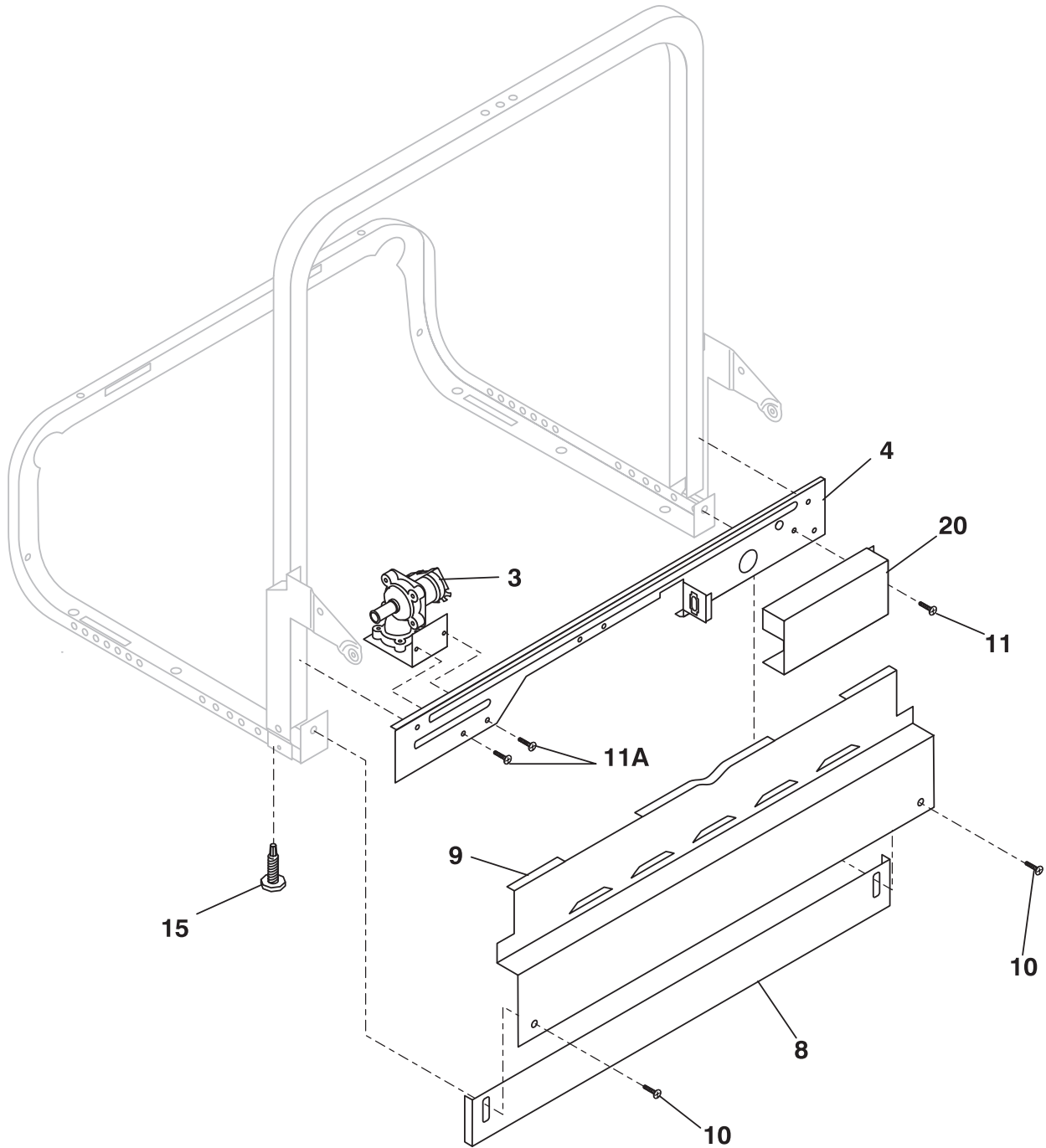


P30M0033

MOTOR & PUMP

POS. NO	PART NO	DESCRIPTION
1 #	154247601	Heater
1*	154106201	Nut,heater ,(2)
1*	154289801	Shield,heater terminal
2	154359701	Bracket,heater ,(2)
10	154245501	Cover,volute
13	154246801	Gasket,sump
14	154365902	Housing,sump
16	154246502	Retainer,sump
24	154414101	Spray arm,lower ,w/heat shield
24A	154313601	Spray arm,center
24A*	154252001	Nut,spray arm ,center
32	154406601	Tube,delivery
32A	154406401	Gasket,delivery tube
40	154348401	Clamp,red ,pump
40	154348501	Clamp,silver ,pump
40*	154106801	Clamp,hose ,(2)
54	154234401	Hose,connector
55	154362301	Bracket,motor ,askoll
55*	5303316032	Screw,truss ss ,8 .625
58	154246402	Check ball
59	154246901	O-ring,rear
59A	154247001	O-ring,front
60	154407401	Drain Pump Assy
60*	154426201	Bracket,motor ,drain
61	154406501	Nozzle,3rd level ,spray arm
62	154294101	Support,spray arm ,lower
63	154252201	Base,soil director
64	154252301	Filter,soil director
65	154252401	Filter,polypro
66	154252701	Trap,glass
70 #	154395403	Motor assembly,circulation ,w/o o'rings
*	154380601	Clamp,hose ,(1)
*	154200601	Screw,#10-16 x 3/8

FRAME

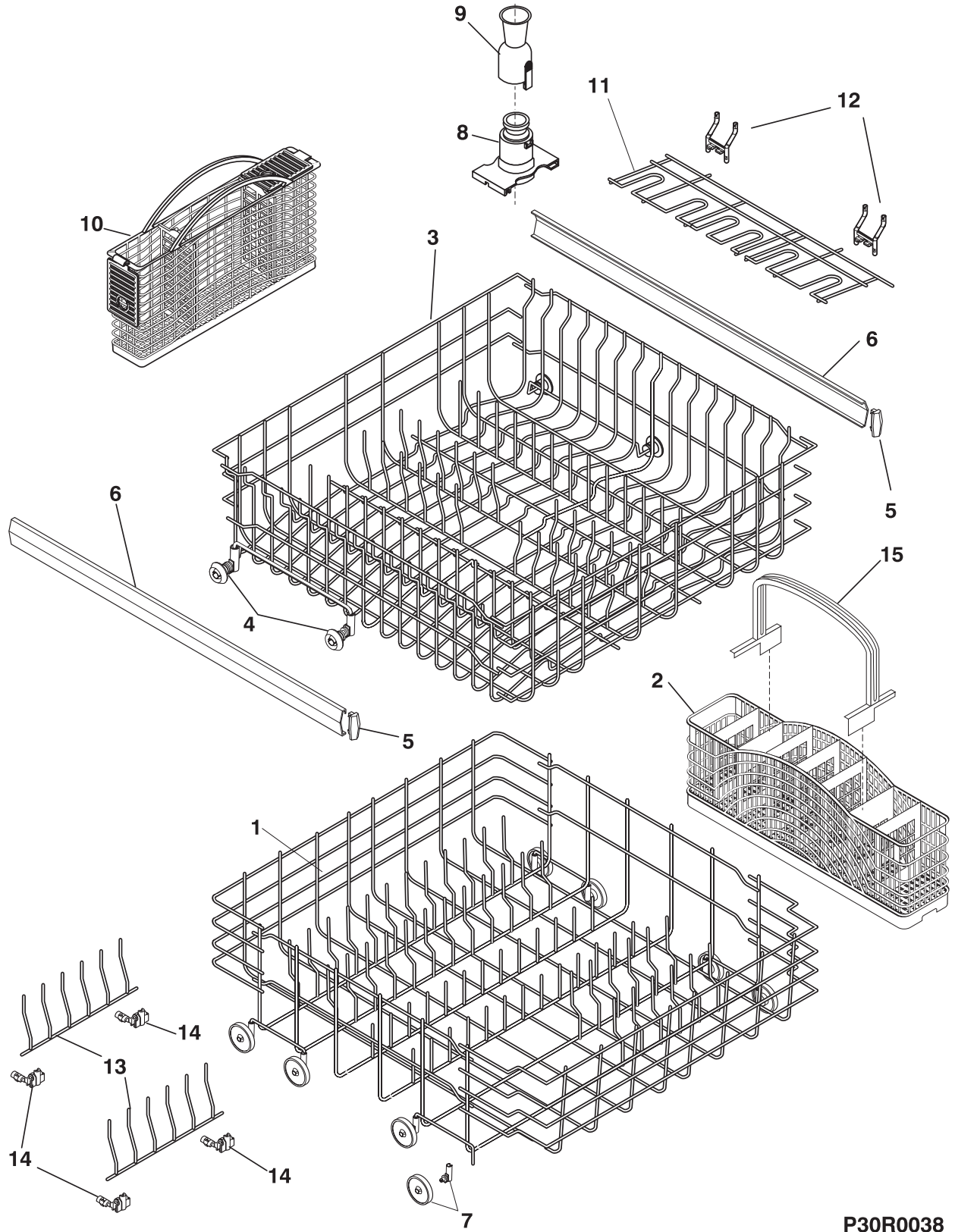


P30F0022

FRAME

POS. NO	PART NO	DESCRIPTION
3 #	154373303	Valve,water
4	154208701	Brace,front frame
8	154322903	Toeplate,adjustable ,black
9	154397203	Kickplate Assy,black ,w/foam
10	5300808658	Screw,#8A x .375" ,black
11	154409401	Screw,#8-18 x .375
11A	154200601	Screw,#10-16 x 3/8
15	154419301	Screw,leveling
20	154209601	Cover,junction box
*	154412301	Baffle,sound
*	154290101	Guard,sound baffle ,wire
*	154290001	Insulation,sound baffle ,side
*	154041001	Screw,plask #1 ,10-10 x 9/16

RACKS



P30R0038

RACKS

POS. NO	PART NO	DESCRIPTION
1	154319708	Rack assy,lower
2	154295201	Basket,silverware
3	154319506	Rack assy,upper
4	5304407064	Wheel & bushing assy,upper rack
5	5300809927	Cap,slide ,(4)
6	154232701	Slide,rack ,(2)
7	154174501	Wheel & bracket assy,lower rack
8	154304001	Base,funnel
9	154251801	Funnel
10	154238801	Basket,utility ,white
11	154225203	Shelf,cup
12	154352401	Bracket,cup shelf ,(4)
13	154224902	Fence,fold down ,white ,lower rack ,(2)
14	154376501	Bracket,fold down fence ,lower rack ,(4)
15	154254001	Handle,basket ,silverware