

Frigidaire

Factory Parts Catalog

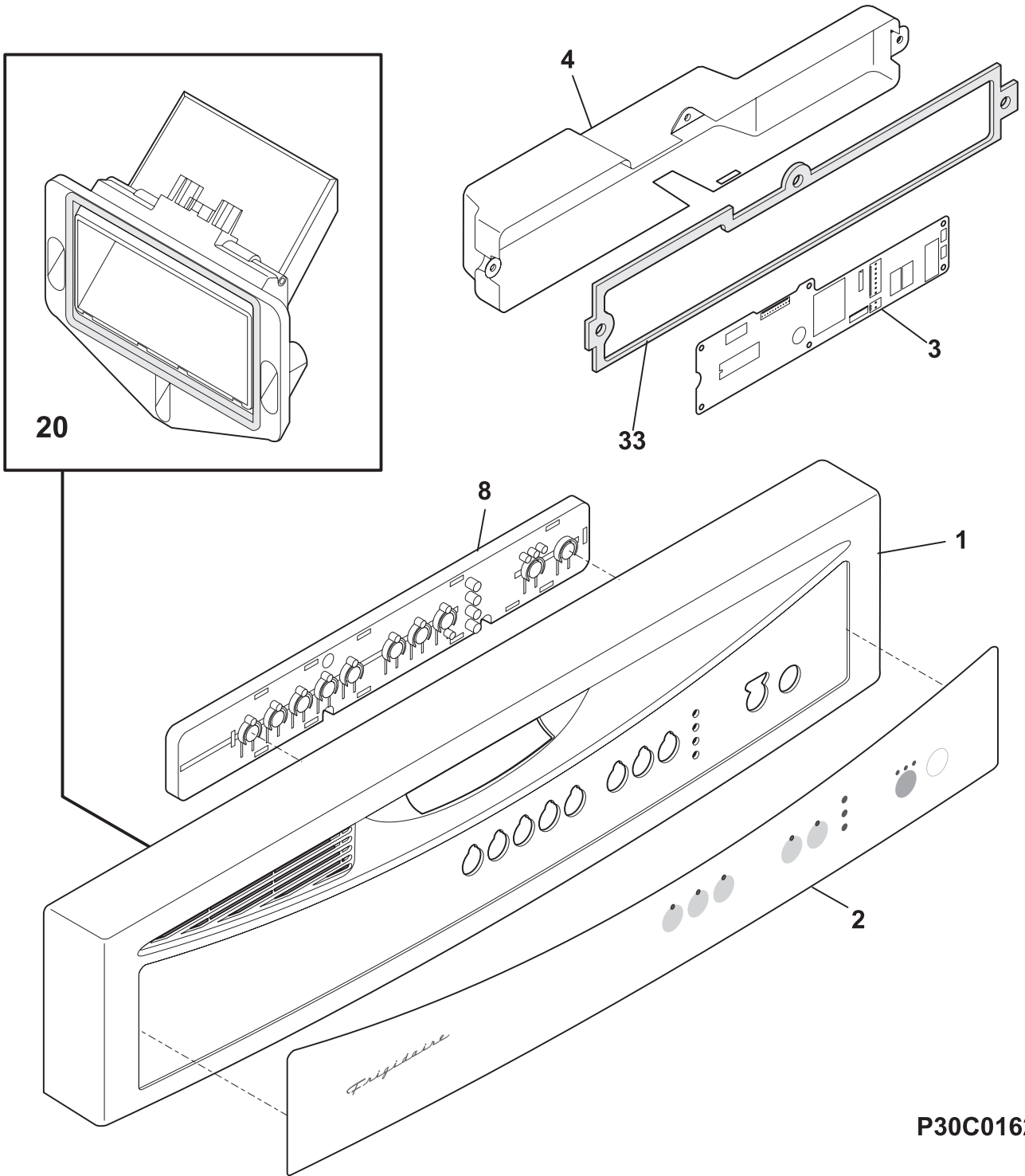
Product No.	FDB520RHB0	FDB520RHS0
Series	Built-in 24"	Built-in 24"
Color	black	white
Owner's Guide English	154659801	154659801
Owner's Guide Spanish	154659803	154659803
Owner's Guide French	154659802	154659802
Service Data Sheet	154737301	154737301
Energy Guide	154678526	154678526
Installation Instructions	154427301	154427301
Market	North America	North America

**24-INCH BUILT-IN
DISHWASHER**

Model No.
FDB520RH

Publication No.
5995529012
08/11/18
(EN/SERVICE/ECL)
821

CONTROL PANEL



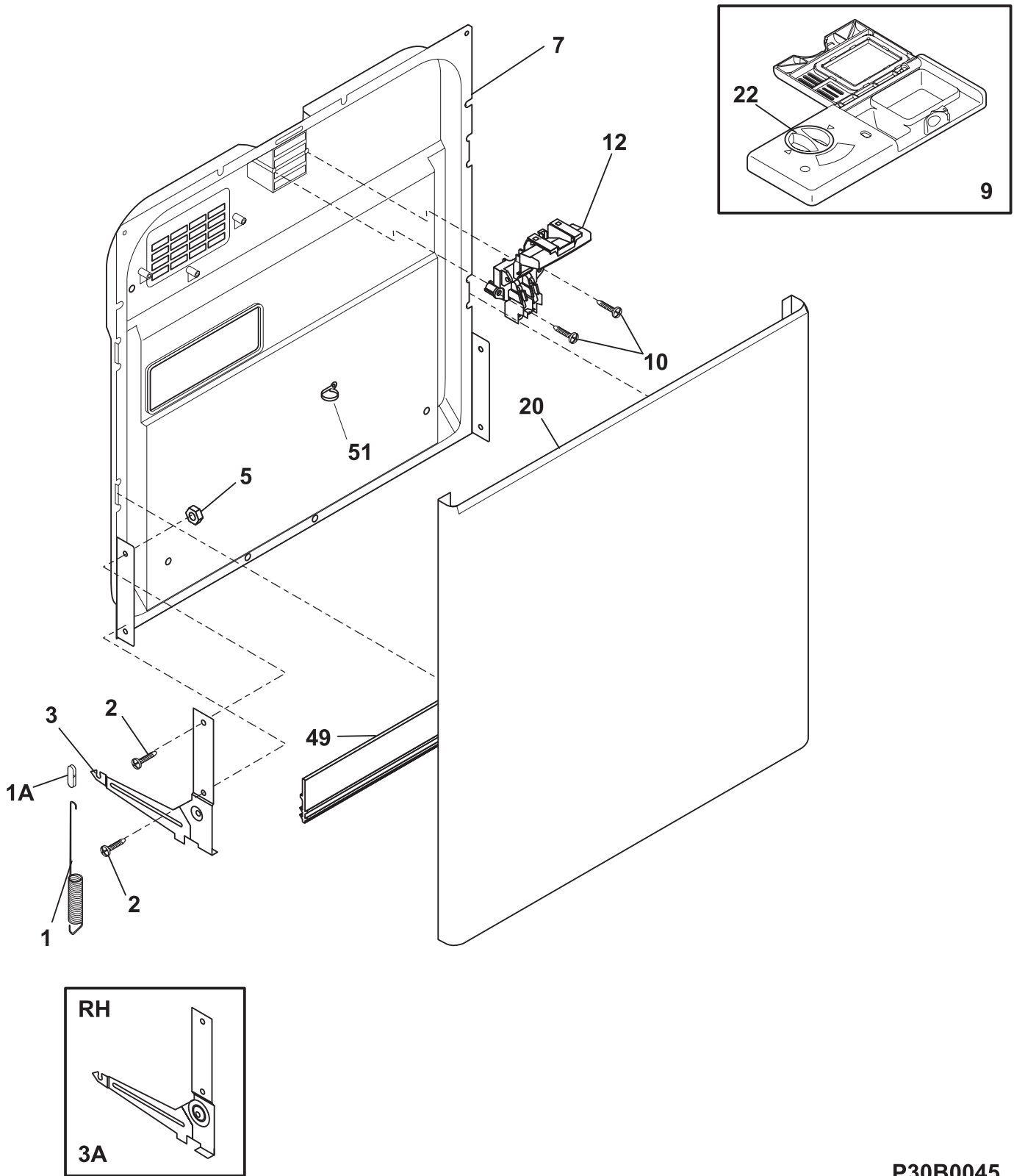
P30C0162

CONTROL PANEL

Model Index: A FDB520RH (FDB520RHS0)
 B FDB520RH (FDB520RHB0)

POS. NO	PART NO.		DESCRIPTION
1	154645201	A -	Panel, control, white
1	154645203	- B	Panel, control, black
2	154737601	A -	Overlay, control panel, white
2	154737603	- B	Overlay, control panel, black
3 #	154718501	A B	Control, board
4	154552101	A B	Cover, control
8 #	154737701	A B	Switch Assembly, 7 button
20	154433001	A B	Vent assy, static dry
20*	154436201	A B	Screw, dry duct, (3)
33	154553501	A B	Gasket, cover
* #	154646301	A B	Harness, wiring, main
* #	154738201	A B	Harness, wiring, switch, to main harness
*	154227501	A B	Thermistor
*	154678526	A B	Energy guide label
*	154294701	A B	Screw, #7 plas .375, (6), disp. assy.
*	154409401	A B	Screw, #8-18 x .375

DOOR



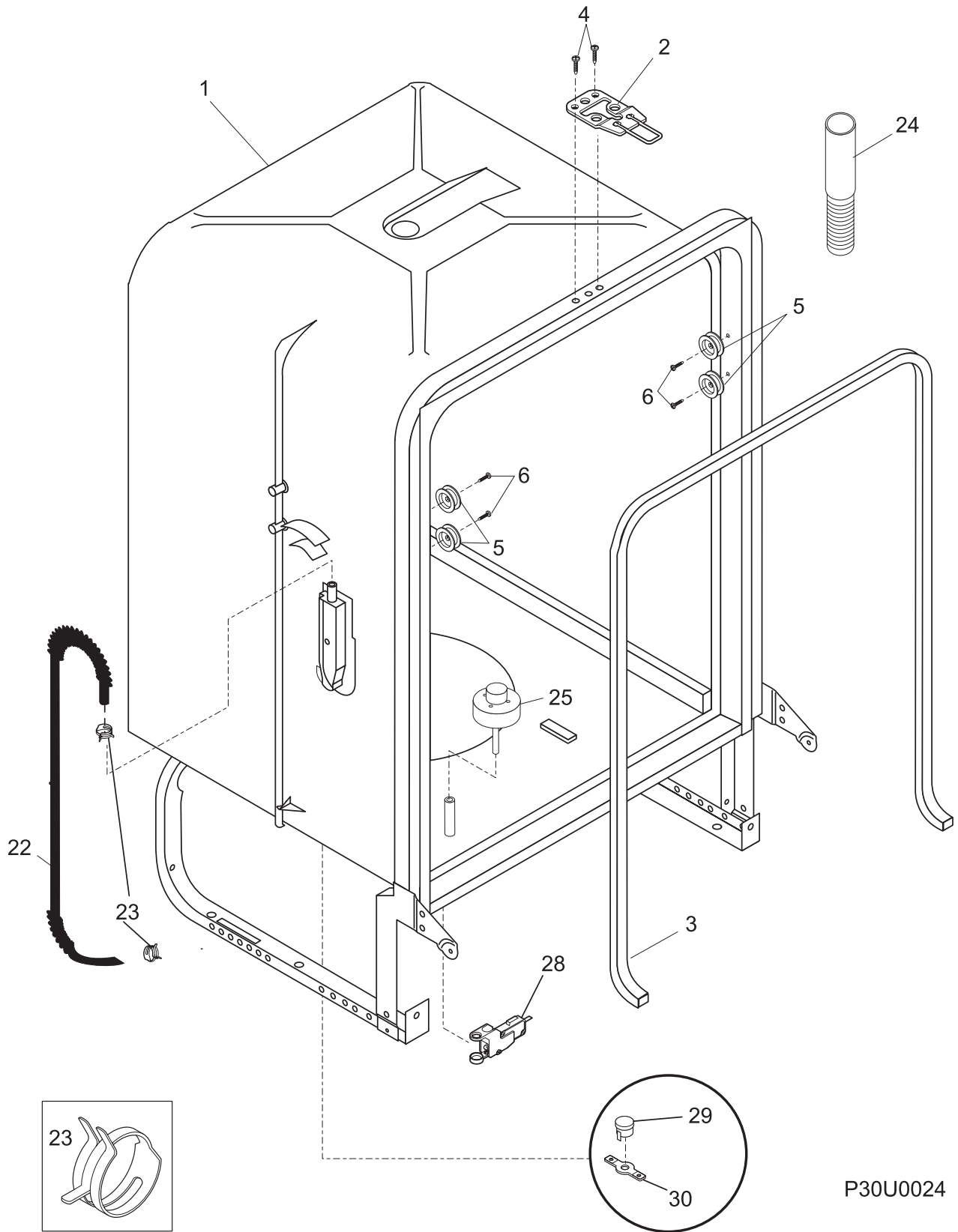
P30B0045

DOOR

Model Index: **A** FDB520RH (FDB520RHS0)
 B FDB520RH (FDB520RHB0)

POS. NO	PART NO.		DESCRIPTION
1	154430501	A B	Spring, door, (2)
1A	154325201	A B	Linkage, door spring, (2)
2	154093301	A B	Screw, arm assy, (4)
3	154691401	A B	Arm Assy, LH
3A	154691301	A B	Arm Assy, RH
*	154647101	A B	Hinge Pin, arm assy
*	154686401	A B	Bearing, hinge pin
5	154079601	A B	Nut, arm assy, and handle mtg.
7	154494601	A B	Liner, door assy.
9	154574401	A B	Dispenser, det/rinse aid, w/o reed
9*	154294701	A B	Screw, #7 plas .375, (6), disp. assy.
10	154103702	A B	Screw, latch mtg, (2)
12 #	154556701	A -	Latch assy, white
12 #	154556703	- B	Latch assy, black
20	154538301	A -	Door, white
20	154538303	- B	Door, black
20*	5304428306	A B	Screw, door mtg., (2)
22	154388801	A B	Cap, Rinse aid
49	154576501	A B	Gasket, door, bottom
51	154320301	A B	Clamp, drip loop, wire
*	154409401	A B	Screw, #8-18 x .375

TUB



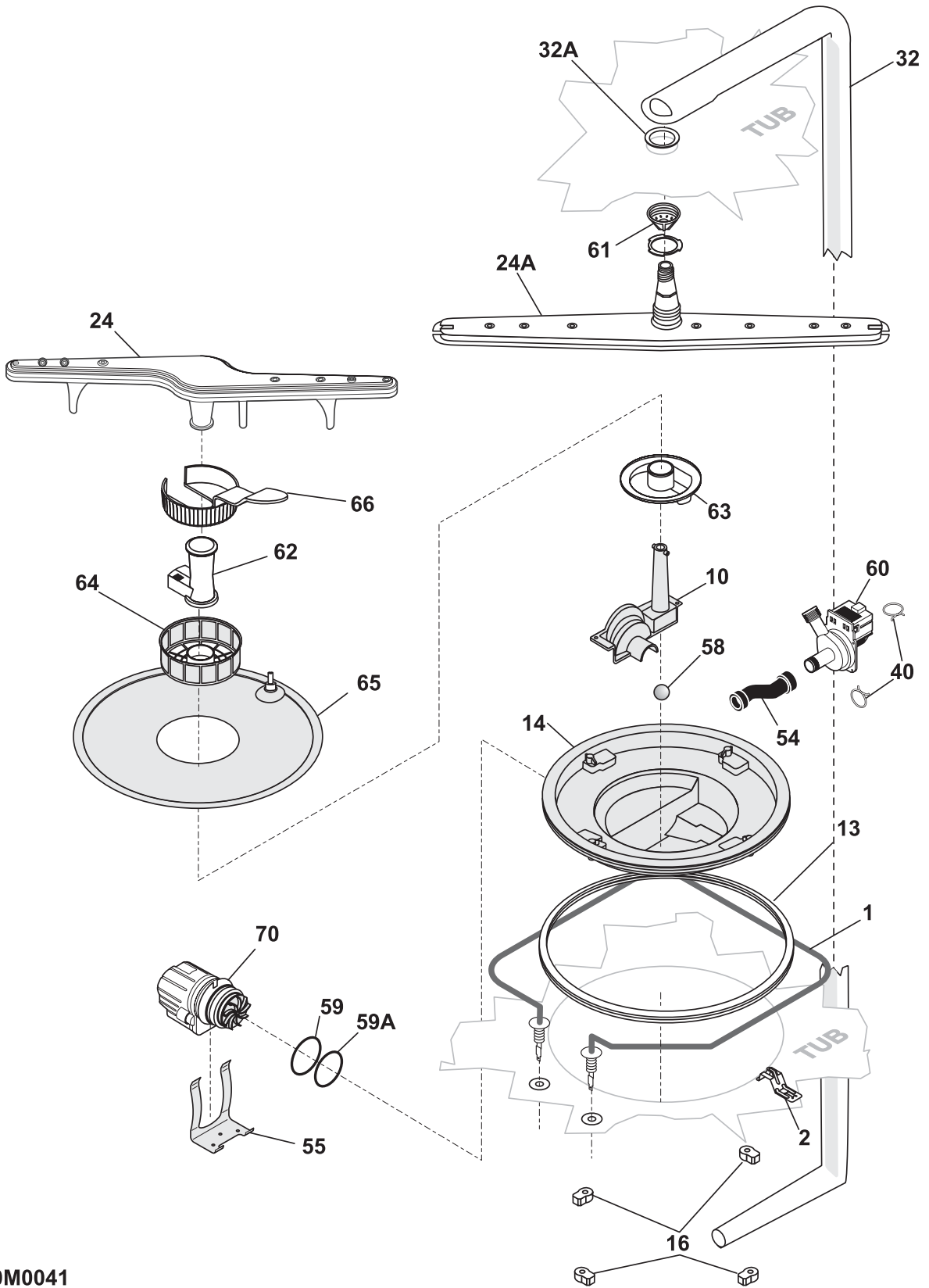
P30U0024

TUB

Model Index: A FDB520RH (FDB520RHS0)
 B FDB520RH (FDB520RHB0)

POS. NO	PART NO.		DESCRIPTION
1 #	154729301	A B	Tub assy, w/frame parts, white, PW
2	154662601	A B	Strike, door
3 #	154561001	A B	Gasket, tub
4	154200602	A B	Screw, 10-16 x 3/8, hex
5	154333902	A B	Roller, tub
6	5303943103	A B	Screw, w/washer, (8)
22	154577401	A B	Tubing, water inlet
23	5303318539	A B	Clamp, tubing, (2)
24 #	154606701	A B	Hose, drain
25 #	154209701	A B	Float
28	154408701	A B	Switch Assy, float
29 #	154290204	A B	Thermostat, re-settable
30	154241101	A B	Retainer, thermostat
30*	154297701	A B	Screw, retainer-thermo
*	154685101	A B	Gasket, tub, corner, (2)
*	5300807270	A B	Screw, (2), countertop mtg.
*	154041001	A B	Screw, plask #1, 10-10 x 9/16
*	154200601	A B	Screw, #10-16 x 3/8

MOTOR & PUMP



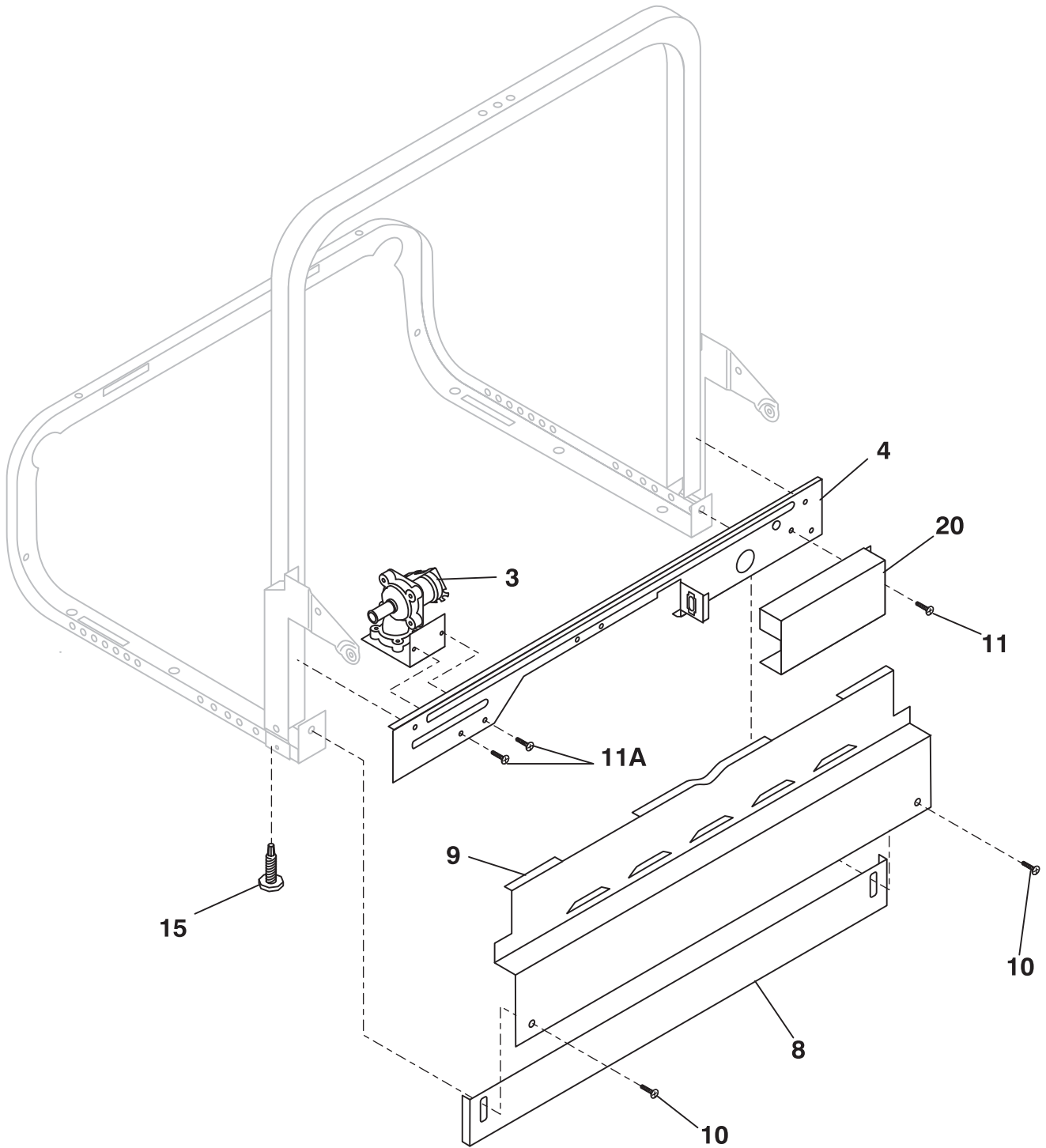
P30M0041

MOTOR & PUMP

Model Index: A FDB520RH (FDB520RHS0)
B FDB520RH (FDB520RHB0)

POS. NO	PART NO.		DESCRIPTION
1	154247601	A B	Heater
1*	154106202	A B	Nut, heater, (2)
1*	154289801	A B	Shield, heater terminal
2	154479601	A B	Bracket, heater, (2)
10	154245501	A B	Cover, volute
13	154246801	A B	Gasket, sump
14	154365902	A B	Housing, sump
16	154246502	A B	Retainer, sump
24	154568001	A B	Spray arm, white, lower, w/heat shield
24A	154313601	A B	Spray arm, center
24A*	154252001	A B	Nut, spray arm, center
32	154406601	A B	Tube, delivery
32A	154406401	A B	Gasket, delivery tube
40	154348401	A B	Clamp, hose, red, push spring, (3)
40	154348502	A B	Clamp, red, hose
40*	154106801	A B	Clamp, hose, 1.29" open, worm gear, (2)
40*	154380601	A B	Clamp, hose, 1.5" open, worm gear, (5)
54	154234401	A B	Hose, connector
55	154595901	A B	Bracket, motor
55*	5303316032	A B	Screw, truss ss, 8 .625, (7)
58	154246402	A B	Check ball
59	154246901	A B	O-ring, rear
59A	154247001	A B	O-ring, front
60 #	154640201	A B	Drain Pump Assy
60*	154426201	A B	Bracket, motor, drain
60*	154581501	A B	Screw, drain motor, (3)
61	154606801	A B	Nozzle, 3rd level, spray
62	154294101	A B	Support, spray arm, lower
63	154252201	A B	Base, soil director
64	154252301	A B	Filter, soil director, white
65	154252401	A B	Filter, polypro
66	154252701	A B	Trap, glass
70 #	154700101	A B	Motor & Pump Assy, johnson, 2900
*	154200601	A B	Screw, #10-16 x 3/8

FRAME



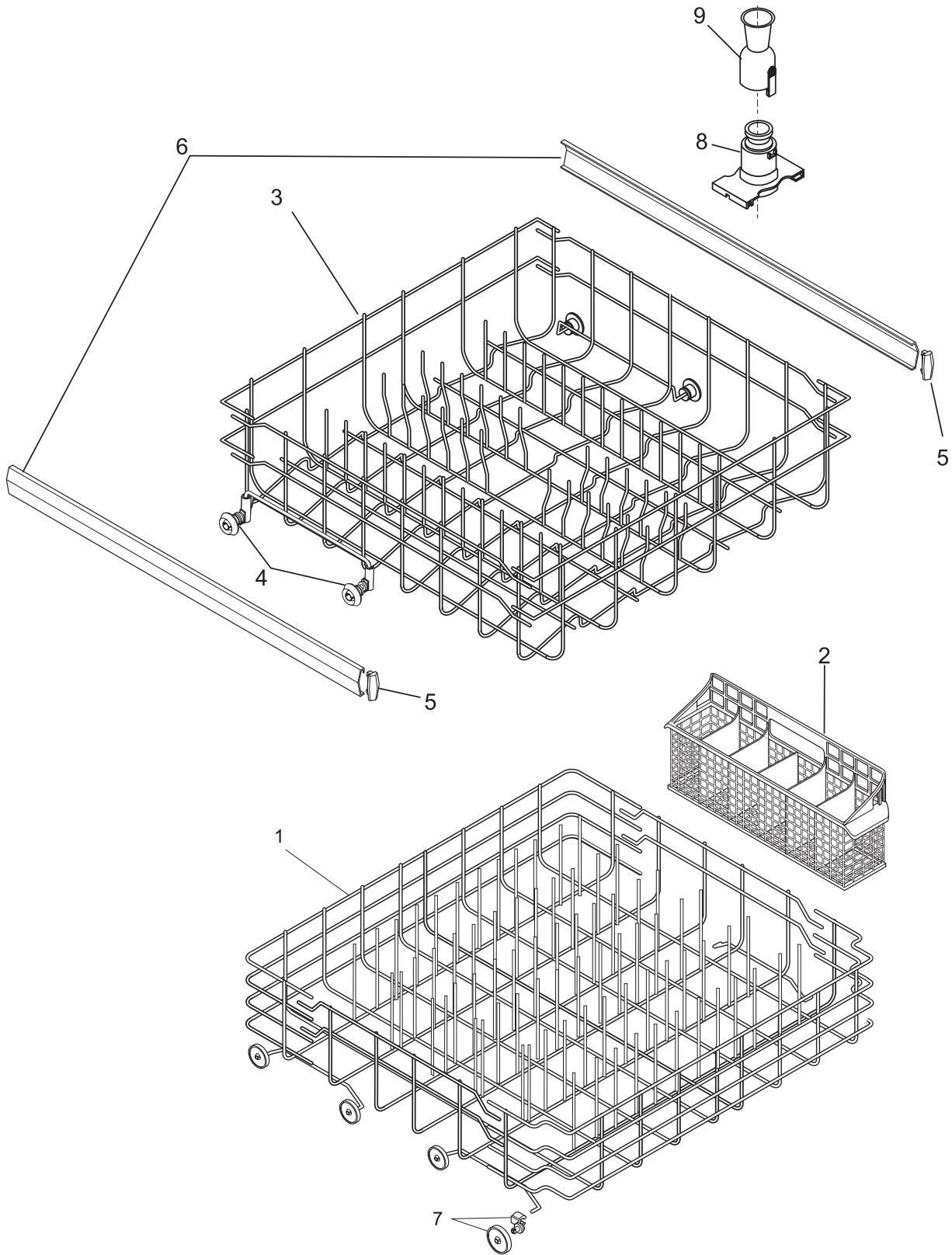
P30F0022

FRAME

Model Index: A FDB520RH (FDB520RHS0)
 B FDB520RH (FDB520RHB0)

POS. NO	PART NO.		DESCRIPTION
3 #	154637401	A B	Valve, water
4	154669301	A B	Brace, front frame
8	154589401	A -	Toeplate, adjustable, white
8	154589403	- B	Toeplate, adjustable, black
9	154589501	A -	Kickplate Assy, white
9	154589503	- B	Kickplate Assy, black
10	154371301	A -	Screw, Phillips head, white
10	5300808658	- B	Screw, #8A x .375", black
11	154200701	A B	Screw, #10-32 x 3/8
11A	154200601	A B	Screw, #10-16 x 3/8
15	154571101	A B	Leg, leveling, (4)
20	154597001	A B	Cover, junction box
*	154041001	A B	Screw, plask #1, 10-10 x 9/16
*	154200602	A B	Screw, 10-16 x 3/8, hex
*	154409401	A B	Screw, #8-18 x .375

RACKS



P30R0111

RACKS

Model Index: A FDB520RH (FDB520RHS0)
 B FDB520RH (FDB520RHB0)

POS. NO	PART NO.		DESCRIPTION
1	154336020	A B	Rack assy, lower, w/rollers
2	5300808994	A B	Basket, silverware
3	154331502	A B	Rack assy, upper
4	154522901	A B	Wheel & bushing assy, upper rack, (8)
5	5300809927	A B	Cap, slide, (4)
6	154597801	A B	Slide, rack, upper, (2)
7	154174502	A B	Wheel & bracket assy, lower rack
8	154304001	A B	Base, funnel
9	154251801	A B	Funnel