

DishDrawer

MODELS

DD603
DD603I
DS603
DS603I
DD603M
DS603M

DD603H
DD603IH
DS603H
DS603IH
DD603HM
DS603HM



Fisher & Paykel Appliances Ltd
PO Box 58-732, Greenmount.
78 Springs Rd, East Tamaki
New Zealand
Tel: (09) 2730660
Fax: (09) 2730580

Fisher & Paykel Appliances Inc
27 Hubble, Irvine, California,
CA92618, USA
Ph: 949 790 8900
Fax: 949 790 8911

Fisher & Paykel Customer Services Pty
Ltd
A.C.N. 003 3335 171, 19 Enterprise Street,
Cleveland, QLD 4163
PO Box 798, Cleveland, QLD 4163,
Ph: 07 3826 9100,
Fax: 07 3826 9164

Fisher & Paykel Appliances Ltd UK
Broxell Close, Wedgnoek Industrial
Estate, Warwick CV34 5QF
Ph: 01926 626700
Fax: 01926 626701

Fisher & Paykel Appliances Singapore
150 Ubi Avenue 4,
Sunlight Building #02-00
Singapore 408825
Phone: 6547 0100
Service Ph: 6741 0777
Fax: 6547 0123

PRODUCTS

Brand Fisher & Paykel

Voltage 110V 60Hz, 230-240V 50Hz*, 100V 50/60Hz+, 110-120V 50Hz

Model	Series	Code
DD603	0	87721* 87722* 88269 88270 88284+ 88411 87779 87785 87786 87787 87768 87769 87800 88707 88708 88732
DD603I	0	87723* 88271 87770 88709
DD603H	0	88906 88900 88737 88736 88738 88286 88290 88294
DD603IH	0	88907 88902 88904 88739 88287
DD603M	0	87820 87822
DD603HM	0	88421 88769 88292 88296
DS603	0	87724* 87725* 88272 88273 88285+ 88412 87780 87788 87789 87790 87771 87772 88710 88711 88731
DS603I	0	87726* 88274 87773 87795 88712
DS603H	0	88908 88901 88741 88740 88742 88288 88291 88295
DS603IH	0	88909 88903 88905 88743 88289
DS603M	0	87821 87823
DS603HM	0	88422 88770 88293 88297

CONTENTS

FRONT PANELS / CONTROLS.....	6
CABINET.....	10
LID & LINK ASSEMBLY	14
TUBS & COMPONENTS.....	16
BASKETS & RACKS.....	20
INSTALLATION COMPONENTS.....	22

GUIDE TO USING THIS MANUAL

The model(s) and/or series covered by this manual are listed on the front cover.

The information detailed in this manual is subject to change without notice, the latest version is indicated by the reprint date and replaces any earlier editions.

The front cover picture shows the type of product and may not necessarily be an exact image of the models covered by the manual.

Part References

Where a Model is shown, the part is exclusive to the Model(s) stated. Common parts relating to a part reference are applicable to all other Model(s) which use the particular item. D-Double, S-Single, I-Integrated, H-Water Softener, M-Iridium

Kit Parts

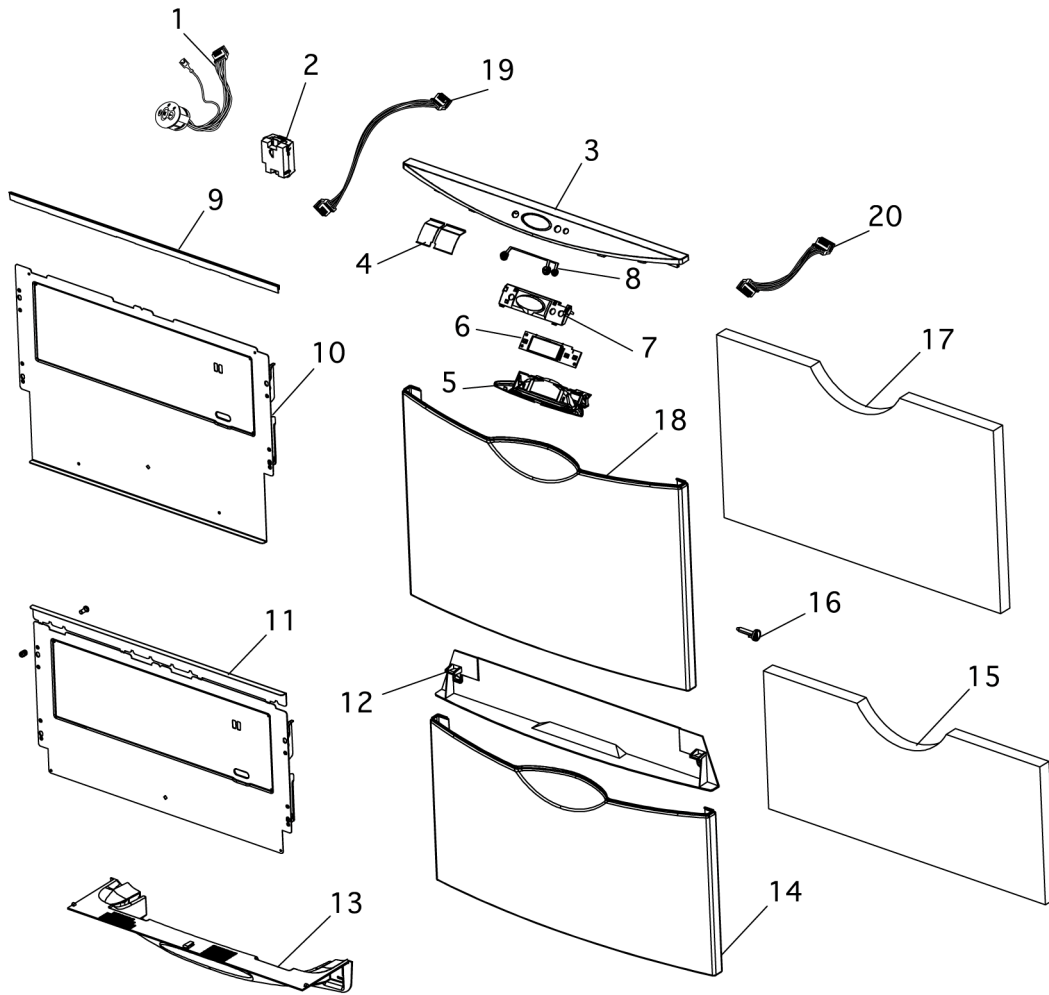
The components shown in *italics* are those parts in the kit which are available also as separate items. In addition, some parts may be supplied with this kit which are not available as separate items and are therefore not listed in this manual.

All details relating to Technical Bulletins or Notes are shown on a dedicated page. The Technical Bulletin Number shown relates to the bulletin version which is produced for New Zealand Service Centres.

Parts List Key

NOT USED	As a part, indicates the diagram part reference is not used in this manual.
#	Beside the part number, indicates the part is no longer available.
<i>italics</i>	Kit components shown in <i>italics</i> are also available separately.
*	Indicates a technical bulletin or note exists for the part or part reference.
NI	As a part reference, indicates the part is not illustrated on the diagram.

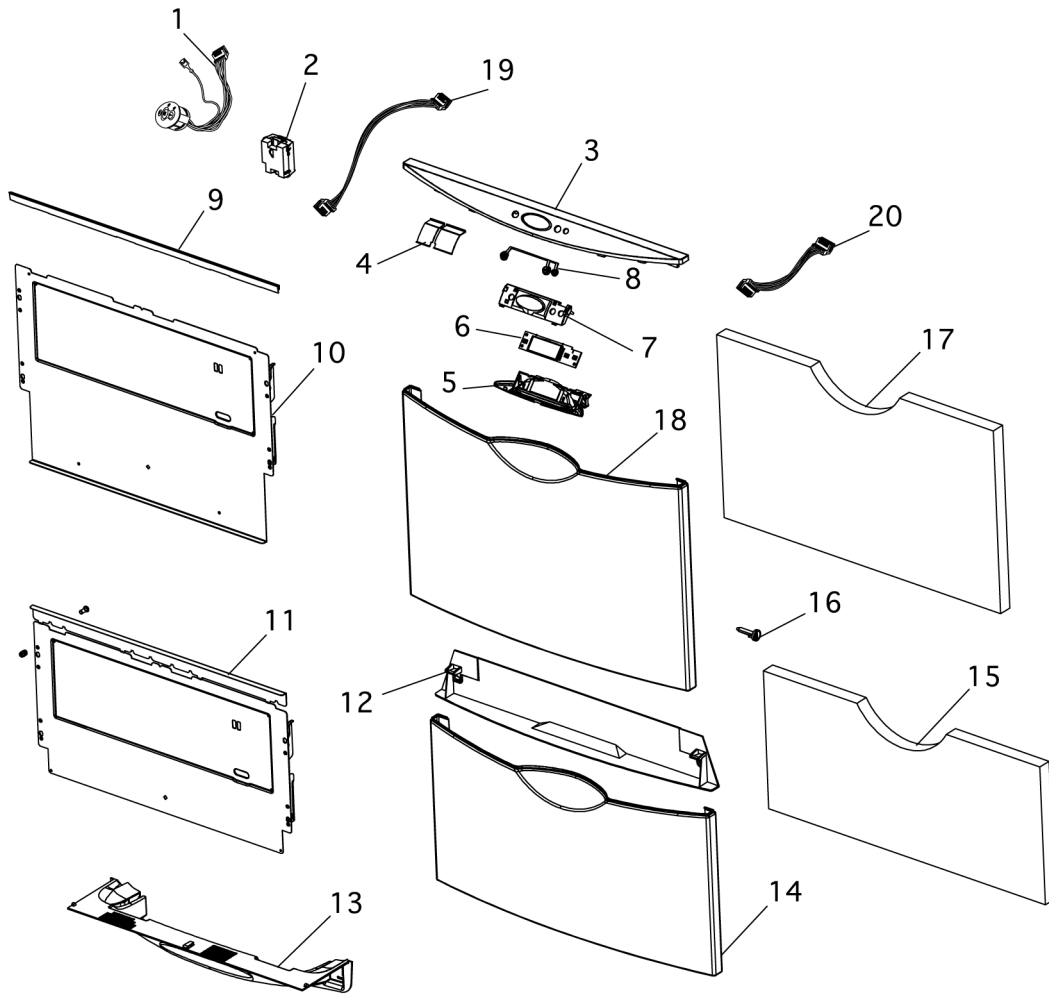
FRONT PANELS / CONTROLS



FRONT PANELS / CONTROLS

REF	PART	DESCRIPTION	MODEL
1	526618P	BADGE INT ASSY CHROME OVAL	I
		<i>526637 INT BADGE COVER PH3/CLIP</i>	
	526975P	BADGE INT ASSY SATIN RECTANGULAR	I
		<i>526637 INT BADGE COVER PH3/CLIP</i>	
2	526484	BADGE ISOLATOR 525 P3	I
3	526743	HANDLE LCD PREFINISH WH MLDG	
	526744	HANDLE LCD PREFINISH BK MLDG	
	526745	HANDLE LCD PREFINISH SS MLDG	
	526954	HANDLE LCD PREFINISH SS JA	
4	526627	SEAL LCD	
5	526211	HOUSING LCD BACK PH3	
6	526203P	DISP LCD MERCURY 525 P3	
	526977P	LCD BOARD PH 3.5	
7	526212	HOUSING LCD FRONT PH3	
8	526221	BUTTONS CONTROL WHITE PH3	
	526453	BUTTONS CONTROL BLACK PH3	
	526454	BUTTONS CONTROL SS PH3	
9	526466	SEAL INTEGRATED DOOR	I
10	526440	SHIELD INT DOOR UPPER ASSY BK	I
11	526441	SHIELD INT DOOR LOWER ASSY BK	DI
12	526080	INSERT DOOR	
13	525950	COWLING TUB	

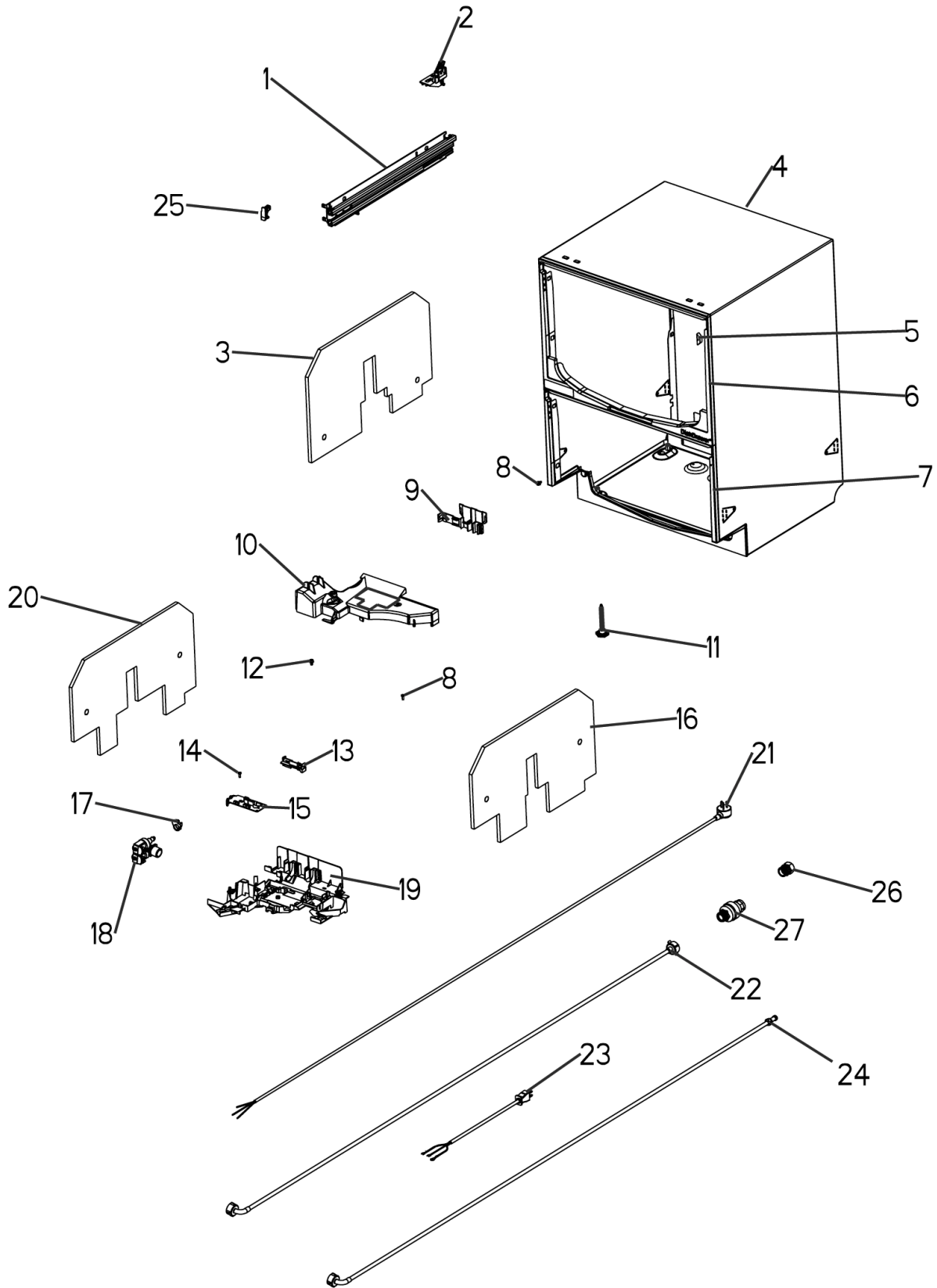
FRONT PANELS / CONTROLS



FRONT PANELS / CONTROLS

REF	PART	DESCRIPTION	MODEL
14	526244	DOOR LOWER ASSY SS	D
	526248	DOOR LOWER ASSY SS US	D
	526908	DOOR LOWER ASSY SM	DM
	526934	DOOR LOWER ASSY SM US	DM
	526232	DOOR LOWER ASSY WHITE	D
	526234	DOOR LOWER ASSY WHITE US	D
	526245	DOOR LOWER ASSY BLACK	D
	526249	DOOR LOWER ASSY BLACK US	D
15	526654	INSUL DOOR LOWER	D
	526655	INSUL DOOR LOWER US	D
16	525010	PIN DOOR	
17	526653	INSUL DOOR UPPER	
18	526240	DOOR UPPER ASSY SS FP US	
	527028	DOOR UPPER ASSY SS WP	
	526237	DOOR UPPER ASSY SS QFP	
	526907	DOOR UPPER ASSY SM QFP	M
	526933	DOOR UPPER ASSY SM FP US	M
	526230	DOOR UPPER ASSY WHITE QFP	
	526239	DOOR UPPER ASSY WHITE FP US	
	526241	DOOR UPPER ASSY BLACK QFP	
	526238	DOOR UPPER ASSY BLACK FP US	
	526240	DOOR UPPER ASS SS JA	D
	527067	DOOR SINGLE ASSY SS JA	S
19	526755	HARNESS BADGE ISOLATOR	I
20	526753	HARNESS LCD PH	
NI	526637	INT BADGE COVER PH3/CLIP	I
NI	526621	LIGHT PIPES INT BADGE	I
NI	526683	KIT INT BADGE BLACK OVAL	I
NI	526684	KIT INT BADGE SATIN CHROME OVAL	I
NI	526685	KIT INT BADGE BRASS OVAL	I
NI	527156	KIT INT BADGE CHROME OVAL	I
NI	527157	KIT INT BADGE SATIN RECTANGULAR	I

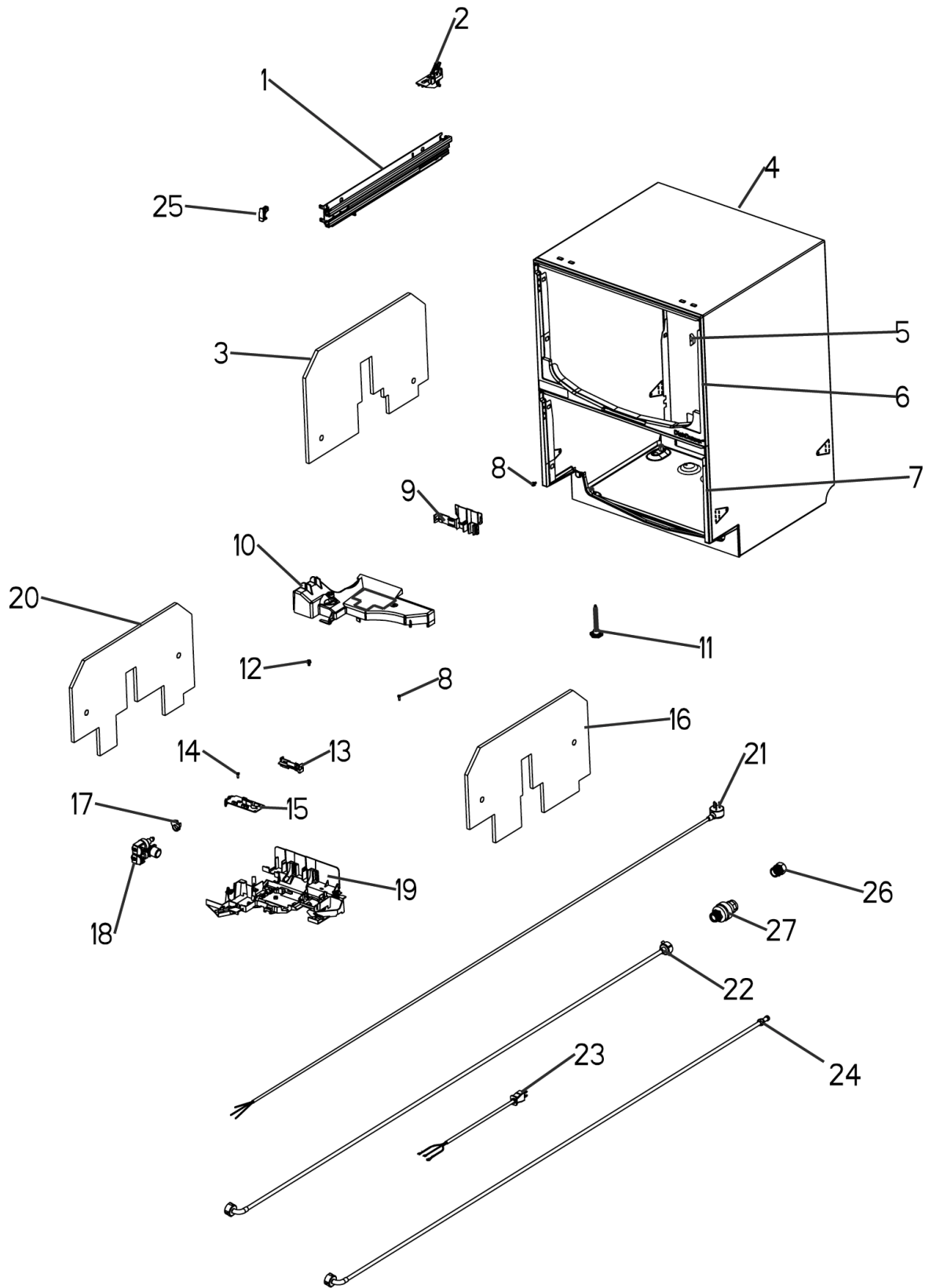
CABINET



CABINET

REF	PART	DESCRIPTION	MODEL
1	526323	SLIDE & BRACKET ASSY LH	
	526324	SLIDE & BRACKET ASSY RH	
2	526128	LATCH ASSY RH	
	526130	LATCH ASSY LH	
3	526669	INSUL CHASSIS TOP	
4	526756	KIT REPLACE CHASSIS DBL PH3	D
	526797	<i>TAB TOP X2</i>	
	526509	<i>FOOT X4</i>	
	525968	<i>MOUNT LINK TOP</i>	
	526378	<i>PRISM TUB HOME</i>	
	526768	KIT REPLACE CHASSIS SGL PH3	
	526378	<i>PRISM TUB HOME X2</i>	
5	526378	PRISM TUB HOME	
6	526776	KIT TRIM CHARCOAL	
	526378	<i>PRISM TUB HOME X2</i>	
7	526776	KIT TRIM CHARCOAL	
	526378	<i>PRISM TUB HOME X2</i>	
8	556607	SCREW MC M5X10 TAPTITE	
9	525968	MOUNT LINK TOP	D
10	525977	LID CHASSIS MODULE	
11	526509	FOOT	D
12	556605	SCREW ST M3.5X25 PLAST PNPZ BK	

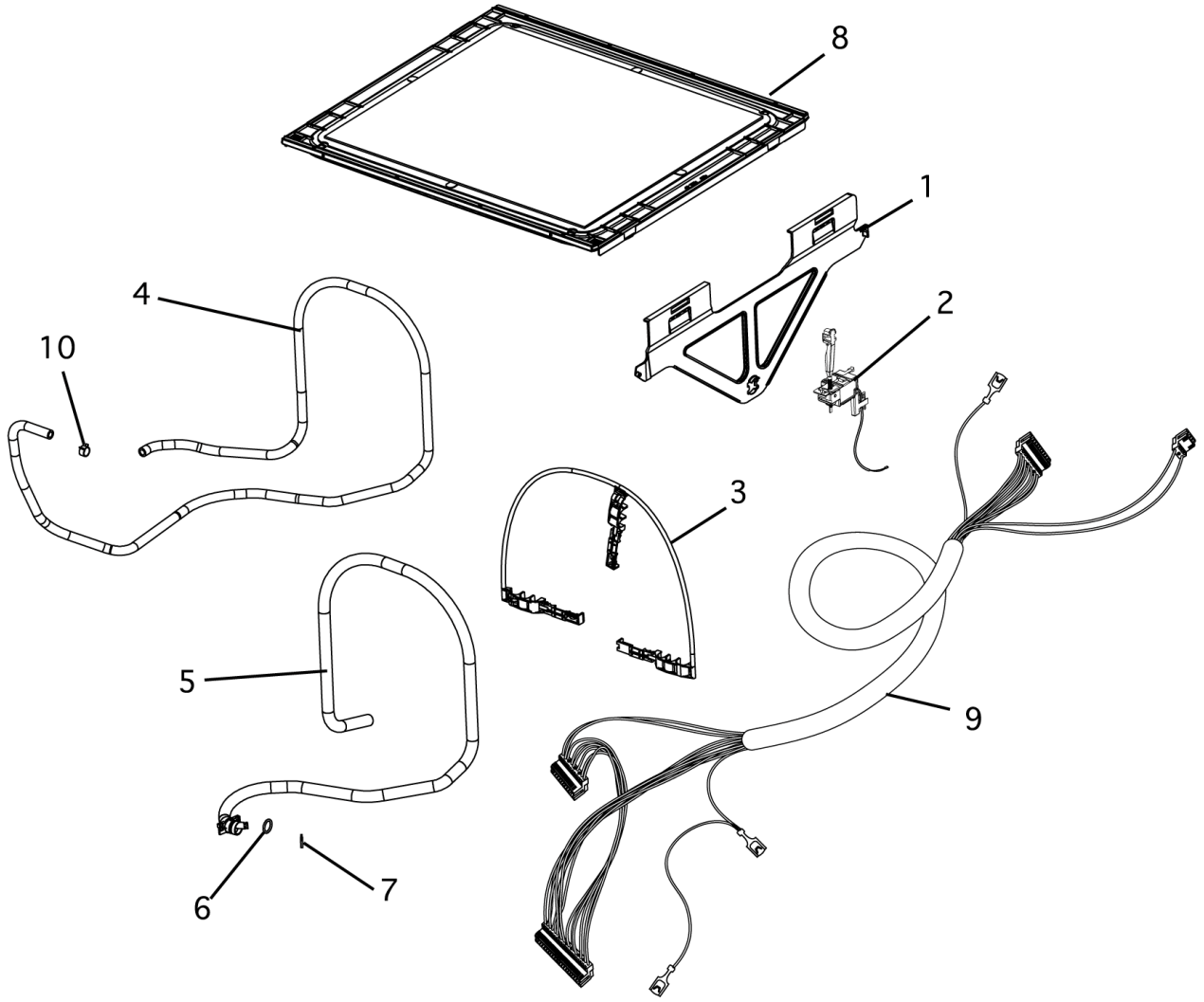
CABINET



CABINET

REF	PART	DESCRIPTION	MODEL
13	526250	RETAINER LINK	
14	556082	SCREW ST M4X12 XTITE HXWPH NWX	
15	525958P	MAINS FILTER BOARD PH3	
	525959P	MAINS FILTER BOARD PH3 US	
16	526667	INSUL CHASSIS BOTTOM LEFT	D
	526668	INSUL CHASSIS BOTTOM RIGHT	D
17	525466	CLAMP HOSE HERBIE TYPE E	
18	526850	VALVE INLET DOUBLE W/SOFT	DH
	525113	VALVE INLET DOUBLE	D
	526851	VALVE INLET SINGLE W/SOFT	SH
	525842	VALVE INLET SINGLE	S
19	525976	CHASSIS MODULE	
20	526690	INSUL CHASSIS SINGLE LEFT	S
21	525982	FLEX ASSY MAINS 10A (NZ, AUS, DK)	
	526673	FLEX ASSY MAINS DE	
	526856	FLEX ASSY MAINS JA	
	526349	FLEX ASSY MAINS GB	
22	521349	HOSE INLET ASSY WIRSBO COLD (NZ, AUS)	
	527021	HOSE INLET ASSY WIRSBO COLD WP, DK, EU, GB	
23	525983	FLEX ASSY MAINS US	
24	525970	HOSE INLET WIRSBO US	
	526809	HOSE INLET WIRSBO JA	
25	525971	CLIP TUB RELEASE R H	
	525972	CLIP TUB RELEASE L H	
26	527086	UNION NUT G20 MALE G20 DK	
27	527096	WATER BLOCK DK	
NI	572638	SADDLE TERMINATION STRIP	
NI	526841	CABAS 1.5 GN/YE PVC 1600 x O JA	
NI	527141	WASHER WIRSBO 25.8x11.0x2.0, DK	
NI	526797	TAB TOP	

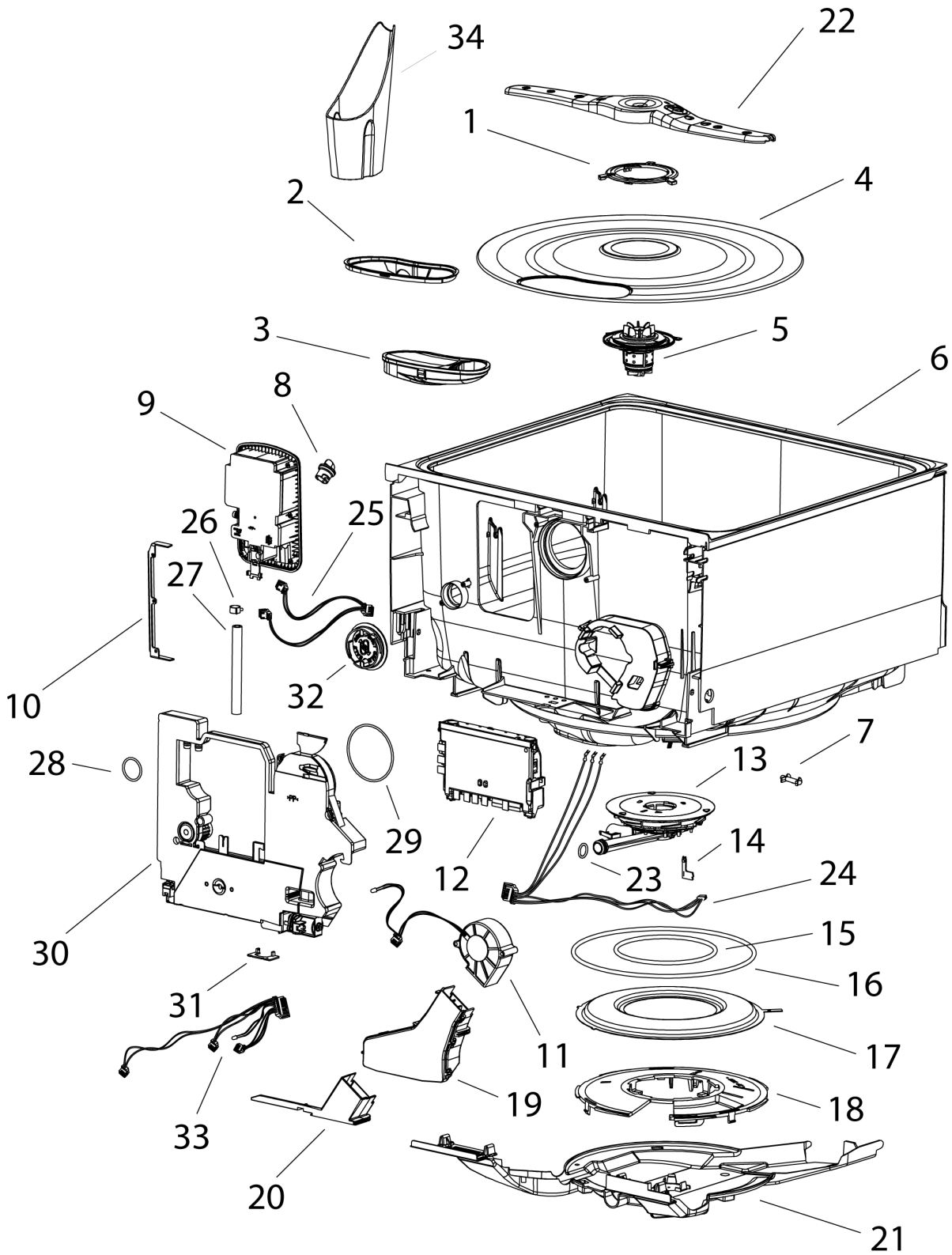
LID & LINK ASSEMBLY



LID & LINK ASSEMBLY

REF	PART	DESCRIPTION	MODEL
1	526186	YOKE LID RIGHT	
	526260	YOKE LID LEFT	
2	526469	LID ACTUATOR ASSY BOT LH	
	526470	LID ACTUATOR ASSY BOT RH	
	526275	LID ACTUATOR ASSY TOP LH	D
	526371	LID ACTUATOR ASSY TOP RH	D
3	526396	LINK SUPPORT	
4	526837	HOSE FILL LOWER	
	525964	HOSE FILL LOWER US	
	526836	HOSE FILL UPPER	D
	525965	HOSE FILL UPPER US	D
5	527137	KIT DRAIN HOSE	
		<i>525940 O RING CUFF SOCKET UL</i>	
6	525940P	O RING CUFF SOCKET UL REC PKT4	
7	525414P	VALVE FLAP X2	
8	526732	LID ASSY PH3	
9	526749	HARNESS CHASSIS LOWER	
	526750	HARNESS CHASSIS UPPPER	D
10	525743	CLAMP HOSE TYPE 12232-17-4	
NI	525798	KIT DRAIN HOSE EXTENSION	
		<i>525482 CLIP WIRE DRAIN</i>	
		<i>525780 DRAIN HOSE EXTENDER</i>	

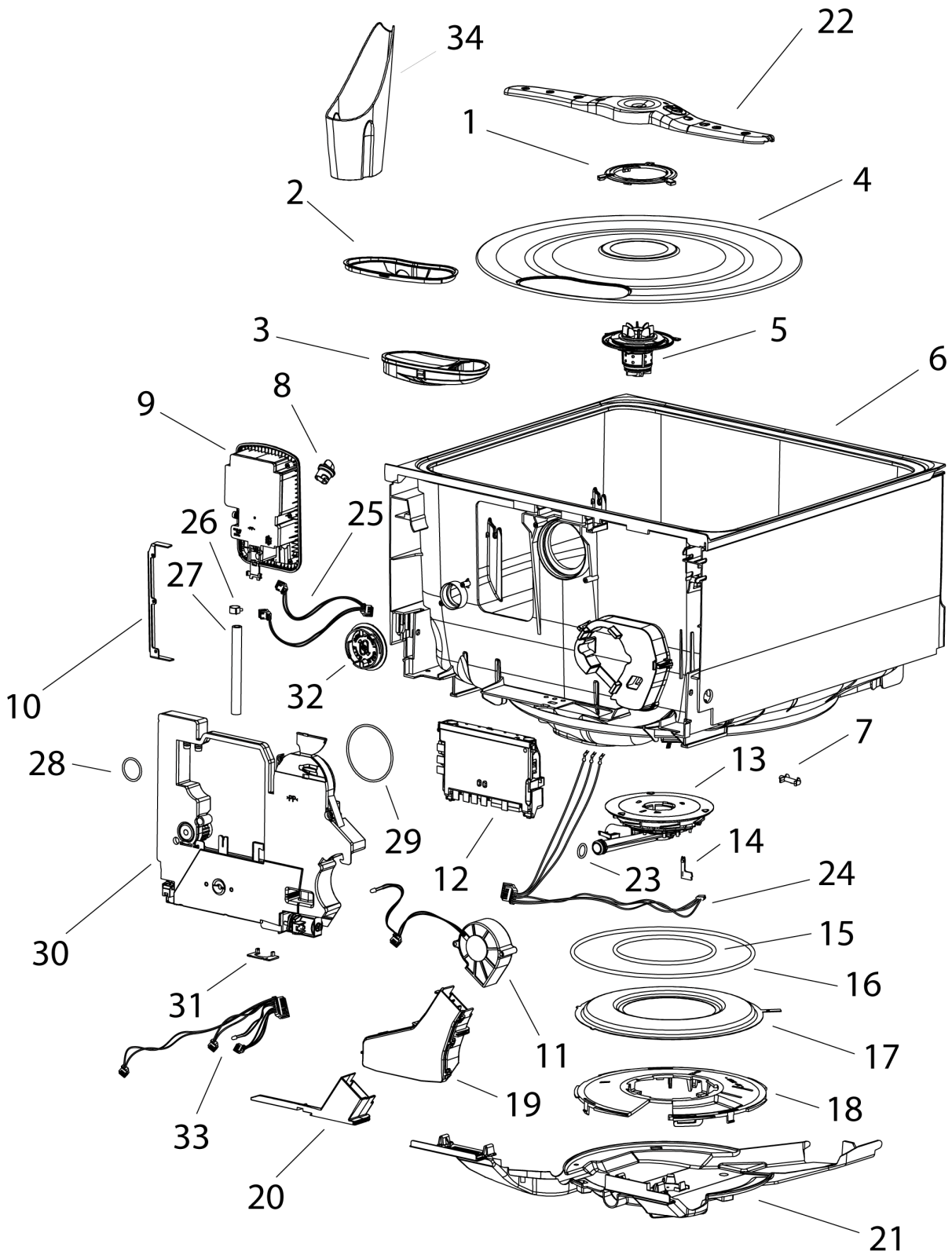
TUBS & COMPONENTS



TUBS & COMPONENTS

REF	PART	DESCRIPTION	MODEL
1	526069	LOCK NUT FILTER PLATE	
2	527105	DRAIN FILTER TRIM	
3	527005	DRAIN FILTER ASSY WS	
	527083	DRAIN FILTER ASSY (WIRE MESH) GB, EU, DK	
4	527018	FILTER PLATE ASSY WS	
		<i>527105 DRAIN FILTER TRIM</i>	
		<i>526069 LOCK NUT FILTER PLATE</i>	
5	525884	MOTOR ROTOR ASSY	
6	525969	TUB W/ASSY PH3 WHITE QFP TEXT	
	527150	TUB W/ASSY PH3 F& P SYMBOLS GB	
	526798	TUB W/ASSY PH3 W/SOFT F&P TEXT, US	H
	527023	TUB W/ASSY PH3 W/SOFT SYMBOLS WP	H
	527047	TUB W/ASSY PH3 W/SOFT SYMBOLS BA	H
	527148	TUB W/ASSY PH3 W/SOFT FP SYMBL GB, EU, DK	H
	527085	KIT TUB REPLACEMENT AU	
		<i>525969 TUB W/ASSY PH3 QFP TEXT</i>	
		<i>526530 MOTOR ASSY</i>	
		<i>525059 SEAL MOTOR HOUSING</i>	
		<i>525058 SEAL HEATER PLATE</i>	
		<i>526443 HEATER PLATE</i>	
		<i>525162 LOCKING NUT</i>	
		<i>525940 O RING CUFF SOCKET UL REC</i>	
7	526623	LIGHT TRANSFER TUBE	
8	525610	DISPENSER RINSE AID BUNG ASSY	
9	526860	KIT DISPENSER	
		<i>526789 BRACKET DISPENSER SHORT X2</i>	
10	526789	BRACKET DISPENSER SHORT	
11	526752	HARNESS & FAN ASSY	
12	526842NAP	CONTROLLER 525 PH3 NZ/AU	
	526842HNAP	CONTROLLER 525 PH3.5 NZ/AU	
	526842USP	CONTROLLER 525 PH3 US	
	526842HUSP	CONTROLLER 525 PH3.5 US	
	526842JAP	CONTROLLER 525 PH3 JA	
	526842HJAP	CONTROLLER 525 PH3.5 JA	
	526842EUP	CONTROLLER 525 PH3 EU / GB	
	526842HEUP	CONTROLLER 525 PH3.5 EU / GB	

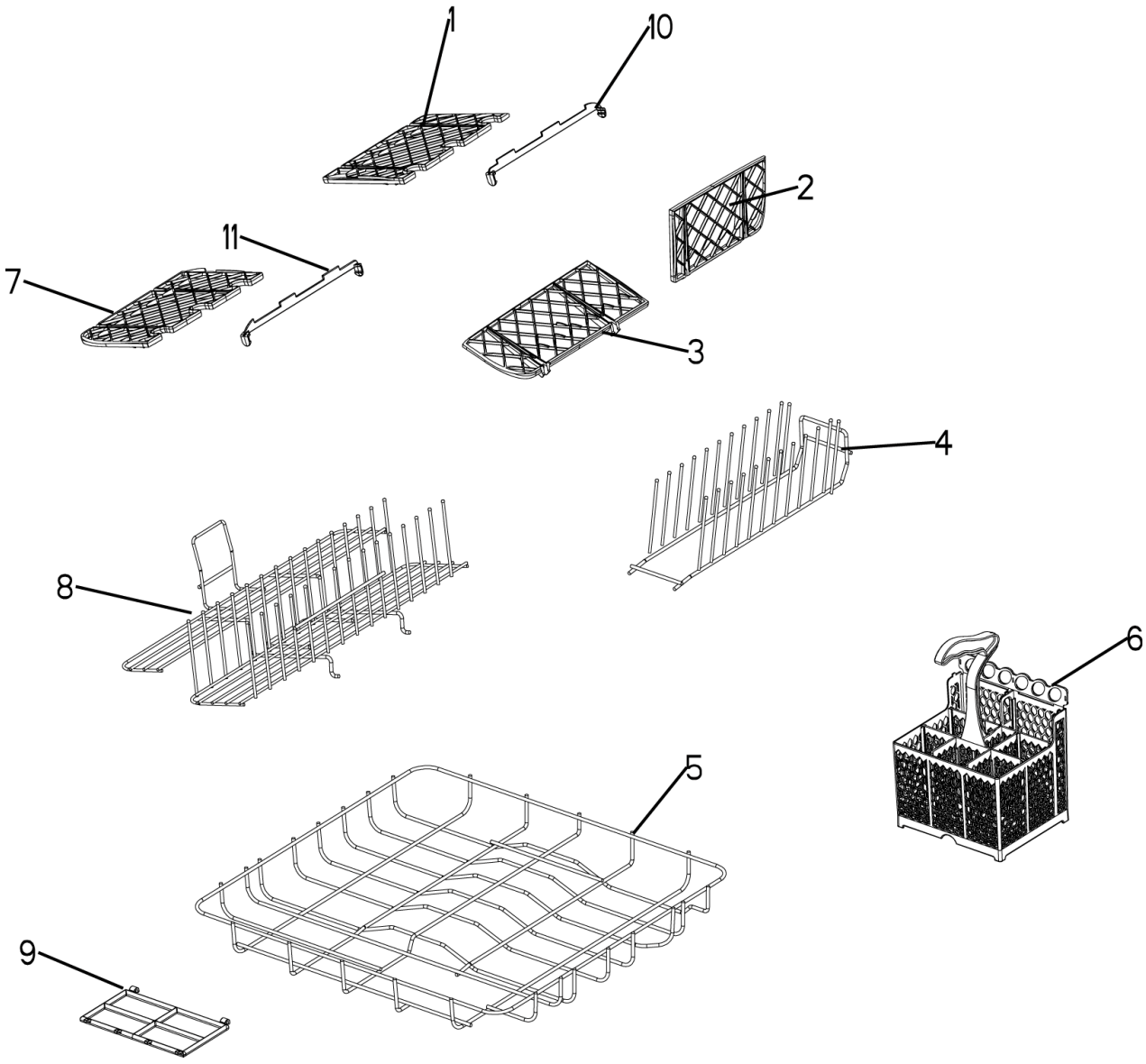
TUBS & COMPONENTS



TUBS & COMPONENTS

REF	PART	DESCRIPTION	MODEL
13	526530	MOTOR ASSY COMP PH3	
14	526340P	HALL SENSOR 525 P3	
15	525059	SEAL MOTOR HOUSING	
16	525058	SEAL HEATER PLATE/TUB	
17	526443	HEATER PLATE ASSY PH3	
	526444	HEATER PLATE ASSY PH3 US	
	526820	HEATER PLATE ASSY PH3 JA	
18	525162	LOCKING NUT	
19	526278	DUCT TOP ASSY PH3	
20	526279	DUCT BOTTOM PH3	D
21	525956	COVER WIRING PH3	
22	525014	SPRAY ARM ASSY	
	527114	SPRAY ARM ASSY SLUICING GB, EU, DK	
23	525940P	O RING CUFF SOCKET UL REC PKT4	
24	526751	HARNESS MOTOR	
25	526263	HARNESS DISPENSER PH3	
26	525743	CLAMP HOSE TYPE 12232-17-4	
27	526412	HOSE FILL SOFTENER	H
28	526718	O RING OVERFLOW SOFTENER	H
29	526717	O RING SALT TANK	H
30	527084	KIT WATER SOFTENER ASSY (SP)	H
		<i>526718 O RING OVERFLOW SOFTENER</i>	H
		<i>526717 O RING SALT TANK</i>	H
		<i>526713 BUNG SOFTENER ASSY</i>	H
		<i>527102P SALT SENSE SMD 525 PH3.5</i>	H
		<i>556600 SCREW M3.5X14 4 OFF</i>	H
31	527102P	SALT SENSE SMD 525 PH3.5	H
32	526713	BUNG SOFTENER ASSY	H
33	526840	HARNESS WATER SOFTENER	H
34	526835	CONTAINER SALT FILLING	H
NI	556600	SCREW M3.5X14 PANTX WN1412KL35	

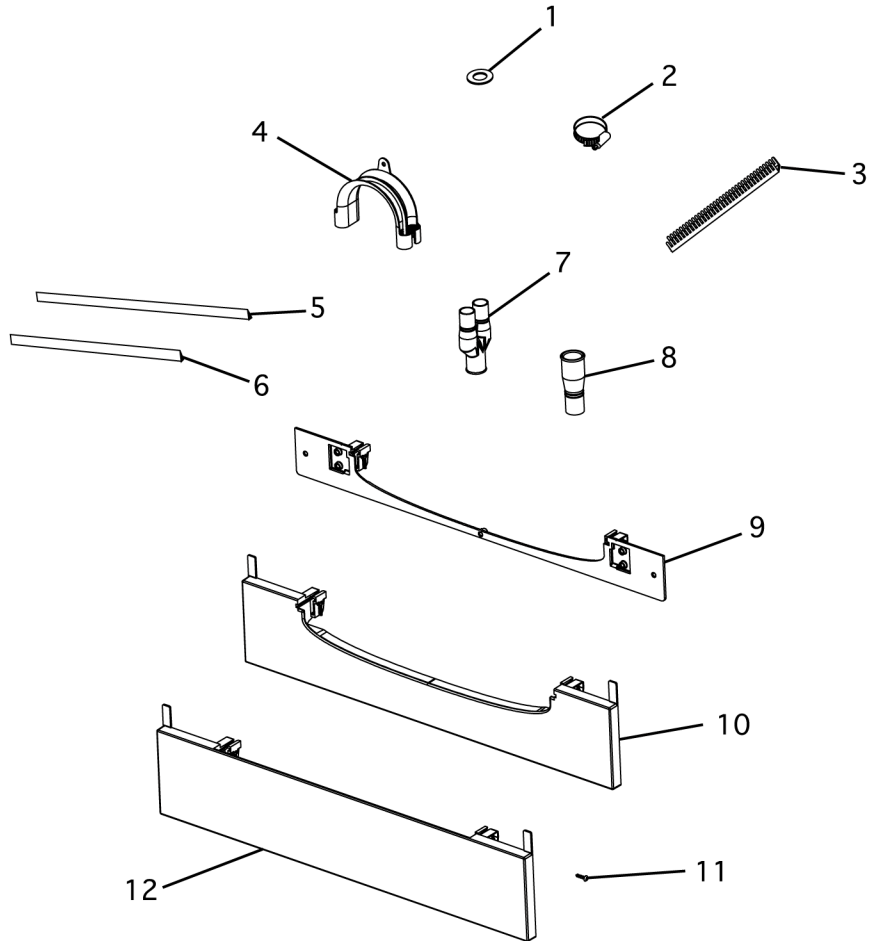
BASKETS & RACKS



BASKETS & RACKS

REF	PART	DESCRIPTION	MODEL
1	526374	CUP RACK BACK LEFT	
2	526377	CUP RACK BACK RIGHT	
3	526376	CUP RACK FRONT RIGHT	
4	525769	INSERT CROCKERY SILVER	
	526811	INSERT CROCKERY SILVER JA	
	526726	INSERT CROCKERY GB SILVER	
	525581	INSERT CROCKERY 12 INCH SILVER	
5	526062	BASKET SILVER	
6	525489	CUTLERY CONTAINER ASSY	
7	526375	CUP RACK FRONT LEFT	
8	526346	UNI INSERT SILVER	
	527065	UNI INSERT EURO SILVER	
9	526345	TRAP DOOR DRAIN FILTER ACCESS	
10	527058	SUPPORT CUP REAR GB, WP, BA, EU	
11	527069	SUPPORT CUP FRONT GB, WP, BA, EU	
NI	526815	UNI INSERT SILVER JA	

INSTALLATION COMPONENTS



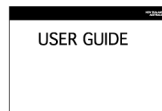
13



14



15

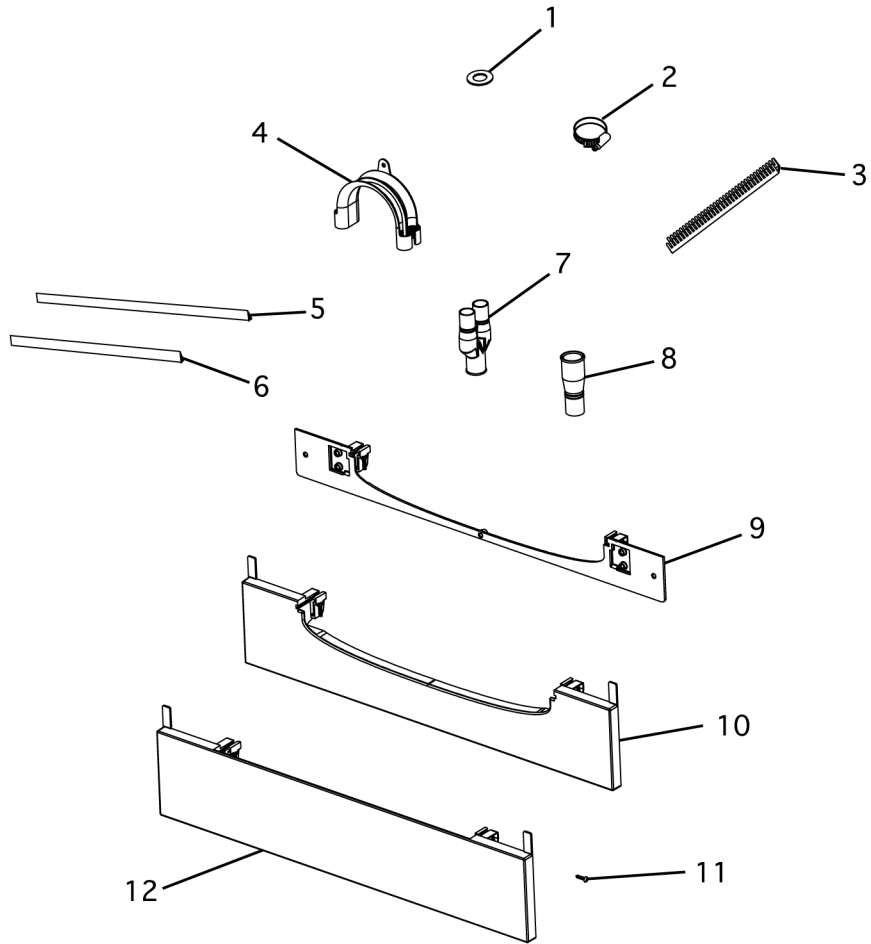


16

INSTALLATION COMPONENTS

REF	PART	DESCRIPTION	MODEL
1	525938	WASHER WIRSBO US	
2	525953	CLAMP HOSE DIA 32-20	
3	525935	EDGE 160MM 22PKG020 UHMWPE US	
4	525477F	SUPPORT DRAIN HOSE	
5	526771	TRIM CAVITY SIDE DBL CHARCL US (Only available as part of 526676 Kit Install Double/Single US)	D
	526772	TRIM CAVITY SIDE SGL CHARCL US (only available as part of 526676 Kit Install Double/Single US)	S
6	526773	TRIM CAVITY TOP CHARCL US (only available as part of 526676 Kit Install Double/Single US)	
7	525067	DRAIN SPIGOT CONNECTOR DOUBLE	D
	525925	DRAIN SPIGOT CONNECTOR DBL US	D
8	525460	DRAIN SPIGOT CONNECTOR SINGLE	S
	525926	DRAIN SPIGOT CONNECTOR SGL US JA	S
9	526682	KIT KICKSTRIP INTEGRATED	DI
10	526678	KICKSTRIP WHITE US KIT	D
	526679	KICKSTRIP BLACK US KIT	D
	527109	KIT KICKSTRIP SILVER US	DM
11	556089P	SCREW WS 8X5/8TWINFST PKT10	
12	526680	KIT KICKSTRIP WHITE	D
	526681	KIT KICKSTRIP BLACK	D
	527108	KIT KICKSTRIP SILVER	DM
13	526608	INTEGRATED INST DD603I US	I
	526610	CARD INTEGRATED PANEL PREP NZ	I
	527042	CARD INTEGRATED PANEL PREP WP	I
	527053	CARD INTEGRATED PANEL PREP BA	I
	527077	CARD INTEGRATED PANEL PREP EU	I

INSTALLATION COMPONENTS



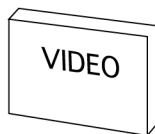
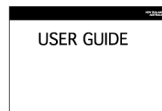
13



14



15

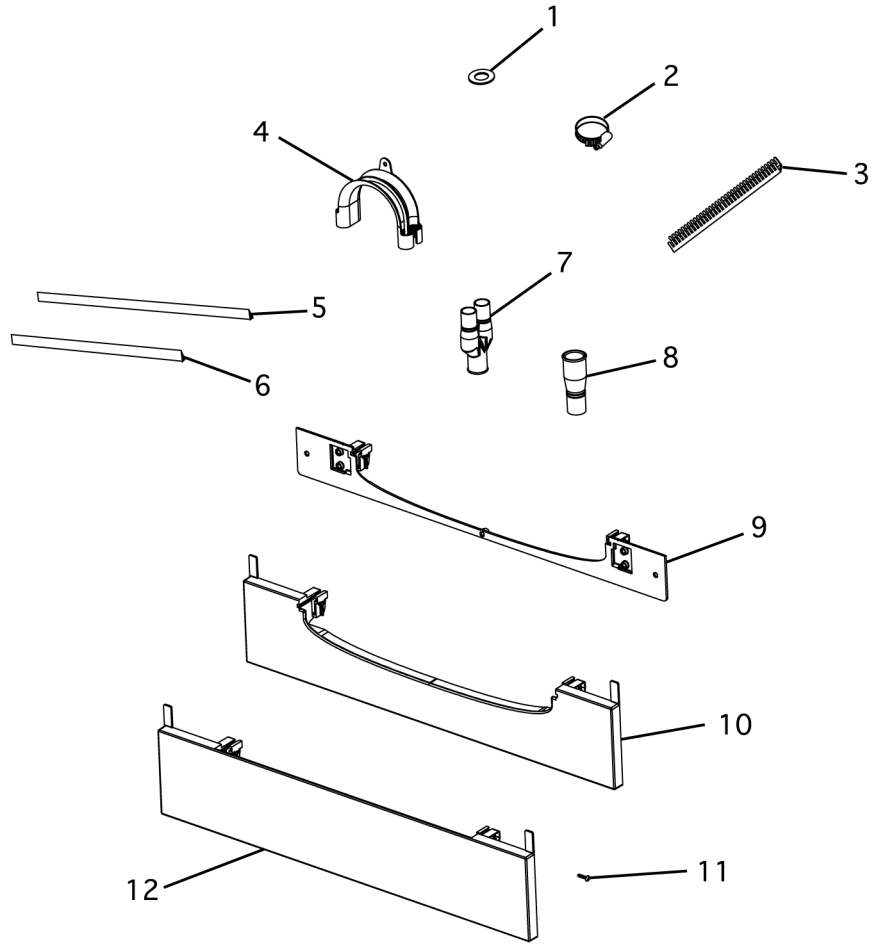


16

INSTALLATION COMPONENTS

REF	PART	DESCRIPTION	MODEL
14	526609	CARD INSTAL INSTR PH3 NZ AU	
	526607	CARD INSTAL INSTR DD603 US	
	526948	CARD INSTAL INSTR PH3 JA	
	527076	CARD INSTAL INSTRU PH3 EU	
15	526624	BOOK USER GUIDE NZ/AU/GB	
	526625	USER GUIDE US	
	526947	BOOK USER GUIDE JA	
	527030	BOOK USER GUIDE/INSTALL INS WP	
	527051	BOOK USER GUIDE/INSTALL INS BA	
	526985	BOOK USER GUIDE PH3.5 US	
	526984	BOOK USER GUIDE PH3.5 NZ/AU	
	526986	BOOK USER GUIDE PH3.5 GB	
	527142	BOOK USER GUIDE PH3.5 JA	
	527072	BOOK USER GUIDE EU, DK	
16	526534	VIDEO USE & CARE DD603	
	526573	VIDEO USE & CARE DD603 US	
	526938	VIDEO USE & CARE DD603 JA	
NI	525482	CLIP WIRE DRAIN	
NI	526676	KIT INSTALL DOUBLE/SINGLE US	
	<i>525 477F</i>	<i>SUPPORT DRAIN HOSE</i>	
	<i>525482</i>	<i>CLIP WIRE DRAIN</i>	
	<i>525925</i>	<i>DRAIN SPIGOT CONNECTOR DBL US</i>	
	<i>525926</i>	<i>DRAIN SPIGOT CONNECTOR SGL US</i>	
	<i>525938</i>	<i>WASHER WIRSBO US</i>	
	<i>525953</i>	<i>CLAMP HOSE DIA 32-20</i>	
	<i>556089P</i>	<i>SCREW WS 8X5/8 TWIN FAST PKT 10</i>	
	<i>525935</i>	<i>EDGE 160MM 22 PKG020 UHMWPE US</i>	
	<i>526797</i>	<i>TAB TOP x2</i>	
NI	526675	KIT INTEGRATED INSTALL	I
	<i>526610</i>	<i>CARD INTEGRATED PANEL PREP NZ</i>	
	<i>556089P</i>	<i>SCREW WS 8X5/8 TWINSFST MTSPH ZP</i>	
NI	526674	INTEGRATED INSTALL KIT USA (INS)	I
	<i>526608</i>	<i>CARD INTEGRATED PANEL PREP US</i>	
	<i>556089P</i>	<i>SCREW WS 5X5/8 TWIN FST MTSPH ZP</i>	

INSTALLATION COMPONENTS



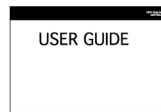
13



14



15



16

INSTALLATION COMPONENTS

REF	PART	DESCRIPTION	MODEL
NI	526677	KIT INSTALL DOUBLE/SINGLE	
		<i>525460 DRAIN SPIGOT CONNECTOR SINGLE</i>	
		<i>525477 SUPPORT DRAIN HOSE</i>	
		<i>525067 DRAIN SPIGOT CONNECTOR DOUBLE</i>	
		<i>525482 CLIP WIRE DRAIN</i>	
		<i>556089P SCREW WS 8X5/8 TWINFST MTSPH ZP</i>	
		<i>526797 TAB TOP x2</i>	
NI	526950	CARD SERVICE LIST JA	
NI	526956	ACPAC INSTAL DOUBLE DD603 JA	
	526958	ACPAC INSTAL SINGLE DS603 JA	
NI	526945	SHEET INSTAL WARNING JA	
NI	527031	FOLDER USE & CARE WP	
	527052	FOLDER USE & CARE BA	