

 **Electrolux**

**Modular Rack Type Dishwasher**





The new range of Modular Rack Type dishwashers from Electrolux combines the highest level of washing and rinsing performance with outstanding solidity, ideal for heavy usage installations such as hotels restaurants, large canteens, in-flight catering and hospitals.

#### Washing Performance

- New Ideal Wash System (**IWS**) to optimise results
- Duo wash configuration of wash pumps
- Maximum Water Contact (**MWC**) wash arms

#### Washware sanitisation

- Atmospheric rinse independent of incoming water pressure
- High temperature duo rinse

#### Machine cleanability

- Self-draining wash pumps
- **Pressed** pre-wash, wash & rinse tanks
- All-round access inspection doors on every module

#### Sturdiness

- Solid stainless steel under-frame
- Foam injection insulated doors
- All stainless steel components
- IPX 5 water protection

#### Cost savings

- Continuous washing without needing to drain detergent laden water saves **30%** of water
- Duo rinse saves **50%** water consumption
- Separate pre-wash zone without the need for high volumes of cooling water
- Up to **75%** detergent saving

#### Ergonomics

- Foam injected doors
- Low temperature drying
- Large door handles



New Ideal Wash



Pressed tank



Pressed ceiling

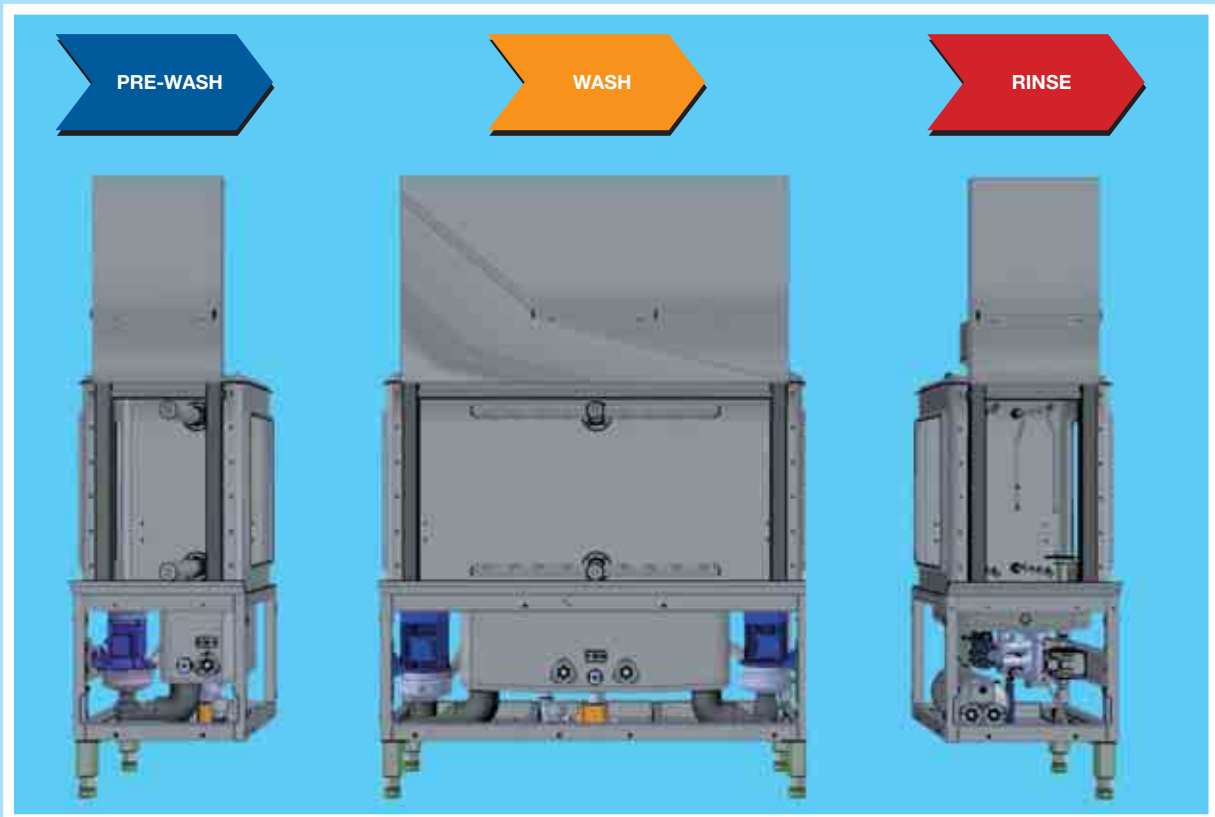


Duo rinse system



Ergonomics

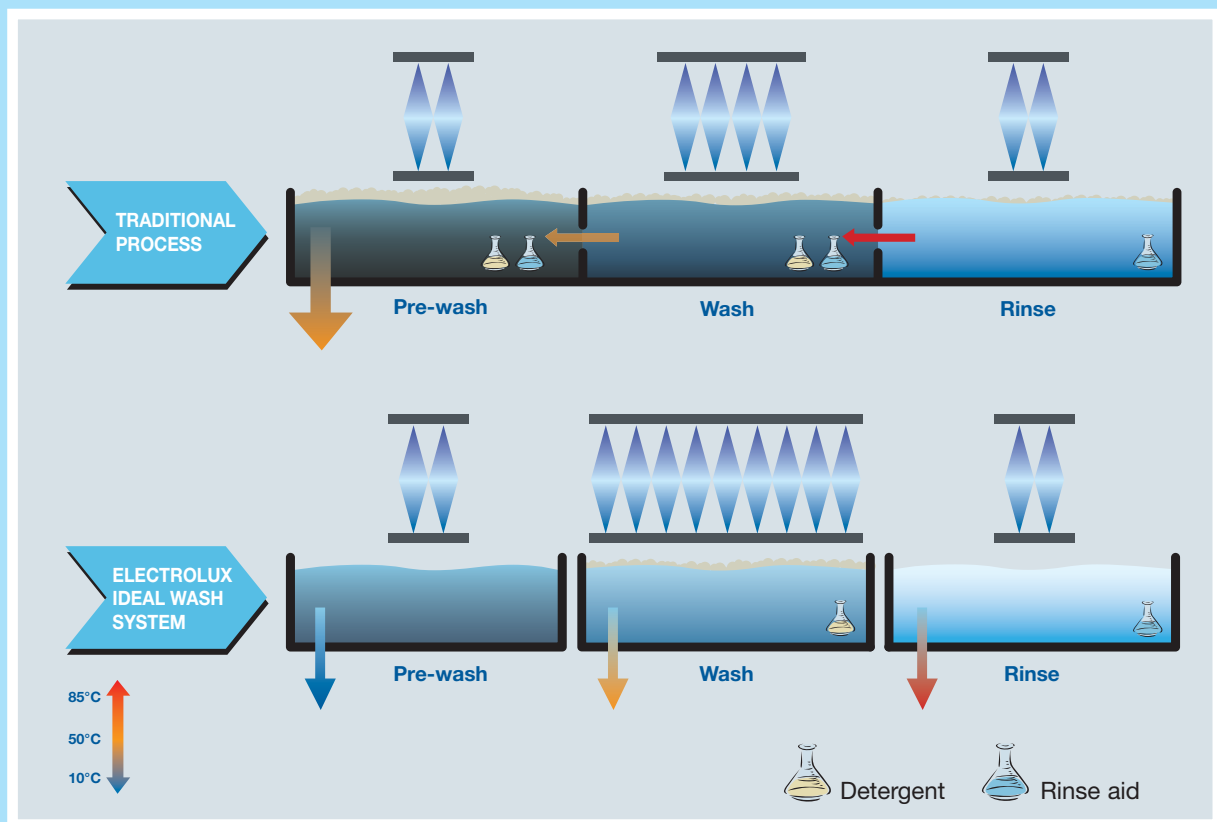
# Washing performance



The **Ideal Wash System (IWS)** is designed to wash every item perfectly the **first time** - 24 hours per day, 7 days a week. The pre-wash zone typically contains the dirtiest water in the dishwasher and provides the base for perfect washing.

**Unlike traditional systems**, the **Electrolux pre-wash** is **completely detached** from the detergent laden heated wash zone water and uses only fresh cold water to prevent protein based food stuffs sticking to the plates.

The wash zone is also physically separated from the rinse zone, (that in a traditional system is carried over from rinse area) so the wash tank is free of rinse aid that typically weakens the washing power of the detergent; resulting in excessive detergent consumption.

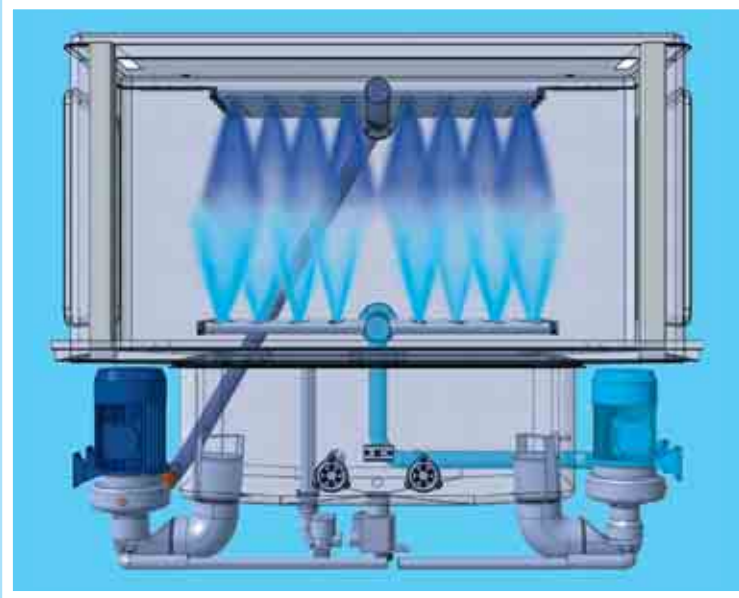


Even during long washing periods lasting several hours, where traditional dishwashers need to be completely drained and re-filled at some stage, the **IWS continues washing** with only a **minimal quantity** of water being consumed.

Each machine has **two pre-set speeds** - slow for more baked on dirt, fast for lighter soiling; **both speeds** can be fine tuned on-site via the electronic control panel to suit customer needs.

When the pre-wash or wash water becomes too dirty to wash effectively, a part of the dirty wash water is automatically drained and replenished without stopping the dishwasher enabling continuous-all day washing. Drainage quantities and frequencies are all variable via the electronic control panel in order to maximize washing performance with minimum water consumption.





On 150 litre modules, the **duo wash** pump configuration features one 2,2kW pump supplying the upper wash arms, another 1,1kW pump supplying the lower wash arms, concentrating as much high powered wash water as possible - ideal for dried on foods or where large number of containers or utensils are washed.



In order to wash in the shortest possible space, the Maximum Water Contact (**MWC**) wash arms are **positioned along the full length** of the wash tank. Thus doubling the amount of wash water contact time in comparison to traditional wash arm configurations. Just because a basket is in the wash zone for 2 minutes, it doesn't mean it is being washed in water for 2 minutes.

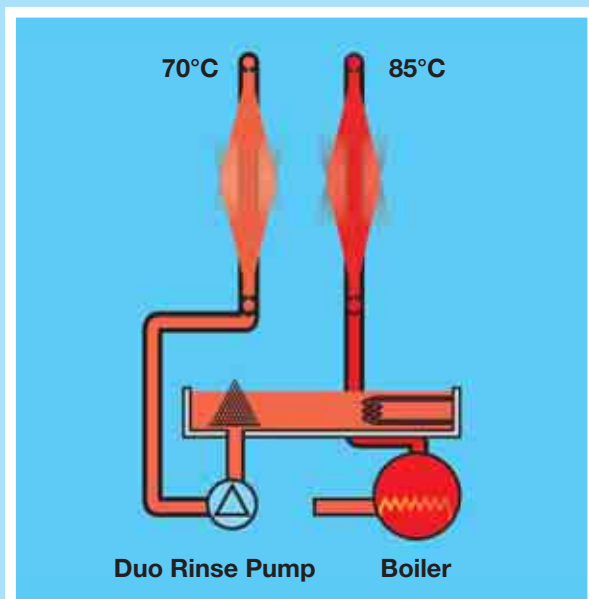


**Duo filter system** minimises food debris entering the wash water system, reducing the need to regenerate water. The curtain system prevents water splash over from tank to tank.





# Washware sanitisation

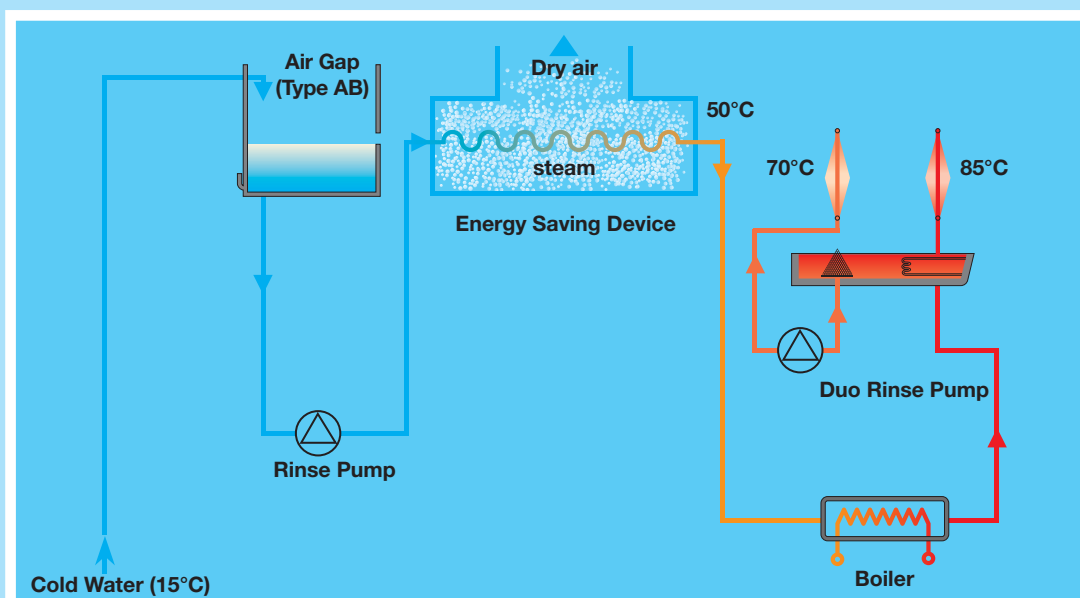


The **atmospheric duo rinse system** with built-in air gap is the benchmark for rinsing. Hot water at a **constant temperature** in any conditions provides the peace of mind that every washed item will be **detergent free** and **sanitised**.

The tried and tested two stage rinse system, the duo rinse, ensures complete **detergent removal with minimum water consumption** - hot rinse even from the 2<sup>nd</sup> rinse created by additional 3kW electrical elements in the duo rinse tank.

The **Energy Saving Device** is able to pre-heat incoming cold water, saving up to 12kW in energy as well as condensing the steam in the kitchen.

Duo Rinse system



Atmospheric Duo Rinse shown with Energy Saving Device

# Sturdiness

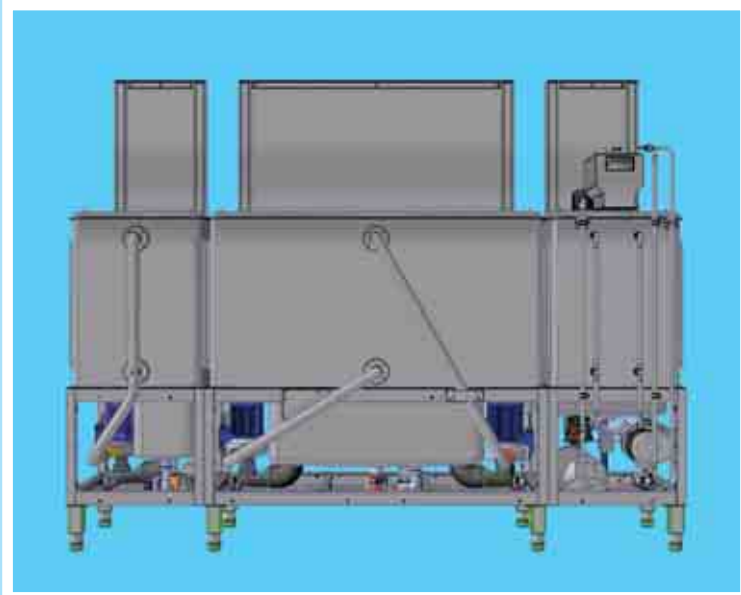


The Electrolux RT dishwasher is designed to be the work-horse of the kitchen, able to work continuously under heavy conditions.

**Foam insulated** counter-balanced doors add strength in arduous conditions.



The **solid 3mm thick stainless steel box sub-frame** provides long term sturdiness with bolt-together construction that can be split on-site for increased site accessibility.



**All main components** made in heavy duty anti-corrosive **304 AISI stainless steel**: all tanks, panels, wash & rinse arms and end caps, doors, front, rear and side-panels, feeding system fingers, basket runners and rear tubing.

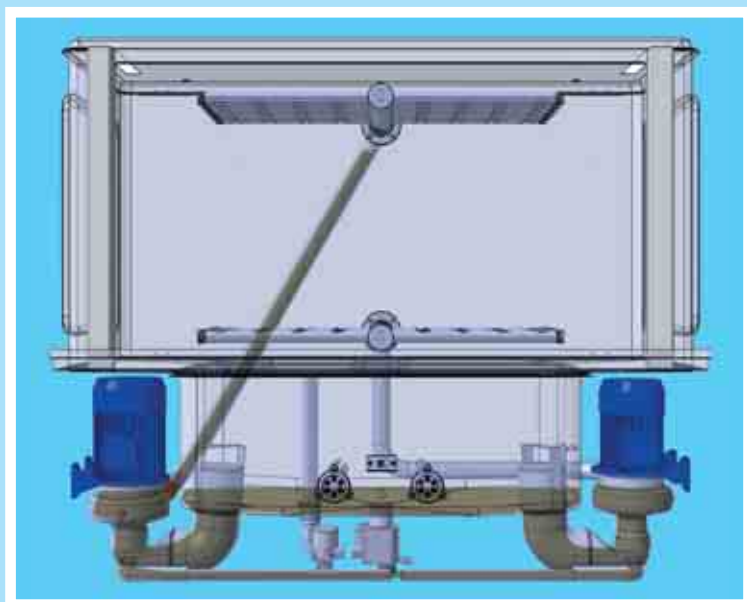


**Stainless steel wash pumps** ideal for heavy duty usage installations or where water supply is not constant.

**Brass inlet valves** are standard for extra reliability at high incoming water temperatures. **IPX5** water protection for easy hosing down of the machine exterior.

All **elements** in **Incoloy 800**, protected against all detergents.

# Machine cleanability



The Electrolux Modular Rack Type dishwashers have been engineered to be fully and quickly cleaned both internally and externally.

**Self-draining wash pumps** provide maximum hygiene with no smells.



**Hinged flap**, for easy access to the energy saving condenser unit, housed on extractable runners to aid cleaning.



**Large balanced inspection doors** for easy access to wash and rinse area.



**Pressed tanks** in the pre-wash, wash and rinse zones, sloped towards drain to prevent dirt build up.



Removable washing arms and **end-caps** in **stainless steel**.



**Washing chamber** without internal pipes.



# Ergonomics



**Foam injection insulated doors** to reduce noise and cool uncomfortably hot surfaces (less than 60°C.) Counter balanced door with springs open with minimum operator effort and incorporate a safety device to block the door during cleaning. **Door handles** designed to be accessed from any position.



Quick pull-out stainless steel **filters**. Easily removable “click-in / click-out” **wash arms**.



The **drying zone** removes every trace of water from the crockery via a high powered fan, that sucks dry air from outside with minimum temperature loss and steam escape.



 **Electrolux**  
**Dishwashing**  
**System**  
Welcome in the New Rack Type





# Electronic control panel

Touch button electronics provide notable benefits, whether for the operator, the owner or the engineer and also the user: in order to avoid time-loss for the operator, the electronic control audibly and visually signals on the display, messages such as:

**Door open** - close the door / **Warm up** / **Clean** - cleaning cycle being performed / **Drain** / **Wash** / **Time-to-heat-up** message from start up.

Pre-arranged for **HACCP** monitoring equipment such as computers, printers and modem for remote control.

Optional measuring of water, detergent and energy consumption.

The following information can be selected and displayed in the window:

## Stand by mode

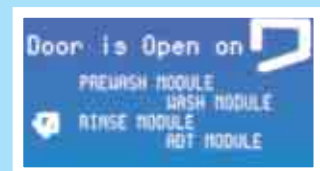
Actual and set temperature values  
Flow limit settings  
Todays washing statistics  
Todays washing alarms  
Time left to service  
HACCP function

## Washing mode

Washing efficiency  
Current alarms  
Actual & set temperature values  
Flow/speed/electrical actual power values (if meters are installed)  
Todays washing statistics  
Todays washing current alarms

## Setup mode

The following fields can be set:  
For the user  
Date and time  
Language  
For the technician  
Model and serial number, electricity supply, maximum absorbed power and production year  
Temperatures  
Service timer  
HACCP protocols  
Water flows (option)





# Cost savings

## Water consumption



Traditional System

up to 30% saving



Electrolux System

The unique wash and rinse system minimises water, energy and chemical usage to reduce overall running costs.

The **IWS** avoids the need to completely drain all the wash tanks when the water becomes too dirty to wash. A part of the dirty water, typically 15 litres/hr, is drained away and topped up with clean water on a predefined basis (variable onsite) so the dishwasher can operate all day. Water saving is **up to 30%**.

## Detergent consumption



Traditional System

up to 75% saving



Electrolux System

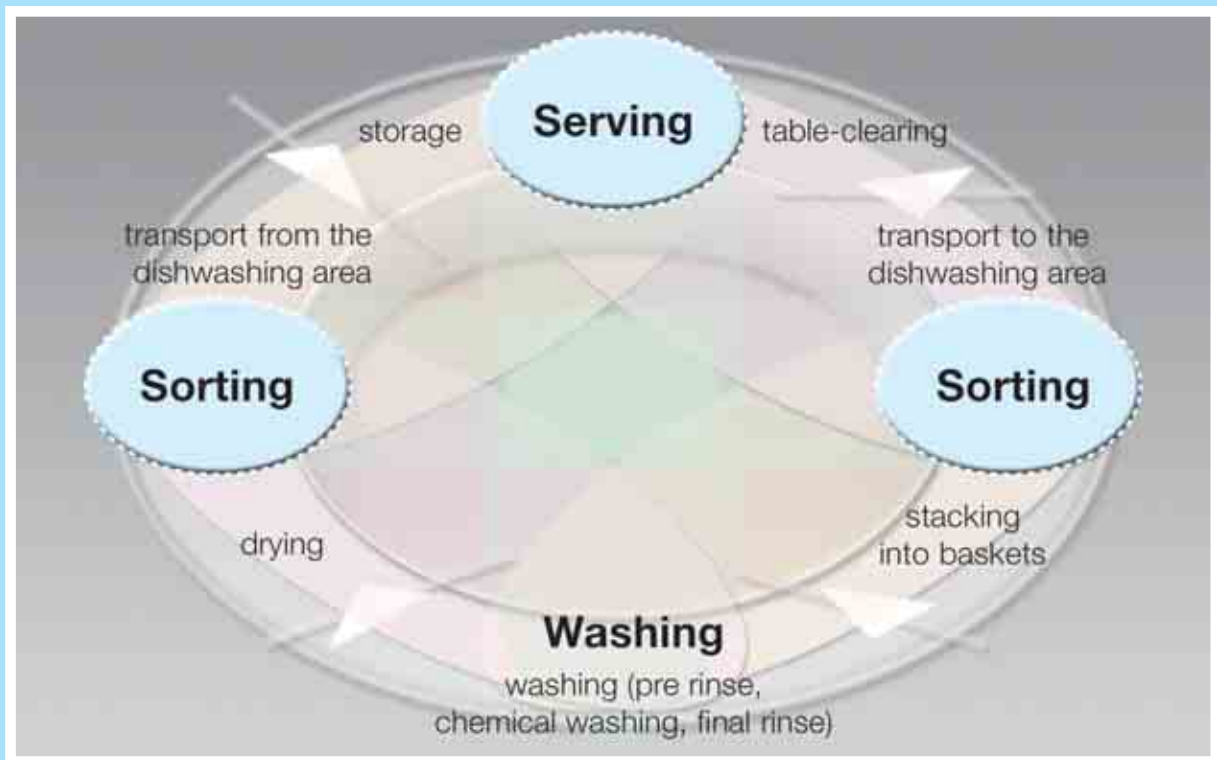
The separate pre-wash zone does not use heated water and therefore requires no additional water for cooling.

Autostart ensures no water and energy consumption during periods when dishwasher is on stand-by. The boiler is insulated to avoid further heat loss.

The **Energy Saving Device** incorporates a large condenser unit able to pre-heat incoming cold water to 50°C, saving **up to 12kW** as well as avoiding the need for a dedicated ventilation hood.

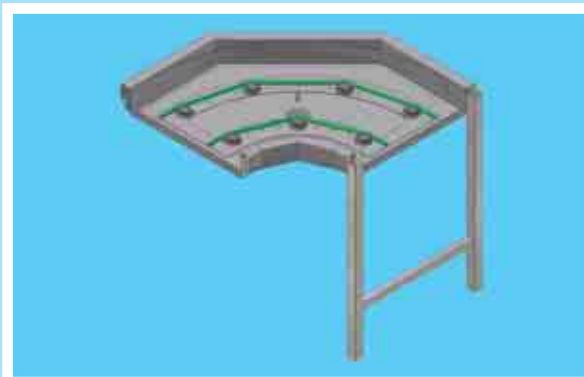
# Handling systems

The Electrolux Modular Rack type dishwasher is the centre of a fully integrated rack loading system aimed at maximising efficiency in terms of capacity as well as minimising crockery breakage. Strength guaranteed by all stainless steel construction, ease of cleaning by rounded corner construction, comfortable ergonomic operation by correctly dimensioned functions, the system is ideal for installations up to 3,000 plates per hour.





Full system shown with **automatic stacking table**, 180° curve and roller conveyor.



**Cord conveyor** for maximum hygiene.



**180° curve-rounded corners** and all working components hidden underneath to aid cleaning.

# Product Range



## WTM Rack Type Product Range

Model	Type	Total length	Capacity Baskets/hour
<b>WTM140</b>	100litre wash & rinse	1773mm	from 80 to 140



<b>WTM165</b>	150litre wash & rinse	2100mm	from 90 to 165
---------------	-----------------------	--------	----------------



<b>WTM180</b>	50litre pre-wash & 100litre wash & rinse	2573 mm	from 110 to 180
---------------	------------------------------------------	---------	-----------------



<b>WTM200</b>	50litre pre-wash & 150litre wash & rinse	2900mm	from 130 to 200
---------------	------------------------------------------	--------	-----------------



<b>WTM250</b>	100litre pre-wash & 150litre wash & rinse	3270mm	from 160 to 250
---------------	-------------------------------------------	--------	-----------------



<b>WTM300</b>	150litre pre-wash & 150litre wash & rinse	3600mm	from 180 to 300
---------------	-------------------------------------------	--------	-----------------

All versions available either with or without energy saving device, electric or steam heated.



