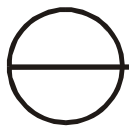
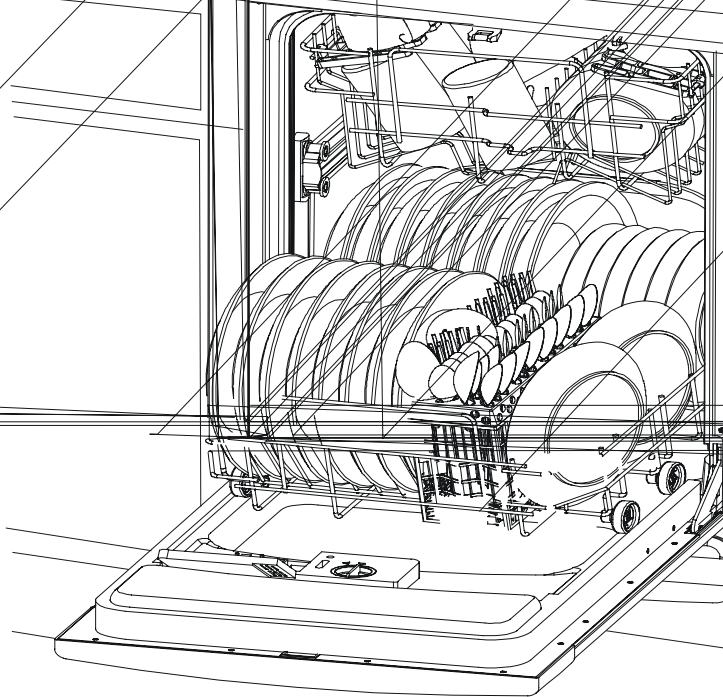


Dishwashers



EQUATOR[®]
ADVANCED Appliances ≡

Owner's Manual



Model SB 924 & WB 924

SAVE THESE INSTRUCTIONS

Dishwasher Features	1
Safety Information	2

Operating Instructions

Control Panel	3
Turning On the Appliance.	4
Dishwasher Features	4
Wash Cycle Table	5
Detergent.	6
Rinse Aid.	6
Loading the Dishwasher Rack.	7
Silverware Basket	8
Filtering System.	8

User–Maintenance Instructions

Care and Cleaning.	9
Troubleshooting Tips	10, 11



Dishwasher Features

The electric dishwasher of this model, based on the philosophy of technology is based on human being, besides the common characteristics of other household dishwashers, it has its own specialties:



Remaining time indication

The length of time the programme has left to run will be clearly displayed in the text window, leaving you in no doubt as to when the programme will end and you can go out.

Overflow protection

Your dishwasher has an overflow protection program which could automatically shut off the inlet valve and start the drain pump if the water Overflow.



Intelligent Control System

The intelligent control system could be adaptive to different conditions, such as temperature and voltage, then correct the remaining time automatically.

Memory Function

The memory function could automatically set the frequently used program as current program, it make operation much more easier.



Time Delay Feature

This allows the start of the programme to be delay between 1 and 9.5 hours, enabling you to benefit fully from cheaper electricity! Or just to benefit from the convenience of the programming finishing when you want to.

Error Alarm

Fault codes display would inform the user of abnormal status of the machine.



Stainless Steel Tub

You need not worry about stain of tub.

Adjustable Upper Basket

Even if the dishware are abnormality, you can load them by adjust the upper basket.



Rinse Aid Warning Indicator

If the rinse aid are running low, there will be clearly displayed on the panel alerting you to top them up, to ensure that the machine continues to operate at optimum performance.

12 Place Settings

Be sufficient for normal use.

7 Wash Programs

You can choose desired program according to the soiled level. Such as, intensive wash, normal wash, economy, rinse, glass, rapid and pre-wash etc, then you can change temperature of wash.

Do not abuse, sit on, or stand on the door or dish rack of the dishwasher.

Do not touch the heating element during or immediately after use.

Do not wash plastic items unless they are marked dishwasher safe or the equivalent. For plastic items not so marked, check the manufacturer's recommendations.

Use only detergent and rinse additives designed for an automatic dishwasher. Never use soap, laundry detergent, or hand washing detergent in your dishwasher. Keep these products out of children.

Keep child away from detergent and rinse aid, keep there could still be some detergent left inside.

The door should not be left in the open position since this could present a tripping hazard.

During installation, the power supply must not be excessively or dangerously bent or flattened.

To reduce the risk of injury, do not allow children to play in or on a dishwasher.

Do not operate your dishwasher unless all enclosure panels are properly in place. Open the door very carefully if the dishwasher is operating, there is a risk of water squirting out.

Do not place any heavy objects or stand on the door when it is open. The appliance could tip forward.

When loading items to be washed:

- 1) Locate sharp items so that they are not likely to damage the door seal;
- 2) Load sharp knives with the handles up to reduce the risk of cut-type injuries.

When using your dishwasher, you should prevent plastic item from contacting with heating element.

If the supply cord is damaged, it must be replaced by the manufacturer or its service agent or a similarly qualified person in order to avoid a hazard.

Please dispose of packing materials properly.

Use the dishwasher only for its intended function.

Remove the door to the washing compartment when removing an old dishwasher from service or discarding it.

Do not tamper with controls.

OPERATING INSTRUCTIONS

IMPORTANT!

To get the best performance from your dishwasher, read all operating instructions before using it for the first time.

Control Panel

TIME

TEMPERATURE

▲ WARNING!

It is dangerous to open the door when washing, maybe burned by hot water.

SPECIFICATION OF DISPLAY



State Information: the 1st sign means the display is remain time of washing, the 2nd sign means the display is...

8:00



With a little force to ensure the door is properly closed.

NOTE: A click could be heard when the door is closed perfectly.

Press the POWER button

According to the soil level to choose the program by pressing (or turning around) the program selection button (or knob).

Press the Start/Pause button to start the washing.

When the washing is over, you can shut off the switch

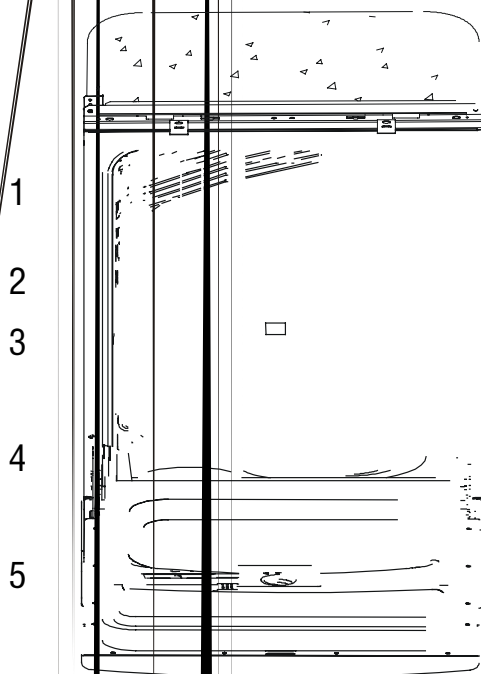
When the dishwasher is running, you want to change the using programme, you should do according the following step.

- 1 Shut off the power, then turn on the power.
- 2 Turn round the programme knob to select the desired programme.
- 3 Press the Start button to start washing.



NOTE: If you open the door when washing, the machine will delay start for several seconds, which will make the dishwasher work much better.

Dishwasher Features

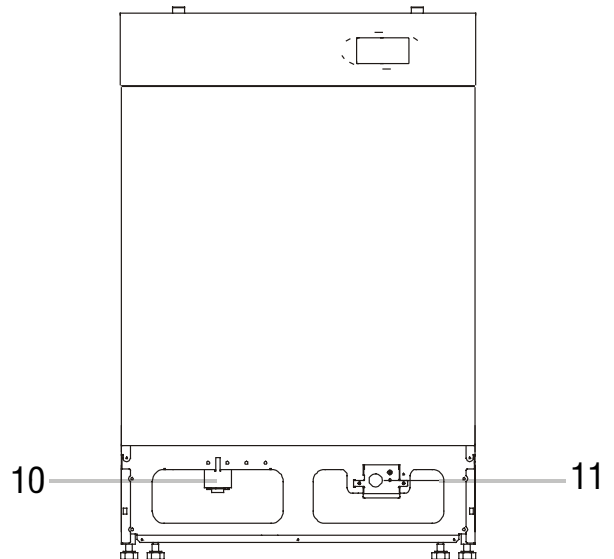


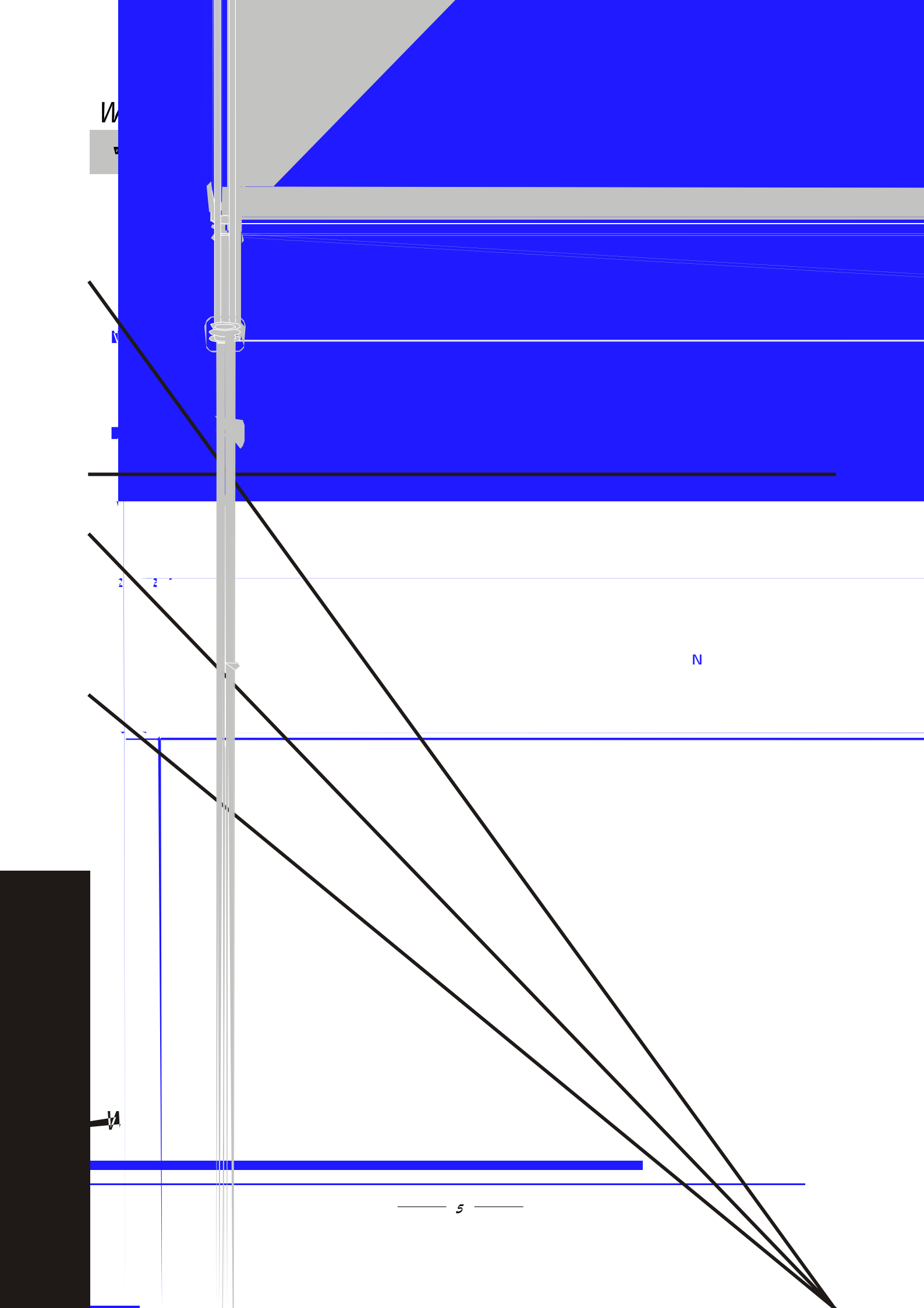
6

7

8

9

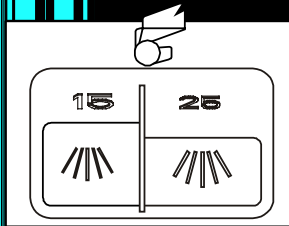




DETERGENT DISPENSER

HIGHLY DESIGNED TO

prevent the dishwasher from getting a pad will not do properly.



When the wash cycle is over, the dispenser will pop back.

Filling the Dispenser

The rinse agent dispenser holds 3.5 oz. of rinse agent. Under normal conditions, this will last approximately one month. Try to keep it full, but do not overfill.

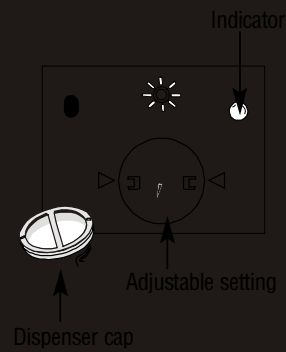
- Make sure the dishwasher door is fully open.
- Turn the dispenser knob to the left and lift it out.
- Add rinse agent until the indicator window looks full.
- Clean up any spilled rinse agent with a damp cloth.
- Replace the dispenser knob.

Rinse Aid Setting

The amount of rinse agent released into the final wash can be adjusted. The factory setting is at the midpoint. If there are rings of calcium (hard water) spots on dishes, try a higher setting.

To adjust the setting

Remove the dispenser knob; then turn the adjuster counterclockwise to increase the amount of rinse agent.



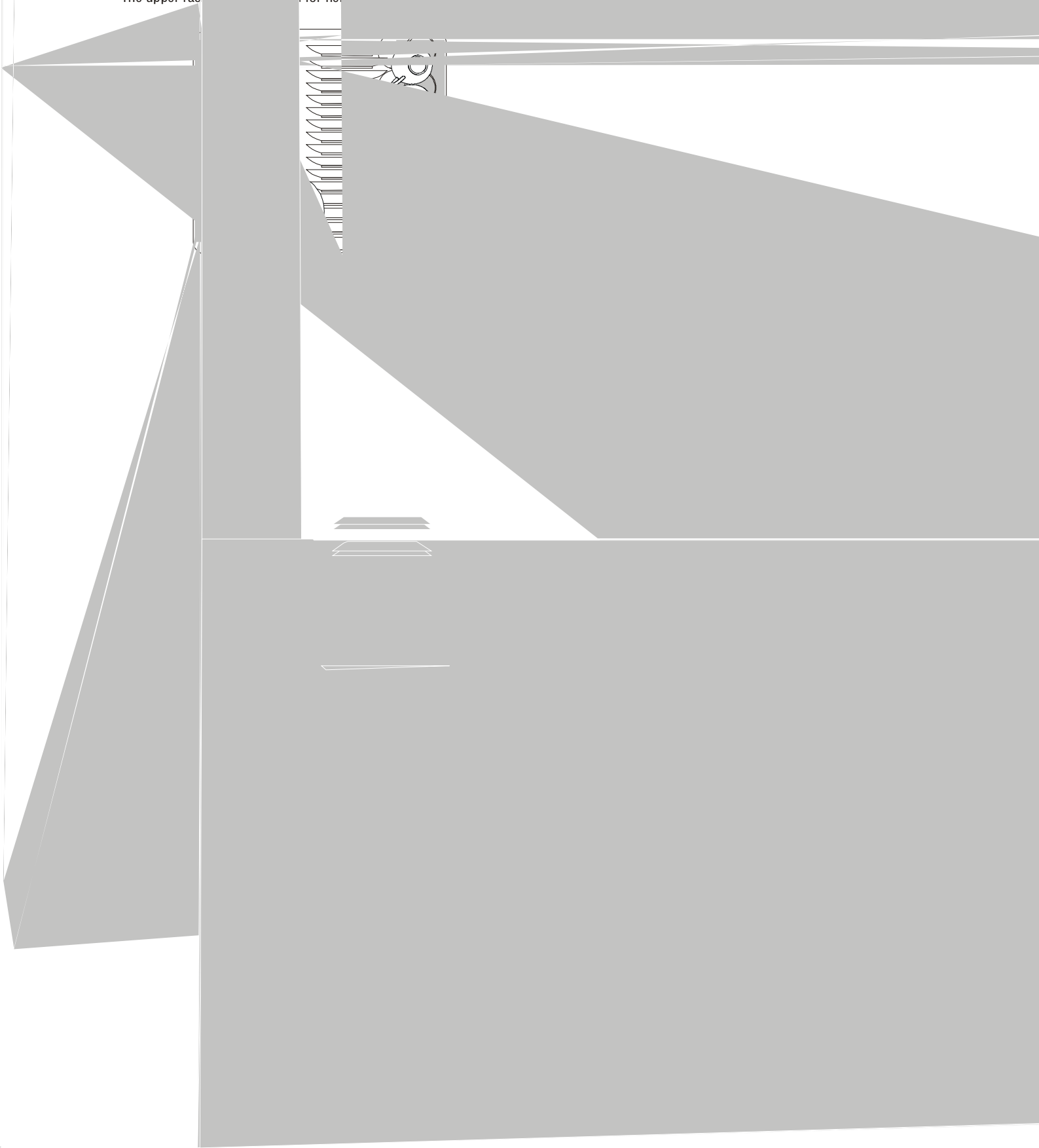
Loading *was*

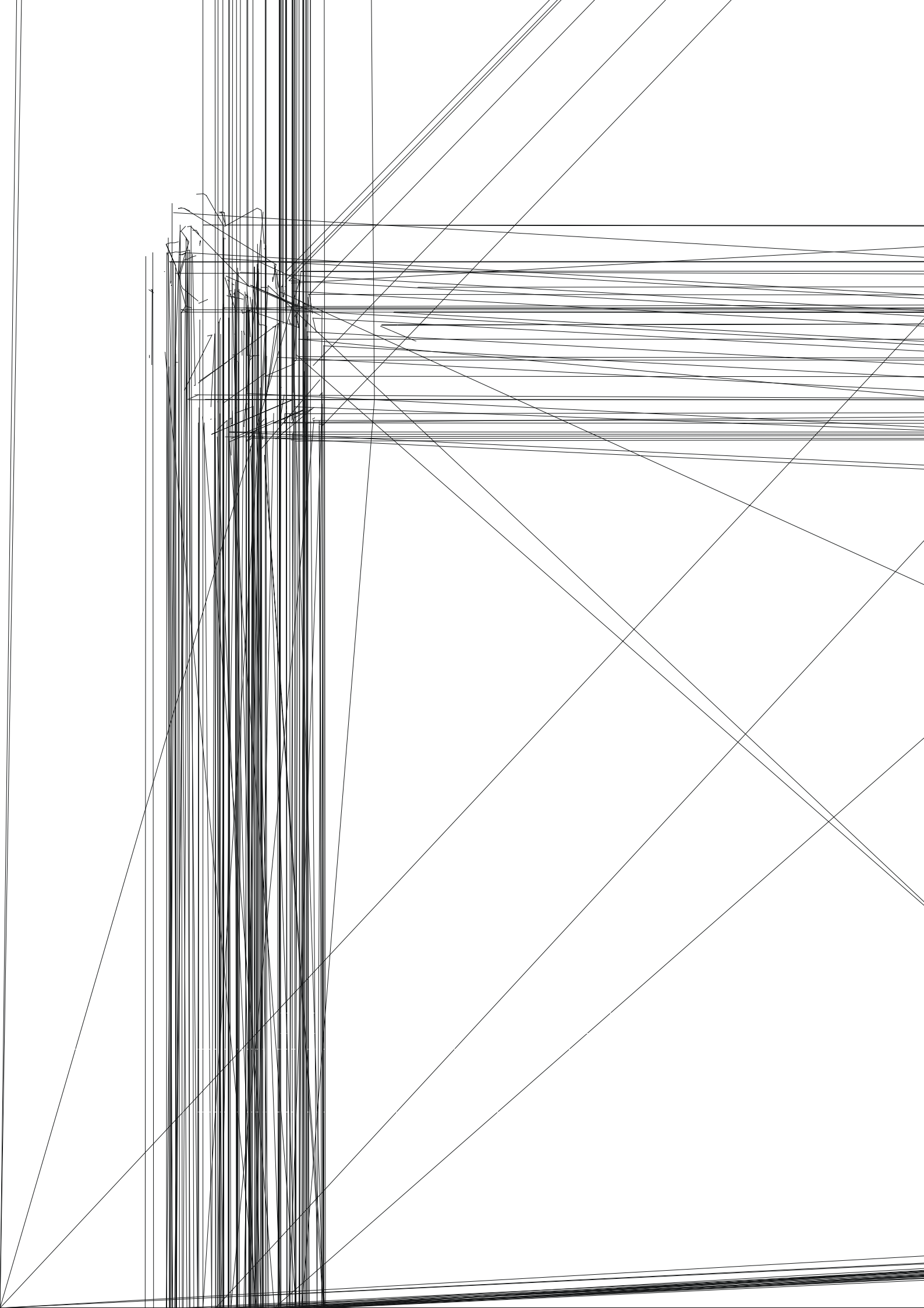
For best per
silverware b

How to *Upp*

The upper rac
as plates, sma
Position the d
The upper rac

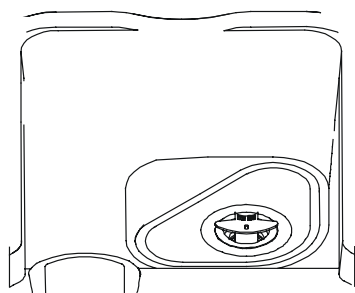
hold mo
low par
are so t
l for he





User-Maintenance Instructions

Cleaning the Filters



Filter assembly

For best performance and results, the filter assembly must be cleaned. The filter efficiently removes food particles from the wash water, allowing it to be recirculated during the cycle. For this reason, it is a good idea to remove the larger food particles trapped in the filter after each wash cycle by rinsing the semicircular filter and cup under running water. To remove the filter assembly, pull on the cup handle in the upward direction. The entire filter assembly should be cleaned at least once a month.

To clean the coarse filter and the fine filter, use a cleaning brush. Then, reassemble the filter parts as shown in the figures left and reinsert the entire assembly in the dishwasher, positioning in its seat and pressing downward.

The dishwasher must never be used without the filters. Improper replacement of the filter may reduce the performance level of the appliance and damage dishes and utensils.

▲ WARNING!

Never run the dishwasher without the filters in place.

Cleaning the Door

r

Never use a spray cleaner to clean the door panel for it could damage the door lock and electrical components. It is not allowed to use the abrasive agent or some paper towel because of the risk of scratching or leaving spots on t



Pump doesn't

Some audible
normal

Utensils are not secured
in the baskets or something
small has dropped into
the basket

Motor hums

often
which

the tub

Improper detergent

Add 1 gallon of detergent
dishwasher, then drain
Dial until a drain period

Spilled rinse agent

Always wipe up rinse agent spill

but interior

Detergent with
colorant was used

Make sure that the detergent is the

is not dried

Rinse agent dispenser
is empty

Make sure that the rinse agent dispense is

of the ware

Improper program

Improper rack loading

Make sure that the action of the detergent dispenser and
spray arms are not blocked by large dishware.

1
2
3
4
5
6
7

1
2
3
4
5
6

Before

Pr

Deter
won

1100 60-0000

Steam

Not
green

Tea
Add
dry
loading

Black or gray
marks on dishes

Am
dish
rins

Use
dish
rins

Water standing in
the bottom of the tub

T
dish

As
dish
rins

Dishwasher leaks

Of
dish
rins

Be
dish
rins

Use
dish
rins

Use
dish
rins

EQUATOR CONTACT NUMBER

PARTS & SERVICE: (800) 776-3538



Equator Corporation
Equator Plaza
2801 W. Sam Houston Parkway N.
Houston, Texas 77043-1611
Tel: 713-464-3422 Fax: 713-464-2151
Toll Free: 800-935-1955
All Rights Reserved
Manual subject to change without notice