

Electrolux Dishwashing

Rack Type WT90 - electric (R->L)

The Electrolux Dishwashing range is produced for customers with the highest conceivable demands for good efficiency, economy and ergonomics for dishwashing operation. The product range comprises glasswashers, undercounter dishwashers, hood type dishwashers, rack type dishwashers, flight type dishwashers and pot and pan washers. The rack type dishwasher range is designed to be easily connected with the equipment included in the Electrolux Handling System range, to create a functional and ergonomic dishwashing area. The WT90 has a capacity up to 100 racks per hour. The WT90 is available with or without Condensing Unit(CU) and with or without Hot Air Blower (HAB). The models on this sheet are from right to left versions.



WT90 - electr. (L->R) + CU +HAB

EASY TO INSTALL

- Only one cable for electrical connection.
- Electrical and water connections centralised in one area.
- Large inspection door to access both washing and rinsing areas.
- Service from the front and from the side.

FUNCTIONAL ZONES

- Power wash zone where all the soil is removed.
- Final rinse to sanitise the items using 3.3 litre/rack of hot fresh water heated up inside the built-in boiler.
- Available with Hot Air Blower for fast and efficient drying.
- Available with Condensing Unit, to decrease temperature and humidity of the outlet hot steam.

- Side loaders and curves 90° and 180° can be driven from the feeding system of the machine without extra motor.

EASY TO CLEAN AND MAINTAIN

- WT90 has smooth surfaces.
- The wash tank is made of 316 AISI acid proof stainless steel with rounded corners and sloping base to facilitate cleaning.
- Wash arms and double tank filter (flat and deep box) easy to remove.
- Main internal components made in 304 AISI stainless steel as well as the external panels.
- Height adjustable stainless steel feet.

EASY TO USE

- Automatic start/stop function.
- Large counter balanced and double skinned door with safety switch and easy to grip handle.
- Automatic controlled dishwashing.
- Built-in rinse water heater to increase the temperature of the final rinse water.
- Simple control panel.

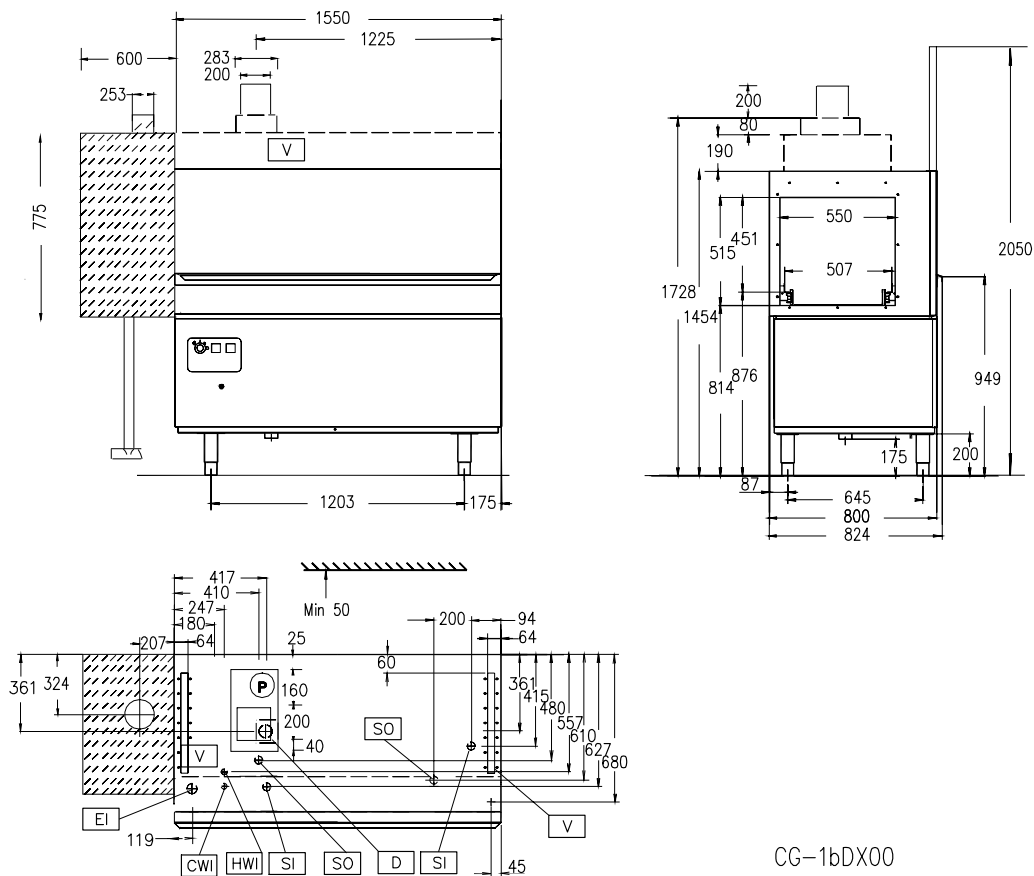
EASY ON THE ENVIRONMENT

- 98% recyclable by weight
- CFC free packaging.
- Low noise level <70dBA.
- Developed and produced in ISO 9001 and ISO 14001 certified factory.



Electrolux

533300, 533310, 533344, 533330, 533314, 533306



CG-1bDX00

Electrolux Dishwashing

Rack Type WT90 - electric (R->L)

	WT90ER 533300	WT90ER60 533306	WT90ERB 533314	WT90ERC 533330	WT90ERCB 533344	WT90ERB60 533310
LEGEND						
CWI - Cold water inlet	G 3/4"	G 3/4"	G 3/4"	G 3/4"	G 3/4"	G 3/4"
D - Water drain	50mm	50mm	50mm	50mm	50mm	50mm
EI - Electrical connection	400 V, 3N, 50	400 V, 3N, 60	400 V, 3N, 50	400 V, 3N, 50	400 V, 3N, 50	400 V, 3N, 60
HWI - Hot water inlet	G 3/4"	G 3/4"	G 3/4"	G 3/4"	G 3/4"	G 3/4"
V - Condensation outlet	●	●	●	●	●	●
TECHNICAL DATA						
Model	Basic - Electromechanical	Basic - Electromechanical	Basic - Electromechanical	ECO - Electromechanical	ECO - Electromechanical	Basic - Electromechanical
Condensing Unit				●	●	
Hot air blower			●		●	●
Power supply	Electric	Electric	Electric	Electric	Electric	Electric
Feeding direction	from RH to LH	from RH to LH	from RH to LH	from RH to LH	from RH to LH	from RH to LH
N° of speeds	1	1	1	1	1	1
Capacity dishes/h 1st/2nd speed	1800	1800	1800	1800	1800	1800
Capacity baskets/h 1st/2nd speed	100	100	100	100	100	100
Automatic start/stop	●	●	●	●	●	●
Air emission - m³/h	500	500	500	500	500	500
Water supply						
operation - °C	50	50	50	10-15	10-15	50
tank filling - °C	50	50	50	50	50	50
External dimensions - mm						
width	1550	1550	2150	1550	2150	2150
depth	824	824	824	824	824	824
height/with open door	1454, 2050	1454, 2050	1744, 2050	1924, 2050	1924, 2050	1744, 2050
1st wash						
temperature - °C	55-65	55-65	55-65	55-65	55-65	55-65
tank capacity - lt.	114	114	114	114	114	114
pump power - kW	2.55	2.55	2.55	2.55	2.55	2.55
Rinsing						
temperature - °C	80-90	80-90	80-90	80-90	80-90	80-90
boiler capacity - lt.	16	16	16	16	16	16
boiler power - kW	16	16	16	21	21	16
water consumption lt./h	330	330	330	330	330	330
Total installed power - kW	28.3	28.3	36.8	33.9	42.4	36.8
Net weight - kg.	200	200	270	270	340	270
Supply voltage	400 V, 3N, 50	400 V, 3N, 60	400 V, 3N, 50	400 V, 3N, 50	400 V, 3N, 50	400 V, 3N, 60
ACCESSORIES						
BASKET FOR 5 HALF INSULATED TRAYS-RED	867005	867005	867005	867005	867005	867005
COVER GRID FOR SMALL/LIGHT ITEMS IN RACK	867016	867016	867016	867016	867016	867016
KIT 6 BASKETS FOR 1-TANK RACK TYPE DW	867050	867050	867050	867050	867050	867050
KIT 9 BASKETS FOR 1-TANK RACK TYPE DW	867051	867051	867051	867051	867051	867051
KIT PRESSURE BOOSTER FOR RINSING WATER	864052	864052	864052	864052	864052	864052
SIDE PRE-WASH AND WASH ARMS	864053	864053	864053	864053	864053	864053

IEAA020

2009-06-19

Subject to change without notice