

Electrolux Dishwashing

Glasswashers WT2

The Electrolux Dishwashing range is produced for customers with the highest conceivable demands for good efficiency, economy and ergonomics for dishwashing operation. The product range comprises glasswashers, undercounter dishwashers, hood type dishwashers, rack type dishwashers, flight type dishwashers and pot and pan washers. The glasswasher range consists of models with different charging holes, in order to handle glasses up to 290 mm height.



402030

EASY TO INSTALL AND MAINTAIN

- Models are equipped with a drain pump to facilitate the installation.
- Rinse booster pump available to be installed on site.
- Simple service from the front.

EASY TO CLEAN

- The glasswashers have smooth surfaces and a fully pressed wash tank with rounded corners to facilitate cleaning.
- All the internal elements (arms and filter) are easily extractable.
- 304 AISI stainless steel front and side panels, load bearing frame, wash tank, tank filter and wash and rinse arms.

EASY TO USE

- Built-in rinse water heater to increase the temperature of the final rinse water.
- Built-in rinse aid dispenser for perfect rinsing results.
- Simple control panel.
- Two cycles (120 and 300 seconds); the longer cycle allows the washing of crockery with a higher degree of soil.
- An extra program for cold rinsing of beer glasses.

CONSTRUCTION FEATURES

- Double skinned construction.
- Wash/rinse arms and nozzles in stainless steel.
- Completely closed on the reverse by a cover plate.
- All models finished in top quality materials to aid durability.

EASY ON THE ENVIRONMENT

- 98% recyclable by weight.
- CFC free packaging.
- Low noise level.
- Developed and produced in ISO 9001 and ISO 14001 certified factory.



Electrolux

**Electrolux Dishwashing
Glasswashers WT2**

	WT2 402061	WT2N 402035	WT2N4 402047	WT2TOP 402044	WT2TOP60 402015	WT2WSDP 402030	WT2WSDPD 402032	WT2DPD3 402067
TECHNICAL DATA								
Water supply								
pressure min. , max. - bar	2, 3	2, 3	2, 3	2, 3	2, 3	2, 3	2, 3	2, 3
temperature - °C	10	10	10	10	10	10	10	10
hardness - °f	7-14	>14	7-14	>14	>14	>14	>14	7-14
hardness - °d	4-8	>8	4-8	>8	>8	>8	>8	4-8
Cold rinse	●	●	●	●	●	●	●	●
Water softener		●		●	●	●	●	
Drain pump			●	●	●	●	●	●
Rinse Booster Pump				●	●			
Detergent dispenser							●	●
N° of cycles	2	2	2	2	2	2	2	2
Duration cycles - sec.	120/300	120/300	120/300	120/300	120/300	120/300	120/300	120/300
Basket capacity/h	30	30	30	30	30	30	30	30
External dimensions - mm								
width	460	460	460	460	460	460	460	460
depth	565	565	565	565	565	565	565	565
height	715	715	715	715	715	715	715	715
Cell dimensions - mm								
width	400	400	400	400	400	400	400	400
depth	400	400	400	400	400	400	400	400
height	290	290	290	290	290	290	290	290
Washing cycle								
temperature - °C	55-65	55-65	55-65	55-65	55-65	55-65	55-65	55-65
tank capacity - lt.	6	6	6	6	6	6	6	6
power pump - kW	0.3	0.3	0.3	0.3	0.3	0.3	0.3	0.3
electrical elements - kW	0.8	0.8	0.8	0.8	0.8	0.8	0.8	0.8
Cold rinse cycle								
duration - sec.	10	10	10	10	10	10	10	10
temperature - °C	10	10	10	10	10	10	10	10
water consumption - lt./cycle	2	2	2	2	2	2	2	2
Hot rinse cycle								
duration - sec.	16	16	16	16	16	16	16	16
temperature during rinse - °C	80-90	80-90	80-90	80-90	80-90	80-90	80-90	80-90
water consumption - lt./cycle	2.3	2.3	2.3	2.3	2.3	2.3	2.3	2.3
Boiler capacity - lt.	5	5	5	5	5	5	5	5
Boiler elements - kW	3	3	4.5	3	3	3	3	4.5
Power - kW								
drain pump			0.034	0.034	0.034	0.034	0.034	0.034
total power	3.3	3.3	4.8	3.3	3.3	3.3	3.3	4.8
Net weight - kg.	37	37	37	37	37	37	37	37
INCLUDED ACCESSORIES								
BASKET FOR GLASSES-395X395X200 MM	1	1	1	1	1	1	1	1
ACCESSORIES								
BASKET F.GLASSES-ANGLED BASE-395X395X200	867056	867056	867056	867056	867056	867056	867056	867056
BASKET FOR 16/8 PLATES DIAM.190/240 MM	867052	867052	867052	867052	867052	867052	867052	867052
BASKET FOR GLASSES+SAUCERS/CUTLERY INS.	867055	867055	867055	867055	867055	867055	867055	867055
BASKET FOR GLASSES-395X395X100 MM	867053			867053	867053			
BASKET FOR GLASSES-395X395X200 MM	867054	867054	867054	867054	867054	867054	867054	867054
COVER GRID FOR SMALL/LIGHT ITEMS IN RACK	867016	867016	867016	867016	867016	867016	867016	867016
FILTER FOR PARTIAL DEMINERALIZATION	864017		864017	864017	864017			864017
FILTER FOR TOTAL DEMINERALIZATION	864015		864015	864015	864015			864015
INCLINED INSERT FOR CUPS	867061	867061	867061	867061	867061	867061	867061	867061
INSERT FOR 14 SAUCERS	867060	867060	867060	867060	867060	867060	867060	867060
INSERT FOR 7 PLATES DIAM. 240 MM	867062	867062	867062	867062	867062	867062	867062	867062
INSERT FOR"FLUTE"GLASSES	867058	867058	867058	867058	867058	867058	867058	867058
KIT 4 PLASTIC BOXES FOR CUTLERY-YELLOW	865574			865574	865574			
KIT TO MEASURE TOTAL/PART.WATER HARDNESS	864050	864050	864050	864050	864050	864050	864050	864050
RINSE BOOSTER PUMP KIT	867063	867063	867063			867063	867063	867063
ROUND BASKET KIT WITH SQUARE FRAME	867057	867057	867057	867057	867057	867057	867057	867057
YELLOW CUTLERY CONTAINER	864242	864242	864242	864242	864242	864242	864242	864242

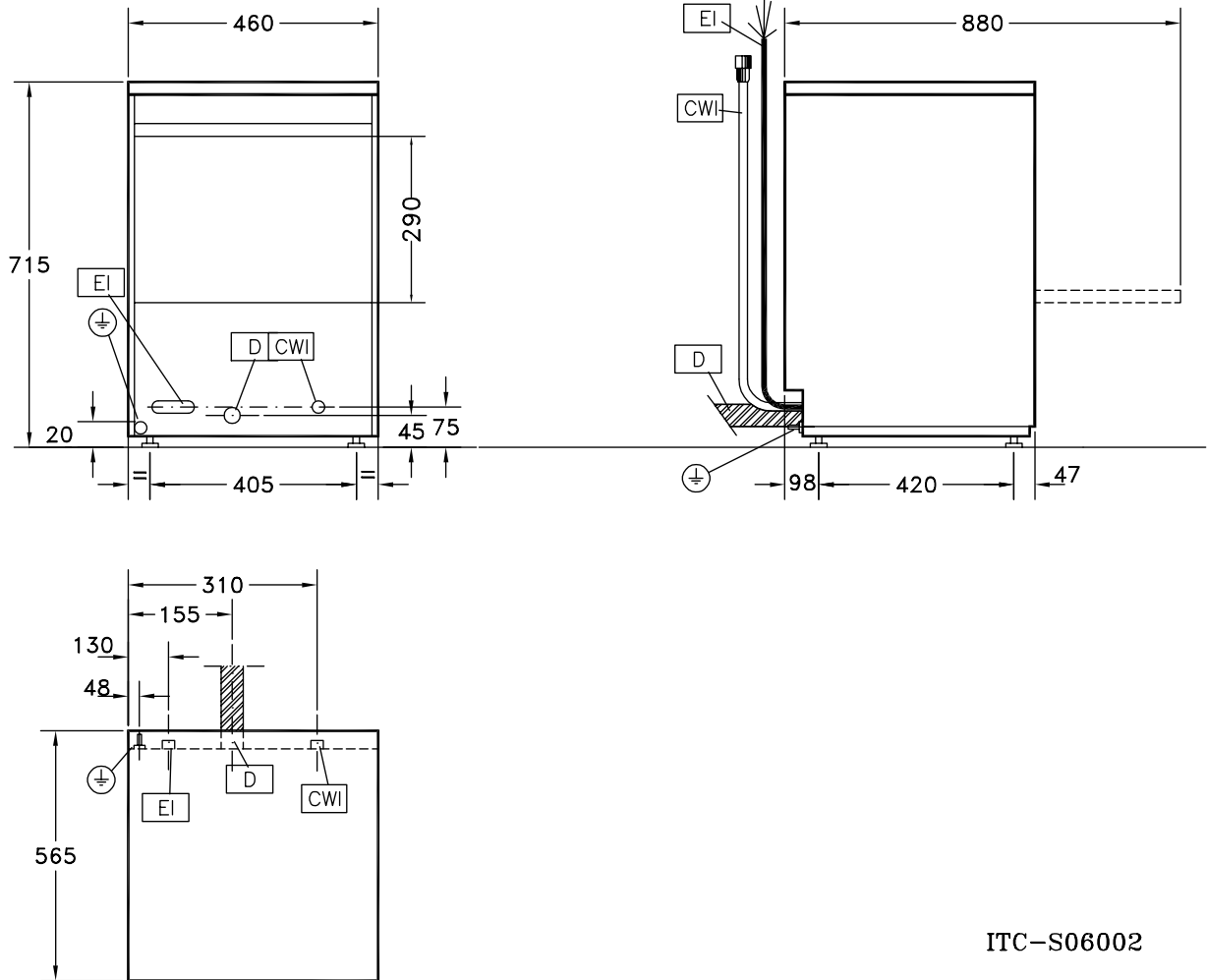
IAB010

2009-06-19

Subject to change without notice

**Electrolux Dishwashing
Glasswashers WT2**

402061, 402035



ITC-S06002

IAB010

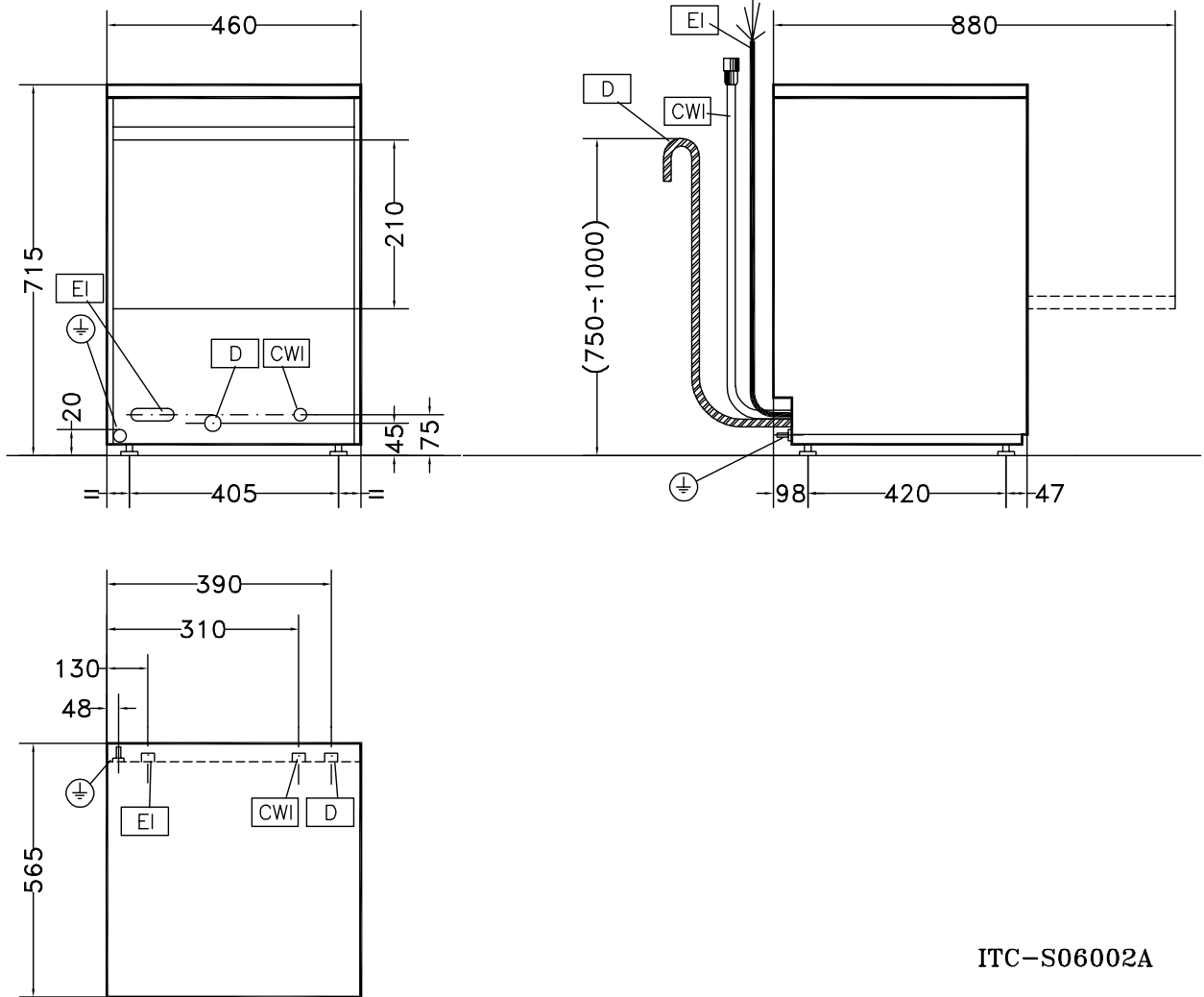
2009-06-19

LEGEND	WT2 402061	WT2N 402035
	CWI - Cold water inlet	G 3/4"
D - Water drain	22mm	22mm
EI - Electrical connection	230 V, 1N, 50	230 V, 1N, 50

Subject to change without notice

**Electrolux Dishwashing
Glasswashers WT2**

402047, 402030, 402044



ITC-S06002A

IAB010

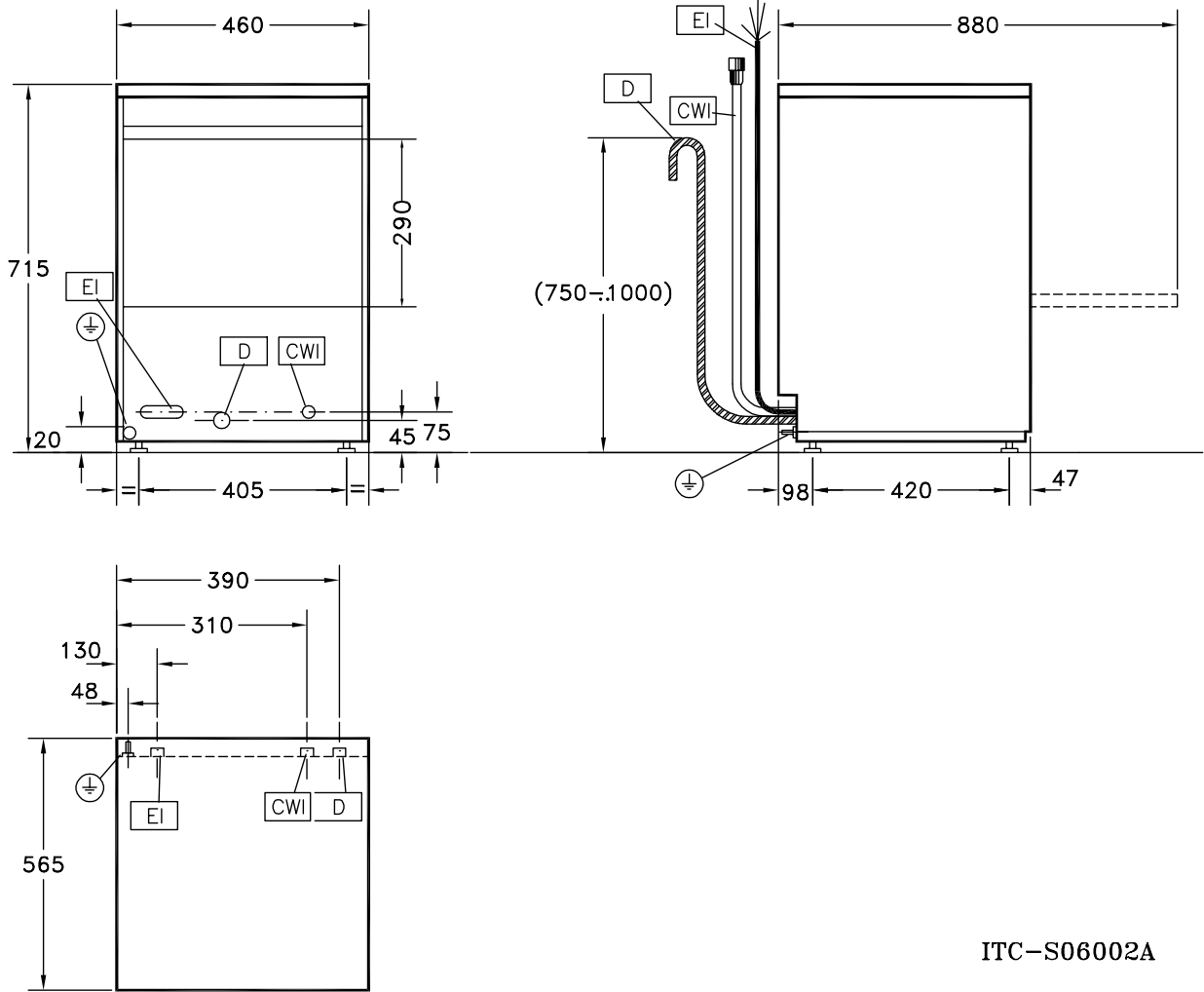
2009-06-19

	WT2N4 402047	WT2TOP 402044	WT2WSDP 402030
LEGEND			
CWI - Cold water inlet	G 3/4"	G 3/4"	G 3/4"
D - Water drain	27mm	27mm	27mm
EI - Electrical connection	400 V, 3N, 50	230 V, 1N, 50	230 V, 1N, 50

Subject to change without notice

**Electrolux Dishwashing
Glasswashers WT2**

402015, 402067, 402032



ITC-S06002A

IAB010

2009-06-19

	WT2TOP60 402015	WT2WSDPD 402032	WT2DPD3 402067
LEGEND			
CWI - Cold water inlet	G 3/4"	G 3/4"	G 3/4"
D - Water drain	27mm	27mm	27mm
EI - Electrical connection	230 V, 1N, 60	230 V, 1N, 50	400 V, 3N, 50

Subject to change without notice