

Standard Glasswashers NGW

The Electrolux Dishwashing range is produced for customers with the highest conceivable demands for good efficiency, economy and ergonomics for dishwashing operation. The product range comprises glasswashers, undercounter dishwashers, hood type dishwashers, rack type dishwashers, flight type dishwashers and pot and pan washers. The glasswasher range consists of models with different charging holes, in order to handle glasses up to 290 mm height.



402070

EASY TO INSTALL AND MAINTAIN

- One model is equipped with a drain pump to facilitate the installation.
- Simple service from the front.

EASY TO CLEAN

- The glasswashers have smooth surfaces and a fully pressed wash tank with rounded corners to facilitate cleaning.
- All the internal elements (wash and rinse arms and wash pump filter) are easily extractable.
- 304 AISI stainless steel front panel, load bearing frame, wash tank and wash and rinse arms.

EASY TO USE

- Built-in rinse water heater to increase the temperature of the final rinse water.
- Built-in rinse aid dispenser for perfect rinsing results.
- Simple control panel.
- One cycle of 120 seconds.

CONSTRUCTION FEATURES

- Double skinned construction.
- Wash/rinse arms and nozzles in stainless steel.
- Completely closed on the reverse by a cover plate.

- All models finished in top quality materials to aid durability.

EASY ON THE ENVIRONMENT

- 98% recyclable by weight.
- CFC free packaging.
- Low noise level.
- Developed and produced in ISO 9001 and ISO 14001 certified factory.



Electrolux

**Electrolux Dishwashing
Standard Glasswashers NGW**

	NGW 402070	NGWDPDD 402071
TECHNICAL DATA		
Water supply		
pressure min. , max. - bar	2, 3	2, 3
temperature - °C	10	10
hardness - °f	7-14	7-14
hardness - °d	4-8	4-8
Drain pump		●
Detergent dispenser		●
N° of cycles	1	1
Duration cycles - sec.	120	120
Basket capacity/h	30	30
External dimensions - mm		
width	460	460
depth	565	565
height	715	715
Cell dimensions - mm		
width	400	400
depth	400	400
height	290	290
Washing cycle		
temperature -°C	55-65	55-65
tank capacity - lt.	6	6
power pump - kW	0.3	0.3
electrical elements - kW	0.8	0.8
Hot rinse cycle		
duration - sec.	16	16
temperature during rinse - °C	80-90	80-90
water consumption - lt./cycle	2.3	2.3
Boiler capacity - lt.	5	5
Boiler elements - kW	3	2
Power - kW		
total power	3.3	2.3
Net weight - kg.	37	37
INCLUDED ACCESSORIES		
BASKET FOR GLASSES-395X395X100 MM	1	1
ACCESSORIES		
BASKET F.GLASSES-ANGLED BASE-395X395X200	867056	867056
BASKET FOR 16/8 PLATES DIAM.190/240 MM	867052	867052
BASKET FOR GLASSES+SAUCERS/CUTLERY INS.	867055	867055
BASKET FOR GLASSES-395X395X100 MM	867053	867053
BASKET FOR GLASSES-395X395X200 MM	867054	867054
COVER GRID FOR SMALL/LIGHT ITEMS IN RACK	867016	867016
FILTER FOR PARTIAL DEMINERALIZATION	864017	864017
FILTER FOR TOTAL DEMINERALIZATION	864015	864015
INCLINED INSERT FOR CUPS	867061	867061
INSERT FOR 14 SAUCERS	867060	867060
INSERT FOR 7 PLATES DIAM. 240 MM	867062	867062
INSERT FOR"FLUTE"GLASSES	867058	867058
KIT 4 PLASTIC BOXES FOR CUTLERY-YELLOW	865574	865574
KIT TO MEASURE TOTAL/PART.WATER HARDNESS	864050	864050
ROUND BASKET KIT WITH SQUARE FRAME	867057	867057
YELLOW CUTLERY CONTAINER	864242	864242

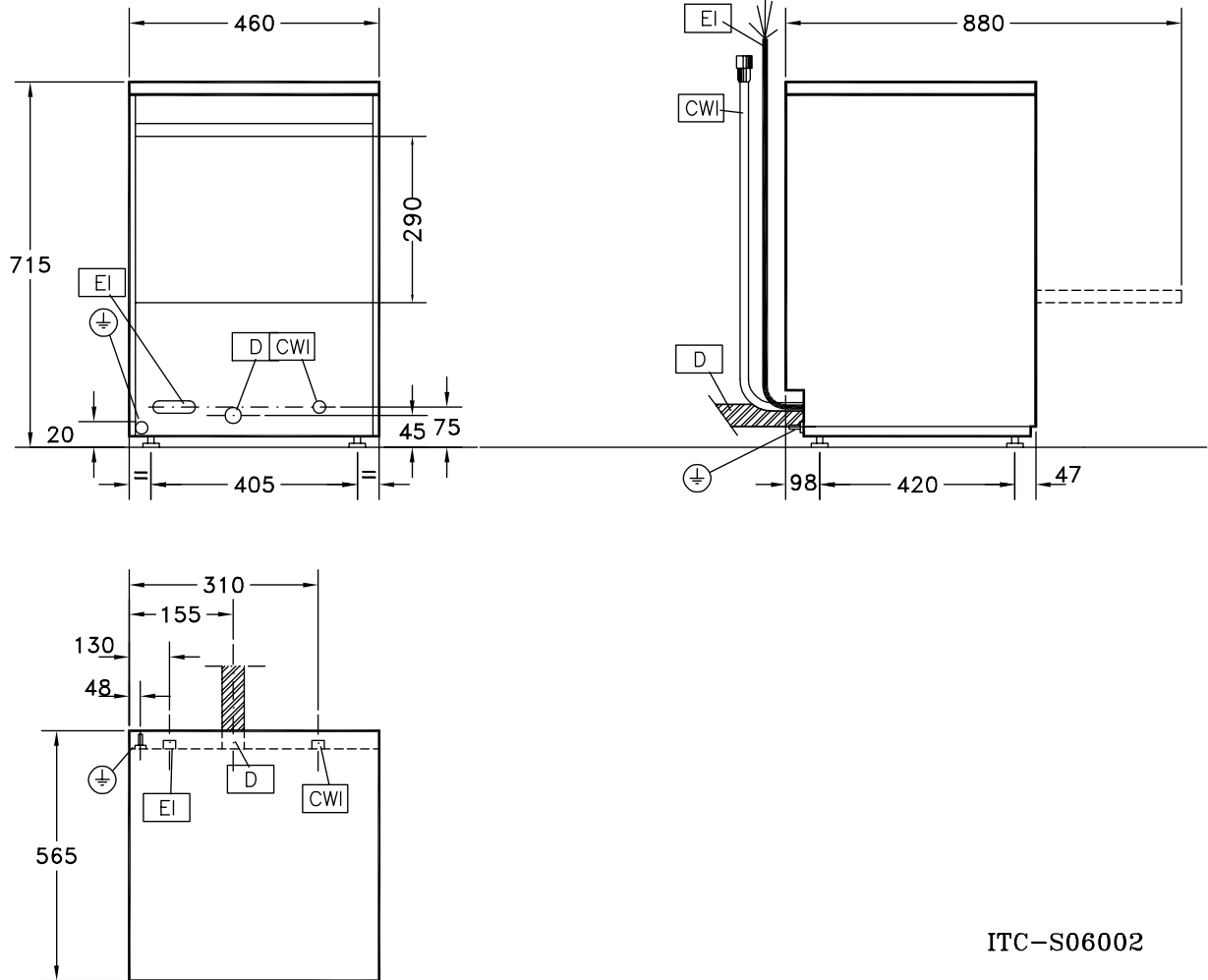
IA B020

2009-07-02

Subject to change without notice

**Electrolux Dishwashing
Standard Glasswashers NGW**

402070



ITC-S06002

LEGEND CWI - Cold water inlet D - Water drain EI - Electrical connection	NGW 402070
	G 3/4"
	22mm
	230 V, 1N, 50

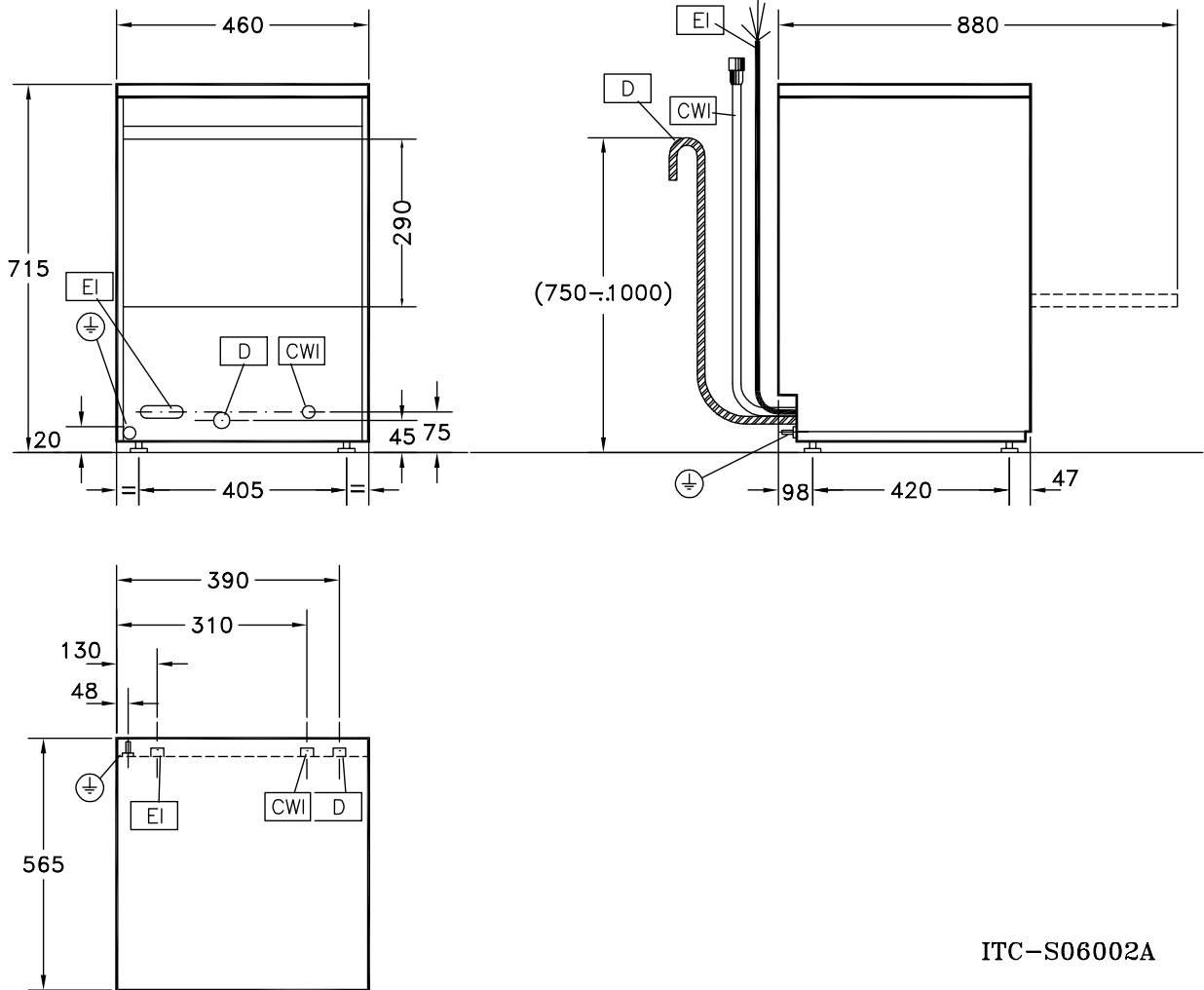
IA B020

2009-07-02

Subject to change without notice

**Electrolux Dishwashing
Standard Glasswashers NGW**

402071



ITC-S06002A

LEGEND	CWI - Cold water inlet	NGWDPDD 402071
	D - Water drain	G 3/4"
	EI - Electrical connection	27mm
		230 V, 1N, 50

IA B020

2009-07-02

Subject to change without notice