

# Favorit Compact 525 / 525i

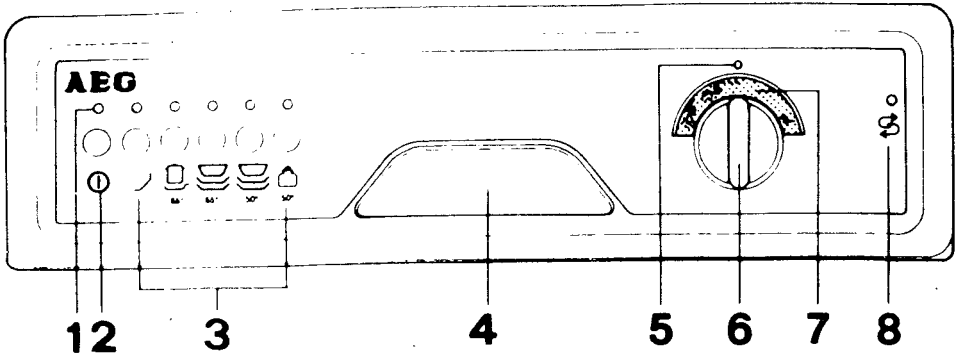
Dishwasher

Operating Instructions

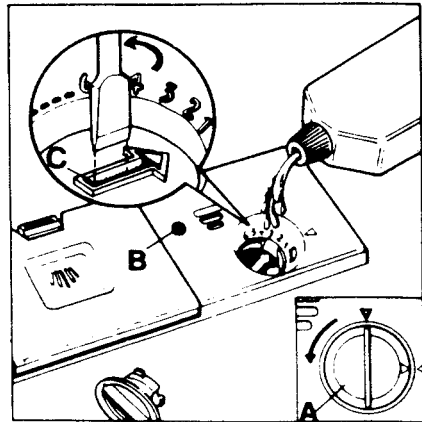
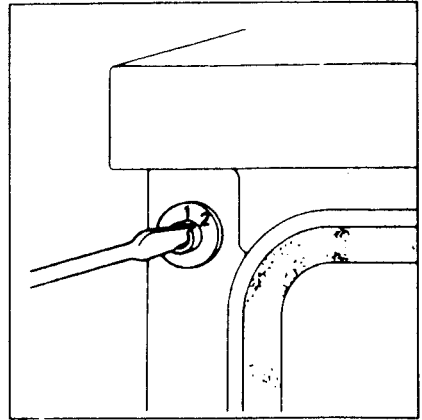
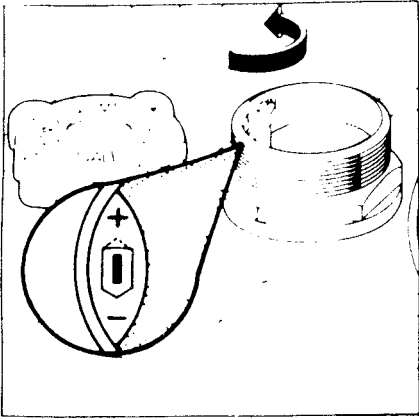
---

<b>Illustrations (please fold out)</b>	3 - 5
<b>Important instructions</b>	23 - 24
<b>Technical data</b>	24
<b>Installation</b>	
Setting up	25
Adapting the work-top	25
Connecting the waste-water hose	25 - 26
Connecting the water intake hose	26
Water protection system	27
Electrical connection	27
<b>Starting up</b>	
The control panel	28
Setting the water-hardness	29
Filling the special salt	30
Filling the rinse-aid	30 - 31
Filling the dish-washing powder	31
Arranging the crockery	31 - 32
<b>A few tips on washing dishes by machine</b>	32 - 33
<b>Working steps</b>	33
<b>Dish-washing programmes</b>	34 - 35
<b>Maintenance</b>	
Cleaning the filters	36
Cleaning the fine filter	36
Cleaning inside and out	36
<b>Rectifying minor breakdowns</b>	37



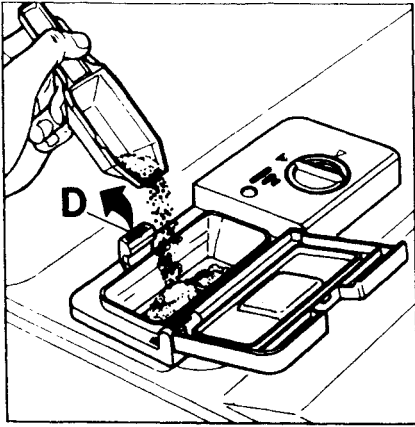


1

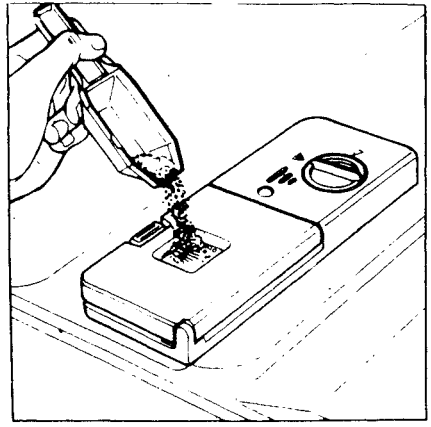


4

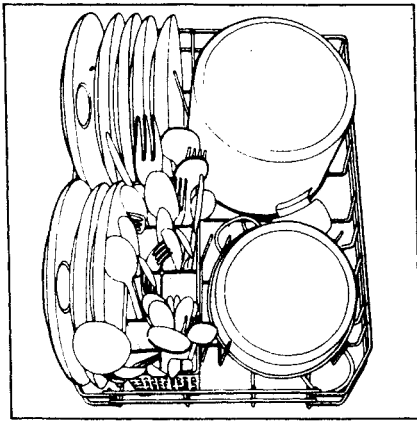
5



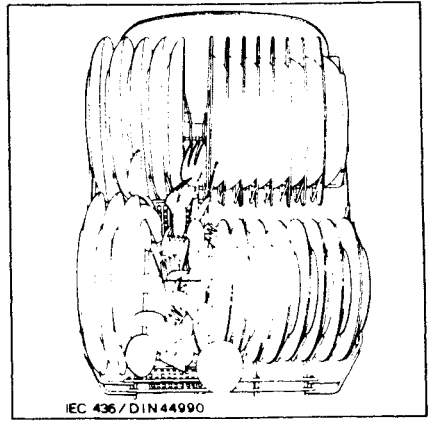
6



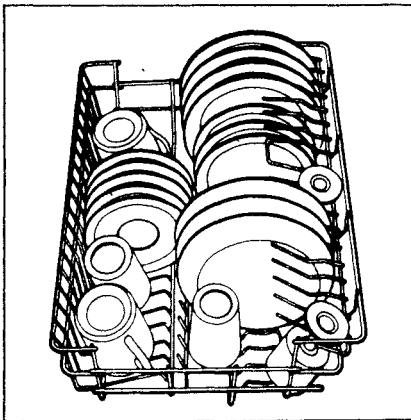
7



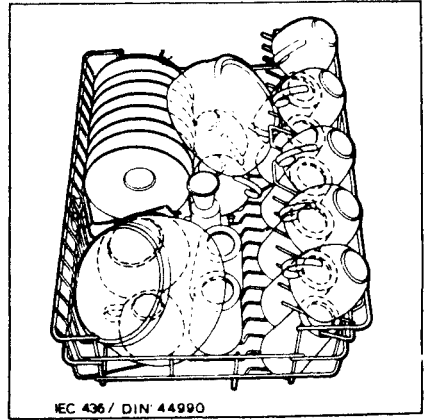
8



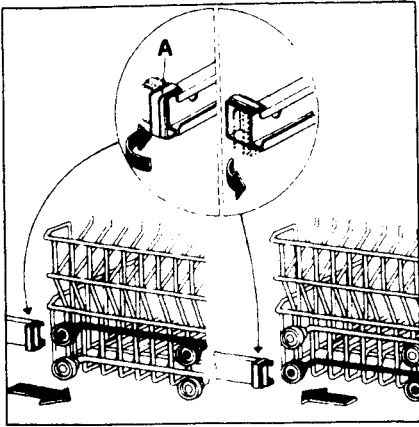
9



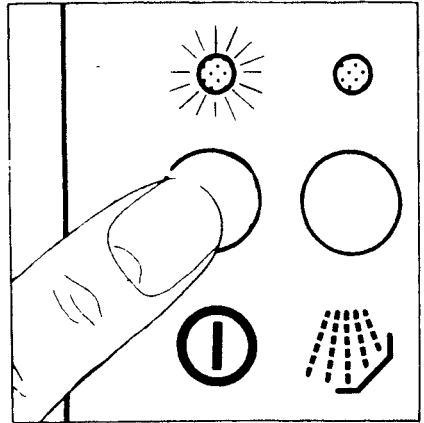
10



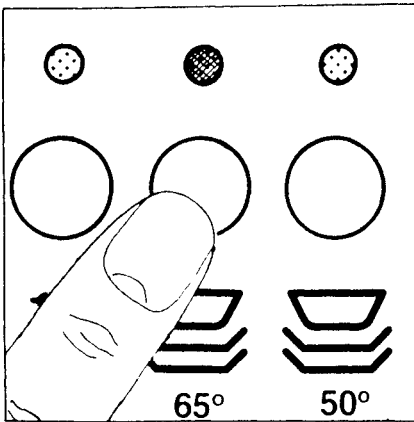
11



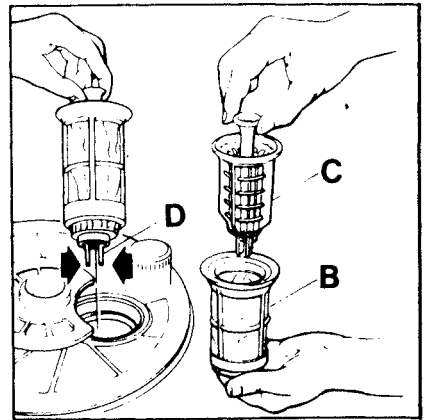
12



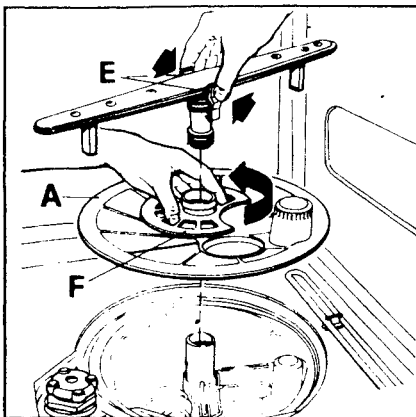
13



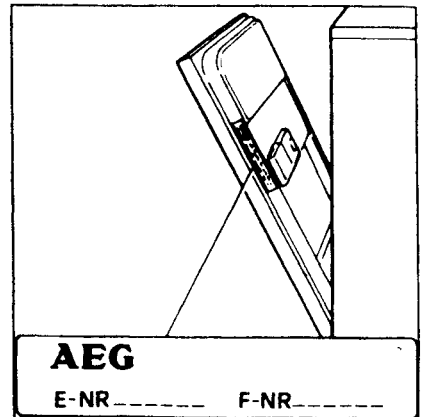
14



15



16



17

---

## Water protection system

As a protection against damage by water, the dish-washer is fitted with a water protection system. In addition to a device to prevent overflowing, which prevents the water level in the appliance rising out of control, it also has a run-out protector (a floating switch in the bottom of the machine) which responds if there is a water leak inside the machine. The double-walled intake hose is also monitored by the safety valve directly on the water tap.

In any instance of a failure, the water flow is immediately shut off and the emptying pump switched on. **This will even function when the appliance is switched off.** The water can then neither run out nor run over, and any water remaining inside the appliance will be automatically pumped out: A failure can be recognised if the sound of the pump can be heard even when the appliance is **switched off**.

In such an instance, **first turn the tap off.** Then you can disconnect the appliance from the electric mains completely by pulling the plug out of the socket.

## Electrical connection

Connect the appliance to the mains by inserting the plug in a properly earthed socket.

According to the technical connection conditions of the electricity supply company, a permanent connection to the power mains can only be installed by a qualified electrician.

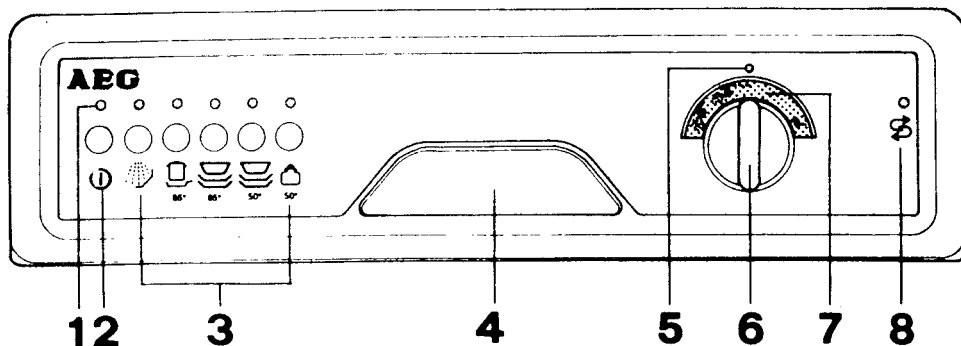
You will find the data for the electrical connection on the rating plate located on the right-hand inside edge of the door. If the appliance is of the type which can be switched from one voltage to another, the instructions must be followed that can be found in the switch-over diagram in the mains power point.

**When connecting the appliance to the mains, it is essential that the mains voltage at the place of use matches the nominal voltage shown on the rating plate.**

**The manufacturer shall bear no legal liability for any accidents resulting from failure to comply with these safety regulations.**

## Control panel

- |                                       |                                   |
|---------------------------------------|-----------------------------------|
| 1 Pilot light: machine is switched ON | 5 Start position                  |
| 2 ON/OFF switch (I)                   | 6 Programme switch                |
| 3 Programme selection buttons         | 7 Programme status indicator      |
| 4 Hand grip                           | 8 Indicator for topping up salt ⚡ |



### 1. Pilot light: machine is switched ON

When the On/Off switch (2) has been pressed, this light comes on and shows that the appliance is electrically "live".

### 2. On/Off switch (I) :

#### Switch on

When this switch is pressed the pilot light (1) comes on and shows that the machine is "live" and that a programme can be selected.

#### Stand-still

When the dish-washing programme has finished, the machine automatically comes to a stand-still but the pilot light (1) does not yet go out.

In order to switch the pilot light off, or if it is necessary to stop the machine at any point in time during a dish-washing programme, press this button once again.

### 3. Programme selection buttons

Press the button corresponding to the programme selected (see Programme Table).

### 4. Hand grip

To close the door, simply press on it firmly. To open the door, press the grip in, press the grip lightly upwards, and pull it outwards at the same time.

### 6. Programme switch

This switch starts the dish-washing programme. Turn the switch clockwise to the START position (5).

### 7. Programme status indicator

During the course of the programme, a symbol appears in this window to show the cycle which is running at that moment.

The symbols mean the following:

- ☹ Pre-rinsing
- Cleaning
- ☹ Intermediate rinsing
- \* Final rinsing
- ↓ Drying with hot air

When the programme has finished the indicator stays at the STOP position.

### 8. Indicator for topping up salt ⚡ :

This light comes on when it is time to top up the special salt.

---

The hose can be led off to the right or the left in any way required.

Kinks or dents in the waste-water hose should be avoided as they can slow down the flow of waste water or prevent it altogether.

The waste-water hose can be extended by a maximum of 2 metres using a hose or pipe with a diameter not less than that of the hose on the appliance.

If any connection pieces are used, they also must have the same or a greater diameter as the hose on the appliance (minimum 18 mm). The extension hose should lie on the floor, and only rise at the point where it is connected.

## Connecting the water intake hose

This dish-washer is fitted with a safety (solenoid) valve directly next to the water tap (see also under "water protection system"). In order to ensure that this safety device functions properly, the double-walled intake hose must be connected to the outlet valve (water tap) in certain installation positions.

**Please therefore consult the separate connecting instructions on the "Safety valve on the water tap".**

This dish-washer has been constructed in conformity with the relevant safety regulations relating to water and possesses safety devices which prevent the dish-washing water from flowing back into the drinking-water supply.

The dish-washer can be connected to a cold water supply, or to hot water up to a temperature of 60° C, **but not to open hot-water appliances or to through-flow heaters.** It is advisable, however, to select a supply of cold water. As the rinsing times are considerably shorter with hot water, the rinsing result could be affected, especially if the crockery is particularly dirty.

Connect the water intake hose to a water tap with a 3/4-inch screw thread or to a water hose quick-release connector ("pressblock"). Tighten the fastening ring properly to avoid any leakage of water.

Make sure as well that the pressure in the water mains lies within the range given in the technical data.

Avoid any kinks or dents in the intake hose, as they could slow down the inflow of water or prevent it altogether.

If the water intake is new, or has not been used for a long time, it is advisable to let the water run for a few minutes before connecting up the dishwasher.

You can thus avoid the risk of any deposits of sand or rust blocking the filter of the intake hosepipe of your appliance.

If you need a longer intake hosepipe than the one delivered, please only use the complete VDE-approved one supplied by our service centre which is continuous and of sufficient length.

**Never cobble one together.**

### Note:

With appliances which have a safety valve on the water tap, the supply can also be extended by means of a fixed length of copper pipe (diameter: 8 to 10 mm).

So that the water supply for other purposes in the kitchen is not restricted, we recommend that an additional water tap should be installed. Should this not be possible, instal a branch pipe to the existing water tap.

### Minimum water pressure:

About 0.5 bar (0.5 atmospheres over, 0.5 kp/cm<sup>2</sup>, 5 N/cm<sup>2</sup>, or 50 kPa). If the water pressure is below 0.5 bar, please consult our service centre.

### Maximum permissible water pressure:

About 8 bar (8 atmospheres over, 8 kp/cm<sup>2</sup>, 80 N/cm<sup>2</sup>, or 0.8 MPa). If the pressure is over 8 bar, a pressure-reduction valve must be fitted (available from your dealer).

---



---

## Important!

Very small items of crockery should not be washed in the machine as they can easily fall out of the basket.

**Recommendation:** When you buy new crockery, make sure it is suitable for washing in the machine.

---

## Working steps

GS-COMP-7C-GB

- 1. Check that the filters are clean**  
(See section on "Maintenance")
- 2. Check that the salt and rinse-aid containers are not empty**  
(See relevant section)
- 3. Arrange crockery in the machine**  
Remove the largest food residues from the crockery.  
  
Pull the lower basket out and then arrange pots, plates, and cutlery in it.  
  
Pull the upper basket out and arrange plates, saucers, glasses, cups, etc. in it.  
  
Push the baskets back into the machine.  
  
Check that the spray arms can rotate freely.
- 4. Fill the dish-washer powder compartment with the right dose**  
The quantity can be seen in the programme table. Then shut the lid.
- 5. Select the dish-washing programme and set the controls**  
Open the water tap, press the On/Off switch ①, and the mains pilot light will come on (Fig. 13). Press the programme button for the programme selected. The pilot light above the button will shine red (Fig. 14). Turn the programme switch to the "START" position and the selected dish-washing programme will start.
- 6. End of the dish-washing programme**  
After the end of the dish-washing programme the machine automatically comes to a halt. (The programme switch will be in the End of Programme

position). Switch it off by pressing the On/Off switch ①.

Turn the water tap off.

**Open the door and wait a few minutes before taking the crockery out – you will thus avoid any risk of burning yourself, and this will assist the drying process.**

In order to avoid drops of water falling from the upper basket onto the crockery in the lower basket, it is advisable to empty the lower basket first and the upper one afterwards.






## Important!

It is generally speaking not advisable to open the door when the machine is running. A safety device ensures, however, that the machine is switched off if the door is opened. If you absolutely have to open the door while the machine is running, switch it off first by pressing the On/Off switch ①.

## 7. Changing the programme

If a programme that is already running has to be changed, or if a new programme has to be set instead of another one, proceed as follows:  
Switch the machine off by pressing the On/Off switch, and rotate the programme switch to the STOP position. Then turn the machine on again, press the programme button for the required dish-washing programme and turn the programme switch to START again.

---

Programme	Type and extent of dirt	Type of crockery
INTENSIVE 65°C  65°	Heavily soiled crockery with food residues adhering to it, mainly containing starch (e.g. noodles, rice, potato, egg, sauces, gravy).	Pots and various different kinds of crockery
*NORMAL 65°C  65°	Normally or heavily soiled crockery with food residues adhering to it, mainly containing starch (e.g. noodles, rice, potato, egg, sauces, gravy).	
NORMAL 50°C  50°	Normally soiled crockery without food residues adhering to it or any containing starch (e.g. no burnt-on meat residues, boiled or raw vegetables, milk, coffee, or drinks).	Various different kinds of crockery
ECONOMY 50°C  50°	Lightly soiled crockery without food residues adhering to it or any containing starch (e.g. no burnt-on meat residues, boiled or raw vegetables, milk, coffee, or drinks).	Various different kinds of crockery including easily damaged items
SEPARATE PRE-RINSE 	Used crockery that has been put away in the dish-washer and is to be washed at a later point in time.	

\* **For test organisations making comparisons:**

Programm IEC 436/DIN 44990

Recommended quantity of dish-washing powder: 20 g

Capacity: standard crockery and cutlery for 8 place-settings.

Arrangement as in Figs. 9 and 11.

Before reading further, please fold out Pages 3, 4, and 5 with the illustrations.

**Please keep these instructions for use in a safe place not far from the appliance so that you can consult it whenever necessary in future.**

**If you should ever sell the appliance, hand it over to anyone else, or in the event of your leaving it behind when moving house, please make sure that it is handed over complete with these instructions so that the new owner has all the information he or she needs on the way the appliance works and the instructions relevant to it.**

**These instructions contribute to your personal safety, and should therefore be read carefully before the appliance is operated for the first time.**

If you discover any damage when the appliance is delivered, please contact the dealer who supplied it before attempting to start it up.

This appliance is only intended to be used by adults. It is dangerous to allow children to use it or play with it.

It is dangerous to undertake any modifications to the machine or the way it works.

Any work needed in connecting the appliance to the electric mains should be carried out by a qualified and officially approved electrician.

Arrange for any work needed in connecting the appliance to the water supply to be carried out by a qualified and officially approved plumber.

Make sure the appliance is not standing on its own power cable.

After the appliance has been used, disconnect it from the mains and turn the relevant water tap off.

Never open the door of the appliance for any reason whatsoever while it is in operation. Always turn the dishwasher off before opening it.

Never, ever touch the heat resistance during or immediately after the end of a dish-washing programme.

Built-in appliances only:

The appliance must be fixed to the underside of the work-top. If it is not fixed at this point it will be in an unstable state, and this can lead to damage and accidents. Please refer to the relevant instructions.

After arranging crockery in the appliance, or taking it out, always close the door so that you cannot bump against it and hurt yourself.

This dish-washing machine is designed to wash ordinary household crockery. Objects which have been in contact with petrol, paint, iron or steel filings, or corrosive chemicals (such as acids or alkalis) must not be washed in this dish-washing machine.

The following articles are only suitable for washing in this dish-washer if they are identified as "dishwasher-proof": cutlery with wooden or horn handles or glued parts, bronze cutlery, frying pans with wooden handles, articles made of aluminium, cut glass, lead-crystal glasses, plastic, and antique or expensively painted ceramic objects.

Do not arrange plastic items above the heater. Light plastic parts should be weighed down by other objects to prevent them from being lifted up and coming into contact with the heater. It is not advisable to wash silver cutlery together with cutlery made of stainless steel, as a chemical reaction can occur between the two different materials.

Silver crockery and cutlery should always be cleaned of any food residues if it cannot be washed up immediately after the meal, because many kinds of food (protein, egg yolk, mustard) leave a coloured mark or a stain.

Only use dish-washer powder which is recommended for household dish-washing machines.

Store the dish-washer powder in a place which is inaccessible to children. If they were to swallow it they could suffer chemical burns to the mouth and throat or even asphyxiation. Also, keep children away from the dishwasher when it is open as there might be residues of dish-washer powder inside.

Do not put any solvents into the dish-washing machine – there could be an explosion!

The water inside the dish-washing machine is not for drinking.

Do not sit or lean on the open door, as the appliance might tip.

The water intake hose has a plastic housing around the connector and they contain an electric lead to the valve. Do not cut through the hose or immerse the housing in water.

Never, ever try to repair the appliance yourself. Repairs carried out by anyone other than a qualified technician can lead to serious accidents or breakdowns. Please contact the service centre in your area.

In the event of a functional failure, turn the water tap off and switch the machine off (pull the plug out).

If you should one day take this appliance out of service for ever, please ensure the lock on the door is wrecked and also cut the power lead off (and throw away the plug and remaining lead at once). This avoids the risk of children at play shutting themselves inside (there is a danger of their suffocating) or otherwise putting their lives in danger.

---

## Technical data

GS · COMP · 3A · GB

Width	45 cm
Height	
free-standing appliance	85 cm
built-in appliance	82 cm
Maximum depth	57 cm
Maximum depth with open door	115 cm
Mains water pressure,	
minimum	5 N/cm <sup>2</sup>
maximum	80 N/cm <sup>2</sup>

Capacity  
(IEC standard place-settings) 8

This appliance conforms with EEC Directive 87/308, dated 2nd June 1987, and the ÖVE Directive F61/84 on the suppression of radio interference.

Dish-washer powder dosage: 20 g  
(IEC standard product)

Dimensions of matching front panel:

free-standing  
appliance 592 mm high x 436 mm wide  
clamping thickness max 4 mm

---

---

If drops of water or white marks remain on the crockery after it has been washed up, gradually increase the dosage. If the crockery comes out with whitish, sticky streaks, reduce the dosage.

## Filling the dish-washing powder

Use exclusively the dish-washing powder (or liquid, or tablets) designed for household dish-washing machines.

Before starting a dish-washing programme, not counting the pre-rinse programme, fill dish-washing powder into the special compartment. If the lid of this compartment should be closed, press the closing lever (D) lightly towards the rear (Fig. 6). Close the lid after filling up with dish-washing powder.

After the end of every dish-washing programme, the lid will be open and the container for the powder ready for the next filling. The quantity required depends on the degree of dirt on the crockery and the type of crockery. We recommend the dosages shown in the programme table.

The dish-washing powder is automatically rinsed in at the correct moment in time.

**As some dish-washing powders are more effective than others, please also pay particular attention to the dosage recommendations of the manufacturer of your brand.**

An inadequate quantity of powder will affect the overall result, while an excess quantity will not confer any advantage and will merely represent unnecessary waste.

Less harm is done to the environment through moderate use of dish-washing powder.

For the intensive programme:  
It is necessary when using this programme to pour an additional 10 grammes of powder into the depression in the lid (Fig. 7) as well as pouring the usual quantity into the powder compartment.

## Arranging the crockery

In order to arrange the crockery in the machine, first pull the crockery baskets out. The larger residues of food should first be removed, such as small bones, tooth-picks, fish-bones, remains of meat or vegetables, the peel from fruit, etc., in order to avoid blockages in the filter and ensure thorough cleaning.

### Lower basket

Pans and bowls, lids, plates (up to 27 cm diameter), salad bowls, and cutlery, etc., can be arranged in the lower crockery basket as shown in Figs. 8 and 9.

Serving plates and large lids are best distributed around the edge of the basket; it should be ensured that the upper spray arm is not hindered in its movement.

### Cutlery basket

Cutlery can be placed in its own removable basket, with the handles pointing downwards. If they stick out underneath and thus get in the way of the lower spray arm, the cutlery items need to be placed in the basket the other way round. For teaspoons you can use the special spoon rail. We recommend, for better cleaning results, that the spoons should be intermingled with other cutlery items so that they do not nest into one another.

### Upper basket

The upper basket will take cups, glasses, salad dishes, sauces, and dessert plates with a diameter of up to 24 cm, arranged as shown in Figs. 10 and 11. Glasses with long stems can be hung upside down in the upper cup compartments.

### Caution!

**Make absolutely sure that the water inlet opening in the middle of the upper basket is not covered by the crockery.**

**Check after you have arranged the crockery and cutlery that the spray arms can still rotate freely.**

---

---

**Setting the height of the upper basket**  
If large plates (with a diameter of 27 to 31 cm) are used in the usual way, they can be arranged in the **lower** basket, with the **upper** basket adjusted to a higher position. The height adjustment is carried out as follows:

Turn the front stops (A) of the **upper** crockery basket towards the front and pull the basket out (Fig. 12).

Fit the crockery basket in the higher position and turn the stops (A) inwards again.

This position will, however, reduce the holding capacity of the **upper** crockery basket; only plates with a diameter up to 20 cm can now be fitted into it, and the raised cup compartments cannot now be used.

---

## A few tips on washing dishes by machine

GS-COMP-6A-GB

### **This is the way to get good results:**

Arrange all containers such as saucepans, cups, and glasses with the opening facing downwards, so that the water can run off easily.

Inward or outward curves should be set at a slight angle, so that the water can run over them more easily.

Lay longer items of cutlery such as stirring spoons, long knives, etc. in a horizontal position, preferably in the upper basket.

Try to prevent crockery items from coming into contact with one another in the machine as much as possible. The best dish-washing results are achieved when the crockery is properly arranged.

It is preferable to place light objects in the upper crockery basket such as plastic dishes, etc. Weigh them down with heavier items.

### **How to save water, energy, and time:**

It is not necessary to rinse the crockery first under running water.

Place the crockery in the machine as soon as the meal is over. This can happen a number of times before the machine is full. The dishes can then be washed. Use the pre-rinsing programme if necessary (see table) so that the dirt does not dry on if the crockery is not going to be washed until later.

### **Crockery which is not suitable for washing in the machine:**

Cutlery with wooden or horn handles or glued parts, if the glue is not dish-washer-proof, craftsman-made items, objects made of wood, and antique or expensively painted ceramic objects are not suitable for washing in the machine.

Some kinds of ceramic decoration can fade if washed very many times in the machine, except when they are guaranteed to be dish-washer-proof.

We recommend that fine crystal or cut glass, and crockery made of plastic, should be washed by hand unless it is specifically identified as being suitable for dish-washing machines. Some kinds of glass can also become opaque after being washed numerous times in the machine.

Silver cutlery can darken if it is washed together with other metal items, so arrange the silver cutlery separate from other cutlery in the cutlery basket.

Objects made of iron or cast iron can easily pick up patches of rust and transfer the colour to other items of cutlery.

Aluminium often tends to darken. Copper, pewter, and brass tend to develop stains.

## Setting the water-hardness

Water contains more chalk and mineral salts in some areas than in others, and these form a deposit on crockery and tend to cause stains. The higher the content of salt, the harder the water is. This dish-washer is fitted with a water-softener which, by using a special kind of salt, supplies chalk-free water for dish-washing.

The water softener can treat water with a hardness of up to 50° dH (German scale) or at 5 intermediate stages. Your local water authority will tell you how hard the water is in your area.

The following table shows the degrees of water hardness, and the instructions to be followed for the necessary settings.

### Level 1

If your water-hardness is Level 1, no regenerating salt is necessary and no special setting as the water is already soft enough. In this case, the warning light (8) for topping up salt can be ignored.

### Level 2

If your water-hardness is Level 2, only regenerating salt will be necessary. It is not necessary to set the water-hardness level or the machine.

### Levels 3 and 5 -

#### Setting the water-softener

If your water-hardness is Level 3 or 5, the following steps are to be taken:

- Pull out the lower basket and unscrew the cap of the salt container. It is to be found on the floor of the machine.
- With the aid of a screwdriver or a knife, turn the two-position selector counter-clockwise through 180°, from the "-" position to the "+" position (Fig. 2).

### Levels 4 and 5

#### Setting the machine

If your water-hardness is Level 4 or 5, turn the two-position selector located in the top left-hand corner of the front face of the machine from Position 1 to Position 2 (Fig. 3).

**Note: From Level 2 upwards,** regenerating salt is to be used regularly. The relevant instructions are contained in the next section.

Level	Water hardness		Use of regenerating salt	Water softener setting	Machine setting
	°dH (German scale)	°TH (French scale)			
1	0-7	0-14	NO	NO	NO
2	8-21	15-39	YES	NO	NO
3	22-28	40-50	YES	YES	NO
4	29-39	51-70	YES	NO	YES
5	40-50	71-90	YES	YES	YES

\* The machine is set in the factory at Level 2, as this is the level most commonly encountered in practice.

---

## Filling the special salt

Using the special salt for dish-washing machines exclusively. Any other kind of salt will contain a proportion of other materials which over a period of time could damage the water-softener.

For reasons of economic operation, and as a contribution to environmental protection, no more salt should be used than is necessary. For this reason, set the level of water-hardness which is correct for the water in your area.

**Please also follow any special instructions which the manufacturer prints on the packaging.**

Pull the lower basket out and unscrew the cap of the salt container.

Fill the container with water. Using the funnel supplied, pour about 1 kilo of the regenerating salt in as well (Fig. 4).

After cleaning all residues of salt off the screw thread and the seal, screw the cap carefully back on. Later it will be sufficient to top the container up from time to time.

In order to remind you of this, your dish-washer has a green indicator on the cap of the salt container; when this disappears it is time to top up with salt.

### Caution!

**The lid of the salt container must be closed tightly, as otherwise salt can make its way into the rinsing water. The result can be glasses that look grey and dull.**

### Important:

Salt should be topped up immediately before a full dish-washing programme is to be started, not counting the pre-rinse programme. This is intended to prevent any grains of salt, or drops of salty water spilled during topping-up, from remaining for a long time on the floor of the machine before they can be wetted or dissolved.

### Caution!

**Dish-washing powder and salt are often sold in rather similar packages. Dish-washing powder accidentally filled into the salt container will put the water-softening unit out of action! Please therefore check carefully every time you intend to top up with salt that it really is the salt pack you have in your hand.**

## Filling the rinse-aid

The rinse-aid ensures brilliant crockery and also helps it to dry. It is automatically dosed in during the hot rinsing cycle. The storage compartment built in to the inside of the door can hold about 110 ml of rinse-aid, which will be sufficient for between 16 and 40 dish-washing programmes, all according to the dosage set.

### Filling up the rinse-aid

Open the reservoir by turning the cover (A) to the left (Fig. 5). Pour the rinse-aid into the filler opening until the indicator (B) on the side of the cover turns completely dark (i.e. until the reservoir is full).

### Tighten the cover again firmly

In order to prevent too much foam forming the next time a programme runs, any rinse-aid which went wide of the mark should be wiped up with a cloth.











When the indicator (B) turns pale again, top up with rinse-aid.

### Dosage:

The correct dosage of the rinse-aid should be regulated on the basis of the shine and drying results. For this purpose, set the quantity of liquid by means of the six-position selector (C) located on the inside of the filler opening (minimum quantity is position 1, maximum quantity is position 6). Use the tip of a knife or a screwdriver to rotate the selector (Fig. 5).

---



Buttons to be pressed	Quantity of powder ***		Programme sequence	Approximate consumption values *			
	in compartment	in lid depression		Duration of programme in minutes **		Electricity consumption in kWh	Water consumption in litres
				1	2		
  65°	15 g	10 g	Hot pre-rinse, clean, two intermediate rinses, clear rinse, dry	78	64	1,6	22
  65°	20 g	/	Cold pre-rinse, clean, intermediate rinse, clear rinse, dry	68	56	1,3	18
  50°	15 g	/	Cold pre-rinse, clean, intermediate rinse, clear rinse, dry	66	54	1,1	18
  50°	15 g	/	Clean, intermediate rinse, clear rinse, dry	60	48	1,1	14
 	/	/	Cold pre-rinse	6	6	0,1	11

\* These figures are only approximate, as they depend on the pressure and temperature of the mains water and on changes in voltage.

\*\* The duration of the programme depends on the total power absorbed. This value can be found on the rating plate on the right hand side of the door. In this way you will easily discover the column of the programme duration relating to your appliance.

Column 1 = 230 V / 2100W / 10A

Column 2 = 230 V / 3000 W / 16A

220-240 V / 2770W / 13A

\*\*\* As some products can be more efficient than others, please also pay particular attention to dosage instructions from the manufacturer of your brand.

**If you use the modern "compact" powders containing enzymes, we recommend as a fundamental rule that you select the 50°C programme as the enzymes function at their most effectively at or around this temperature.**

## Cleaning the filters

**(After every dish-washing programme)**  
(see Fig. 15).

Check the medium-coarse filters (B) and (C) and clean them of any dirt residues under running water, using a small brush.

The two filters (B) and (C) can be taken out by lifting them up; pull the central water-funnel upwards, press the two lugs (D) and lift the smaller filter (C) out.

**After cleaning the filters, fit them back in position by pressing them in until they click into place.**

## Cleaning the fine filter

**(Once a month)** (see Fig. 16)  
Brush the fine filter (A) clean from both sides under running water. To do this, take the lower spray arm out by pressing both lugs (E) together at the same time, rotate the fastening ring (F) to the left, and take the whole group out. After cleaning the parts of the filter, fit them back in position in the reverse sequence.

### Caution:

**Please never operate the appliance without its filters. One possible cause of poor dish-washing results can be that the filters have been fitted back in position inaccurately.**

**Cleaning the filters is particularly important for the proper operation of the dish-washing machine.**

## Cleaning inside and out

### (occasionally)

Clean the rubber seals around the door and the containers for dish-washing powder and rinse-aid with a damp cloth.

Make sure that the holes in the spray arm are not blocked.

The lower spray arm can be removed by pressing the two tags in that are mounted on the sides and hold it at the base.

In order to clean the nozzles of the upper spray arm, the upper crockery basket must be taken out, making the upper spray arm easily accessible. If you want to take it out, pull the central water-funnel out by pressing the two tags on the sides inwards and loosening the ring nut. Clean the spray arm and fit it back into its proper place.

Never operate the appliance without the spray arms!

Clean the small filter on the water intake hose as well (see "Connecting the water intake hose").

Once a year, or more often if necessary, run a dish-washing programme when the machine is empty, adding dish-washing powder or, better still, one of the special products available in the trade for the care of dish-washing machines.

The outside surface of the machine, and in particular the control panel, should be cleaned regularly with a soft, damp cloth. Use only mild cleaning products and never any scourers or solvents such as acetone, trichlorethylene, etc.

### If the appliance is to stand idle

If this dish-washer is to stand idle for any length of time, it is advisable to pull the plug out of the socket and turn the tap off, fill the rinse-aid container full, and leave the door half-open so as to prevent the formation of any unpleasant odour. The inside of the machine should be cleaned out.

### Danger of frost

If the appliance is likely to be exposed to a temperature below zero, take the water intake hose off and empty it. For this reason, set the dish-washer up in a room where the temperature is above zero before starting the next dish-washing programme.

---

If your dish-washer fails to function, the cause can often be a maintenance fault or some other minor matter which you can quickly and easily put to rights.

So, before you call in the service centre, check off the following list of possible faults first.

## Machine fails to start:

- Door is not properly shut
- Plug is not properly inserted in the socket
- Power is not available at the socket
- Check the fuses.

## Water fails to flow in:

- Water tap is shut
- No water supply
- There is a kink in the intake hose
- The filter in the intake hose is blocked.

## Water is not pumped out:

- There is a kink in the waste-water hose
- The waste-water trap under the sink is blocked
- The wrong waste-water hose extension has been fitted.

## Poor dish-washing results:

- The crockery is packed too closely together in the basket
- The crockery is not arranged properly
- The spray arms cannot rotate freely
- The holes in the spray arms are blocked
- The water-funnel in the middle of the upper basket is covered over by crockery
- The end of the waste-water hose is under water (in the sink)
- The filters are blocked
- The filters have been put back inaccurately
- An insufficient dose of dish-washing powder is being used or the powder is unsuitable, old, lumpy, or of poor quality.
- The cover of the salt container is not closed properly
- Too gentle a programme has been selected.

## There are chalky marks or a whitish film on the crockery:

- There is not enough regenerating salt in the salt container or the setting of the water-softening unit does not match the hardness of the water
- The reservoir for rinse-aid is empty or the dosage level is too low.

## Excessive noise while the appliance is running:

- The crockery items are knocking against one another
- The spray arms are knocking against projecting items of crockery.

## The crockery is not quite dry:

- The crockery has been left in the machine for too long after the end of the programme

## The door does not close properly:

- The dish-washer is not standing level or has not been installed properly.

If the problem cannot be solved even after this list has been checked off, call your local service centre and state the nature of the breakdown, the model identification (Mod.), the product number (E.-No.), and the serial number (F.-No.). This data can be seen on the dish-washing machine's rating plate on the right-hand side of the door (see Fig. 17).

## Setting up

Set the machine up as close as possible to a water tap and a connection for waste water.

In order to ensure the door closes and seals properly it is necessary for the machine to stand firmly and horizontally on the floor.

To this end, adjust the screw feet upwards and downwards until the machine stands level.

### For free-standing appliances only:

If you wish to push your appliance under a kitchen work-top, you can remove its built-in work-top (the cover of the dishwasher). The procedure is as follows: Loosen the two screws at the front. Then lift the work-top upwards, release it from the rear stops, and pull it out.

Make sure, before you push the appliance into place, that the kitchen work-top is protected with aluminium foil (available from the service centre) on the underside and along its front edge.

Installation instructions are to be found on the rear side of this foil. This is the only way of ensuring that your kitchen work-top is protected from damage caused by the water vapour which escapes when the door is opened.

### Caution

(applies only to free-standing appliances with work-top):

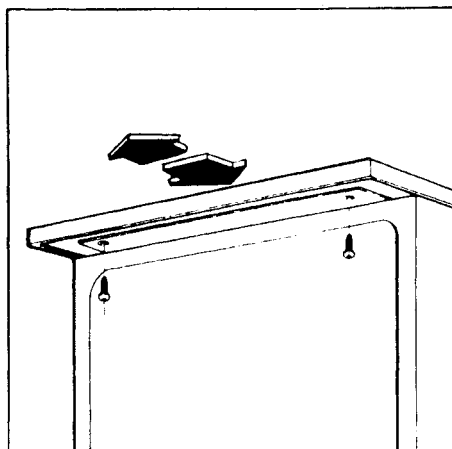
If because of lack of space there is no alternative to setting up the dishwasher directly next to a gas or coal-fired oven, a heat-insulation panel (measuring 85 x 57.5 cm) must be fitted between the oven and the dishwasher. It must be covered with aluminium foil on the side towards the oven.

### For built-in appliances only:

Please consult the enclosed instructions for setting up and making the connections, and the separate installation instructions.

## Adapting the work-top (for free-standing appliances only)

You can move the work-top 25 mm towards the front or the back so that it fits exactly up against the kitchen cabinet. To do this, loosen the two fixing screws at the front, bring the work-top into the required position, and then tighten the screws again (see illustration).



## Connecting the waste-water hose

The waste-water hose can be connected:

to the trap under the sink, if necessary using a hose-connector,

to a fixed wall connection with its own ventilation if it has an internal diameter of at least 4 cm.

It can also be fitted to the rim of the sink by means of the holder supplied for the purpose.

The waste-water connection must be at least 30 cm but no more than 100 cm above floor level.







AEG Hausgeräte AG  
Postfach 1036  
D-90327 Nürnberg 1  
© Copyright by AEG

H 246 270 100 04/93

**AEG Domestic Appliances Ltd**  
Customer Care Department  
55-77 High Street  
Slough  
Berkshire SL1 1DZ  
Telephone: 08705 350350