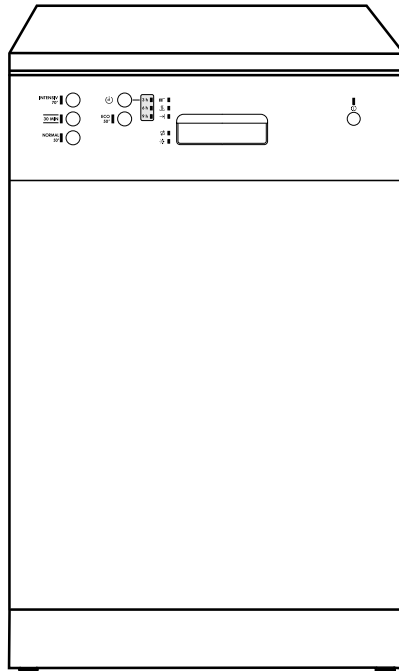


AEG

FAVORIT 44740

Dishwasher



Operating instructions

Dear customer

Please read these user instructions carefully.

Above all please observe the safety instructions on the first few pages of these user instructions! Please keep these user instructions for later reference. Pass them on to any subsequent owner of the appliance.



The warning triangle and/or specific words (Warning!, Caution!, Important!) are used to highlight instructions that are important for your safety or for the function of the appliance. It is imperative that these instructions are observed.

Numbered instruction steps lead you step by step through the operation of the appliance.



Next to this symbol you receive additional information and practical tips on using the appliance.



Tips and instructions for the economical and environmentally conscious use of the appliance are marked with a clover leaf.

In the event of a malfunction, these operating instructions contain information on how to rectify faults yourself, see "Something not working" section.

For further assistance contact your local AEG Service Force Centre, see the chapter "Service & Spare Parts".

Printed on paper manufactured with environmentally sound processes.
He who thinks ecologically acts accordingly...

Contents

Safety instructions	4
Disposing of packaging and old machines	6
Disposing of the packaging	6
Disposing of your old machine	7
Economical and ecological dishwashing	7
Description of the appliance	8
The inside of the appliance	8
Control panel	9
Before using your dishwasher for the first time	10
Setting the water hardness range	10
Filling with special salt	12
The rinse aid	13
Loading cutlery and dishes	15
The lower basket	16
Cutlery basket	17
The upper basket	17
Adjusting the height of the upper basket	18
Use of detergent	19
Different kinds of detergent	20
Washing programmes	22
Operating instructions	24
Maintenance and cleaning	27
Internal and external cleaning	27
Cleaning the filters	27
Something not working	29
Service & Spare Parts	31
Customer Care	31
Guarantee Conditions	32
European Guarantee	33
Hints for test centres	34
Technical data	35
Installation and connection instructions	36
Fitting under a counter	36
Levelling	36
Connecting to the water supply	37
Water outlet connection	37
Extension hoses	38
Water protection system	38
Electrical connection	38



Safety instructions

The safety of AEG electrical appliances conforms to accepted rules of technology and the Appliance Safety Act. We as manufacturers, however, see ourselves as being obliged to familiarise you with the following safety instructions.

Using your dishwasher for its intended purpose

- Only use your dishwasher for machine washing of household crockery. If your machine is misused or used for any purposes other than that for which it is intended, the manufacturer cannot be held liable for any damage caused.
- For safety reasons, you should not convert or modify your dishwasher in any way.

Before using your dishwasher for the first time

- Check your dishwasher for any transport damage. Never connect a damaged machine. If your dishwasher is damaged, you should contact your supplier.
- Your dishwasher must be correctly installed and connected. Please read the section on "Installation" to make sure you know all about this.
- Before using your dishwasher for the first time, do not forget that the nominal voltage and current type indicated on the rating plate of your machine must be the same as the nominal voltage and current type at the installation site. The necessary electrical rating is also given on the rating plate.

Child safety

- Packaging parts (e.g. foils, styrene foam) may be dangerous for children, who could even be suffocated! You should therefore keep all packaging well away from children.
- Children may not recognise the dangers of improper use of electrical appliances. You should therefore ensure proper supervision during operation and not allow your children to play with your dishwasher.
- Detergents may have a caustic effect on eyes, mouth and throat and may even cause suffocation! Keep all detergents in a safe place out of children's reach.
- The water in your dishwasher should not be used for drinking. Detergent residues may still be present in your machine. Keep children well away from your dishwasher when its door is open.

Your dishwasher in day-to-day use

- Never operate your dishwasher if the electrical supply lead, supply or drain hose, control panel, worktop or plinth are damaged.
- If there is a fault, first turn the water tap off. Then switch off your machine and pull the plug out of the socket. If there is a fixed connection, switch off or unscrew the fuse(s).
- Never pull the plug out of the socket by the cable - always hold the plug.
- Dishwasher repairs should only be performed by trained personnel. Improper repairs may seriously endanger the user. If your dishwasher needs to be repaired, you should contact your local AEG Service Force Centre or your retailer.
- Never place any solvents in your dishwasher or you may cause an explosion!
- Do not rest or sit on the open door as the machine could tilt.
- Before using special dishwasher salt, detergent or rinse-aid, make sure that the manufacturer of these products expressly specifies their use in domestic dishwashers.
- Always turn off the water tap when your dishwasher is left unattended for any length of time, e.g. when you are away on holiday.
- Only transport the dishwasher in an upright position. Tipping it upside down during transport could cause salty water to leak into the internal compartment and lead to the formation of rust.

Disposing of packaging and old machines

Disposing of the packaging

Our dishwashers require effective protective packaging in transit, though we always confine ourselves to what is absolutely necessary.



Warning! Packaging parts (e.g. foils, styrene foam) may be dangerous for children and can cause suffocation. You should therefore keep all packaging well away from children.

All packaging materials used are environmentally compatible and reusable.

The cardboard parts are produced from recycled paper, and the wood is untreated.

The plastics are marked as follows:

- >PE< for polyethylene, e.g. packaging foils.
- >PS< for polystyrene, e.g. padding (essentially CFC-Free).
- >POM< for polyoxymethylene, e.g. plastic clamps.

Give the packaging for reuse to your local recycling centre. Your municipal or local authority will give you its address.

Disposing of your old machine

When your machine finally reaches the end of its life and you withdraw it from service, you should render it unserviceable before having it disposed of.



Warning! Children at play could lock themselves in your machine (and suffocate) or otherwise endanger their lives. Therefore **pull out the main plug and detach and discard the electrical supply lead.** Disable the door lock so that the door no longer closes.

Marking of plastic parts for graded recycling: all plastic parts in your machine are marked with internationally standardised abbreviations (e.g. <PS> for polystyrene). When your machine is disposed of, this enables plastic waste to be sorted into individual types for environmentally conscious recycling.

Check with your local Council or Environmental Health Office to see if there are facilities in your area for recycling the appliance.

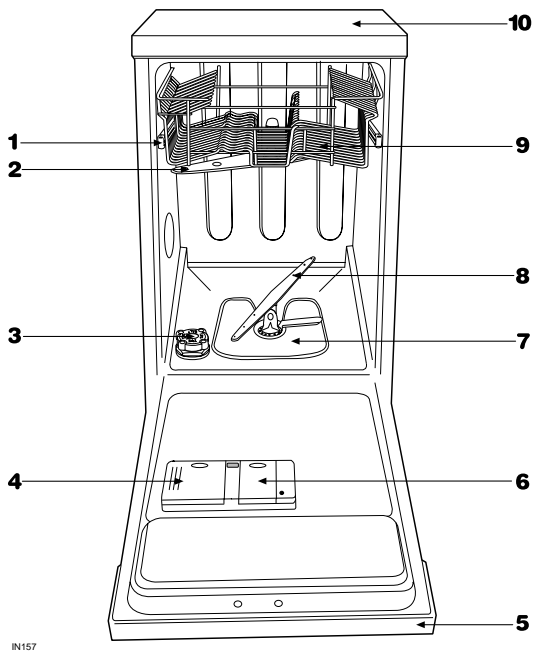


Economical and ecological dishwashing

- Ensure that the water softener is correctly adjusted.
- Do not pre-rinse under running water.
- Select the wash programme to suit the nature and degree of the soiling on the dishes.
- Do not use more detergent, special salt or rinse aid than is recommended in these operating instructions and by the manufacturer of the respective product.

Description of the appliance

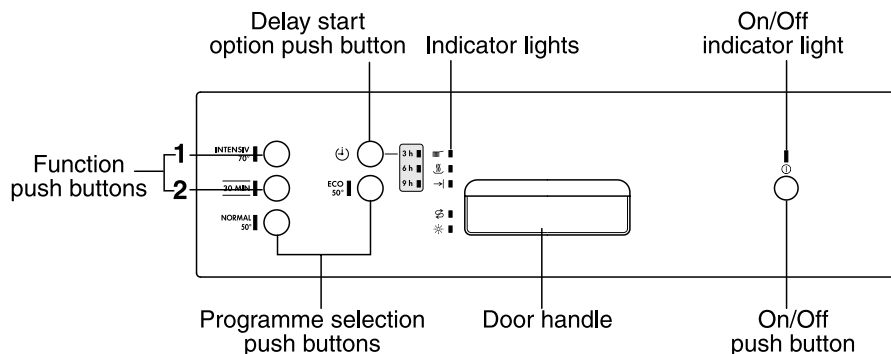
The inside of the appliance



IN157

1. Upper basket stop
2. Upper spray arm
3. Salt container
4. Detergent dispenser
5. Control panel
6. Rinse aid dispenser
7. Filters
8. Lower spray arm
9. Upper basket
10. Worktop

Control panel




Function push buttons: in addition to the dishwashing programme selected, the following functions can also be set with the help of these push buttons.

Function push button 1 Set water softener

Function push button 2 Deactivate/reactivate rinse aid indicator light

“Delay start” push button: This option allows the start of the programme to be delayed by 3, 6 or 9 hours.

Indicator lights: have the following meaning

 **salt refilling indicator light**, illuminates when the salt has run out.

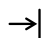
 **rinse aid refilling indicator light**, illuminates when the rinse aid has run out.

The salt and rinse aid indicator lights are never illuminated while a washing programme is running even if filling with salt and rinse aid is necessary.

Phase indicator lights: have the following meaning

 **washing:** illuminates when the washing phase is running

 **drying:** illuminates when the drying phase is running

 **end of programme:** illuminates when the washing programme has ended

As soon as you select a washing programme, the phase indicator lights for that programme will start flashing.

As the programme starts, the phase indicator lights turn off except for the indicator light of the phase in progress which will remain lit with a static light

Before using your dishwasher for the first time

1. Ensure that the electrical and water connections comply with the installation instructions.
2. Remove all packaging from inside the appliance.
3. Set the water softener.
4. Pour 1 litre of water inside the salt container and then fill with salt.
5. Fill the rinse-aid dispenser.

Setting the water hardness range

The dishwasher is equipped with a water softener designed to remove minerals and salts from the water supply, which would have a detrimental or adverse effect on the operation of the appliance.

The higher the content of these salts, the harder your water is.

Water hardness is measured in equivalent scales, Clarke, French degrees and PPM (parts per Million).

The softener should be adjusted according to the hardness of the water in your area. Your local Water Authority can advise you on the hardness of the water in your area.

The dishwasher is factory set at level 3.

If this level is not suitable for your area the softener should be adjusted.

Level	Water hardness			Use of salt
	Clarke degrees	°TH (french degrees)	PPM (parts per million)	
1	< 6	< 8	< 80	NO
2	6 - 21	8 - 30	80 - 300	YES
3	22 - 35	31 - 50	301 - 500	YES
4	36 - 49	51 - 70	501 - 700	YES
5	50 - 63	71 - 90	701 - 900	YES

If your water is level 1 it is already soft and therefore there is no need to use salt. With the setting of the water softener at level 1 the salt indicator light on the control panel will always remain off.

Use salt from level 2 upwards.

To select a different level be sure that the dishwasher is off and then proceed as follows:

1. Press function push buttons **1** and **2** simultaneously.
2. While keeping the function push buttons **1** and **2** pressed, switch on the dishwasher by pressing the On/Off push button. The On/Off indicator light comes on. At the same time, the indicator lights of the function push buttons **1** and **2** start flashing.

Press function push button **1**, the indicator light of the function push button **2** turns off, while the indicator light of the function push button **1** push button remains static for about 5 seconds and then starts to flash indicating the current level.

The current level is indicated by the number of flashes made by the indicator light of the function push button **1**, that alternates 5 seconds off with a number of flashes, this continues for about 60 seconds.

Example:

- 1 flash = level 1
- 2 flashes = level 2
- 3 flashes = level 3
- 4 flashes = level 4
- 5 flashes = level 5

3. To change the level, press the function push button **1**. Each time the push button is pressed the level changes.

Examples:

If the current level is 3, by pressing the function push button **1** once, level 4 is selected.

If the current level is 5, by pressing the function push button **1** once, level 1 is selected.

The indicator light of the function push button **1** remains off for about 5 seconds after which it starts flashing indicating the new level selected.

4. To memorise the new level, switch off the dishwasher by pressing the On/Off push button.

Filling with special salt

Caution! The packaging of dishwasher salt and detergents are often very similar. The accidental filling of the salt compartment with detergent would ruin the water softener. Each time you add salt, make sure the carton you have in your hand really is salt.



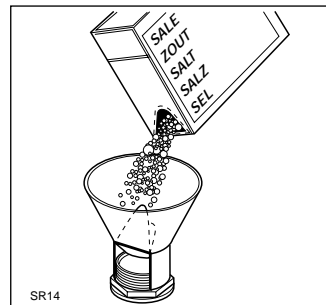
Only use salt specifically designed for use in dishwashers.

All other types of salt not specifically designed for use in a dishwasher, especially table salt, will damage the water softener.

Only fill with salt just before starting one of the complete washing programmes (not the Rinse and Hold programme). This will prevent any grains of salt or salty water, which may have been spilled, remaining on the bottom of the machine for any period of time, which may cause corrosion.

To fill:

1. To fill with salt, unscrew the cap of the salt container.
2. **Pour 1 litre of water inside the container (this is necessary only before filling with salt for the first time).**
3. Using the funnel provided, pour in the salt until the container is full.
Do not worry if water overflows from the unit when filling with salt, this is quite normal.
4. Replace the cap making sure that there is no trace of salt on the screw thread or on the gasket.
5. Screw on the cap tightly.



When this has been done, all that is required is to periodically top up the container with salt.

You are reminded of this by the salt indicator light on the control panel which will illuminate when the salt has finished.

Important!

The salt refill indicator light on the control panel can remain illuminated for 2-6 hours after salt has been replenished, assuming the dishwasher remains on. If you are using salts that take longer to dissolve then this can take longer, the function of the dishwasher is not affected.

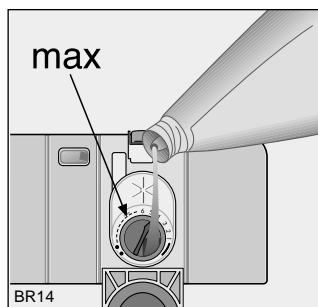
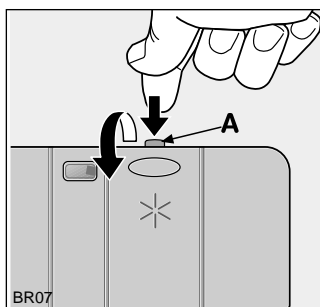
Do not worry if water overflows from the unit when filling with salt, this is quite normal.

The rinse-aid

The rinse-aid ensures brilliant crockery and also helps it to dry. It is automatically added in during the hot rinsing cycle. The storage compartment built in to the inside of the door can hold about 110 ml of rinse-aid, which will be sufficient for between 16 and 40 dishwashing programmes, according to the dosage setting.

Filling up the rinse-aid

1. Open the container by pressing the release button (A).
2. Add the rinse aid until the container is completely full. The maximum level for filling is indicated by "max".



Ensure that the lid is closed after every refill.

Clean up any rinse aid spilt during filling with an absorbent cloth to avoid excess foaming during the next wash.

Attention! Do not put liquid detergent in the rinse aid compartment.

Adjusting the dose

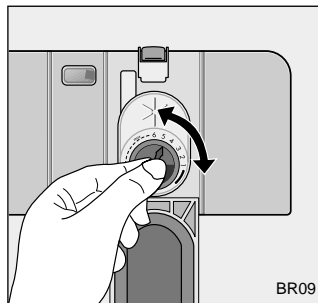
According to the finish and drying results obtained adjust the dose of rinse aid by means of the 6 position selector (C) (position 1 minimum dosage, position 6 maximum dosage).

Use the tip of a screwdriver to rotate the selector.

The dose is factory set in position 4.

Increase the dose if there are drops of water or lime spots on the dishes after washing.

Reduce it if there are sticky whitish streaks on the dishes.



Top up the rinse aid when the rinse aid indicator light on the control panel illuminates.

It is possible to deactivate the rinse aid indicator light (see the following instructions).

By default the rinse aid indicator light is active.

To deactivate the rinse aid indicator light be sure that the dishwasher is off and then proceed as follows:

1. Press function push buttons **1** and **2** programme push simultaneously.
2. While keeping the function push buttons **1** and **2** pressed, switch on the dishwasher by pressing the On/Off push button. The On/Off indicator light comes on. At the same time, the indicator lights of the function push buttons **1** and **2** start flashing.
3. Press the function push button **2**, the correspondent indicator light keeps flashing while the indicator light of the function push button **1** turns off. At the same time the indicator light "**end of programme**" starts to flash.
4. Press the function push button **2** again, the "**end of programme**" indicator light turns off, this means that the rinse aid indicator light has been deactivated.
5. To memorise the operation, switch off the dishwasher by pressing the On/Off push button.

To reactivate the rinse aid indicator light follow the same process until the "**end of programme**" indicator light starts to flash.

Loading cutlery and dishes



Sponges, household cloths and any object that can absorb water must not be washed in the dishwasher.

Do not load very small items which can fall through the baskets.

For washing in the dishwasher the following cutlery/dishes

are not suitable:

- Cutlery with wooden, horn, china or mother of pearl handles.
- Plastic items that are not heat resistant.
- Older cutlery with cement that is not temperature resistant.
- Bonded cutlery items or dishes.
- Pewter or copper items.
- Lead crystal glass.
- Steel items subject to rusting.
- Wooden platters.
- Items made from synthetic fibres.

are of limited suitability:

- Only wash stoneware in the dishwasher if it is specifically marked as being dishwasher-safe by the manufacturer.
- Glazed patterns may fade if machine washed frequently.
- Silver and aluminium parts have a tendency to discolour during washing.
Left-overs, e.g. egg white, egg yolk and mustard often cause discolouring and staining on silver. Therefore always clean left-overs from silver immediately, if it is not to be washed straight after use.
- Some types of glass can become dull after a large number of washes.

Attention!

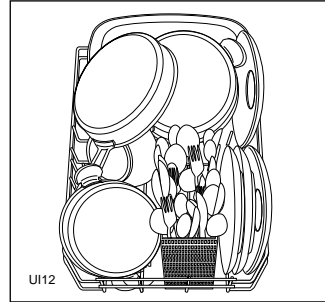
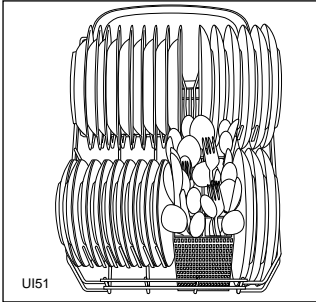
When buying new dishes, ensure that they are dishwasher proof.

Before placing dishes in the machine, remove any scraps of food, to avoid clogging the filters and consequently reducing the performance.

Open the door and slide out the baskets.

The lower basket

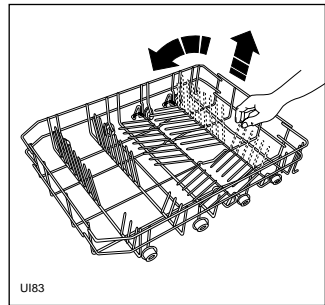
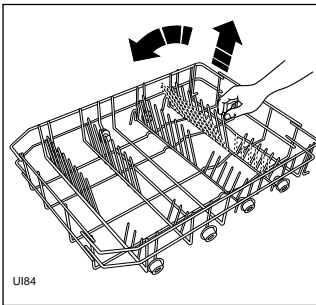
The lower basket is designed to take saucepans, lids, plates, salad bowls, cutlery etc. Serving dishes and large lids should be arranged around the edge of the basket, ensuring that the upper spray arm can turn freely.



The two rear rows of prongs on the lower basket can be easily lowered to allow you to load pots, pans and bowls.

To lower the prongs:

1. Slightly pull them upward and let them drop down (see picture).
2. To bring them back to the standing position, just pull them up again.



Long bladed knives stored in an upright position are a potential hazard.

Long and/or sharp items of cutlery such as carving knives must be positioned horizontally in the upper basket.

Take care when loading or unloading sharp items such as knives.

Cutlery basket

Place forks and spoons in the cutlery basket with their handles pointing downwards, and knives with their handles pointing upwards.

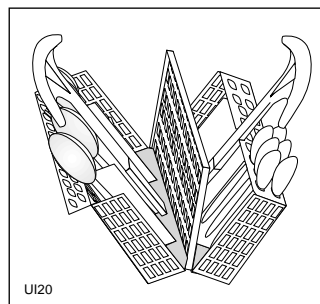
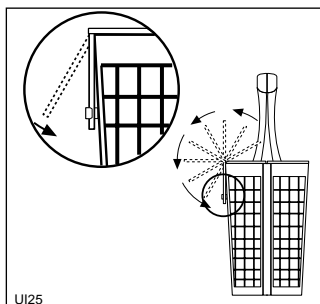
Arrange cutlery loosely and distribute it in all compartments so that each individual article has good contact with washing water. Also do not arrange spoons and forks with their dirty side in contact with each other.

Important! Exceptionally long cutlery, such as soup ladles, kitchen knives, or the like, may obstruct the upper spray arm. Such cutlery can be placed in the upper basket.

To unload your dishwasher more easily, you can take the cutlery basket out of the lower basket and unfold it. This makes it easier to remove small pieces of cutlery.

Important note! To prevent the full cutlery basket from inadvertently unfolding when being taken out, place your hand right round the two-piece handle and hold it firmly.

1. Place the cutlery basket on a firm support (table, worktop) and unfold both handle parts.
2. After unloading, fold back both handle parts.



The upper basket

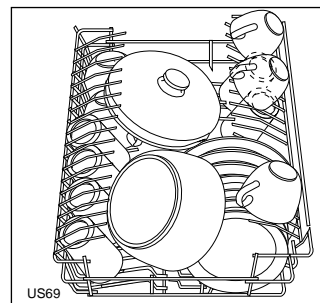
The upper basket is designed for plates (dessert plates, saucers, dinner plates up to 24 cm in diameter), salad bowls, cups and glasses; these should be arranged as shown in the pictures.

Glasses with long stems can be placed upside-down in the cup-racks.

The cup-rack on the left folds upwards to increase your loading flexibility.

Arrange items on and underneath the fold-down cup racks so that water can reach all surfaces.

Light items (plastic bowls etc.) must be loaded in the upper basket and arranged so they do not move.



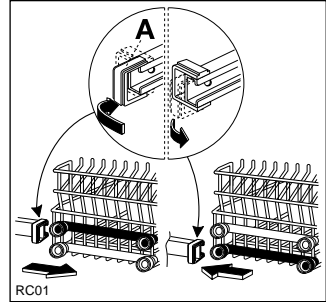
Before closing the door, ensure that the spray arms can rotate freely.

Adjusting the height of the upper basket

If washing very large plates (over 27 cm and up to 31 cm in diameter) you can load them in the lower basket after moving the upper basket to the higher position.

To move to the higher position proceed as follows:

1. Move the front runner stops (A) of the upper basket outwards and slide the basket out.
2. Refit the basket in the higher position and replace the stops (A) in their original position.



Attention!

When the top basket is in the higher position it will only take plates up to 20 cm in diameter and you will not be able to use the cup racks.



After loading your machine always close the door, as an open door can be a hazard.

Use of detergent

Only use detergents specifically designed for use in dishwashers.

We recommend the use of **Finish** detergents.

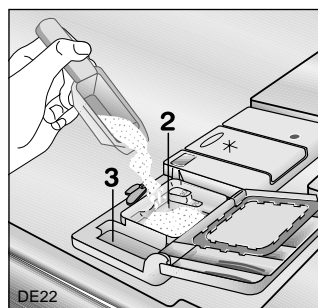
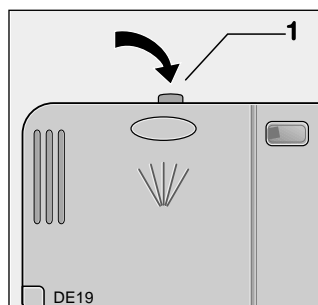
Using no more than the correct amount of detergent contributes to reducing pollution.

Prior to the start of a wash programme. The detergent is released during the washing phase.

Please observe the manufacturer's dosing and storage recommendations as stated on the detergent packaging.

Fill with detergent

1. If the lid is closed: press release button (1).
The lid springs open.
2. Fill the detergent dispenser (2) with detergent.
The marking indicates the dosing levels:
20 = approximately 20 g of detergent
30 = approximately 30 g of detergent
3. For all programmes with prewash, an additional detergent dose (5/10 g) must be placed in the adjacent chamber (3).
4. Close the lid and press until it locks in place.



Remember that insufficient quantities of detergent will produce poor washing results whereas an excessive amount of detergent does not improve washing results and is also wasteful.

Different kinds of detergent

Detergent tablets

Detergent tablets of different brands dissolve at different speeds. For this reason some detergent tablets cannot dissolve and develop their full cleaning power during short programmes. Therefore please use long programmes when using detergent tablets, to ensure the complete removal of detergent residuals.

Do not place the tablets in the tub or in the cutlery basket as this will result in poorer wash results. The tablets should be placed in the detergent dispenser.

Concentrated detergent

Based on their chemical composition, dishwasher detergents can be split into two basic types:

- conventional, alkaline detergents with caustic components.
- low alkaline concentrated detergents with natural enzymes.

The use of 50°C washing programmes in conjunction with concentrated detergents reduces pollution and is good for your dishes; these wash programmes are specially matched to the dirt-dissolving properties of the enzymes in the concentrated detergent. For this reason 50°C wash programmes in which concentrated detergents are used can achieve the same results that can otherwise only be achieved using 65°C programmes.

Combi detergents

If you are using dishwasher detergent that includes the rinse aid function, this must be placed in the detergent compartment.

In this case the rinse aid compartment must be empty in order to avoid a double dosage.

If in the rinse aid dispenser there is still rinse aid you must wait until it has finished before using detergent that contains rinse aid.

Use of "3 in 1" combi detergents

General advice

These products are detergents with integrated and combined detergent/rinse-aid and salt functions.

1. Before using these products you should first check that the water hardness in your supply is compatible with the use of these products as per the detergent manufacturers (on the product packaging).
2. These products should be strictly used according to the detergent manufacturers instructions.
3. If you encounter problems when using 3 in 1 products for the first time then please contact the detergent manufacturers care line (the telephone number is given on the product packaging).

Special advice

When using combination 3 in 1 products select the lowest possible setting for water hardness.

If you decide to turn back to the use of the standard detergent system we advise that you:

- Refill both the salt container and rinse aid dispenser.
- Switch the water hardness setting to the highest possible position and run a normal washing programme without a load.
- Readjust the water hardness setting again according to the hardness of the water in your area.

For best results we recommend the use of Finish detergents, rinse aid and salt.



Washing programmes

Programmes	Type of soil Type of load	Required programme push button	Cycle description
Intensive 70°C	Heavy soil. Crocery, cutlery, pots and pans	INTENSIVE 70°	Hot prewash Main wash up to 70°C 2 cold rinses 1 hot rinse Drying
(1) 30 minutes 60°C	Fresh soil. Crocery and cutlery	30 MIN	Main wash up to 60°C 1 hot rinse
(2) Normal 50°C	Normal soil. Crocery and cutlery	NORMAL 50°	Cold prewash Main wash up to 50°C 1 cold rinse 1 hot rinse Drying
(3) Eco 50°C	Normal soil. Crocery and cutlery	ECO 50°	Cold prewash Main wash up to 50°C 1 cold rinse 1 hot rinse Drying

1. Ideal for washing crockery and cutlery of breakfast and dinner (**fresh soil**).
Characterised by a short duration.
This is the perfect daily programme, made to meet the needs of **4 persons** who only wish to load breakfast and dinner crockery and cutlery.
2. In this programme the appliance is fitted with a special device "**SENSORLOGIC**".
This device allows the dishwasher to automatically individuate if the baskets are full loaded or not and consequently reduce the washing temperature and time duration of the programme.
This allows to obtain a saving in energy and time.
3. Testing programme for EN 50242 (see "Hints for Test Centres").
This programme, developed for the use of detergents with enzymes, allows you to achieve, with reduced consumption of energy the same cleaning results that would otherwise be obtained only with the 65°C programmes and conventional detergents. To compensate for the lower temperature, the duration of washing and drying have been extended.



Approximate values (4)		
Programme duration (in minutes)	Energy consumption (in kWh)	Water consumption (in litres)
94 - 104	1,89	18
35 - 25	0,79	9
80 - 90	0,99	14
125 - 135	0,8	14

Approximate values (4)			
Normal 50°C with "SENSORLOGIC"	Programme duration (in minutes)	Energy consumption (in kWh)	Water consumption (in litres)
	85 - 75	0,89	14

4. The times and consumption values are intended as a guide, and depend on the pressure and temperature of the water and also by the variations of the power supply.

Operating instructions

1. Check the filters

Ensure they are clean and properly positioned (see "Maintenance and cleaning").

2. Press the On/Off push button

The On/Off indicator light will come on.

3. Check that there is rinse aid and salt

The corresponding indicator lights will illuminate if refilling is necessary.

4. Load the dishes

Remove any scraps of food.

Pull the lower basket out and arrange the saucepans, plates and cutlery in it.

Pull the upper basket out and arrange the plates, saucers, glasses and cups etc. in it.

Slide the baskets back into the machine.

5. Ensure that the spray arms can rotate freely.

6. Measure out detergent

Add the required amount of detergent into the dispenser according to the recommended quantity given in the Washing programmes chart.

Close the detergent dispenser lid.

7. Close the dishwasher door

8a. Setting and starting the programme without "Delay Start"

Press the push button corresponding to the required programme: the indicator light corresponding to the programme illuminates and the phase indicator lights for that programme start flashing.

The start of the programme will occur after about 6 seconds from the last pressure of a push button, in this time it is possible to change programme simply pressing the push button of another programme.

Once the programme has started the phase indicator lights will turn off except for the phase under way.

It is possible to interrupt the programme by:

- opening the door
- pressing the On/Off push button (in this case all the indicator lights turn off)

Close the door again or press the On/Off, the programme will start from the point in which it was interrupted.

8b. Setting and starting the programme with “Delay Start”

The setting of the delay start occurs before selecting the programme.

Select the desired time (3, 6 or 9 hours) by pressing the “Delay Start” push button until the indicator light corresponding to the chosen hours flashes.

Press the push button corresponding to the required programme: the indicator light corresponding to the programme illuminates and the phase indicator lights for that programme start flashing.

The start of the countdown will occur after about 6 seconds from the last pressure of a push button.

The countdown will decrease with step of 3 hours and you are informed of this by the indicator lights of the “Delay Start”.

During the countdown the only indicator lights illuminated are the programme light and the light of the number of hours to the start of the programme.

Once the delayed time has elapsed the programme will start automatically.

It is possible to stop a countdown in progress or before it starts, simply pressing the “Delay Start” push button until the indicator lights of the hours are off.

9. To cancel a programme in progress

A programme in progress can be cancelled at any time.

Press for about 3 seconds the push button of the running programme until all indicator lights are off.

Only the On/Off indicator light will remain on once the programme has been cancelled.

It is now possible to select a new washing programme.

10. At the end of the washing programme

The dishwasher will automatically stop and the phase indicator light “end of programme” will come on.

The indicator light of the programme just ended will remain on.

The dishwasher has finished the programme **ONLY** when the “end of programme” indicator light is illuminated.

If you do not wait for the end of the programme it is not possible to start a new programme without cancelling the previous one first. (For instructions on how to cancel a programme see point 9).

If during the drying phase (drying phase indicator light illuminated) the dishwasher door is opened or the On/Of push button is pressed, the running programme is automatically cancelled.

In this case the machine returns to setting mode and it is possible to select a new washing programme without cancelling the previous.

Switch off the dishwasher by pressing the On/Off push button.

Wait a few minutes before opening the dishwasher's door; in this way they will be cooler and the drying will be improved.

Empty the lower basket first and then the upper one; this will avoid water dripping from the upper basket onto the dishes in the lower one.



Caution!

In general it is not advisable to open the door while the machine is working; if the door is opened however, a safety device ensures that the machine stops.

Care must be taken if the door is opened during the hot phase or immediately after a programme has finished, as steam may escape.

When the washing programme has finished, it is recommended that the dishwasher is unplugged and the water tap turned off.

Maintenance and cleaning

Internal and external cleaning



Do not under any circumstances use furniture care products or aggressive cleaners.

If necessary, only clean the controls with a soft cloth and clean warm water.

The spray arms do not need cleaning.

Occasionally check the internal containers, door seal and water inlet for soiling, clean if necessary.

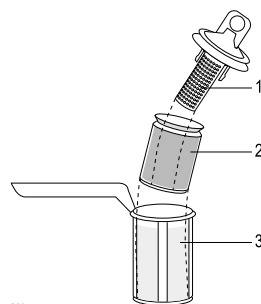
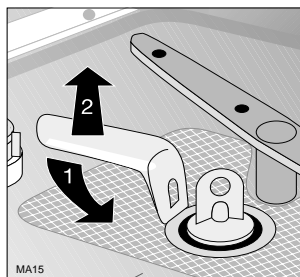
We recommend the use of **Finish Dishwasher Cleaner** every 3 months or run a 65°C wash programme without dishes using detergent.

Regular use of **Finish Dishwasher Cleaner** cleans inaccessible parts, eliminates unpleasant food odours and helps prevent the build-up of limescale.

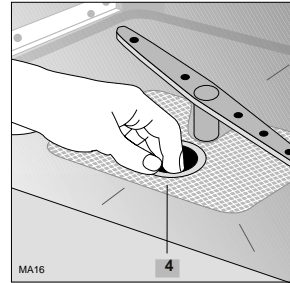
Cleaning the filters

The filters in the base of the washing compartment are to a large extent self-cleaning. Nevertheless the filters should be checked and cleaned from time to time. Dirty filters will degrade the washing result.

1. Open the door, remove the lower basket.
2. The dishwasher filter system comprises a coarse/fine filter, microfilter and a flat filter. Unlock the filter system using a handle on the microfilter, and remove.
3. Turn the handle about $\frac{1}{4}$ a turn anticlockwise and remove.
4. Take hold of the coarse/fine filter (1/2) by the handle with the hole and remove from the microfilter (3).
5. Clean all filters thoroughly under running water.



6. Remove the flat filter (4) from the base of the washing compartment and clean both faces thoroughly.
7. Put the flat filter back in the base of the washing compartment.
8. Place the coarse/fine filter in the microfilter and press together.
9. Put the filter combination in place and lock by turning the handle clockwise to the stop.
During this process ensure that the flat filter does not protrude above the base of the washing compartment.



The dishwasher must not be used without filters.
Incorrect repositioning and fitting of the filters will produce poor washing results.
Cleaning the filters is vital to ensure correct operation of the machine.

Something not working

Certain problems are due to lack of simple maintenance or oversights, which can be solved easily without calling out an engineer.

The dishwasher is fitted with a number of alarm systems which can help you to quickly determine the cause of any problems such as; the dishwasher will not start or stops during operation, all push buttons are inoperative except for the On/Off push button or the indicator light of the programme underway and one or more of the phase indicator lights (washing, drying, end of programme) are flashing.

Press the On/off push button to switch off the dishwasher and carry out the following suggested corrective actions listed below.

Important: If you call out an engineer to a fault listed below or to repair a fault caused by incorrect use or installation a charge will be made, even if the appliance is in guarantee.

Symptom	Fault code	Solution
The machine will not start		<ul style="list-style-type: none">• The door has not been properly closed.• The plug is not properly inserted in the power socket.• There is a power failure.
The machine does not fill with water	"washing" phase indicator light is flashing	<ul style="list-style-type: none">• Ensure the water tap is open.• Ensure the mains water supply has not been cut off.• The inlet hose may be squashed or bent. Reposition the hose.• The inlet hose may be blocked. Switch off the water supply and clean the filter.
The dishwasher will not drain	"drying" phase indicator light is flashing	<ul style="list-style-type: none">• The drain hose may be squashed or bent. Reposition the hose.• The sink may be blocked. Clear any blockages.• The drain hose extension is not correct. Follow the instructions for connecting to the waste.• There is no vent in the end of the drain hose.
Protection against flooding is active	"drying" and "washing" phase indicator lights are flashing	<ul style="list-style-type: none">• Close the water tap and contact the Service Force Centre.
General	One or more phase indicator lights are flashing	<ul style="list-style-type: none">• Switch off the dishwasher, switch it back on and start the programme. If the alarm reappears, call the Service Force Centre.

Symptom	Fault code	Solution
The machine is noisy		<ul style="list-style-type: none"> • Dishes are rattling against each other. Refer to "Loading cutlery and dishes". • The spray arms are knocking against the dishes. Refer to "Loading cutlery and dishes".
The door is difficult to close		<ul style="list-style-type: none"> • The dishwasher is not level, or not properly built-in.
Visible lime deposits or white film on the dishes		<ul style="list-style-type: none"> • Check that there is salt and that the salt cap is tight. • Check that the right level of the water softener is set.
The dishes are not quite dry		<ul style="list-style-type: none"> • The rinse aid has run out or too little is being used.
The dishes are not clean (poor wash)		<ul style="list-style-type: none"> • The baskets are too full. • The dishes have not been arranged properly. • The spray arms do not rotate. • The spray arms are clogged. • The filters are clogged. • The filters are not in right position. • Not enough detergent has been used or it is unsuitable. • The detergent is too old or has gone hard. • The salt container cap is not properly closed. • The washing programme selected is too gentle.

Once the checks have been carried out switch on the dishwasher and start a washing programme, if the fault code reappears in the digital display, contact your local Service Force Centre.

Service & Spare Parts

In the event of your appliance requiring service, or if you wish to purchase spare parts, contact your local AEG Service Force Centre by telephoning

08705 929 929

Your call will be automatically routed to the Service Centre covering your post code area.

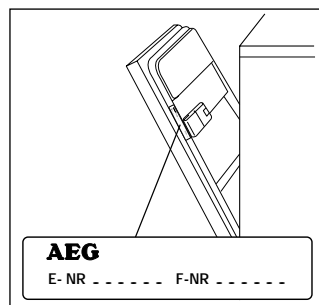
For the address of your local Service Force Centre and further informations about Service Force, please visit the website at www.serviceforce.co.uk

Help us to help you

Please determine your type of enquiry before writing or telephoning. When you contact us we need to know,

- 1 Your name, address and post code
- 2 Your telephone number
- 3 Clear and concise details of the fault code
- 4 Date of purchase
- 5
 - E-NR (product number)
 - F-NR (serial number)

This information can be found on the rating plate located on the right inside edge of the door.



Customer Care

For general enquiries concerning your AEG appliance, or for further information on AEG products, you are invited to contact our Customer Care Department by letter or telephone at the address below or visit our website at www.aeg.co.uk

Customer Care Department
AEG Domestic Appliances
55-77 High Street
Slough
Berkshire
SL1 1DZ

Tel.: 08705 350350 (*)

** calls to this number may be recorded for training purposes*

Guarantee Conditions

Standard Guarantee Conditions

We, AEG, undertake that if within 12 months of the date of purchase this AEG appliance or any part thereof is proved to be defective by reason only of faulty workmanship or materials, we will, at our option repair or replace the same FREE OF CHARGE for labour, materials or carriage on condition that:

- The appliance has been correctly installed and used only on the electricity or gas supply stated on the rating plate.
- The appliance has been used for normal domestic purposes only, and in accordance with the manufacturer's instructions.
- The appliance has not been serviced, maintained repaired, taken apart or tampered with by any person not authorised by us.
- All service work under this guarantee must be undertaken by a Service Force Centre. Any appliance or defective part replaced shall become the Company's property.
- This guarantee is in addition to your statutory and other legal rights.
- Home visits are made between **8.30am and 5.30pm** Monday to Friday. Visits may be available outside these hours in which case a **premium** will be charged.

Exclusions

This guarantee does not cover:

- Damage or calls resulting from transportation, improper use or neglect, the replacement of any light bulbs or removable parts of glass or plastic.
- Costs incurred for calls to put right an appliance which is improperly installed or calls to appliances outside the United Kingdom.
- Appliances found to be in use within a commercial environment, plus those which are subject to rental agreements.
- Products of AEG manufacture which are not marketed by AEG.

European Guarantee

European Guarantee

If you should move to another country within Europe then your guarantee moves with you to your new home subject to the following qualifications:

- The guarantee starts from the date you first purchased your product.
- The guarantee is for the same period and to the same extent for labour and parts as exists in the new country of use for this brand or range of products.
- This guarantee relates to you and cannot be transferred to another user.
- Your new home is within the European Community (EC) or European Free Trade Area.
- The product is installed and used in accordance with our instructions and is only used domestically, i.e. a normal household.
- The product is installed taking into account regulations in your new country.

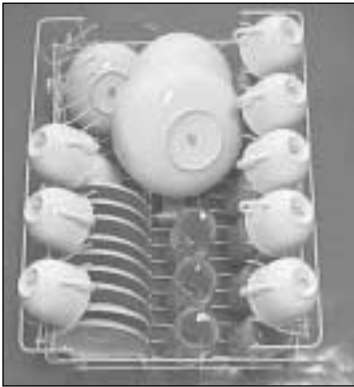
Before you move please contact your nearest Customer Care centre, listed below, to give them details of your new home. They will then ensure that the local Service Organisation is aware of your move and able to look after you and your appliance.

France	Senlis	+33 (0) 344 62 29 29
Germany	Nurnberg	+49 (0) 800 234 7378
Italy	Pordenone	+39 (0) 800 117511
Sweden	Stockholm	+46 (0) 8 672 53 60
UK	Slough	+44 (0)1753 219899

Hints for test centres

Before starting any test it is necessary to fill completely with salt the salt container and with rinse aid the rinse aid dispenser.

Test standard	EN 50242
Reference programme	- Eco 50°C
Load	9 standard place settings
Rinse aid selector	position 4
Detergent dosage	- 20 g in the dispenser - 5 g on the dispenser lid



Arrangement upper basket



Arrangement cutlery basket



Arrangement lower basket

Technical data

Technical specifications

Dimensions	Width	45 cm
	Height with worktop	85 cm
	Height without worktop	82 cm
	Max depth	61 cm
	Max depth with open door	115,9 cm
Electrical connection	220-240 V - 50 Hz	
Motor rating during wash	200 W	
Power of heating element	2100 W	
Overall power	2300 W	
Water supply pressure	Minimum	50 kPa (0.5 bar)
	Maximum	800 kPa (8 bar)
Capacity	9 place settings	



This appliance complies with the following E.E.C. Directives:

- 73/23/CEE of 19/02/73 (Low Voltage Directive) and subsequent modifications;
- 89/336/CEE of 03/05/89 (Electromagnetic Compatibility Directive) and subsequent modifications.

Installation and connection instructions

Fitting under a counter

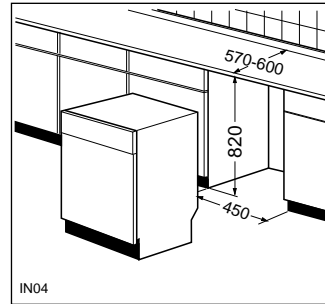
(kitchen worktop or sink)

By removing the machine's worktop, you can install it under a close fitting sink unit or a pre-existing top, providing the dimensions of the recess correspond to those shown in the picture.

Proceed as follows:

- Remove the machine's worktop by unscrewing the two front retaining screws, pull from the front and slide out the rear slots, lifting the worktop.

Insert the machine after adjusting height and levelling with the adjustable feet. When inserting the machine, ensure that the water inlet and drain hoses are not kinked or squashed.

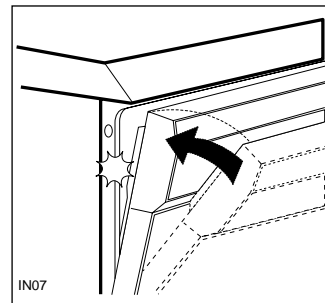
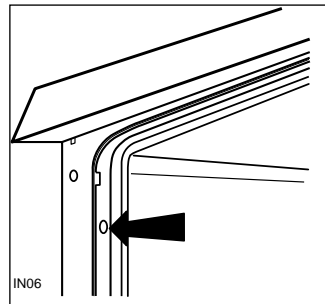


Levelling

Good levelling is essential for correct closure and sealing of the door.

When the appliance is correctly levelled, the door will not catch on the levelling spacers on either side of the cabinet.

If the door does not close correctly, loosen or tighten the adjustable feet until the machine is perfectly level.



Connecting the water supply

- Your dishwasher should be connected to a cold water supply.
- **Never connect** your dishwasher to open hot water appliances and continuous flow heaters!

We advise you use a cold water supply because a hot water supply is not always efficient with very soiled crockery as it shortens the washing programmes.

Do not use, for connection, old hoses which have been used in another appliance.

Avoid bends or kinks in the hose which could prevent or slow down the water supply.

If the machine is connected to new pipes or pipes which have not been used for a long time, you should run the water for a few minutes before connecting the inlet hose. This will prevent deposits of sand or rust clogging the inlet hose.

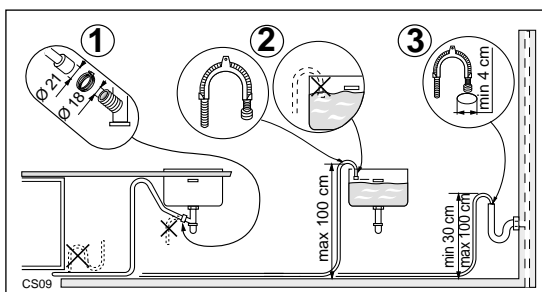
The water pressure must be within the limits given in the technical specifications.

Your dishwasher has been built in accordance with the valid regulations governing water-consuming appliances and is equipped with safety devices which prevent used water from flowing back into the drinking water mains.

Water outlet connection

The end of the drain hose can be connected as follows:

1. To the sink outlet siphon, securing it if necessary with a clip.
2. Hooked over the edge of the sink using the special curved plastic guide provided.
3. To a wall outlet provided with vent-hole, minimum internal diameter 4 cm.



The waste connection must be at a height of between 30 cm (minimum) and 100 cm (maximum) from the floor.

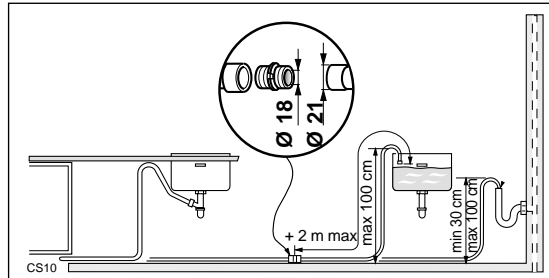
It makes no difference which way the drain hose faces, either to the right or left of the dishwasher.

Avoid bending or kinking the hose as this could prevent or slow down the discharge of water.

Extension hoses

The necessary extension hoses can be obtained from specialist shops or from your local Service Force Centre.

The extension hose must be no longer than 2 metres and its internal diameter must be no smaller than the diameter of the hose provided.



Likewise the internal diameter of the couplings used for connection to the waste outlet must be no smaller than the diameter of the drain hose.

Arrange the extension hose horizontally along the floor and allow it to rise only where it is to be connected to the drain.

Water protection system

To protect your dishwasher from water damage, it is equipped with a water protection system.

In case of malfunction the “**washing**” and “**drying**” phase indicator lights start flashing (see Something not working). In this case turn off the water tap and call the Service Force Centre.

Electrical connection

If the plug that is fitted to your appliance is not suitable for the socket, it must be cut off and the appropriate plug fitted.

Important!

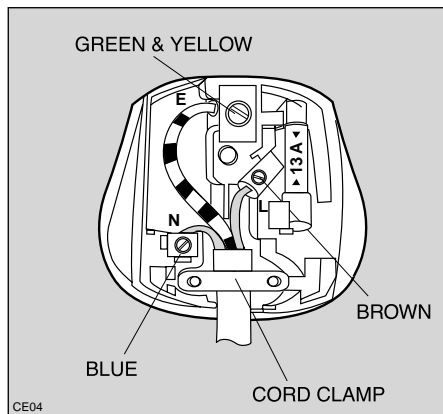
The wires on the mains lead are coloured in accordance with the following code:

- Green and Yellow -Earth
- Blue -Neutral
- Brown -Live

If you fit your own plug, the colours of the wires in the mains lead of your appliance may not correspond with the markings identifying the terminals in your plug.

Proceed as follows:

1. Connect the Green and Yellow (earth) wire to the terminal in the plug which is marked with the letter "E" or the earth symbol \oplus or coloured green and yellow.
2. Connect the Blue (neutral) wire to the terminal in the plug which is marked with the letter "N" or coloured black.
3. Connect the Brown (live) wire to the terminal in the plug which is marked with the letter "L" or coloured red.



The plug moulded onto the lead incorporates a 13amp BS1362 fuse. Only ASTA or BSI fuses should be used.

The plug must not be used if the fuse cover/carrier is lost. The cover/carrier is indicated by the coloured insert at the base of the product.

A replacement cover/carrier must be obtained from your local Service Force Centre.



This appliance must be earthed.

The manufacturer declines any responsibility should this safety measure not be observed.

Warning!

A cut-off plug inserted into a 13amp socket is a serious safety (shock) hazard. Ensure that the cut-off plug is disposed of safely.

 **From the Electrolux Group. The world's No.1 choice.**

The Electrolux Group is the world's largest producer of powered appliances for kitchen, cleaning and outdoor use. More than 55 million Electrolux Group products (such as refrigerators, cookers, vacuum cleaners, chain saws and lawn mowers) are sold each year to a value of approx. 14 billion USD in more than 150 countries around the world.

AEG Hausgeräte GmbH
Postfach 1036
D-90327 Nürnberg

<http://www.aeg.hausgeraete.de>

© Electrolux plc 2003

Subject to change without notice



152968 86/0